

# United States Patent [19]

Kando et al.

[11] Patent Number: **Des. 300,136**

[45] Date of Patent: **\*\* Mar. 7, 1989**

[54] **FACSIMILE**

[75] Inventors: **Masahiro Kando; Tomonori Nishio,**  
both of Tokyo, Japan

[73] Assignee: **Canon Kabushiki Kaisha, Tokyo,**  
Japan

[\*\*] Term: **14 Years**

[21] Appl. No.: **825,884**

[22] Filed: **Feb. 4, 1986**

[30] **Foreign Application Priority Data**

Aug. 9, 1985 [JP] Japan ..... 60-34182

[52] U.S. Cl. .... **D14/118; D18/36**

[58] Field of Search ..... **D14/94, 99, 52, 63;**  
**D16/27, 30, 31, 32; 358/256, 286**

[56] **References Cited**

**U.S. PATENT DOCUMENTS**

D. 292,976 12/1987 Kando ..... D14/94

D. 293,240 12/1987 Hashimoto ..... D14/94

D. 293,574 1/1988 Kando et al. .... D14/94

D. 295,284 4/1988 Kando ..... D16/31 X

*Primary Examiner*—Bernard Ansher  
*Assistant Examiner*—Theodore M. Shooman  
*Attorney, Agent, or Firm*—Fitzpatrick, Cella, Harper &  
Scinto

[57] **CLAIM**

The ornamental design for a facsimile, as shown and described.

**DESCRIPTION**

FIG. 1 is a front elevational view of a facsimile showing our new design;

FIG. 2 is a rear elevational view thereof;

FIG. 3 is a top plan view thereof;

FIG. 4 is a bottom plan view thereof;

FIG. 5 is a left side elevational view thereof;

FIG. 6 is a right side elevational view thereof; and

FIG. 7 is a top, front and left side perspective view thereof.

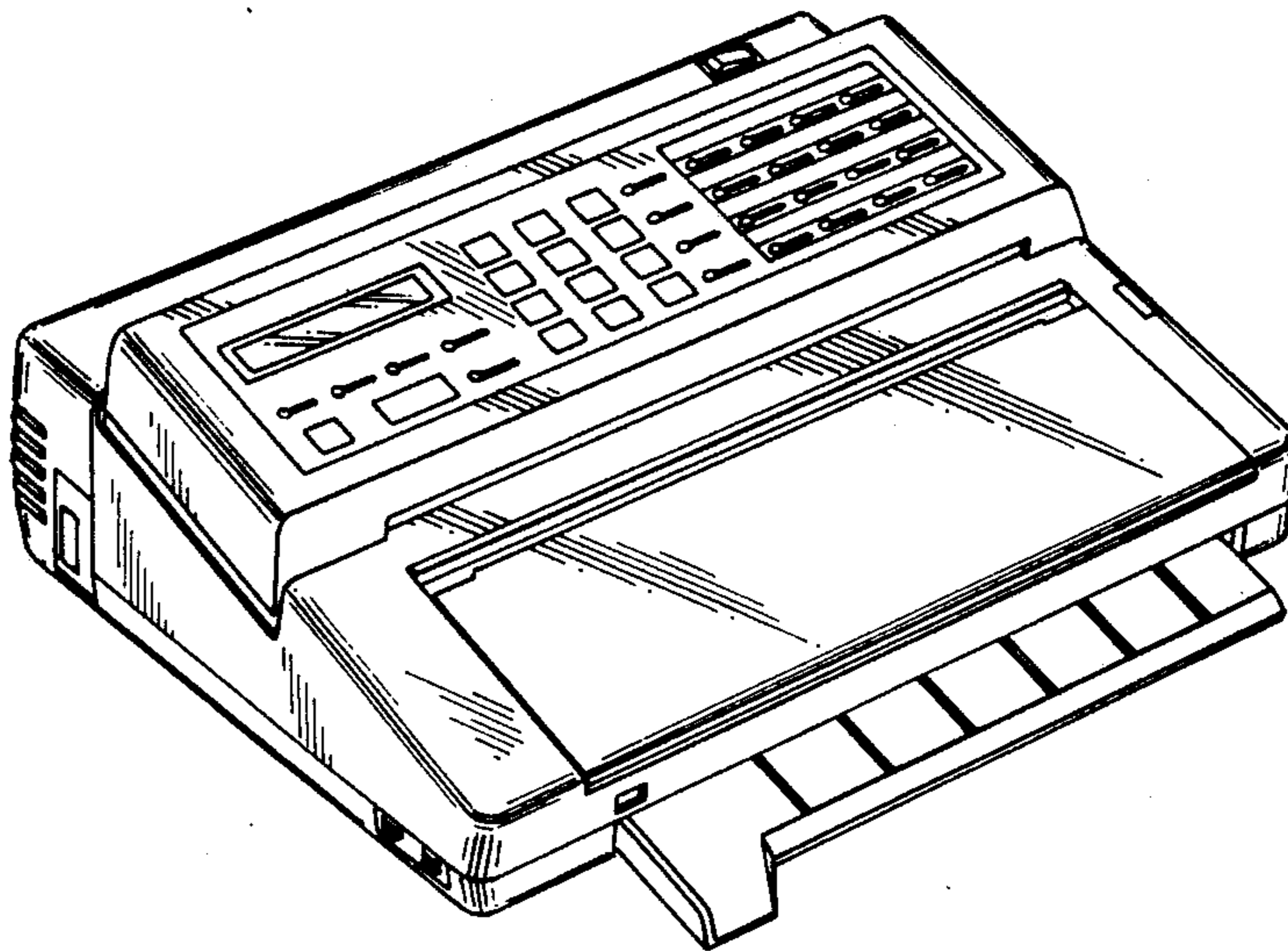


FIG. 1

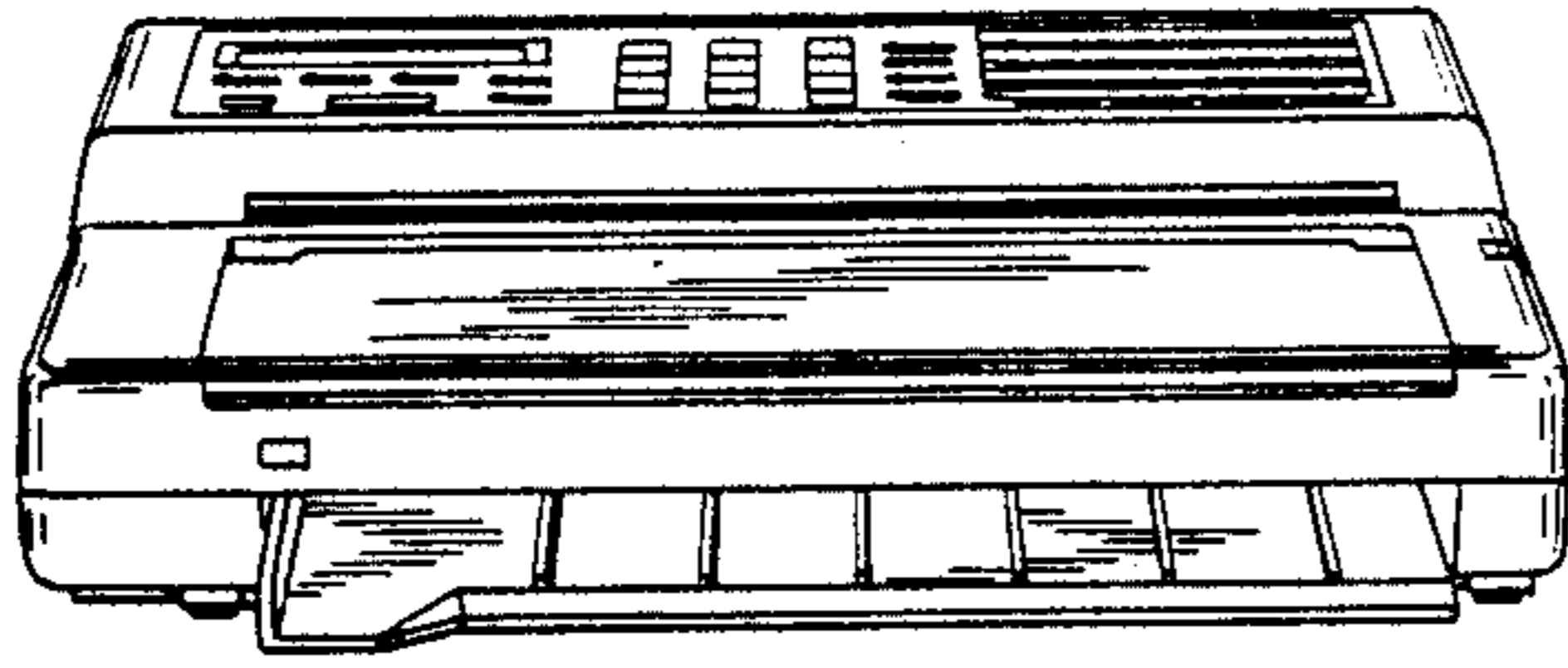


FIG. 2

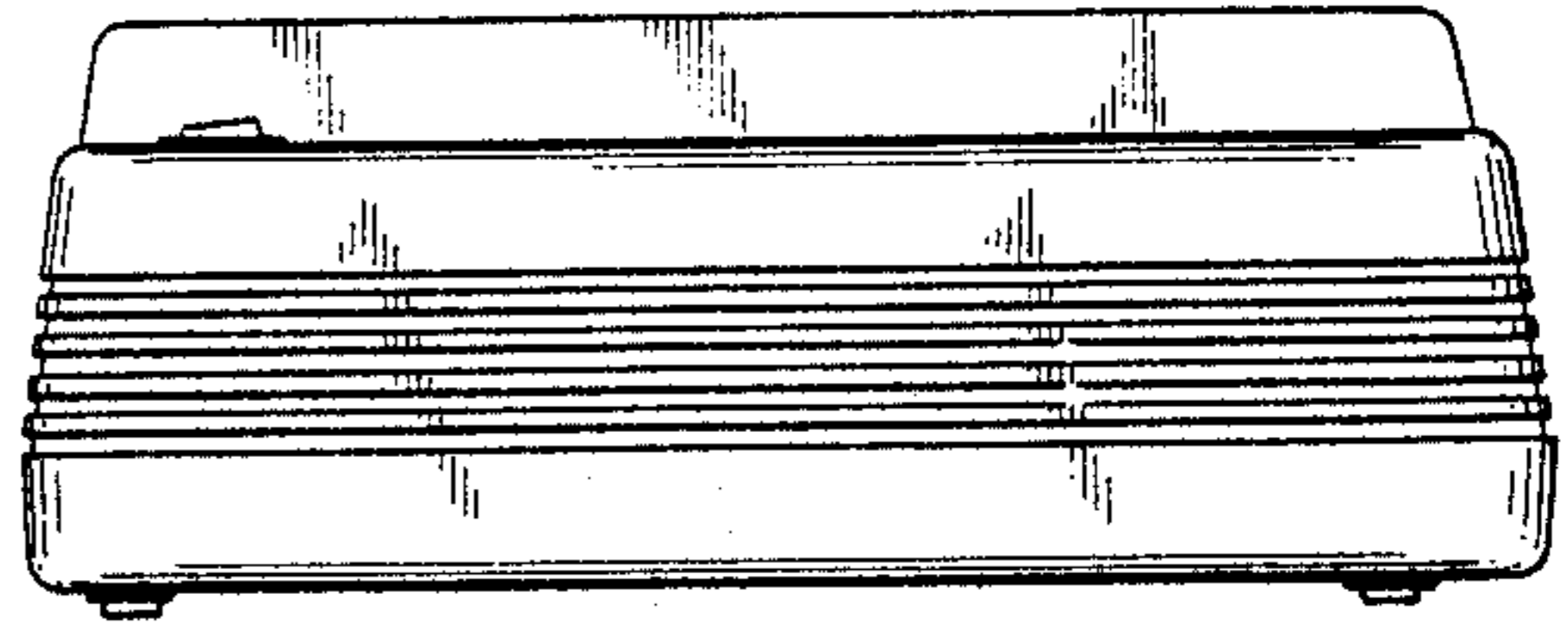


FIG. 3

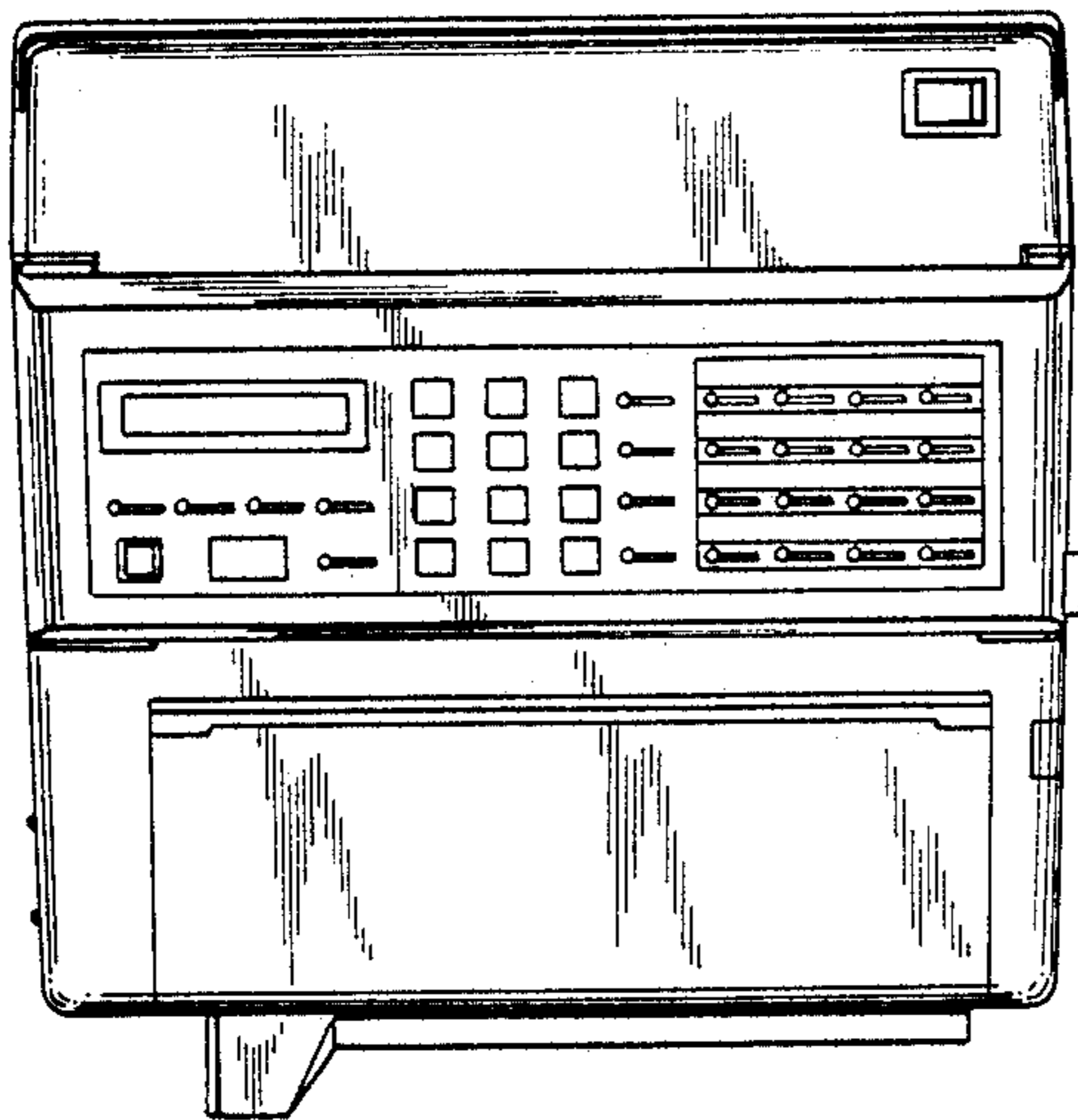


FIG. 4

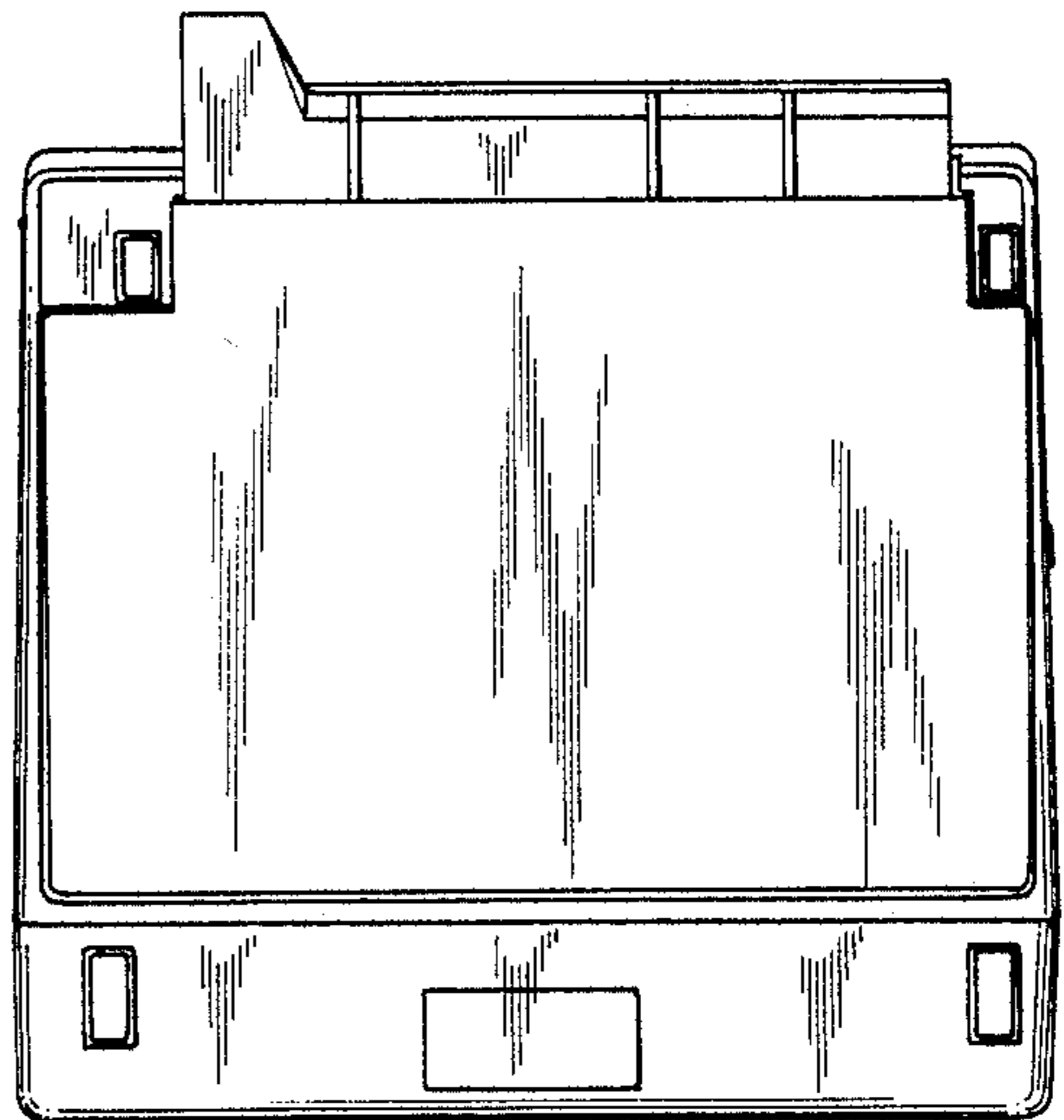


FIG. 5

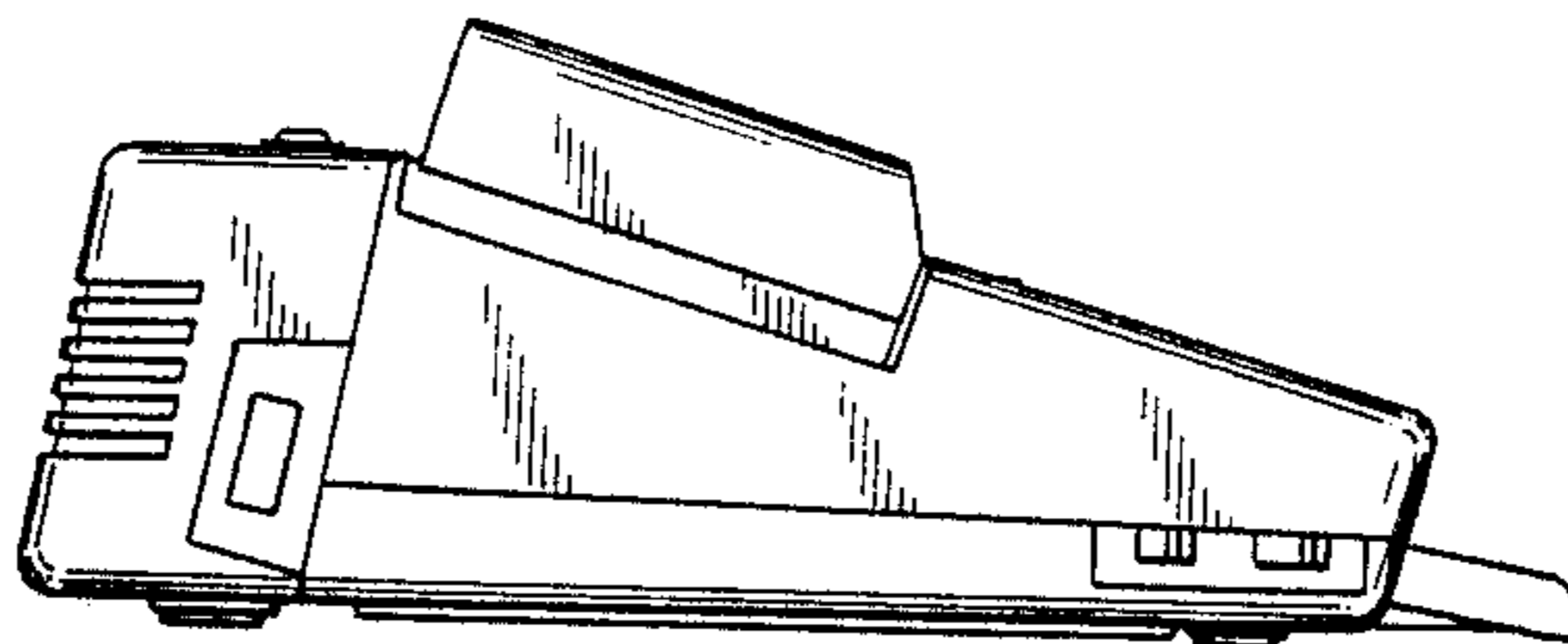


FIG. 6

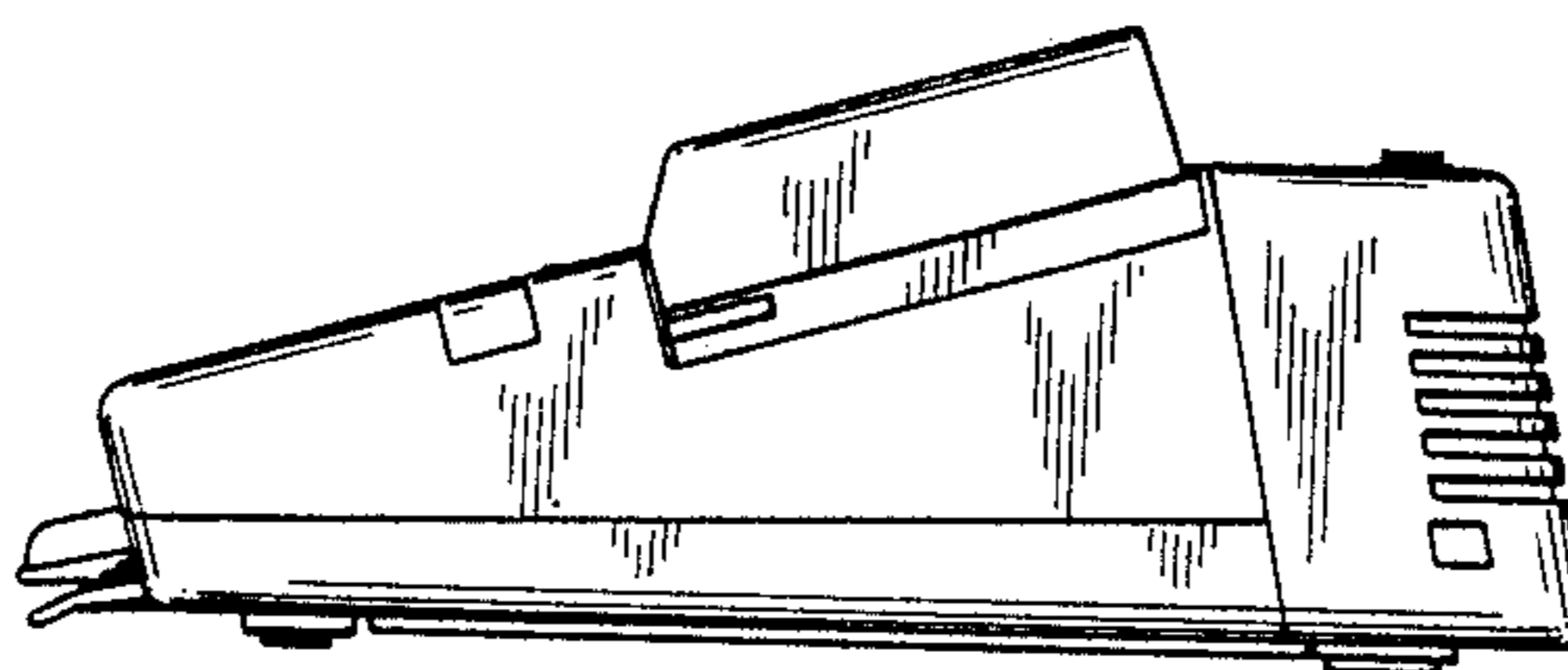


FIG. 7

