

[54] **ILLUMINATED TELEPHONE**

[75] **Inventor: Silvana Hervatin, Villeneuve Loubet, France**

[73] **Assignee: Wansor Investments Limited, London, England**

[**] **Term: 14 Years**

[21] **Appl. No.: 945,475**

[22] **Filed: Dec. 23, 1986**

[52] **U.S. Cl. D14/150; 379/434**

[58] **Field of Search D14/52, 53, 62, 63, D14/64, 60; 379/428, 433, 436, 435, 434, 440, 419; D21/111**

[56] **References Cited**

U.S. PATENT DOCUMENTS

D. 231,365	4/1974	Wasserman	D14/53
D. 258,882	4/1981	Beecher, II et al.	D14/53 X
D. 262,021	11/1981	Sistek et al.	D14/53
D. 262,626	1/1982	Genaro et al.	D14/53 X
D. 277,097	1/1985	Winkler	D14/53
D. 290,005	5/1987	O'Rourke	D14/53

OTHER PUBLICATIONS

B. A. Pargh Co. Catalog ©1985-: TeleConcepts Inc. Phone with Clear Plastic Base #460041Tel; p. 360.

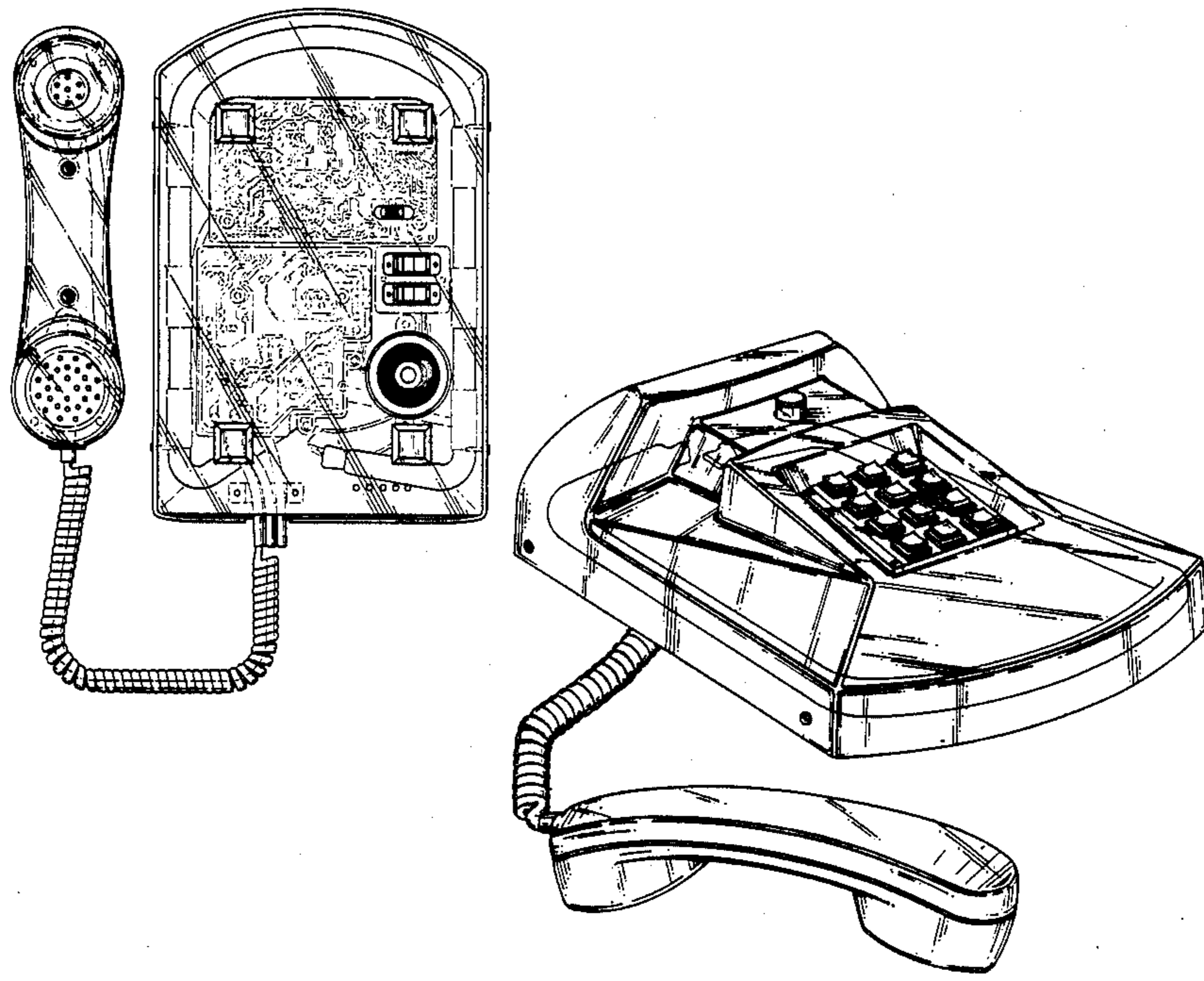
Primary Examiner—Horace B. Fay, Jr.

[57] **CLAIM**

The ornamental design for an illuminated telephone, as shown and described.

DESCRIPTION

FIG. 1 is a perspective view of an illuminated telephone showing my new design;
 FIG. 2 is a rear elevational view thereof;
 FIG. 3 is a side elevational view thereof;
 FIG. 4 is an elevational of the view of the side opposite that seen in FIG. 3;
 FIG. 5 is a top plan view thereof with the handset removed;
 FIG. 6 is a bottom plan view thereof with the handset removed;
 FIG. 7 is a perspective view thereof with the handset removed and omitting the broken line showing of internal components; and
 FIG. 8 is a perspective view of the telephone with the handset in place and omitting the broken line showing of environmental components.
 The broken line showing in FIGS. 1-6 the internal circuitry of the telephone is visible through the transparent case of the base and handset is for illustrative purposes only, and the specific appearance thereof forms no part of the claimed design. The solid line showing of the light element which is visible through the case of the base and which extends about the interior of the case comprises a part of the design, and it effects illumination of the telephone base.



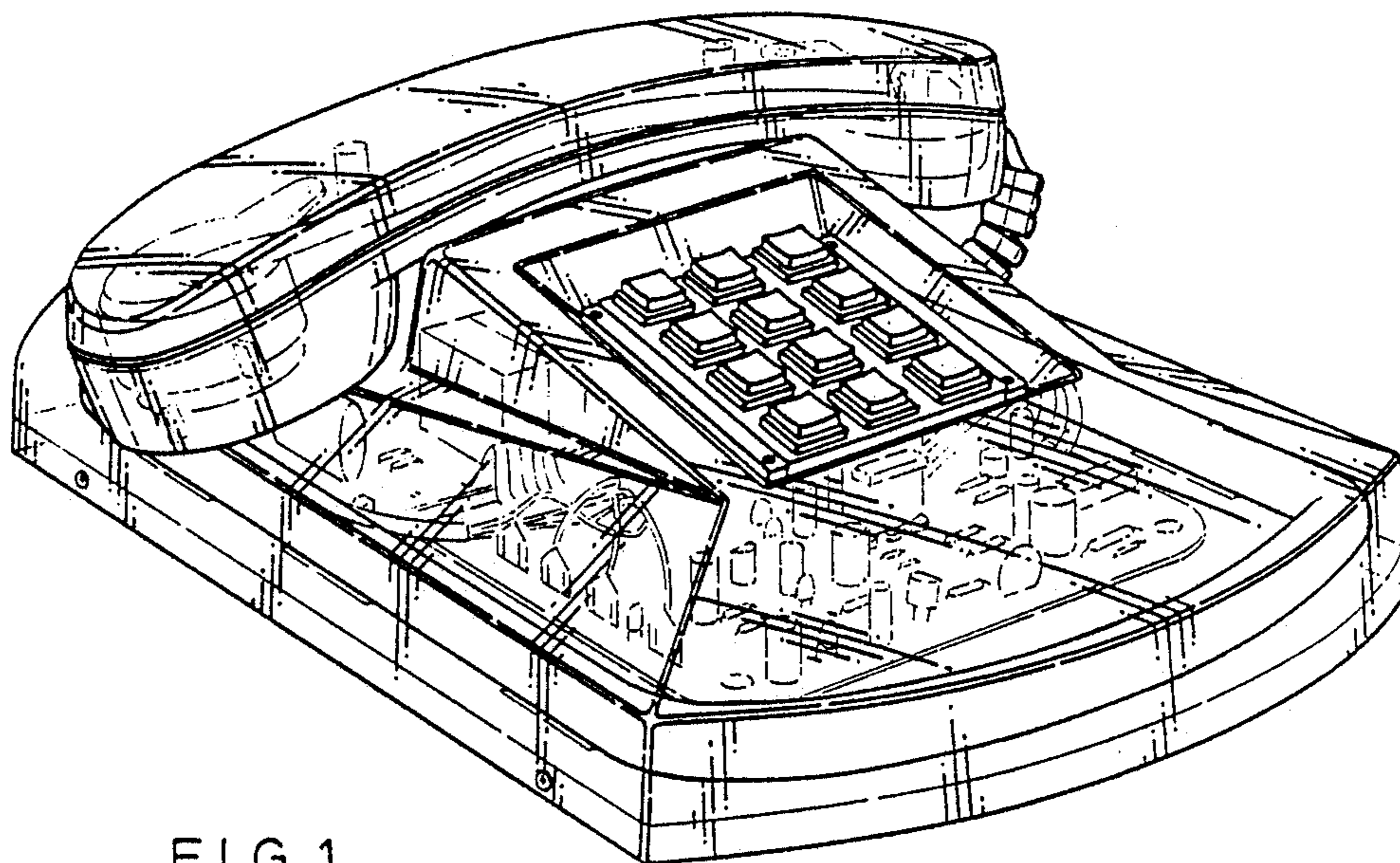


FIG. 1.

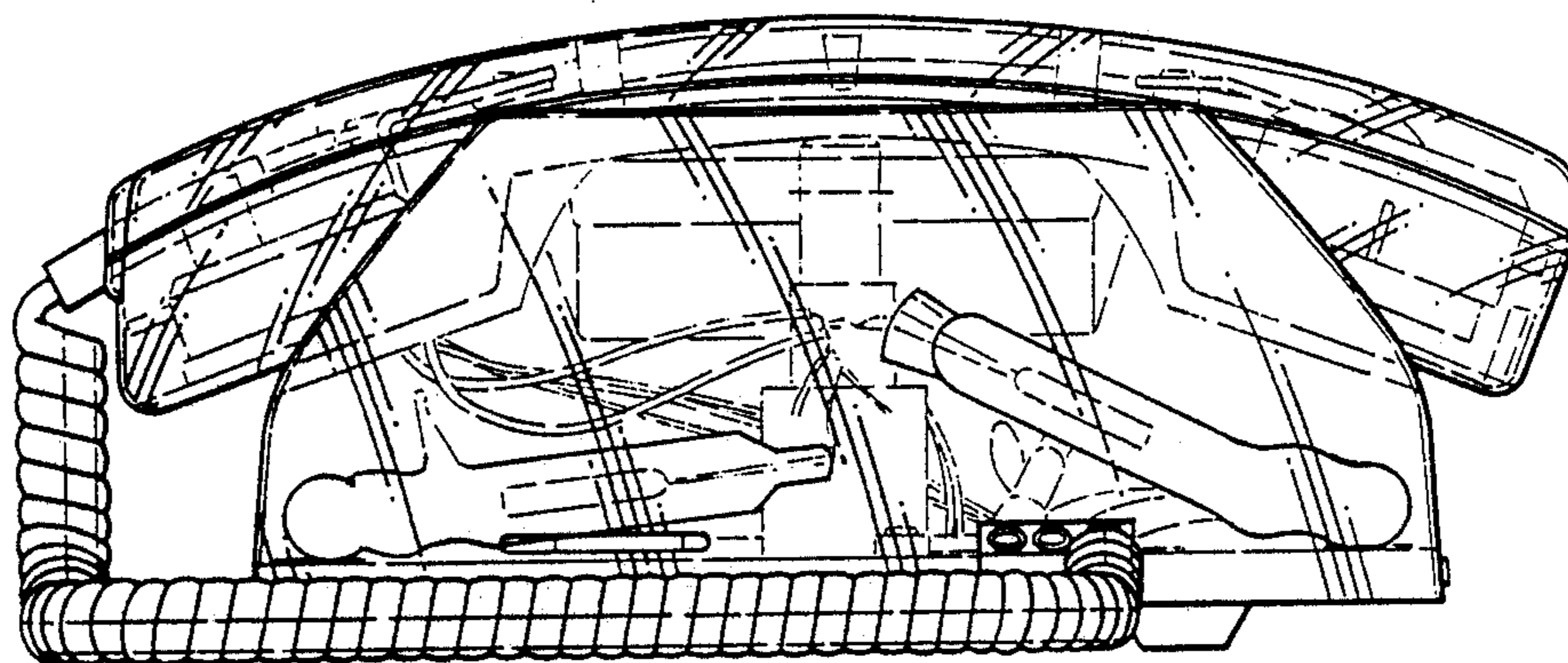


FIG. 2.

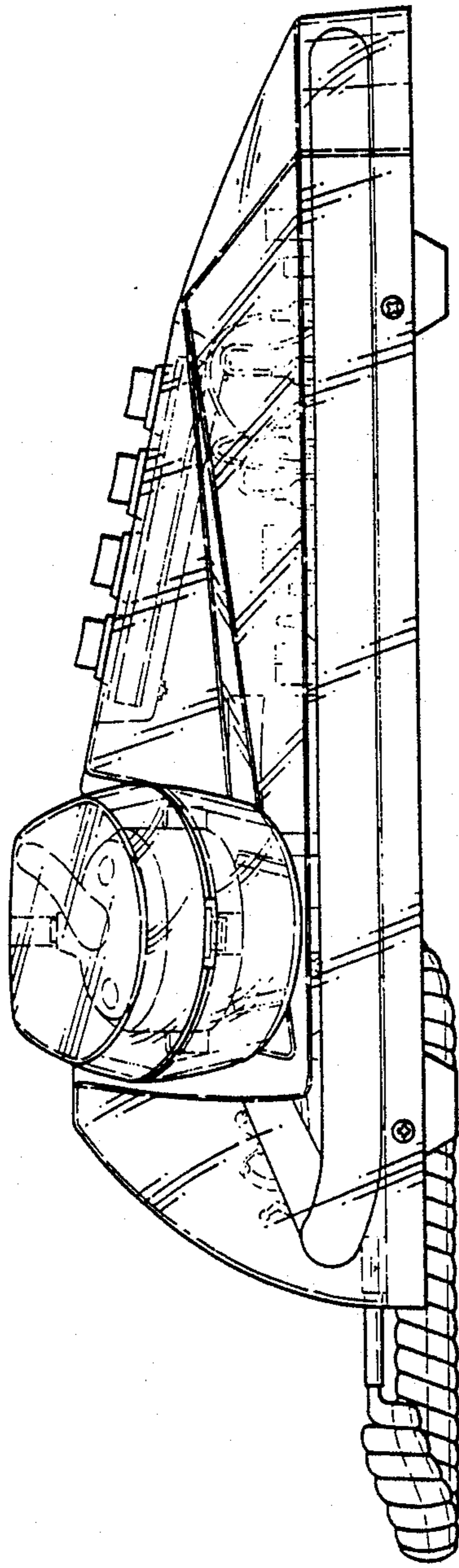


FIG. 3.

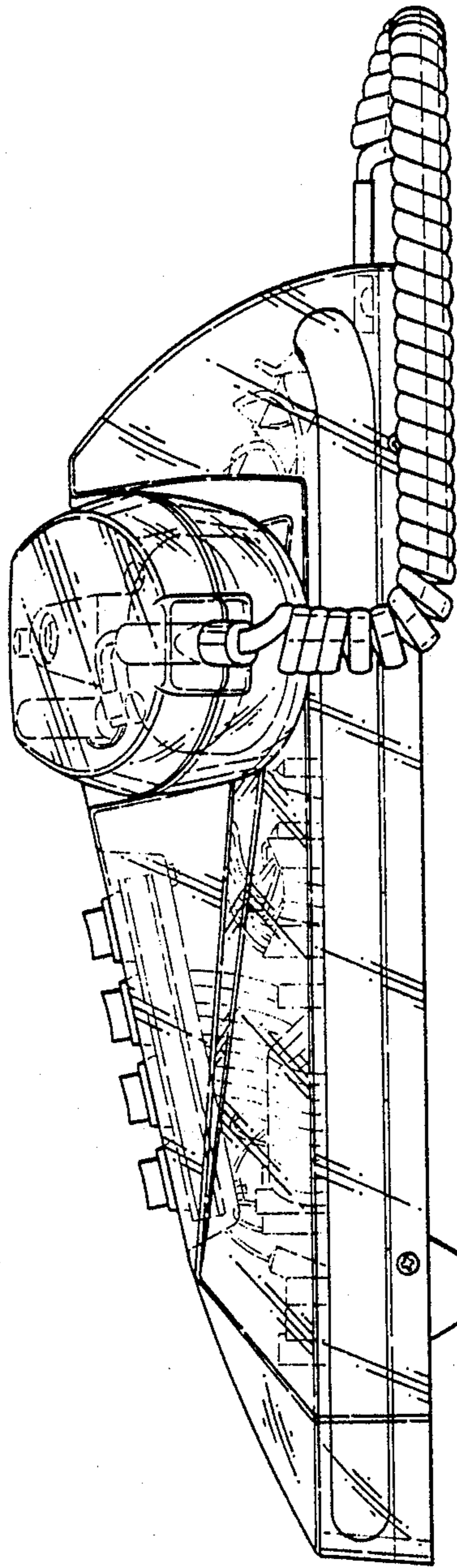
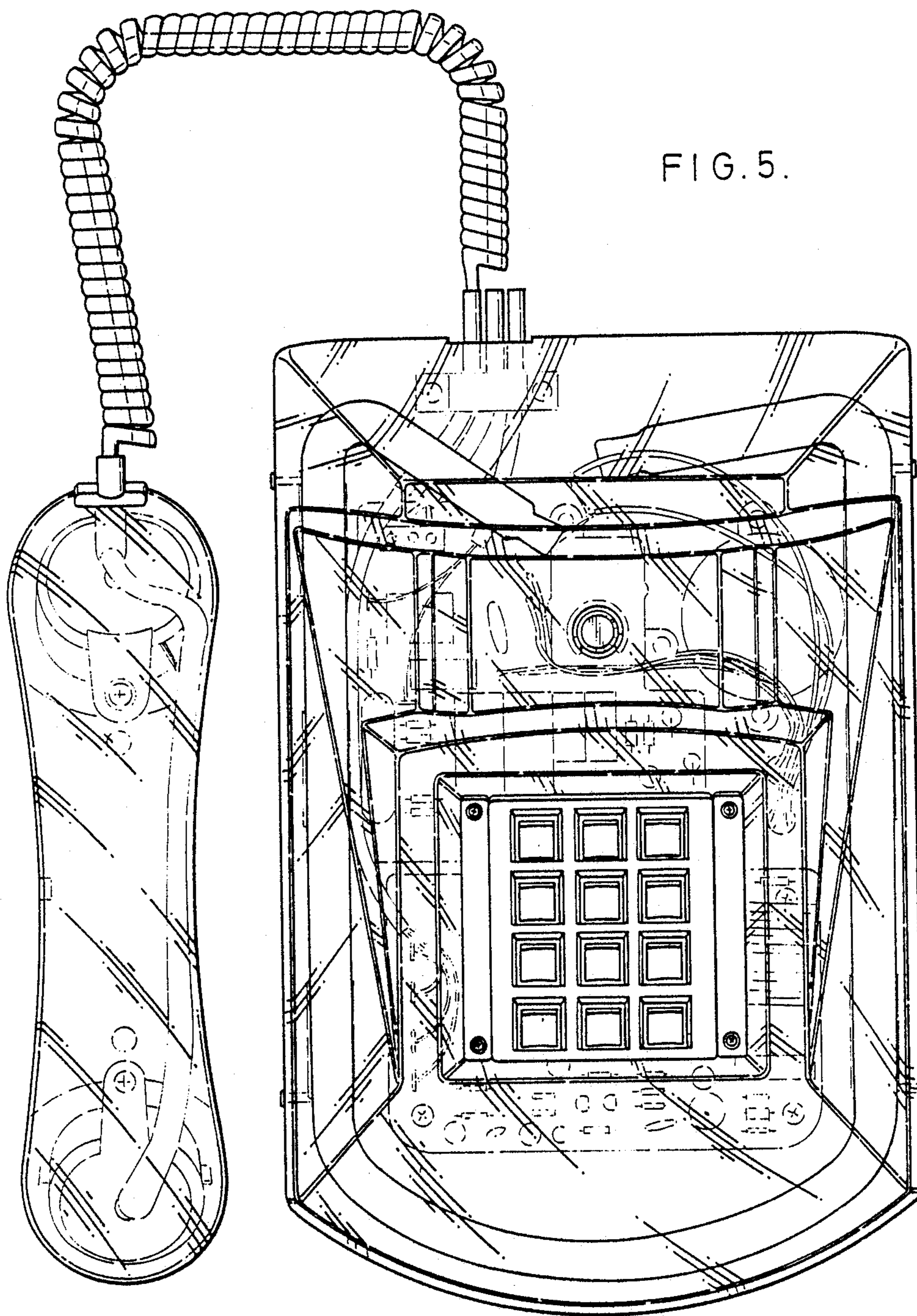


FIG. 4.



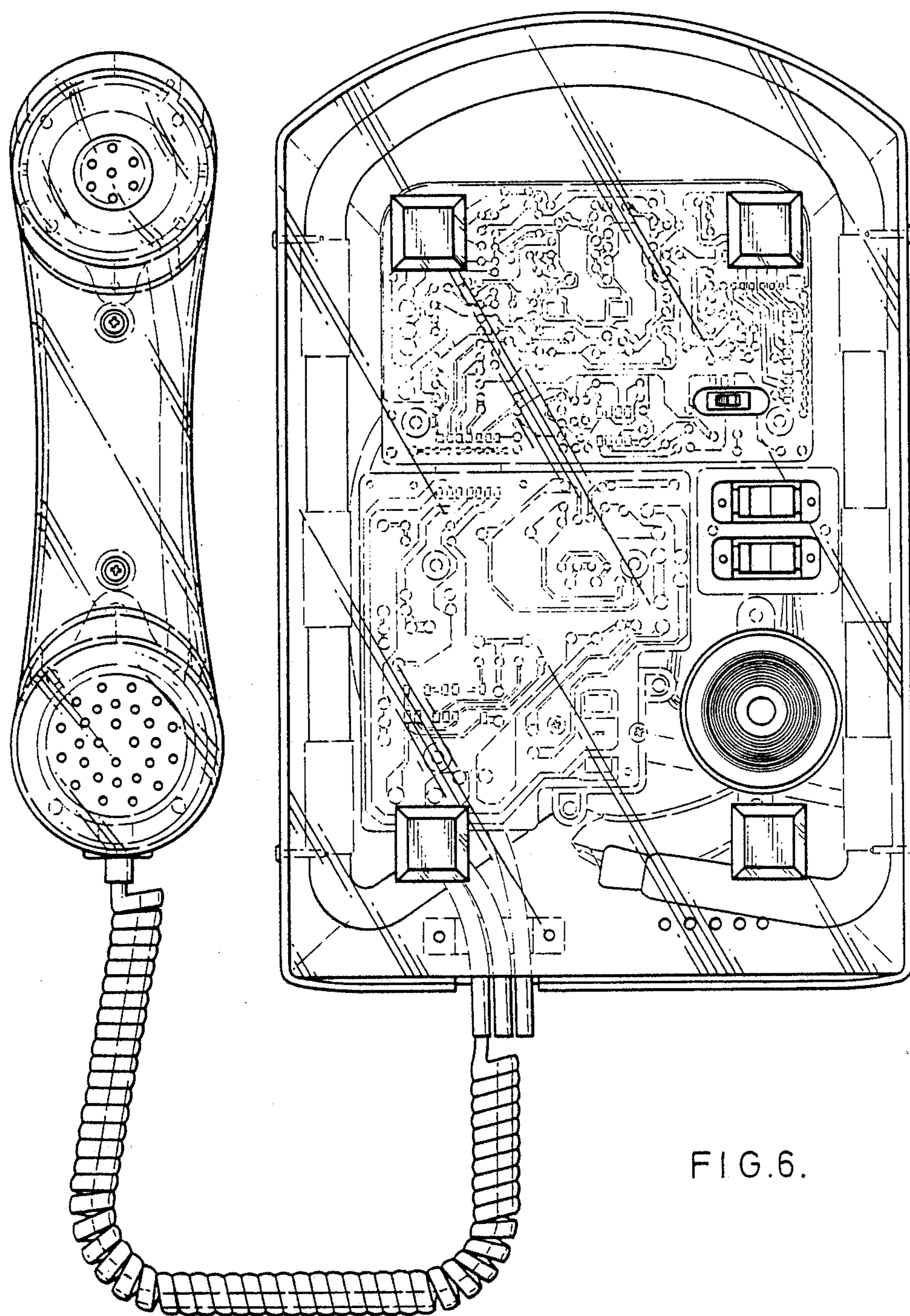


FIG. 6.

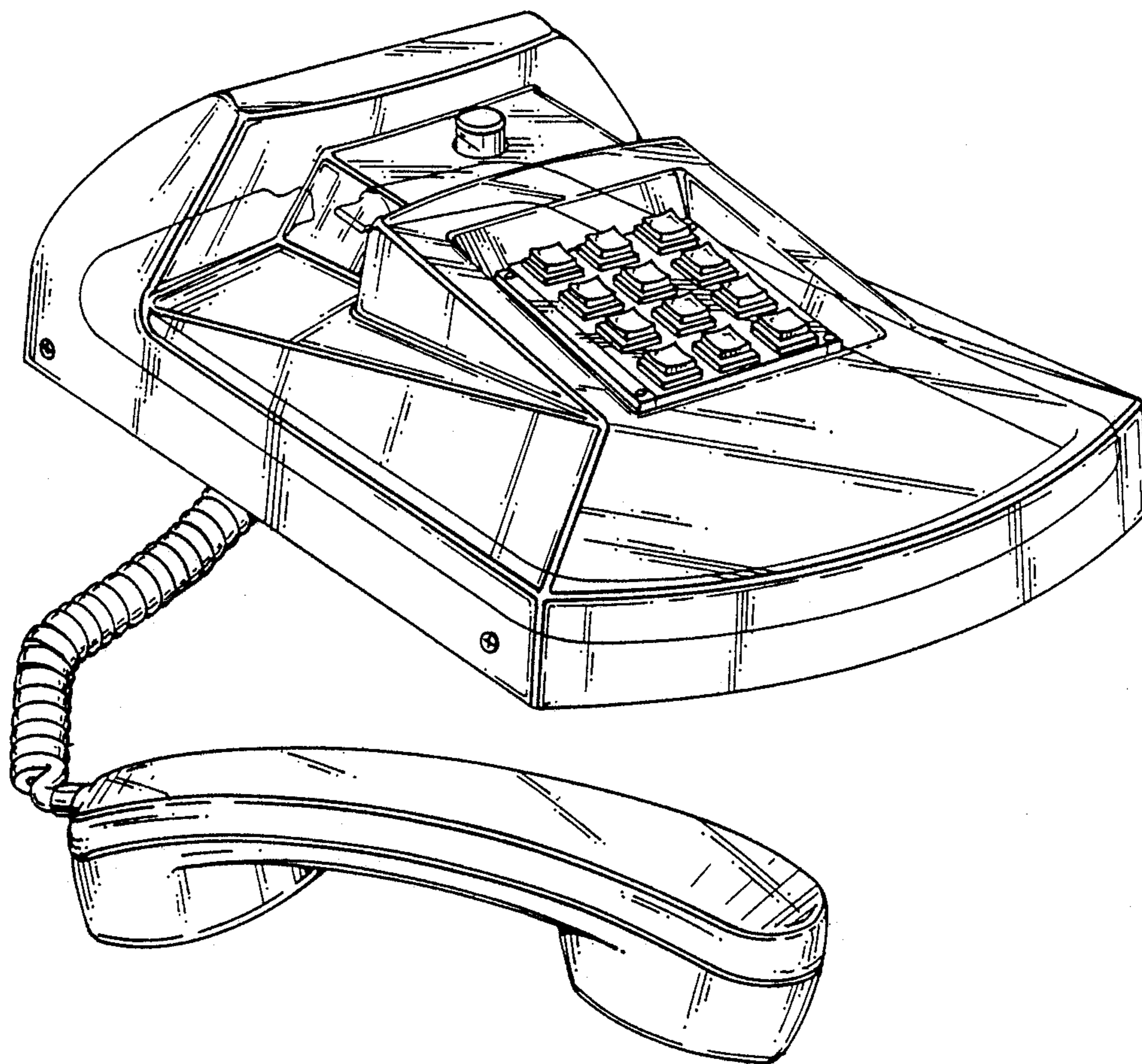


FIG. 7.

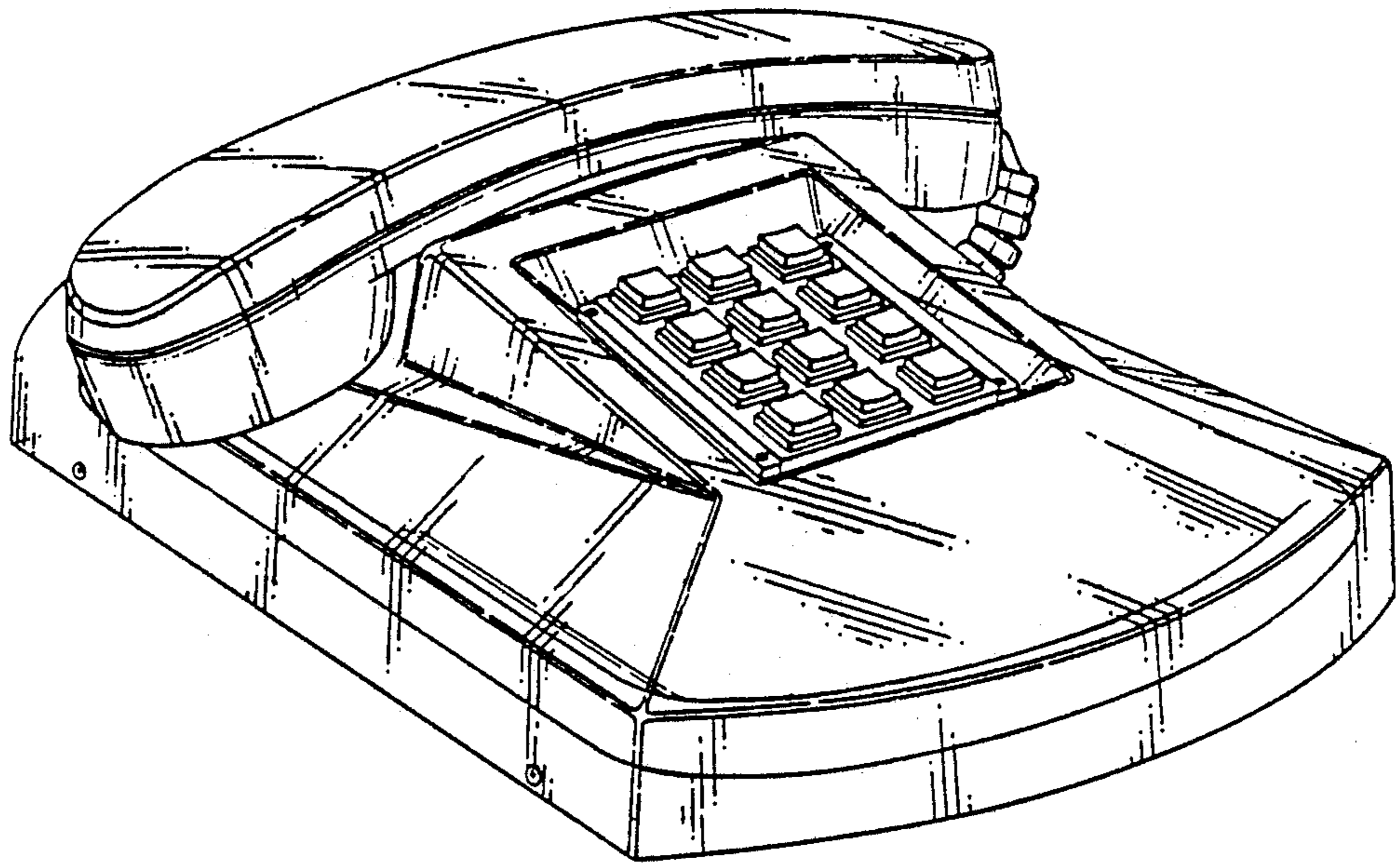


FIG. 8.