

[54] **THREE WHEELED PEDAL DRIVEN VEHICLE**

[76] **Inventor: Glen T. Poss, W. 11422 Charles Rd., Nine Mile Falls, Wash. 99026**

[\*\*] **Term: 14 Years**

[21] **Appl. No.: 907,621**

[22] **Filed: Sep. 15, 1986**

[52] **U.S. Cl. .... D12/112**

[58] **Field of Search ..... D12/107, 112; 280/261, 280/282, 281 LP**

[56] **References Cited**

**U.S. PATENT DOCUMENTS**

- D. 239,644 4/1976 Matsuura ..... D12/112
- D. 253,530 11/1979 Perkins ..... D12/112
- D. 266,918 11/1982 Buczak ..... D12/112

D. 290,451 6/1987 Engum ..... D12/112

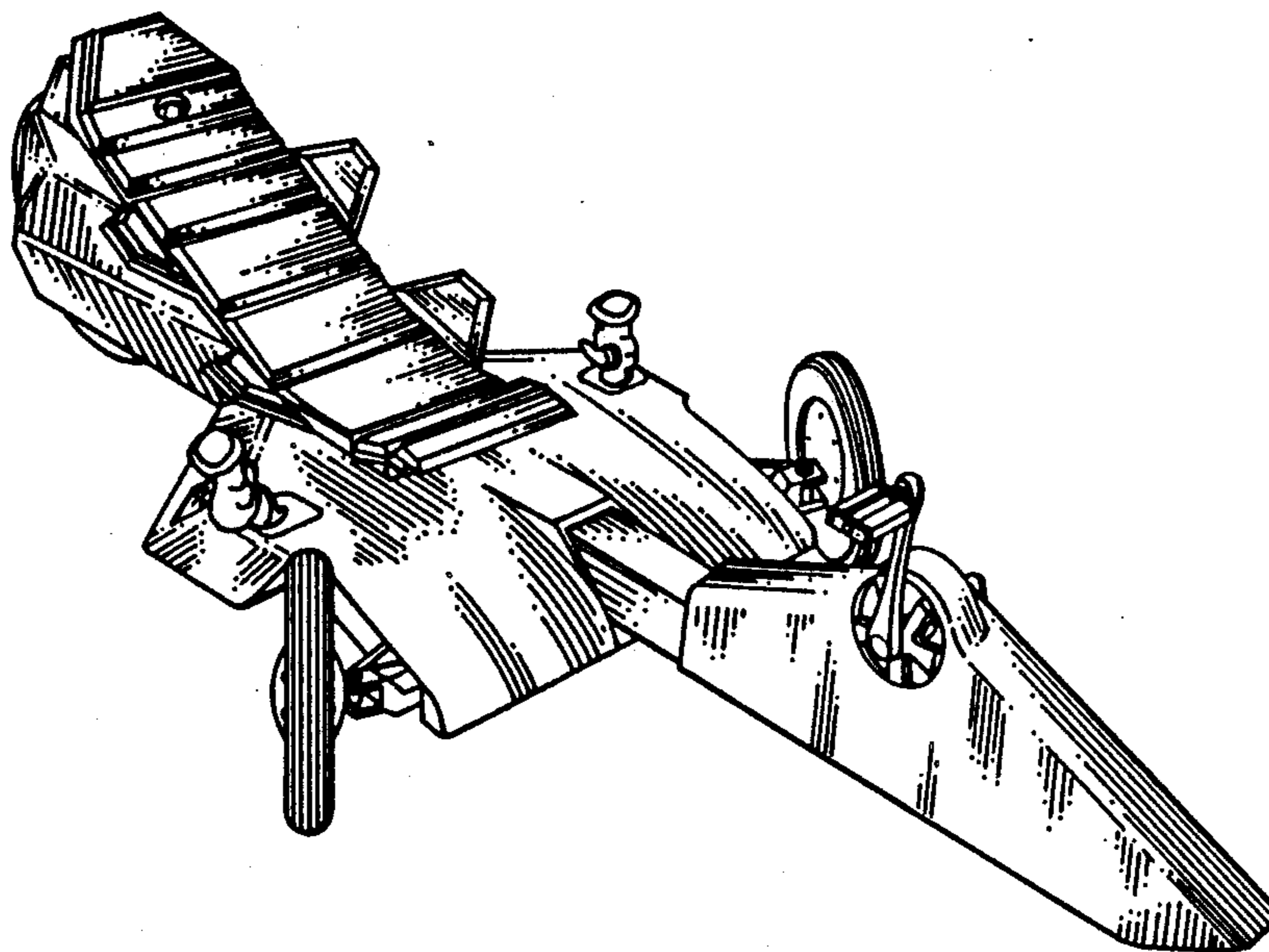
*Primary Examiner*—James M. Gandy  
*Attorney, Agent, or Firm*—Wells, St. John and Roberts

[57] **CLAIM**

The ornamental design for a three wheeled pedal driven vehicle, as shown.

**DESCRIPTION**

FIG. 1 is a front perspective view of a three wheeled pedal driven vehicle showing my new design;  
 FIG. 2 is a rear perspective view thereof;  
 FIG. 3 is a side elevation view thereof;  
 FIG. 4 is a front elevation view thereof;  
 FIG. 5 is a top plan view thereof;  
 FIG. 6 is a elevation view thereof, of a side opposite the side shown by FIG. 3;  
 FIG. 7 is a rear end elevation view thereof; and  
 FIG. 8 is a bottom plan view thereof.



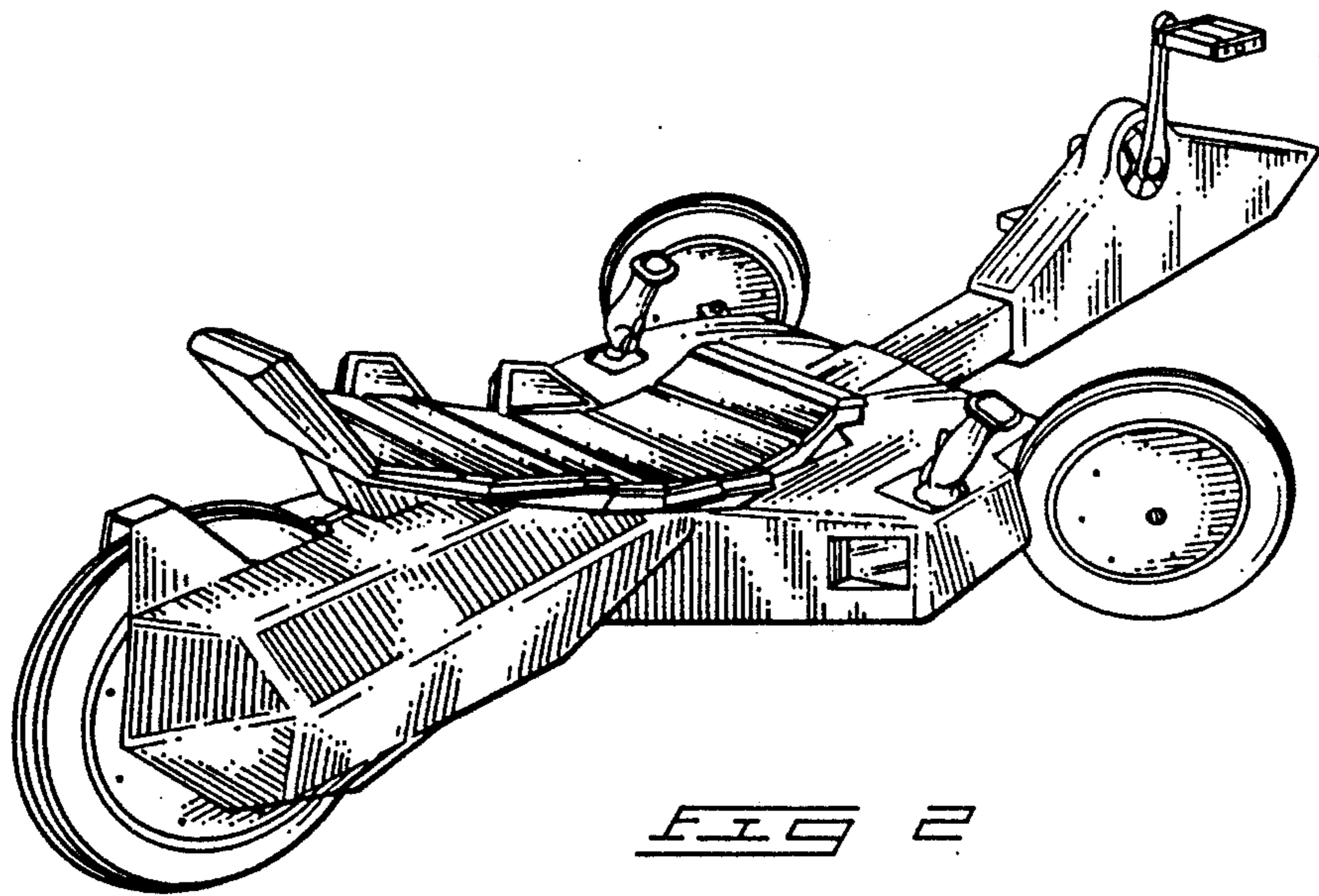
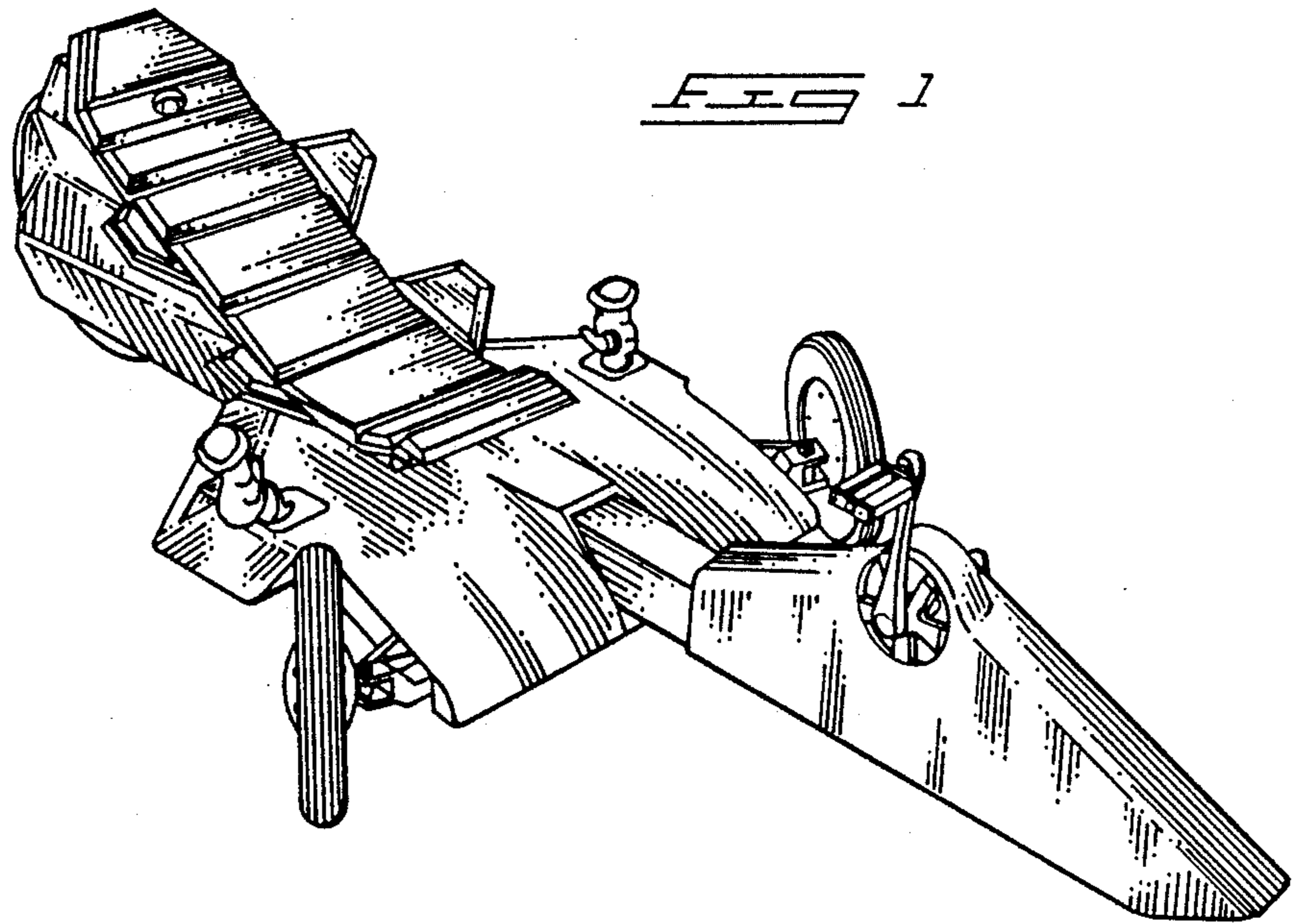


FIG 3

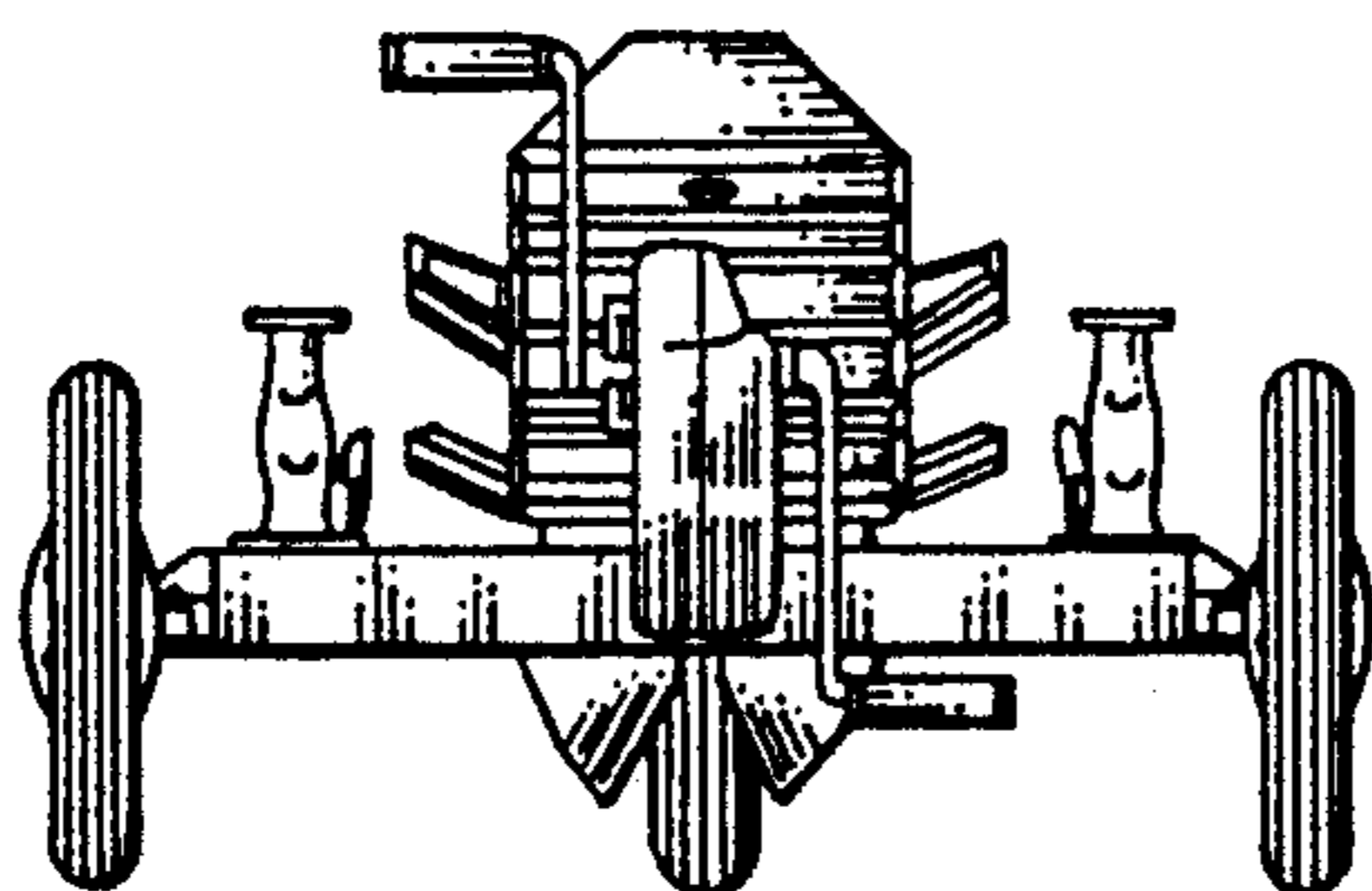
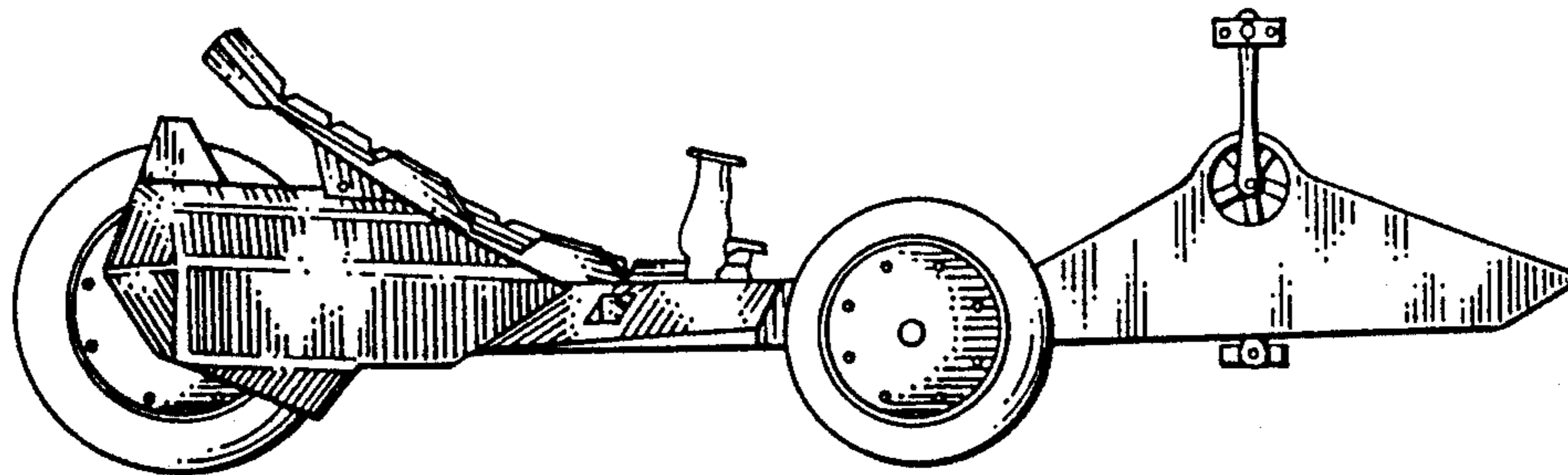


FIG 4

FIG 5

