

[54] ELECTRONIC THERMOMETER DISPLAY OR THE LIKE

[75] Inventor: Christopher P. Grudzien, Jr., Prospect, Conn.

[73] Assignee: Dresser Industries, Inc., Dallas, Tex.

[**] Term: 14 Years

[21] Appl. No.: 859,734

[22] Filed: May 5, 1986

[52] U.S. Cl. D10/60; D10/102

[58] Field of Search D10/15, 57, 60, 102-103, D10/38, 75, 78; 374/163-170, 179, 185, 208

[56] References Cited

U.S. PATENT DOCUMENTS

- D. 213,020 2/1968 Merel D10/15 X
- D. 238,254 12/1975 Sulek D10/38
- D. 251,773 5/1979 Morabito D10/38
- D. 255,996 7/1980 Tamura D10/15
- D. 261,365 10/1981 Carre D10/15 X

- D. 263,812 4/1982 Fuerneisen D10/15
- D. 287,947 1/1987 Hicks D10/103 X
- 3,477,292 11/1969 Thornton 374/170
- 4,601,589 7/1986 Meisner 374/163 X

Primary Examiner—Nelson C. Holtje

[57] CLAIM

The ornamental design for an electronic thermometer display or the like, as shown.

DESCRIPTION

FIG. 1 is a front and top-left perspective view of an electronic thermometer display or the like showing my new design;

FIG. 2 is a front elevational view thereof;

FIG. 3 is a rear elevational view thereof;

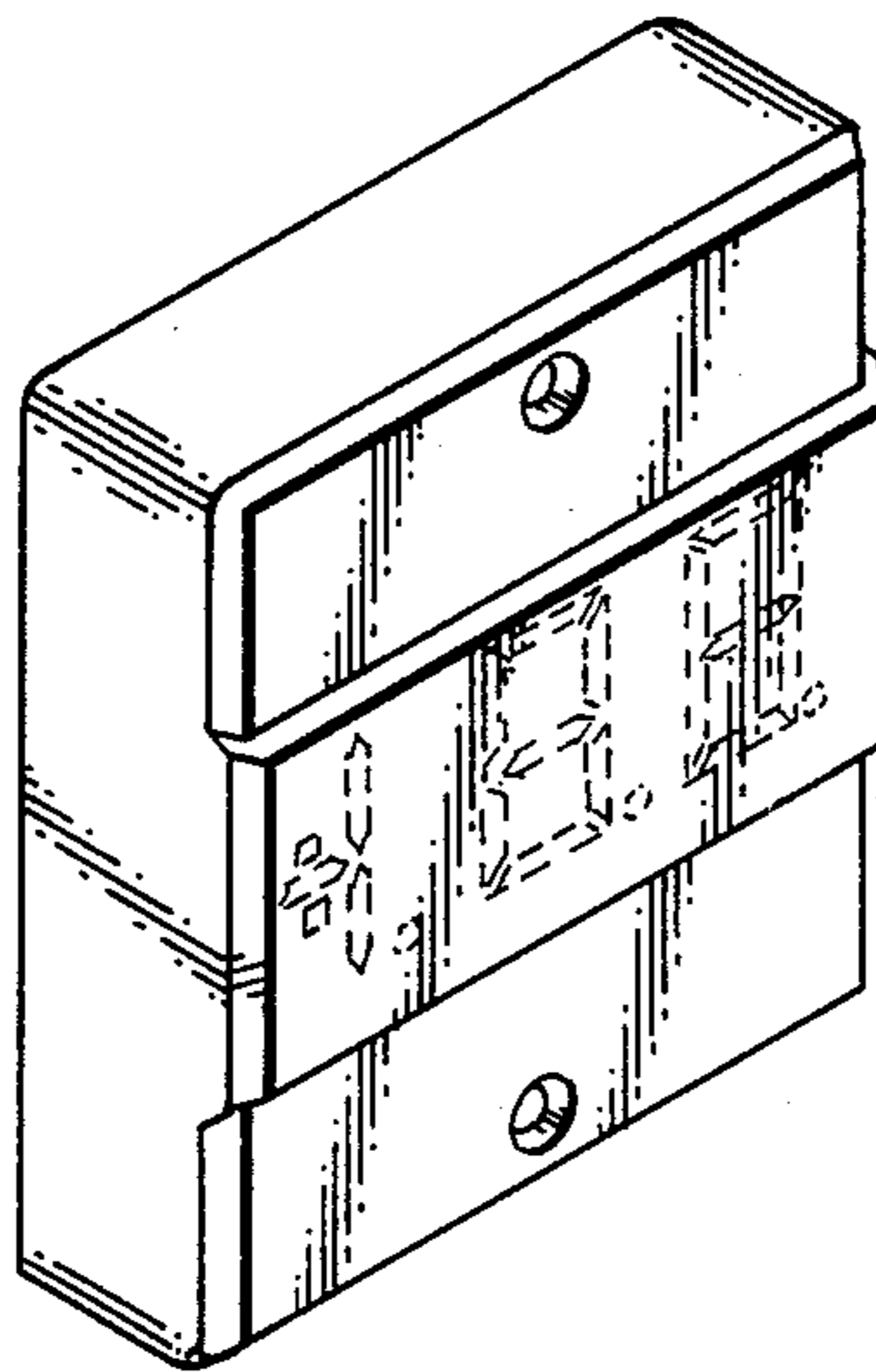
FIG. 4 is a left side elevational view thereof;

FIG. 5 is a right side elevational view thereof;

FIG. 6 is a top plan view thereof;

FIG. 7 is a bottom plan view thereof.

The broken-line display numerals are environmental only and form no part of the claimed design.



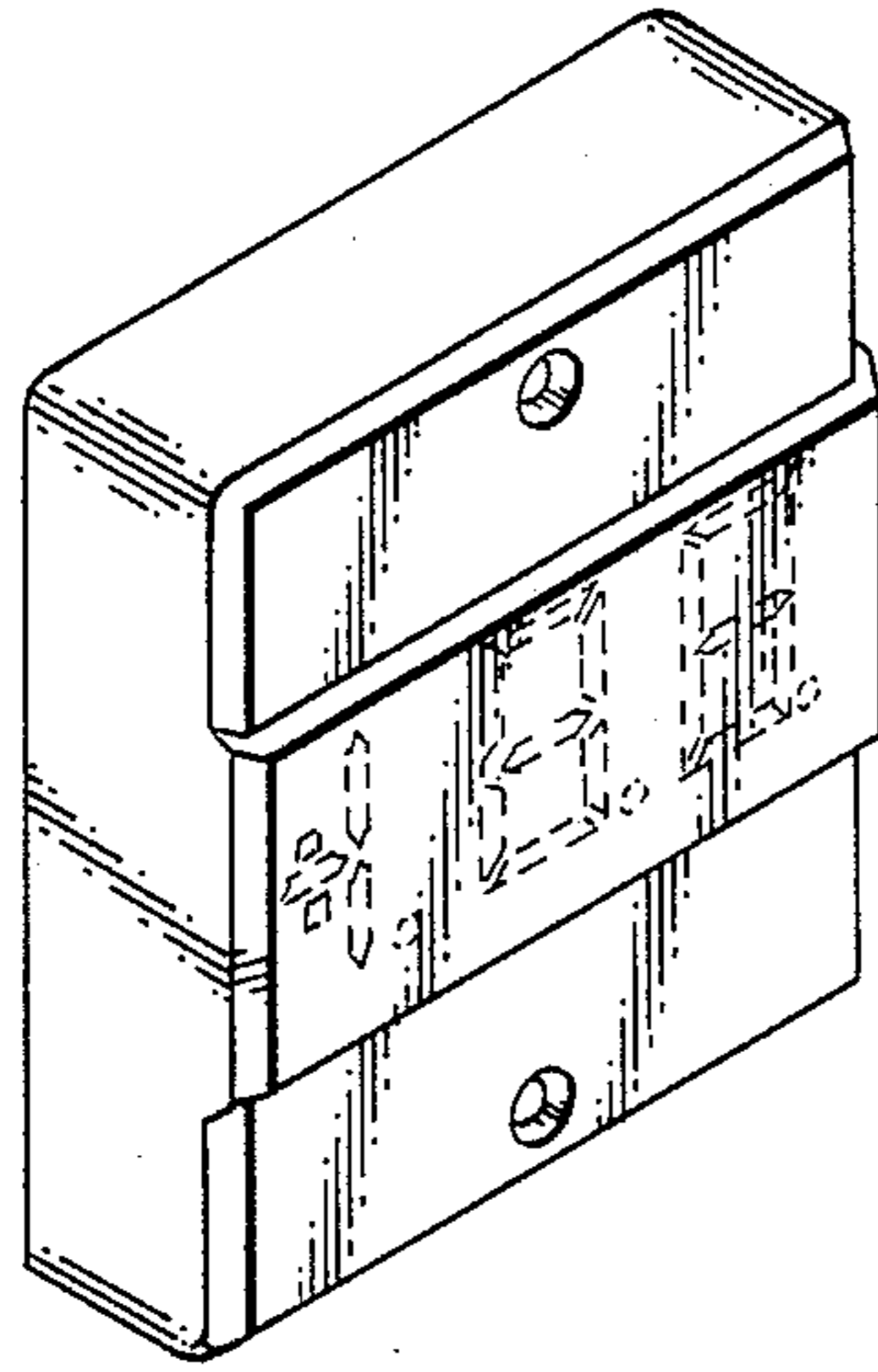


FIG. 1

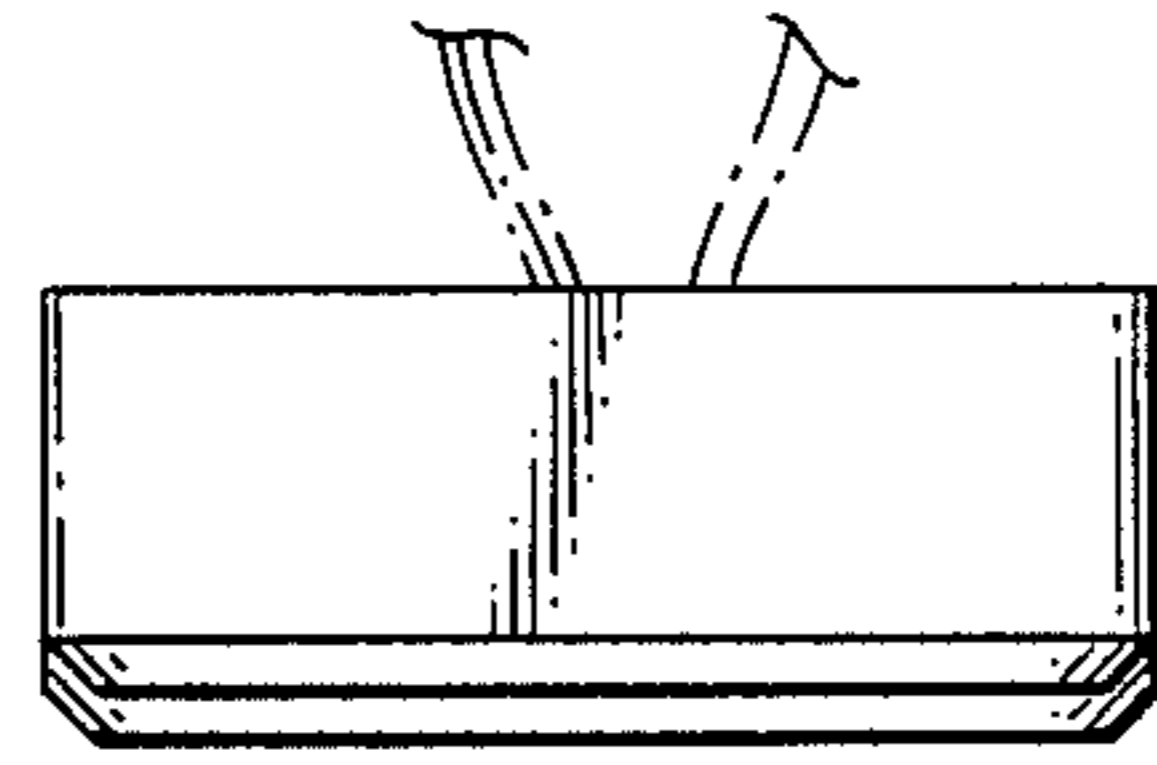


FIG. 7

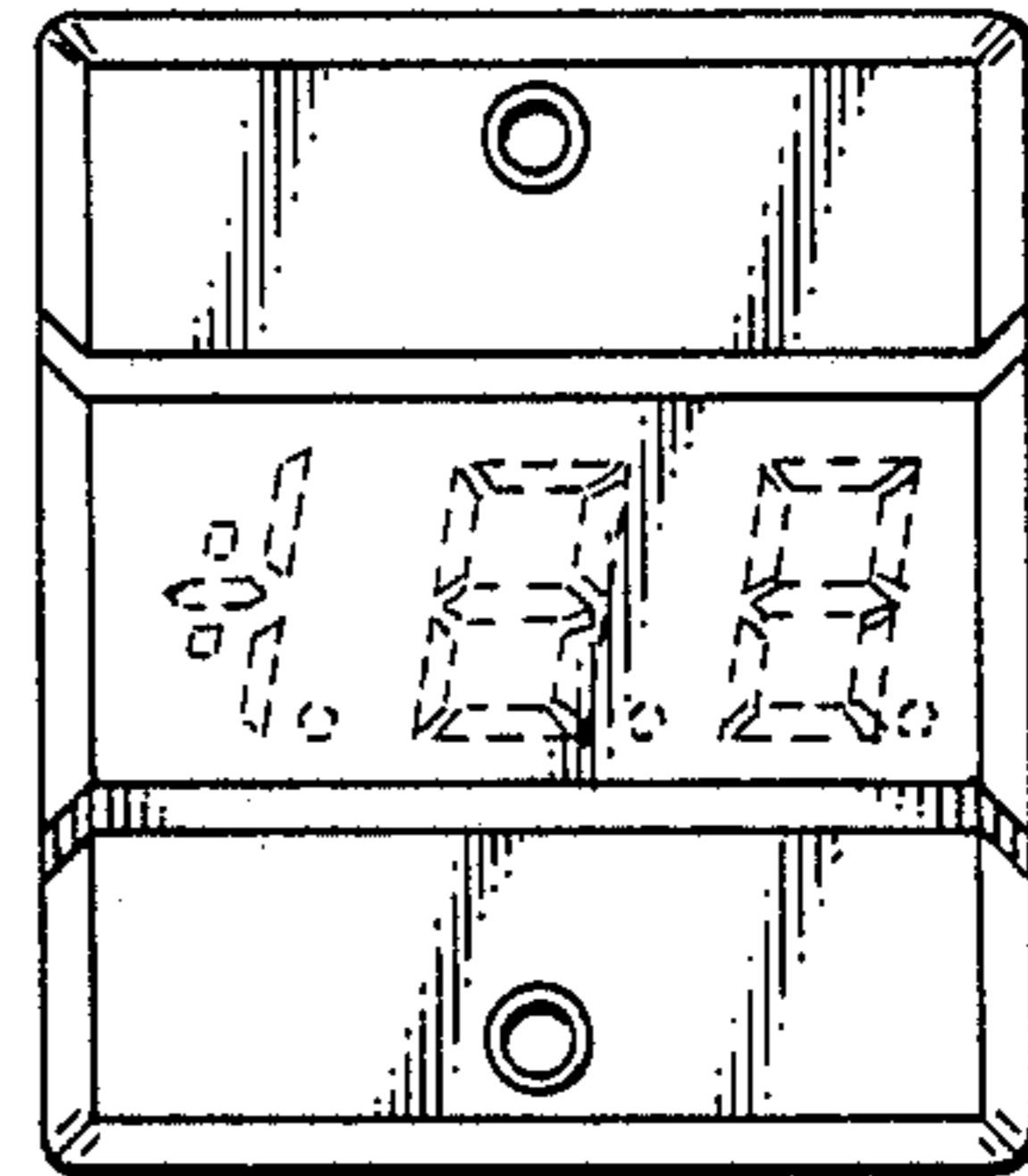


FIG. 2

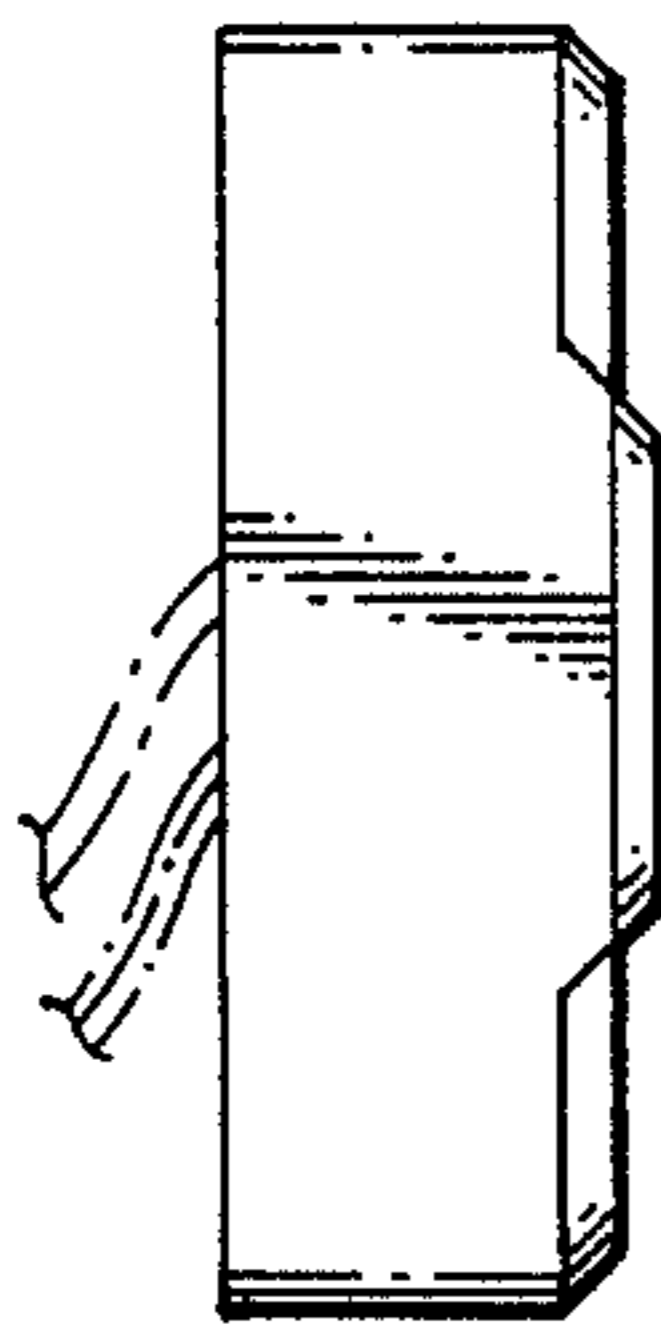


FIG. 4

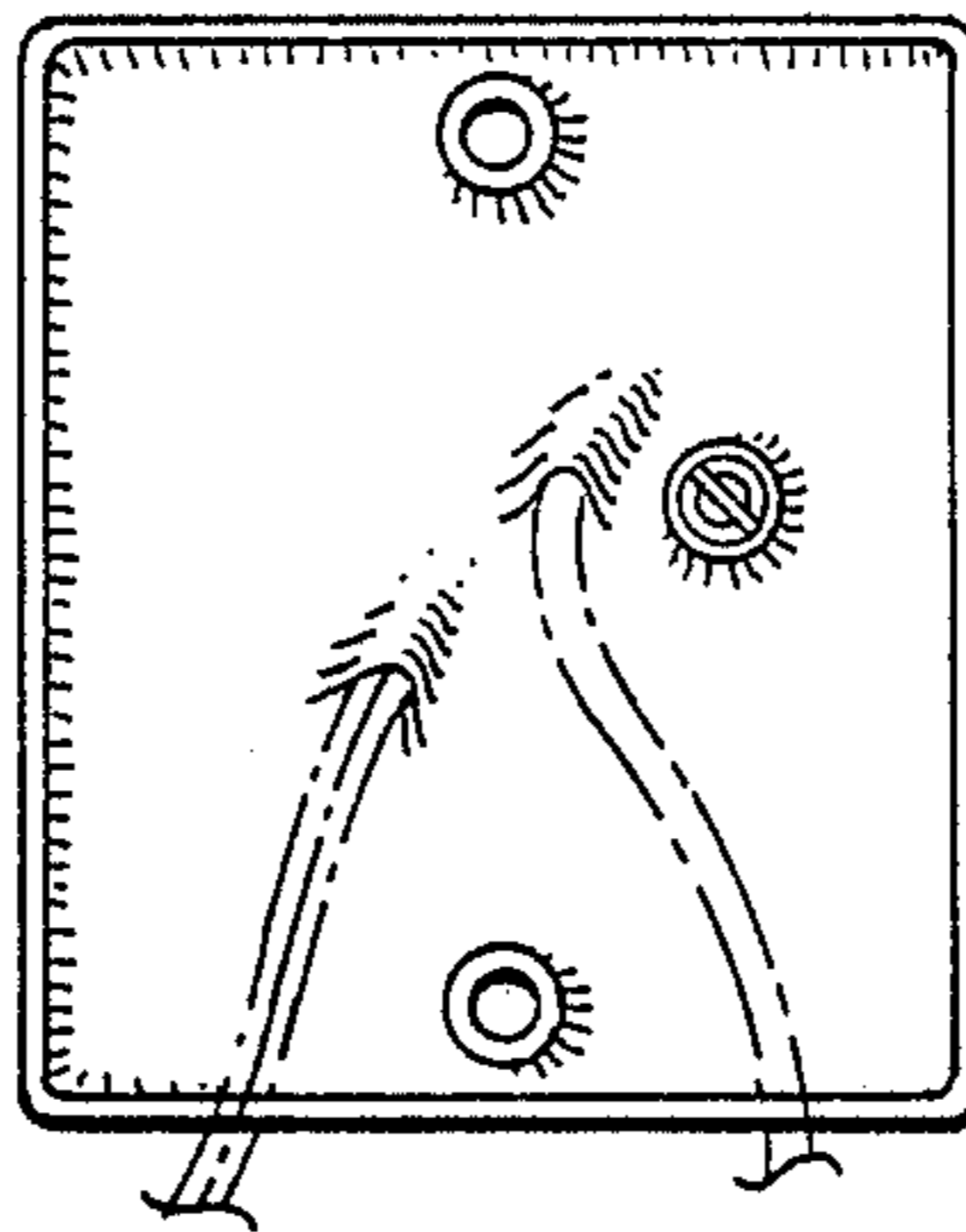


FIG. 3

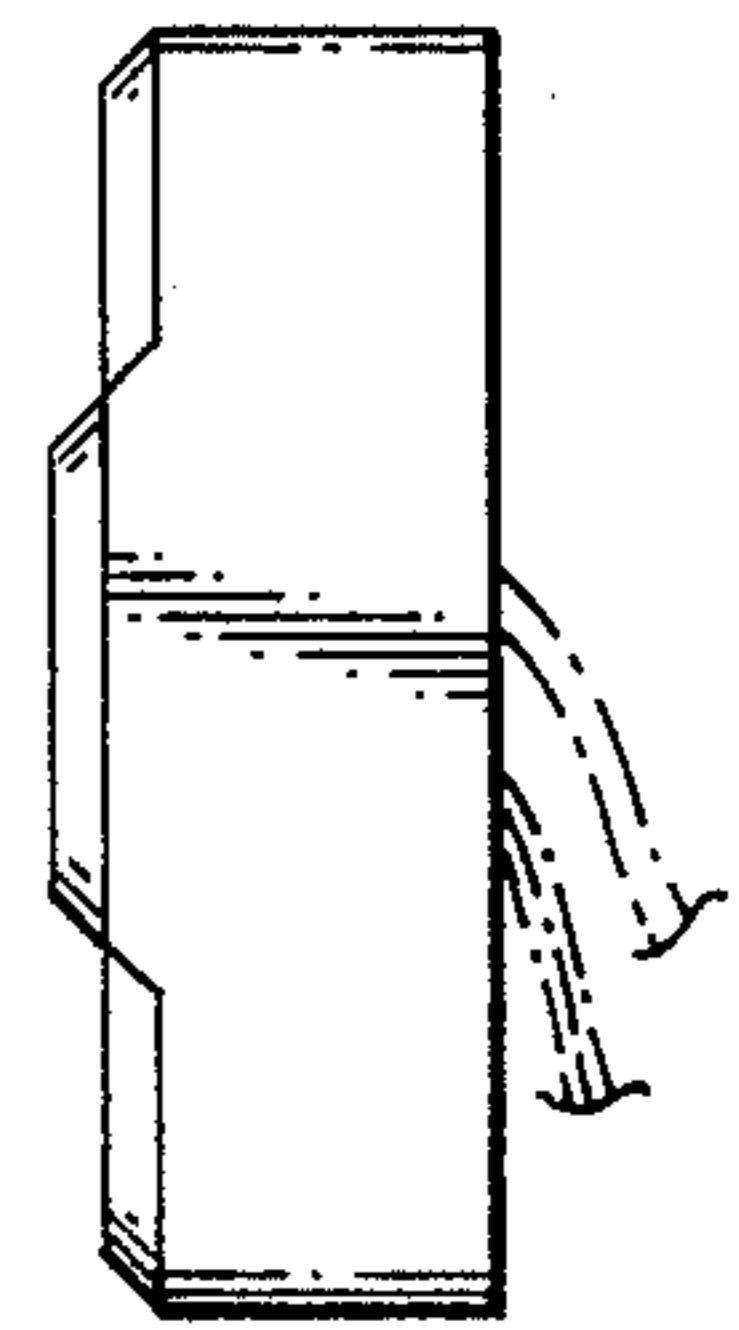


FIG. 5

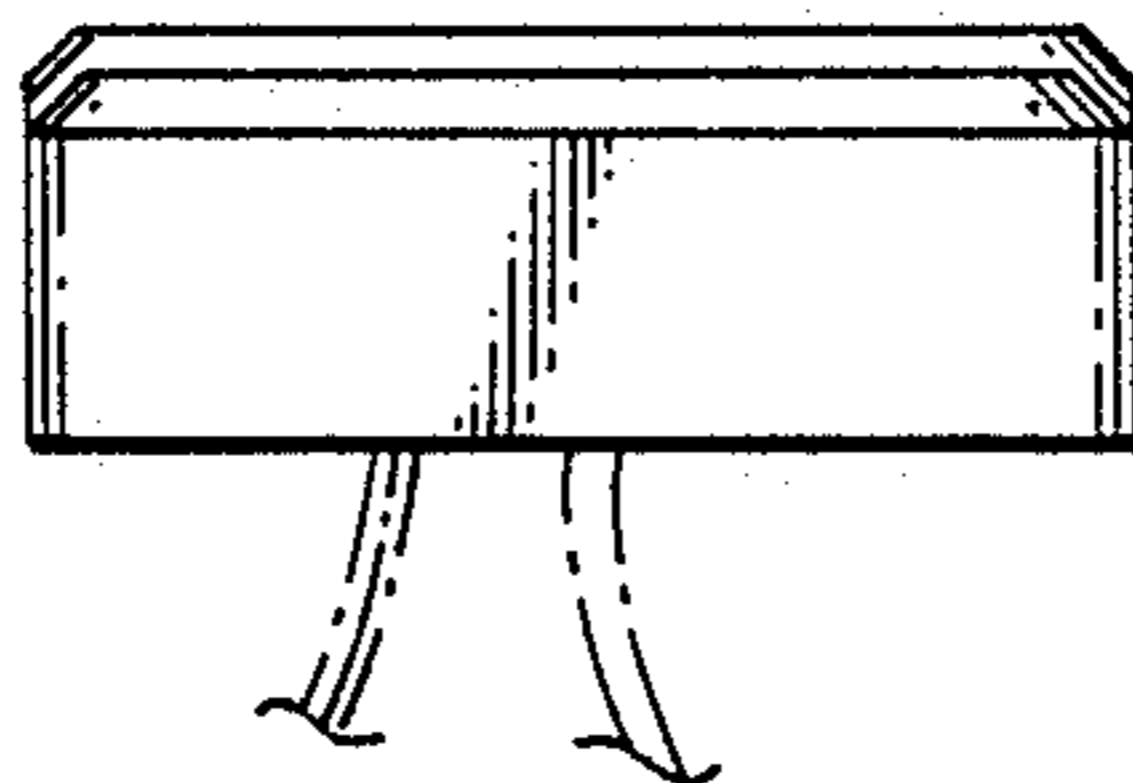


FIG. 6