

[54] **STRUCTURAL FORM TIE**

[75] **Inventor: H. Gordon Gates, Denver, Colo.**

[73] **Assignee: Gates & Sons, Inc., Denver, Colo.**

[**] **Term: 14 Years**

[21] **Appl. No.: 944,615**

[22] **Filed: Dec. 22, 1986**

[52] **U.S. Cl. D8/384**

[58] **Field of Search D8/384; 249/18; 52/414, 52/432, 659, 712, 714**

[56] **References Cited**

U.S. PATENT DOCUMENTS

D. 27,643	9/1897	Knox	D8/384
D. 33,342	10/1900	Rieseck	D8/384
D. 33,426	10/1900	Grafton	D8/384
3,728,836	4/1973	Gates	52/712

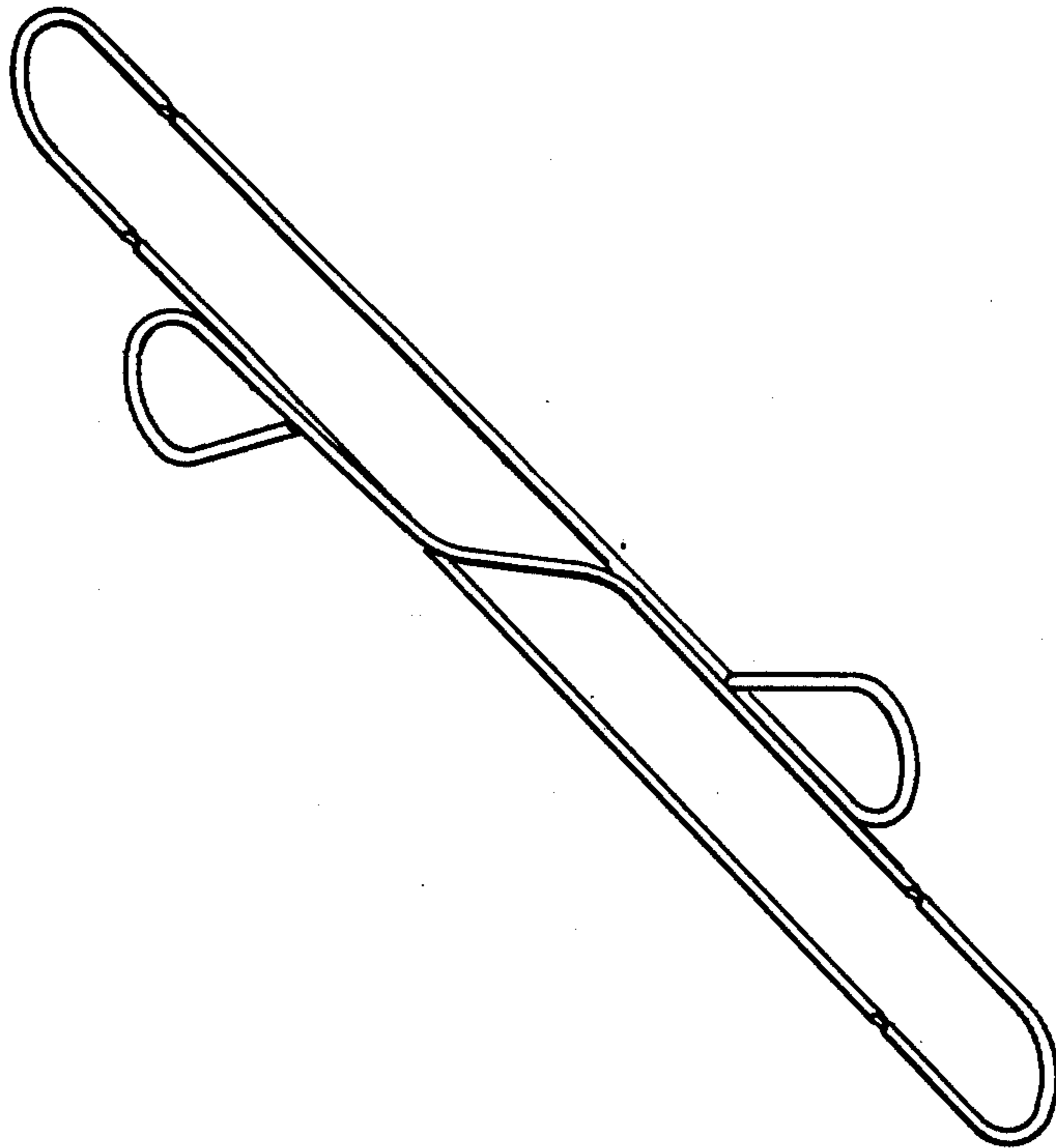
Primary Examiner—B. J. Bullock
Attorney, Agent, or Firm—Fields, Lewis, Pittenger & Rost

[57] **CLAIM**

The ornamental design for a structural form tie, as shown and described.

DESCRIPTION

FIG. 1 is a perspective view of a structural form tie showing my new design;
FIG. 2 is a bottom plan view thereof;
FIG. 3 is a side elevation thereof taken from the opposite side of FIG. 1;
FIG. 4 is a top plan view thereof;
FIG. 5 is an end view thereof taken from the left-hand side of FIG. 3; and
FIG. 6 is an end view thereof taken from the right-hand end of FIG. 3.



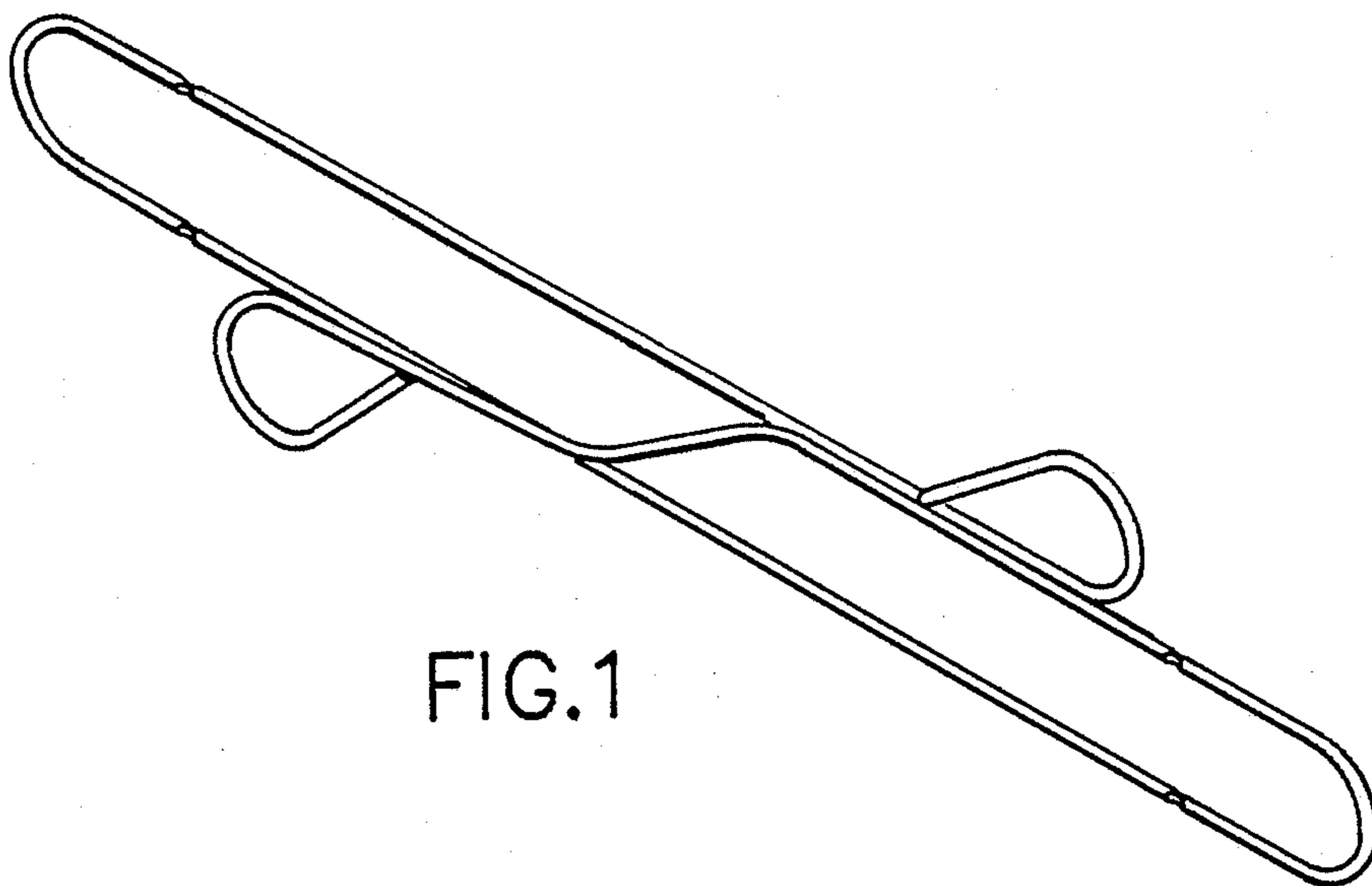


FIG. 1



FIG. 2

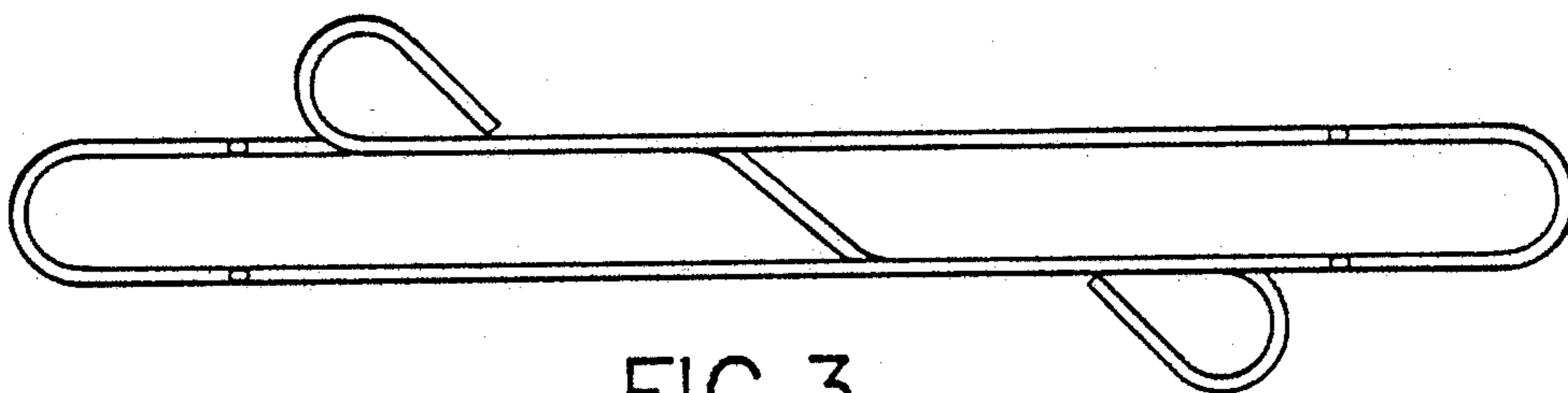


FIG. 3

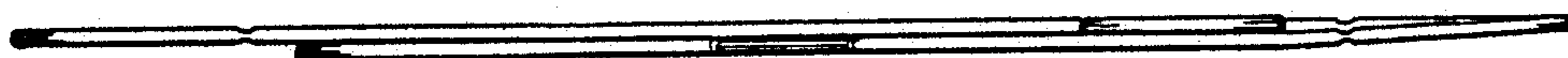


FIG. 4



FIG. 5



FIG. 6