

[54] **POCKET KNIFE WITH REMOVABLE CAP**

[75] **Inventor: Ralph F. Osterhout, San Francisco, Calif.**

[73] **Assignee: Tekna, Redwood City, Calif.**

[**] **Term: 14 Years**

[21] **Appl. No.: 847,628**

[22] **Filed: Apr. 2, 1986**

[52] **U.S. Cl. D8/98; D8/107**

[58] **Field of Search D8/20, 98-100,
D8/105, 107; D22/118; D24/28; D7/150, 151;
30/155-161, 314, 315, 317**

[56] **References Cited**

U.S. PATENT DOCUMENTS

D. 154,858	8/1949	Johnson	D8/98
D. 288,898	3/1987	Osterhout	D8/99
812,424	2/1906	Hellmuth	30/157
2,348,429	5/1944	Walker	30/90.7

OTHER PUBLICATIONS

Brigade Quartermasters' Action Gear Catalog, Summer 1988, p. 88, Tekna Key Chain Knife.

Primary Examiner—Bruce W. Dunkins

Assistant Examiner—Clare E. Heflin

Attorney, Agent, or Firm—Townsend & Townsend

[57] **CLAIM**

The ornamental design for a pocket knife with removable cap, as shown and described.

DESCRIPTION

FIG. 1 is a perspective view of a pocket knife with removable cap showing my new design;

FIG. 2 is a perspective view thereof with the cap shown removed, the opposite side of the blade portion thereof being a mirror image of that shown;

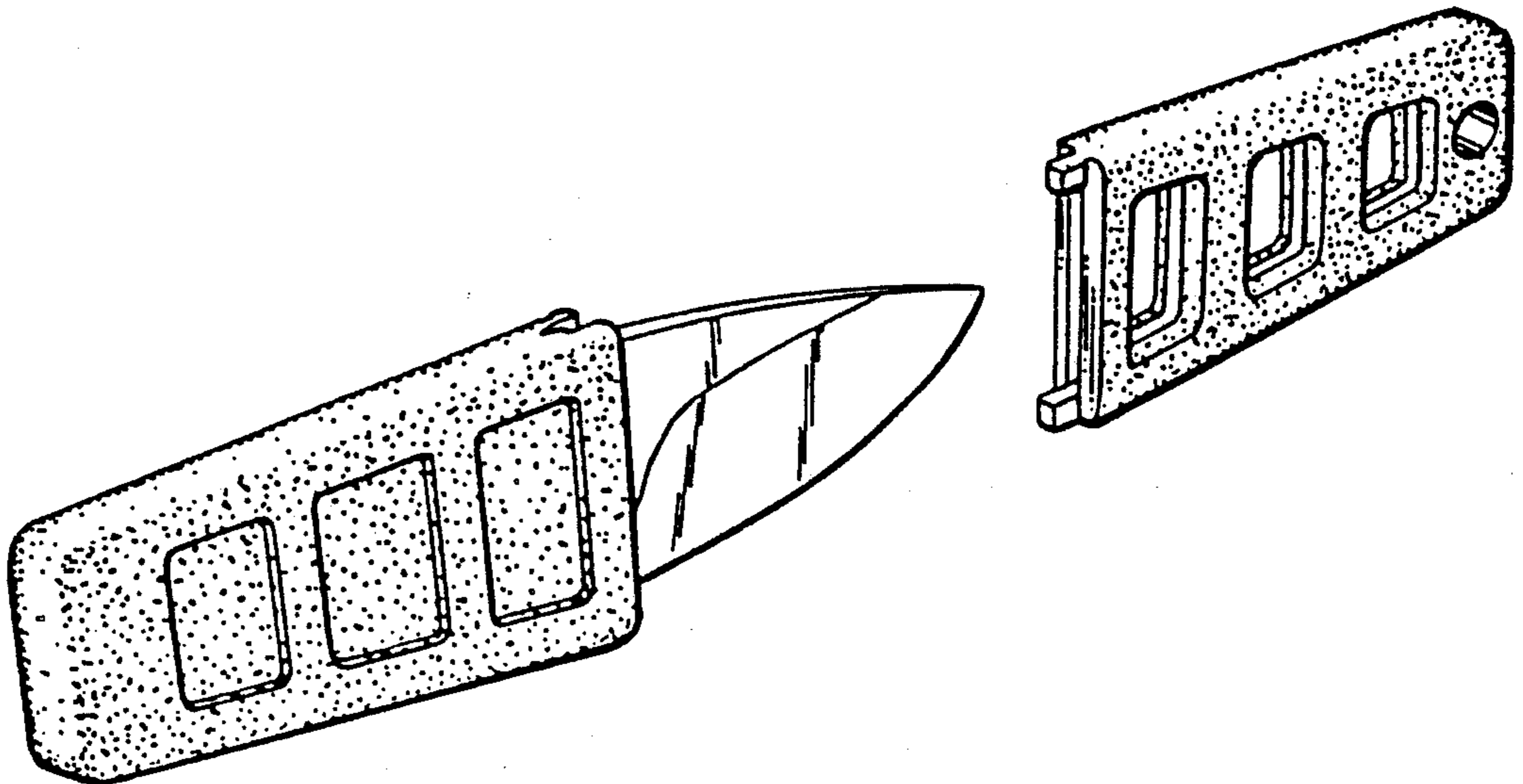
FIG. 3 is a top plan view thereof;

FIG. 4 is a front elevational view thereof, the rear view being a mirror image;

FIG. 5 is a right side elevational view thereof;

FIG. 6 is a left side elevational view thereof;

FIG. 7 is a bottom plan view thereof.



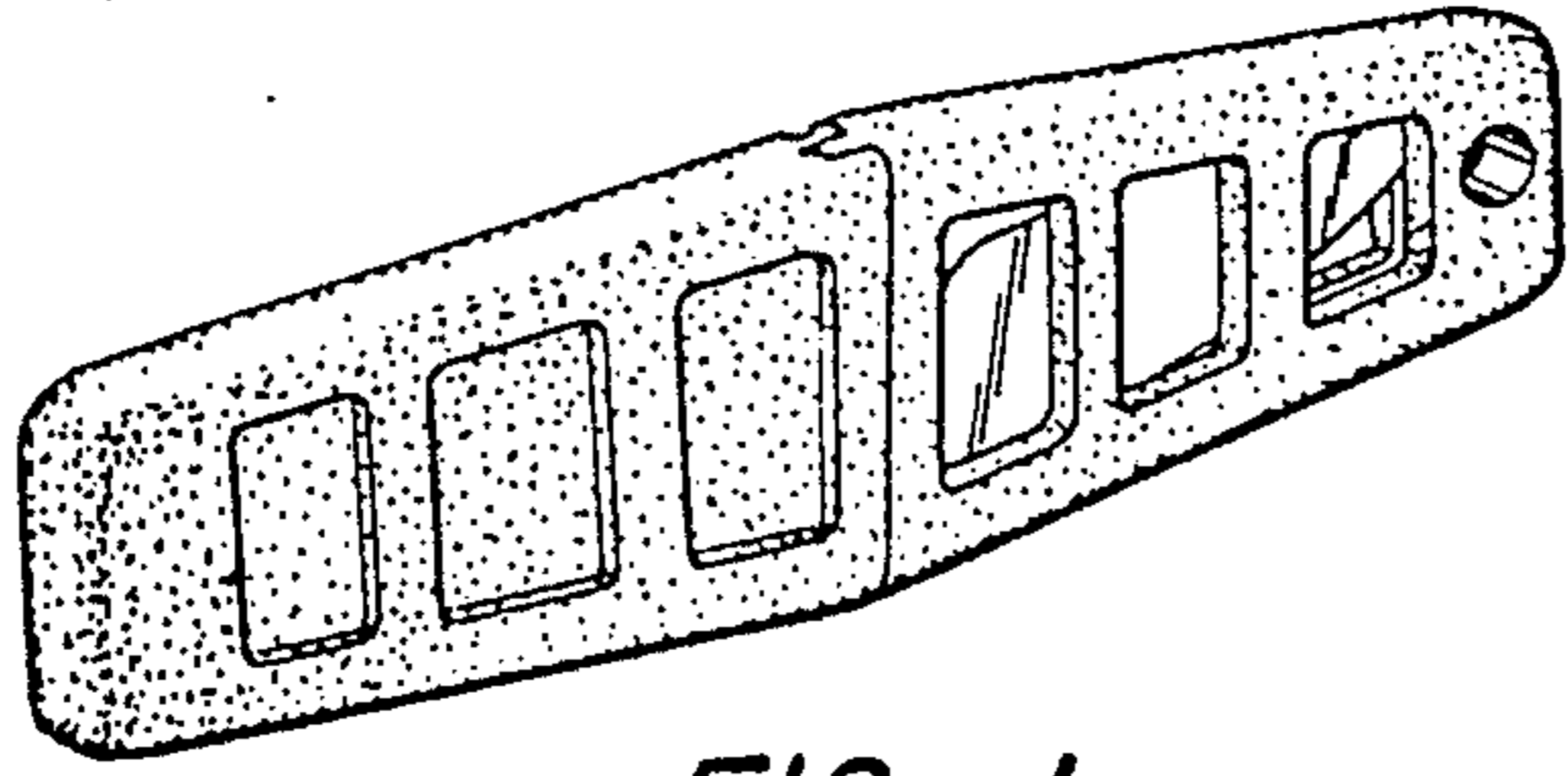


FIG. 1.

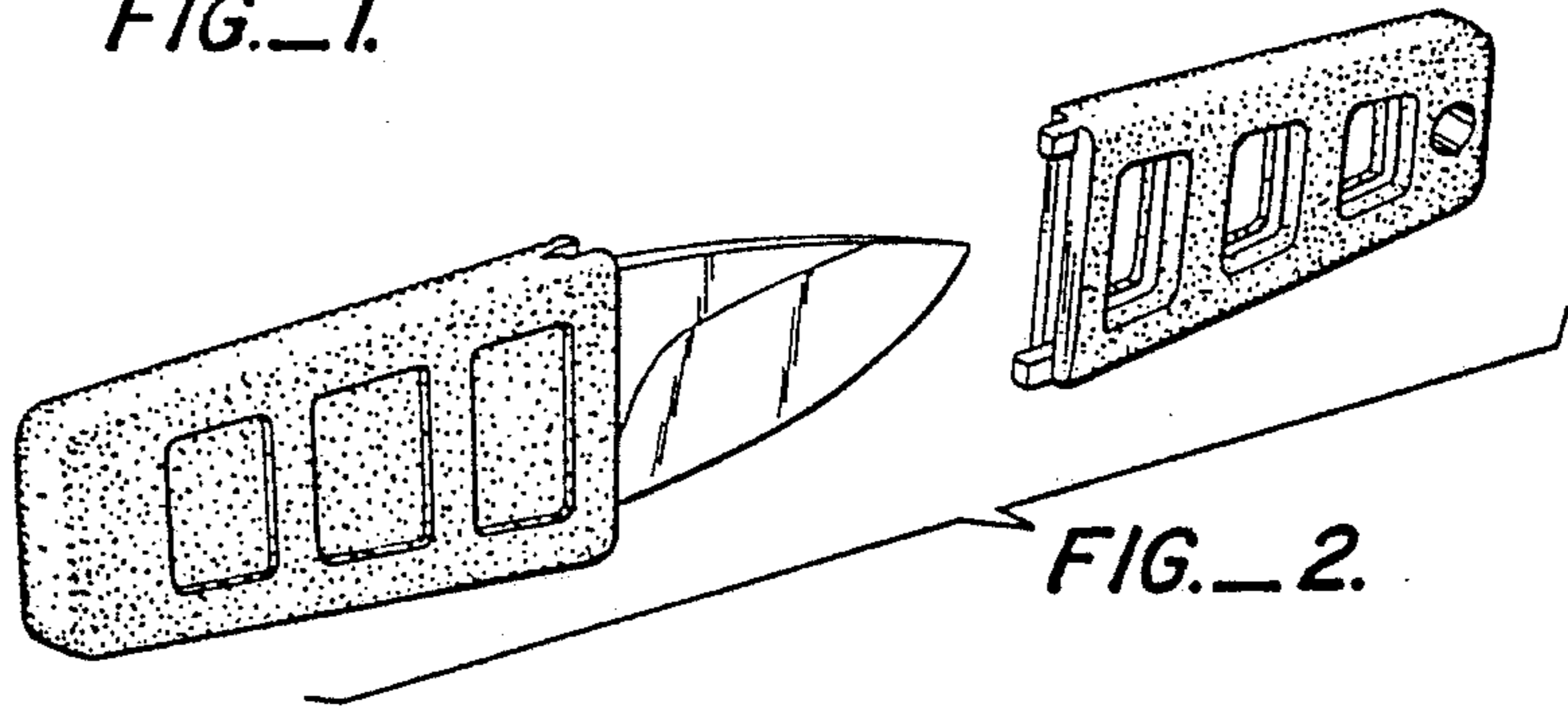


FIG. 2.



FIG. 3.

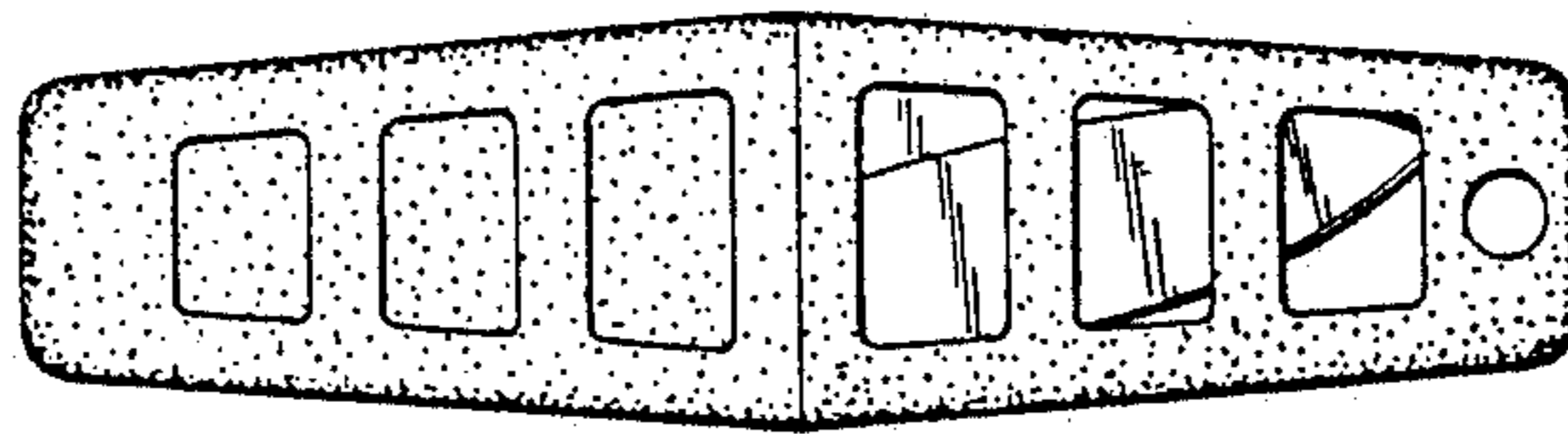


FIG. 6.



FIG. 7.



FIG. 4.

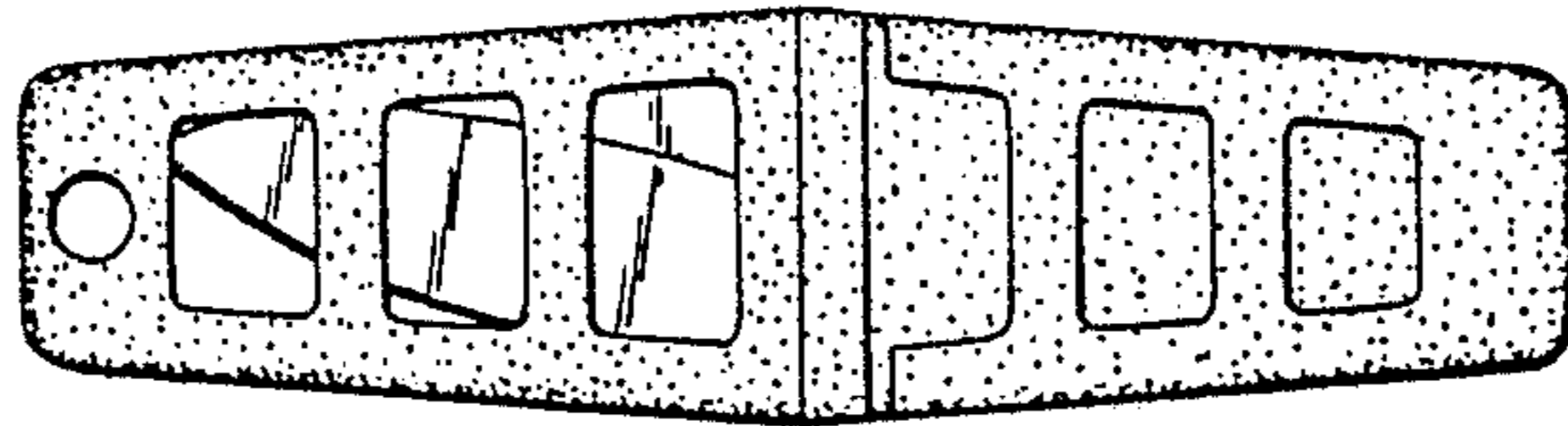


FIG. 5.