

[54] **OIL FILTER WRENCH**

[76] **Inventor: Alvin M. Jacobson, Rte. 1, Box 67,
Ostrander, Minn. 55961**

[**] **Term: 14 Years**

[21] **Appl. No.: 856,106**

[22] **Filed: Apr. 21, 1986**

[52] **U.S. Cl. D8/21**

[58] **Field of Search D8/14-17,
D8/19-29, 105, 107; 81/3.43, 64; 7/100**

[56] **References Cited**

U.S. PATENT DOCUMENTS

D. 238,850	2/1976	Gensen	D8/22
1,898,409	2/1933	Underwood	81/64
3,465,622	9/1969	Winans	81/64
3,686,984	8/1972	Kelso	81/64
3,838,615	10/1974	McFarland et al.	D8/21 X

FOREIGN PATENT DOCUMENTS

466487 7/1950 Canada 181/3.43

Primary Examiner—Bruce W. Dunkins

Assistant Examiner—Clare E. Heflin

Attorney, Agent, or Firm—Burd, Bartz & Gutenkauf

[57] **CLAIM**

The ornamental design for an oil filter wrench, as shown and described.

DESCRIPTION

FIG. 1 is a perspective view of the oil filter wrench showing my new design;

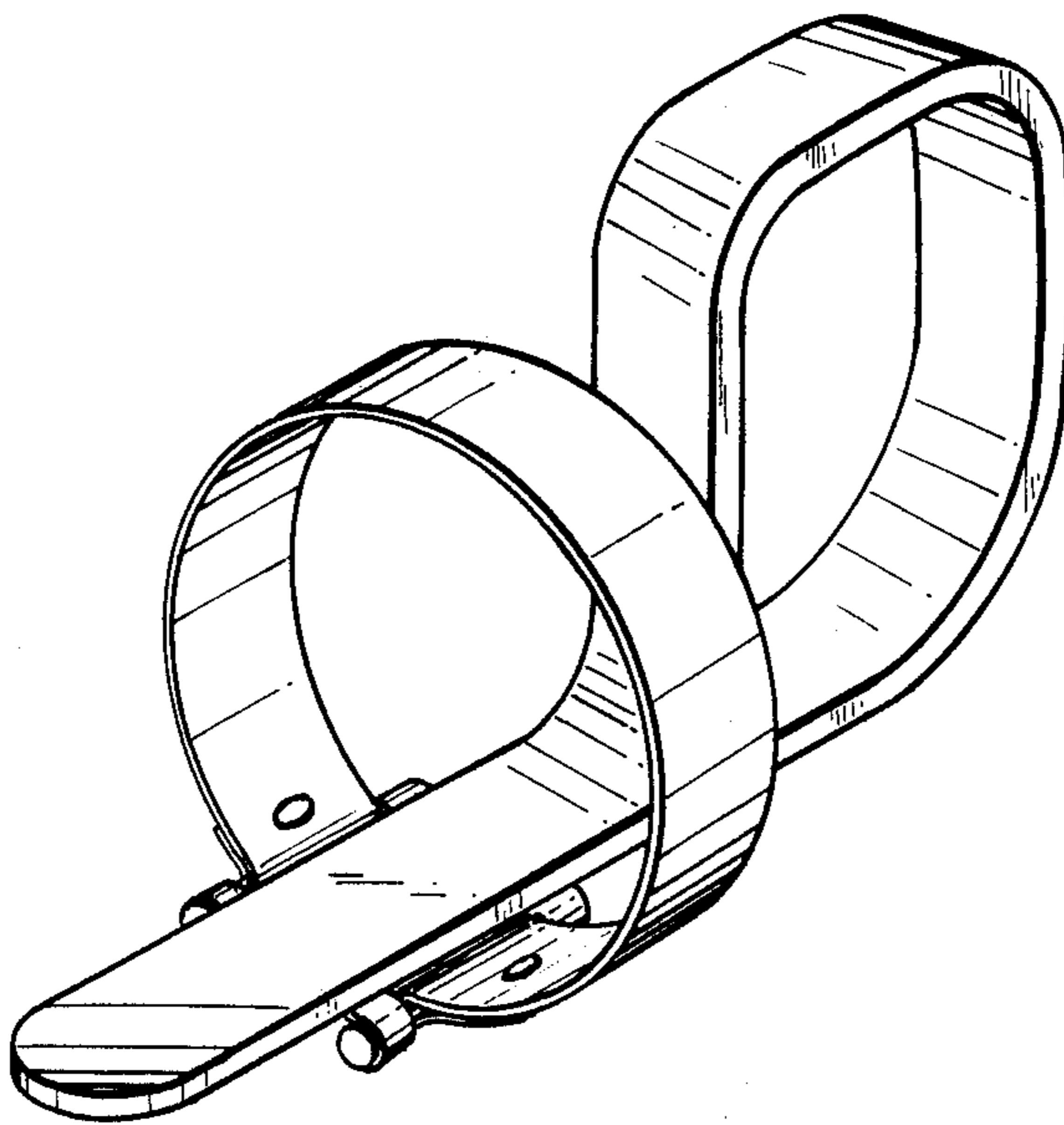
FIG. 2 is a side elevational view thereof, the opposite side being a mirror image thereof;

FIG. 3 is a top plan view thereof;

FIG. 4 is a front elevational view thereof;

FIG. 5 is a rear elevational view thereof;

FIG. 6 is a bottom plan view thereof.



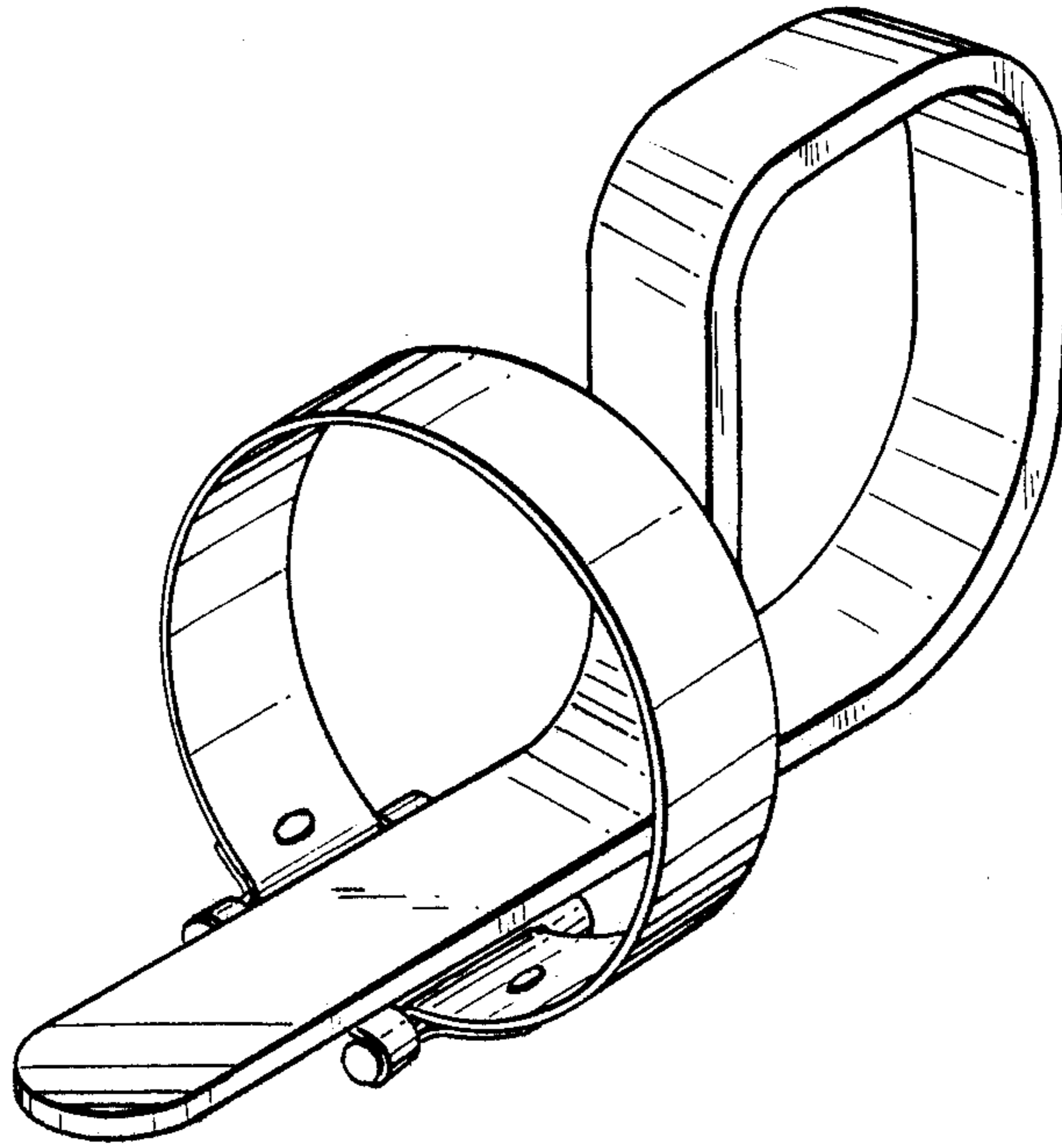


FIG. 1

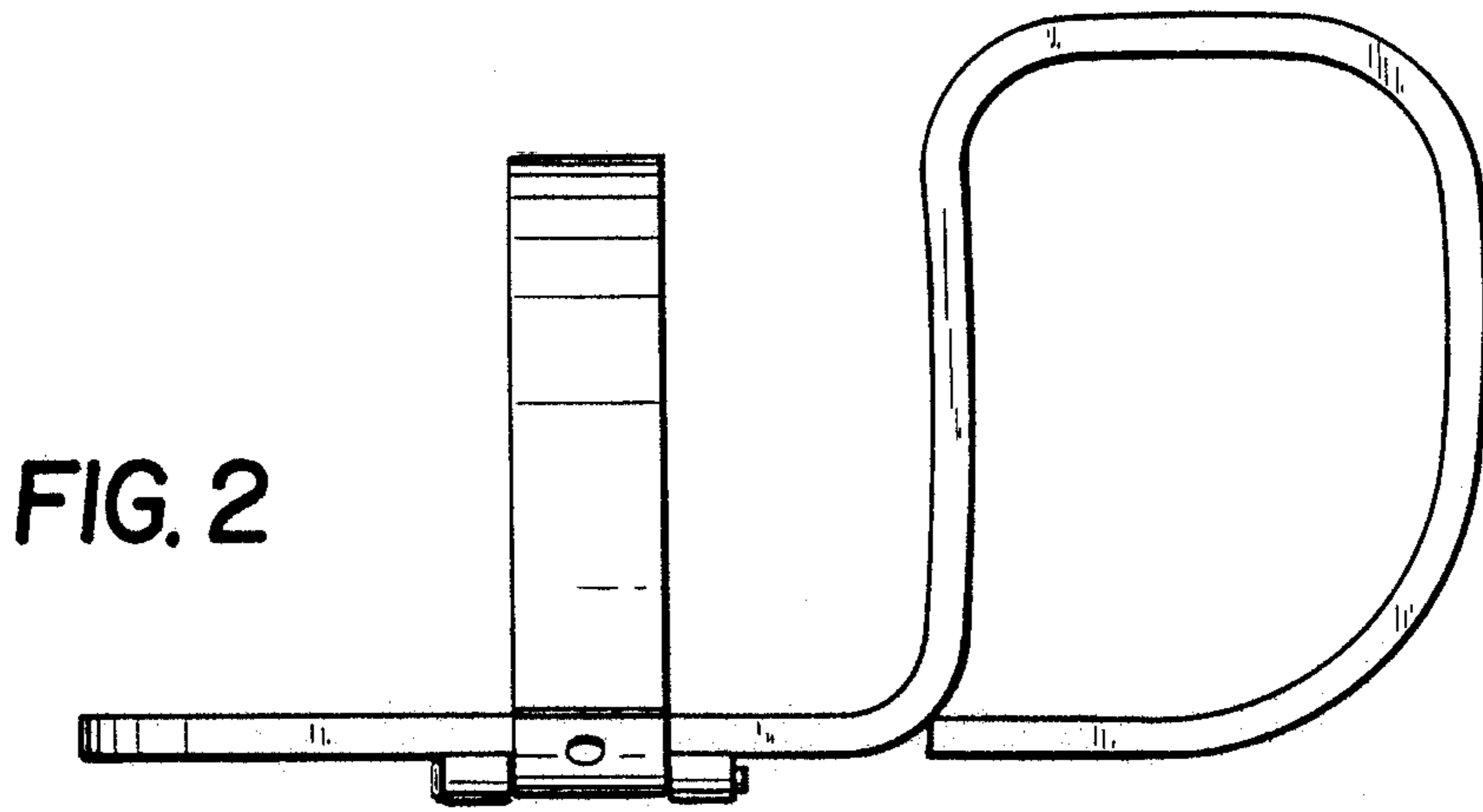


FIG. 2

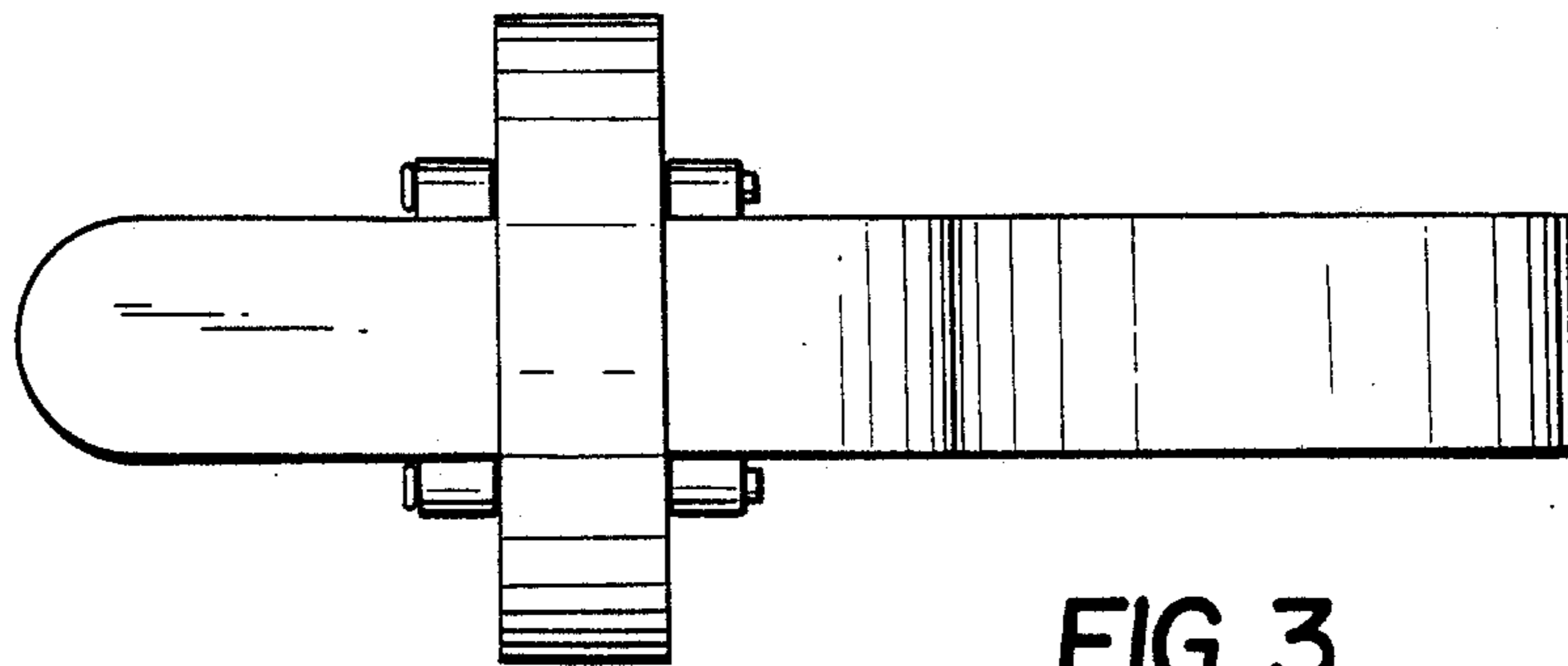


FIG. 3

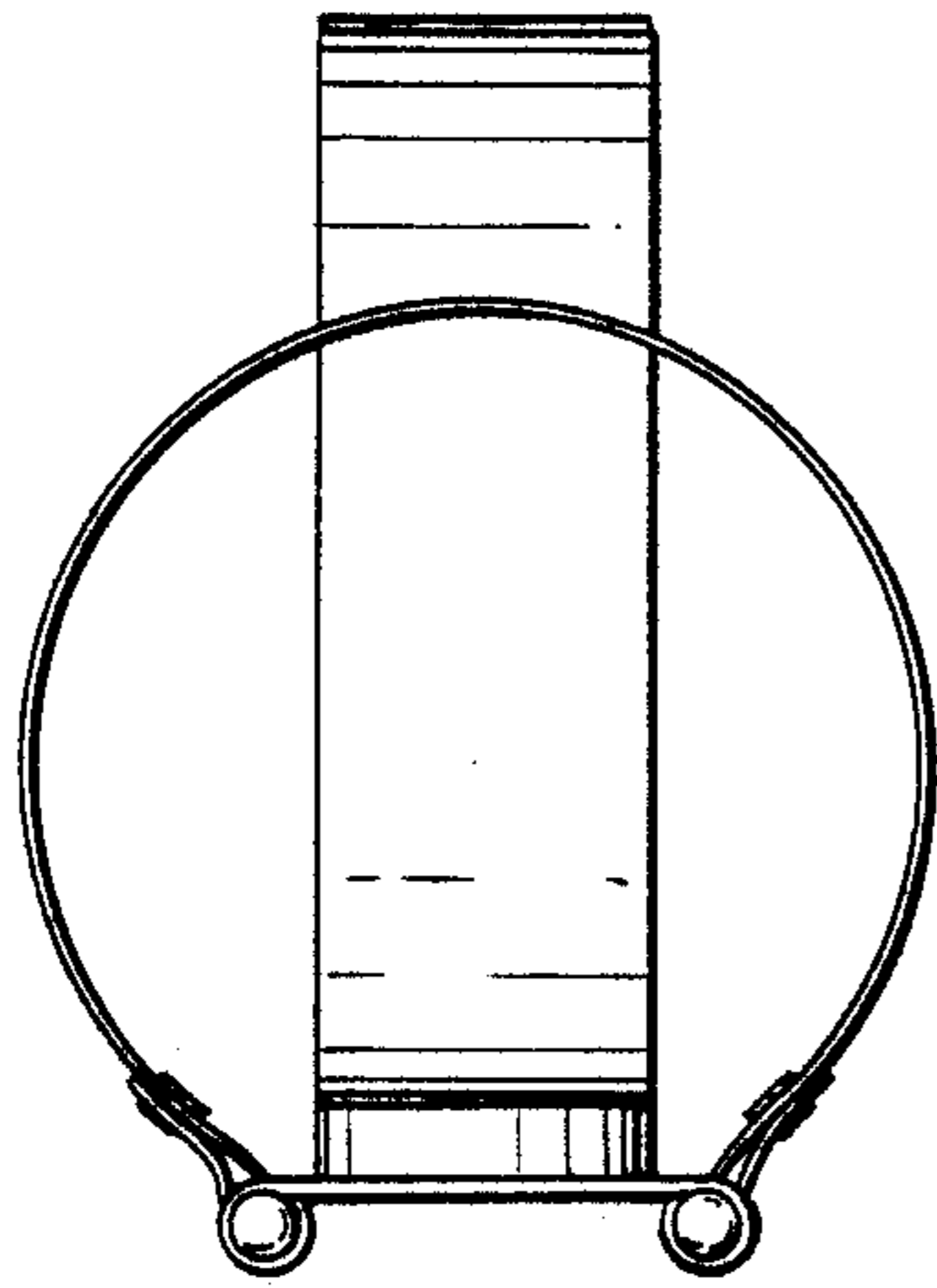


FIG. 4

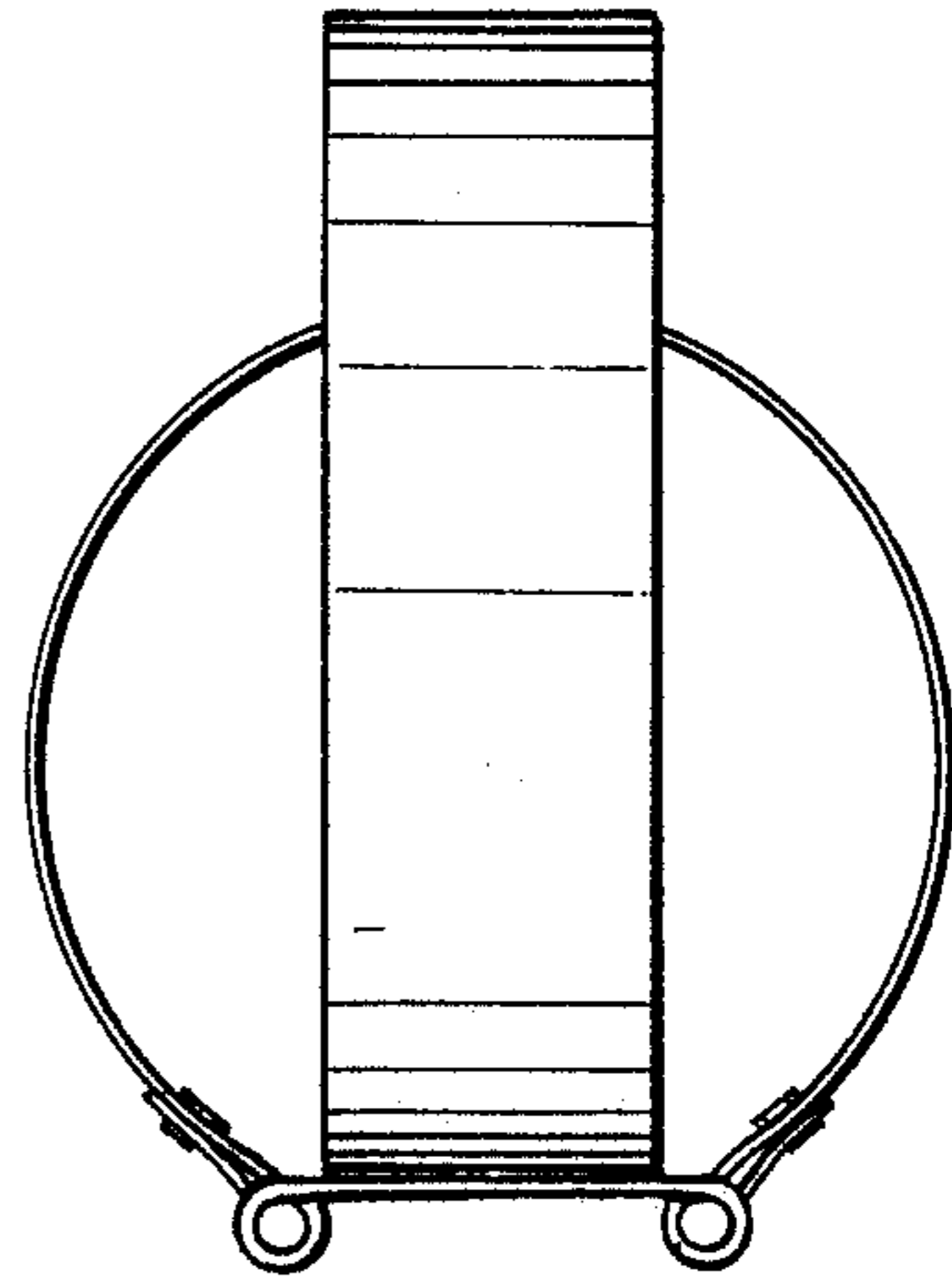


FIG. 5

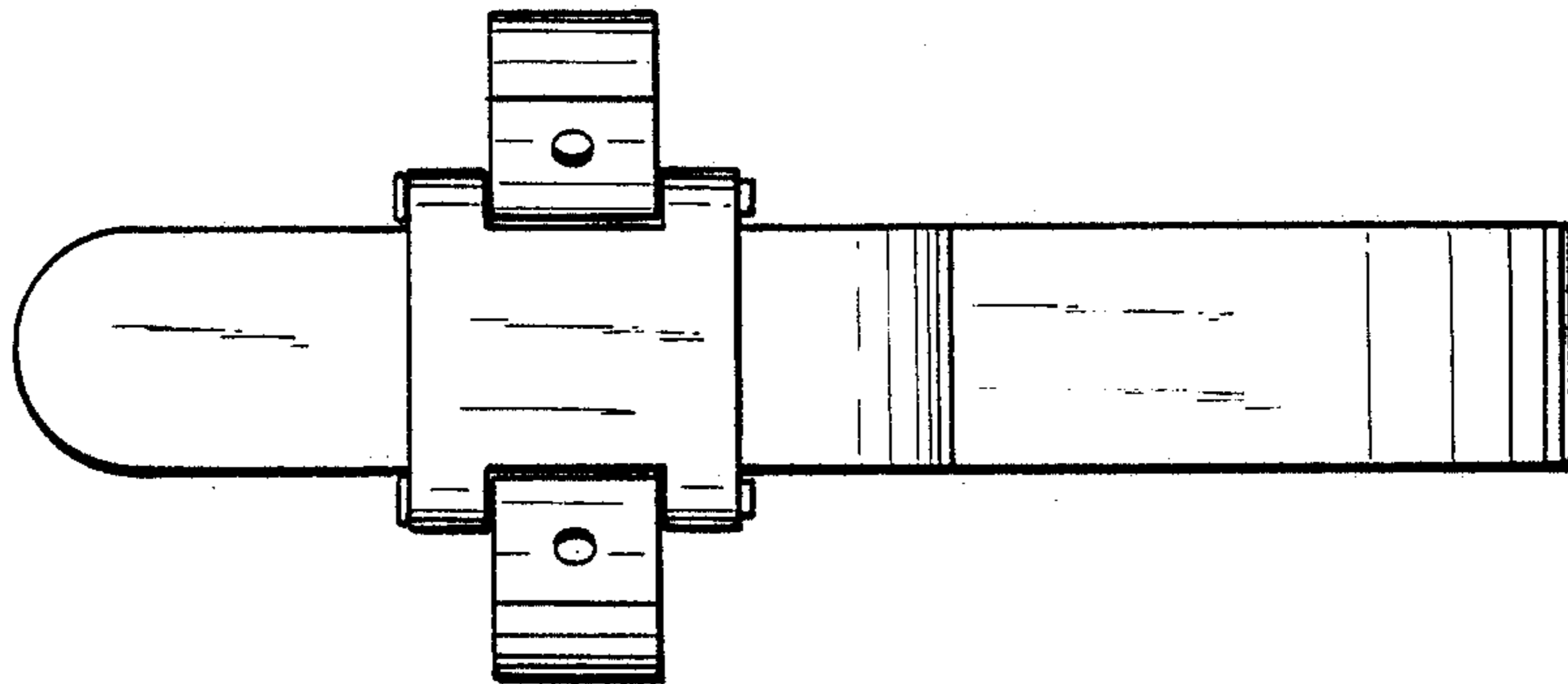


FIG. 6