

[54] ELECTRIC COFFEE POT

[75] Inventor: Pierre Paulin, Paris, France

[73] Assignee: Calor S.A., Lyons, France

[**] Term: 14 Years

[21] Appl. No.: 885,314

[22] Filed: Jul. 14, 1986

[30] Foreign Application Priority Data

Jan. 31, 1986 [FR] France 860,485

[52] U.S. Cl. D7/309; D7/313

[58] Field of Search D7/300, 312, 316, 320-322,
D7/77, 309, 310, 308, 313

[56] References Cited

U.S. PATENT DOCUMENTS

D. 96,606	8/1935	Heath	D7/309
D. 199,408	10/1964	Felske	D7/313
D. 200,148	1/1965	Sebastian	D7/309
D. 200,755	4/1965	Sebastian	D7/313
D. 241,219	8/1976	Martin	D7/309
D. 248,718	8/1978	Little	D7/313

OTHER PUBLICATIONS

Hamilton Beach Supplement to HFD, Jul. 9, 1979, sec. two, p. 1, bottom r. panel-4 Cup Espresso Maker.

Primary Examiner—Winifred E. Herrmann
Attorney, Agent, or Firm—Young & Thompson

[57] CLAIM

The ornamental design for an electric coffee pot, as shown and described.

DESCRIPTION

FIG. 1 is a front elevational view of an electric coffee pot showing my new design

FIG. 2 is a rear elevational view thereof

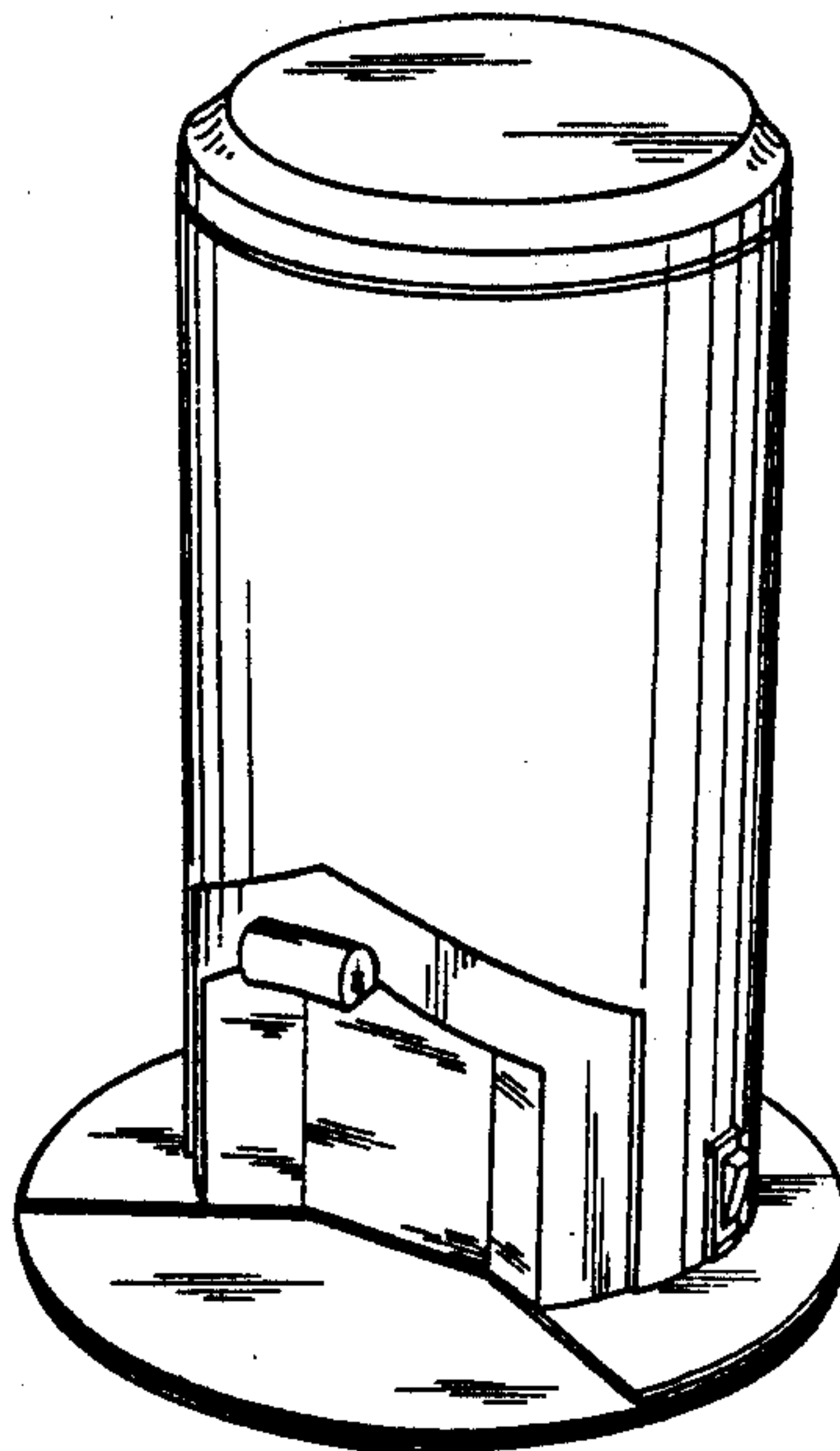
FIG. 3 is a right side elevational view thereof, the side opposite is a mirror image thereof;

FIG. 4 is a top plan view thereof

FIG. 5 is a front perspective view thereof; and

FIG. 6 is another front perspective view with the lid omitted for convenience of illustration.

The undisclosed bottom of the electric coffee pot is conventional in appearance.



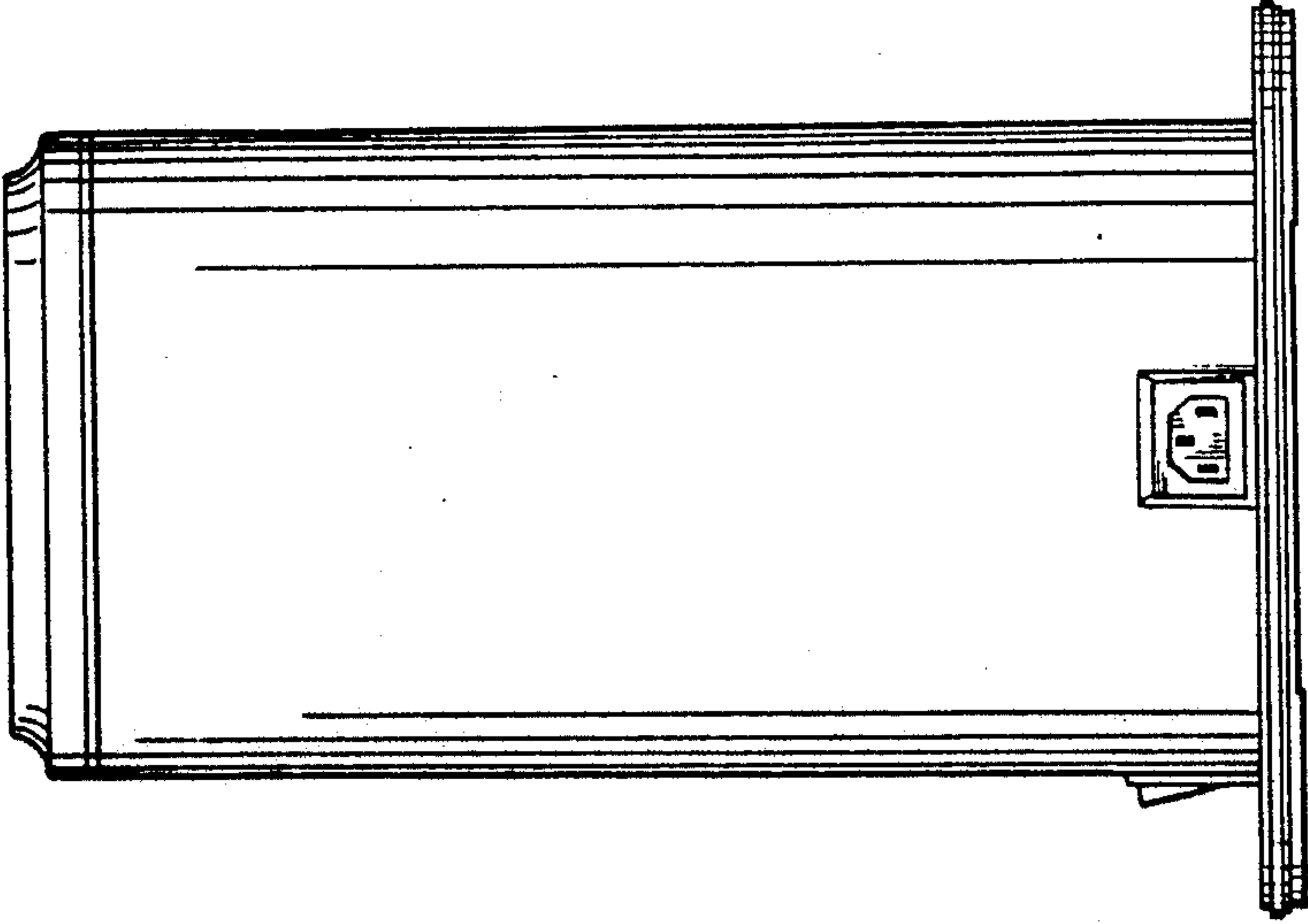


FIG. 2

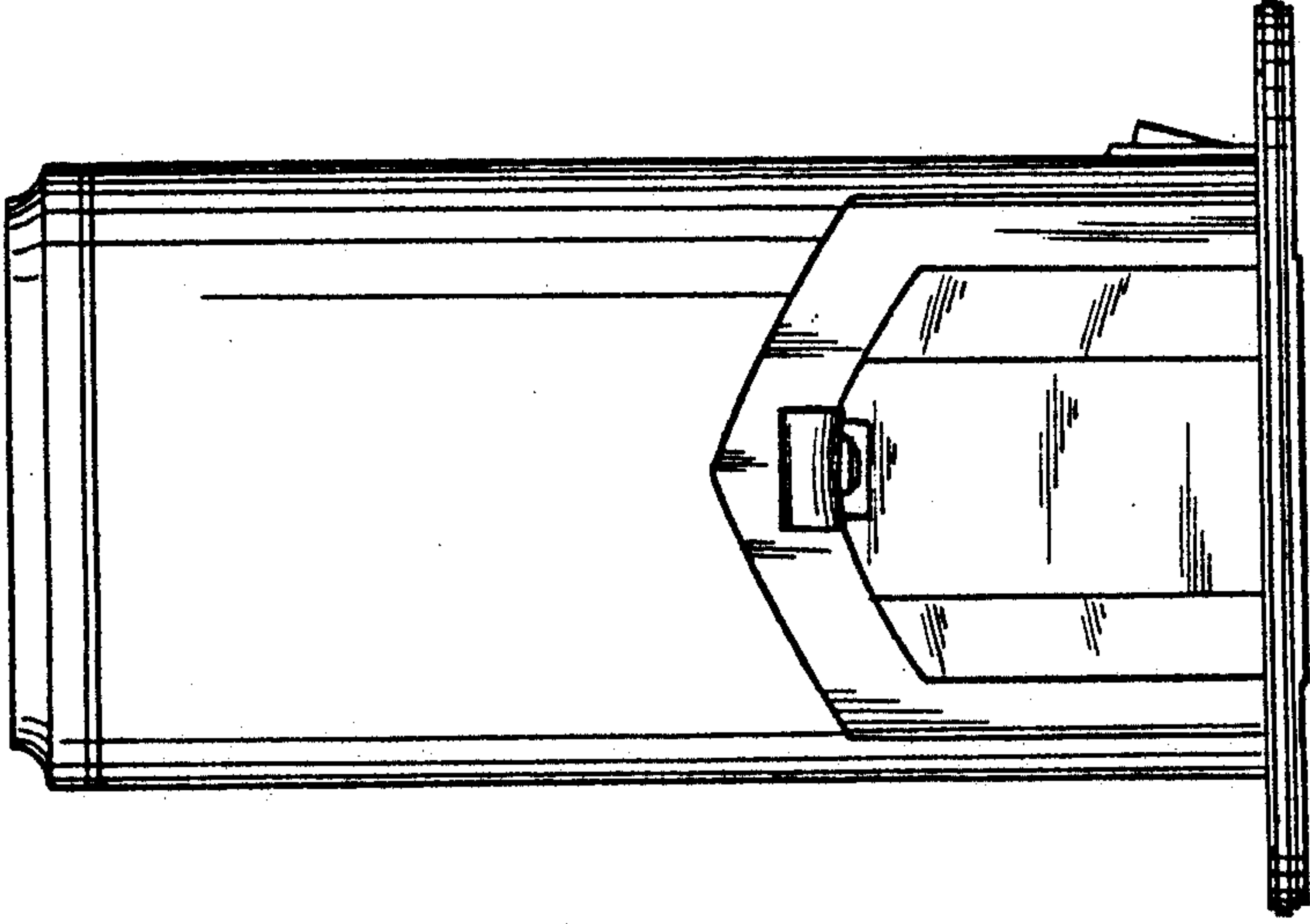


FIG. 1

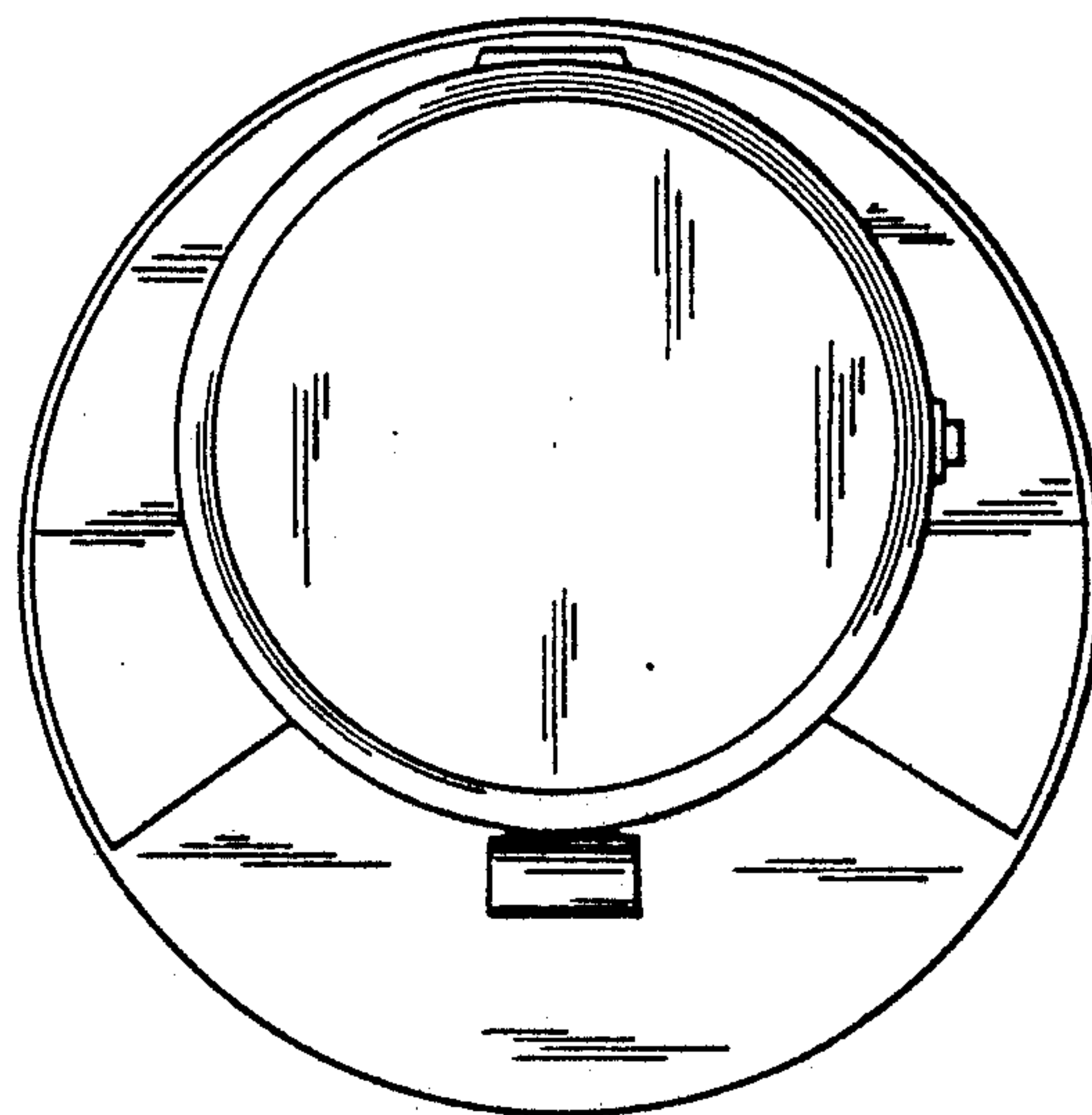


FIG. 4

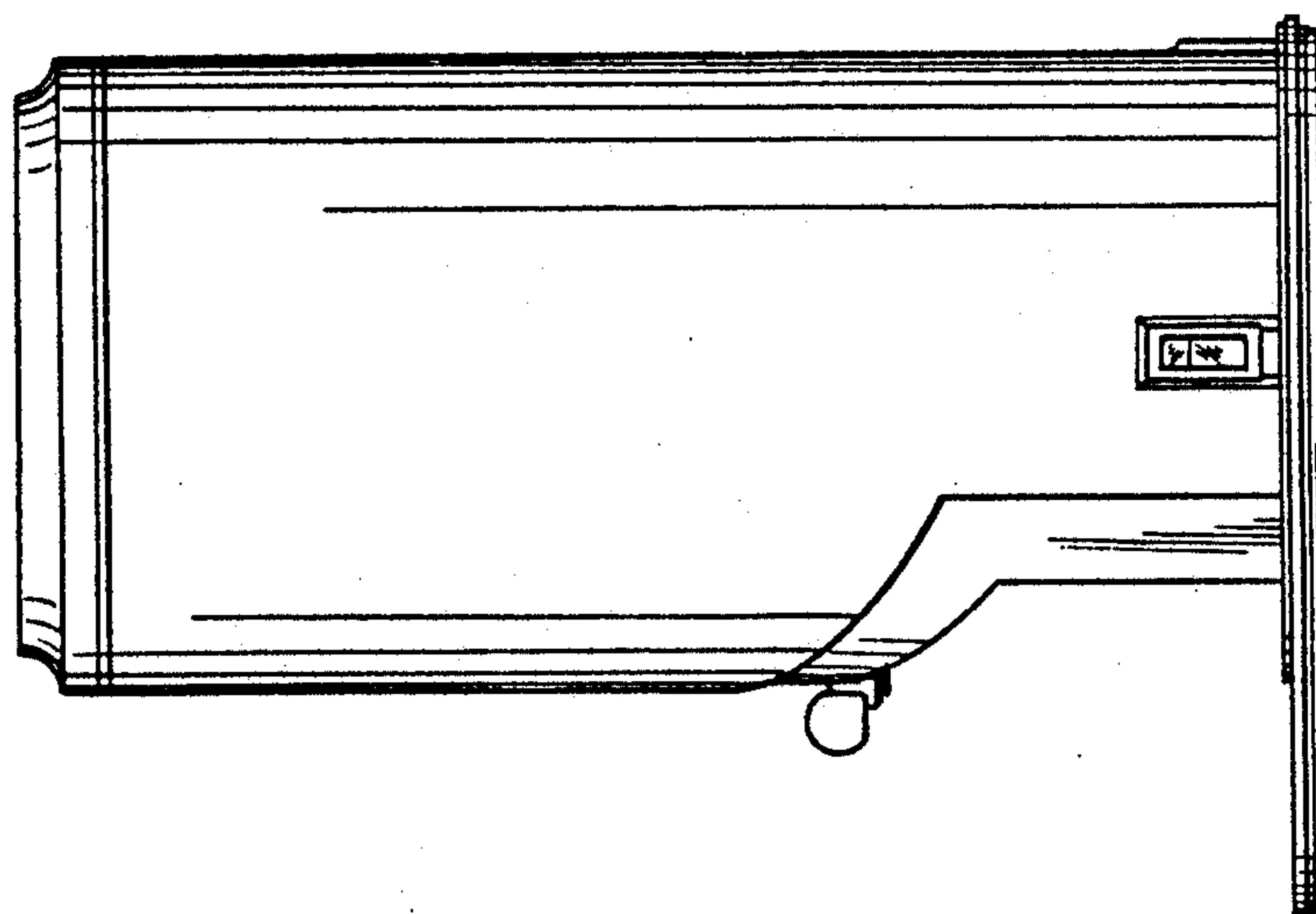


FIG. 3

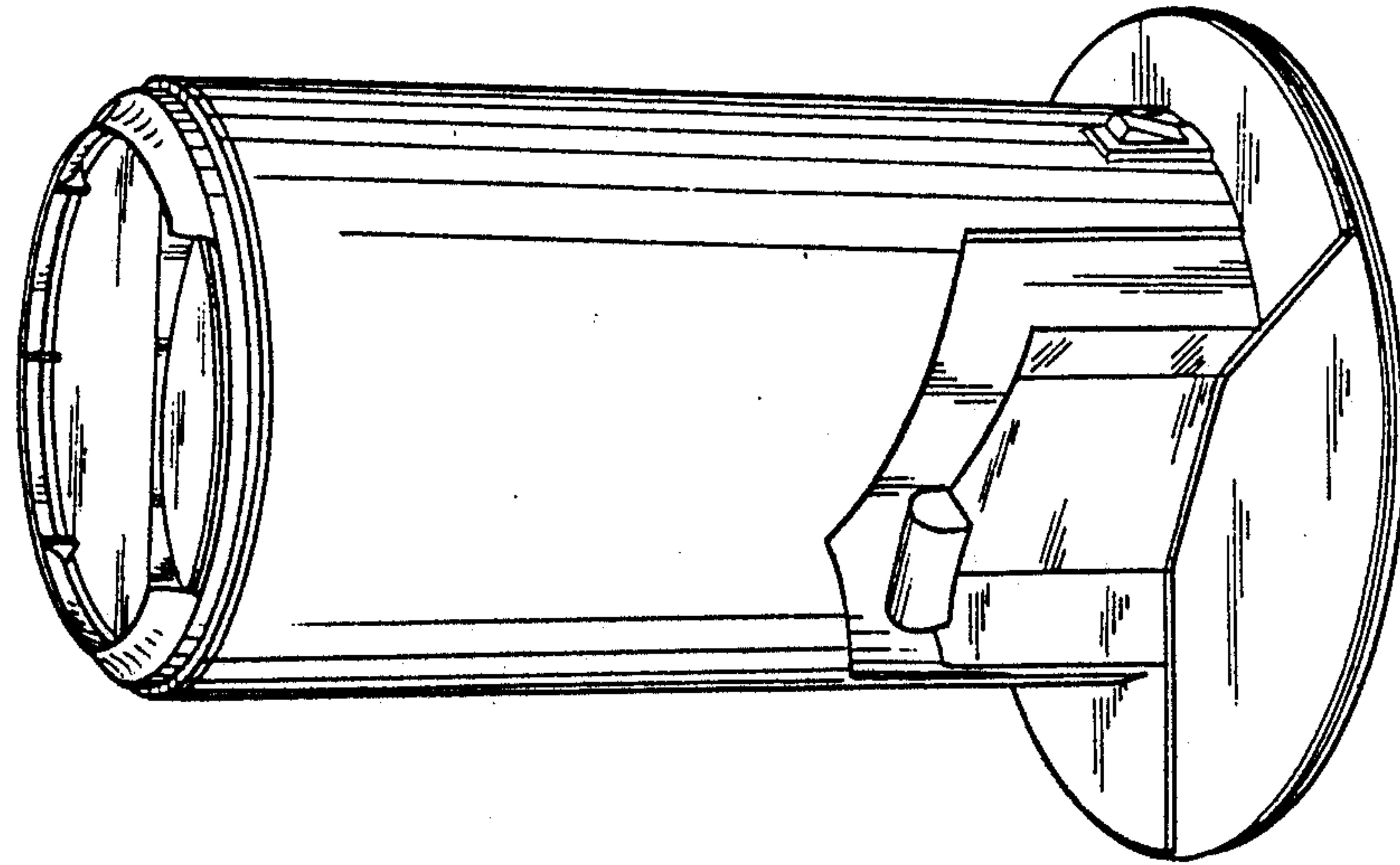


FIG. 6

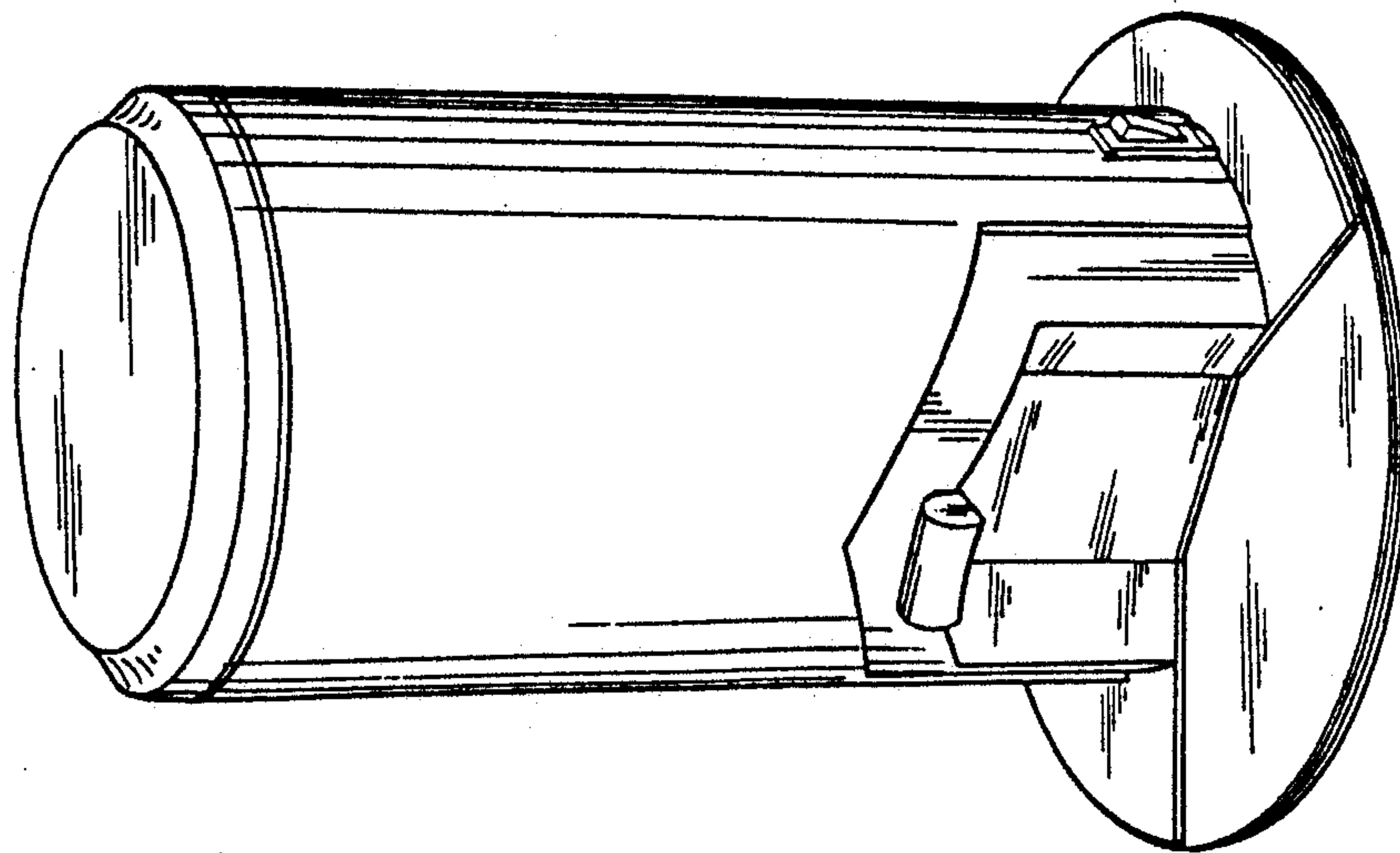


FIG. 5