

[54] **COFFEE MACHINE**

[75] **Inventor: Virgino Cortese, Turin, Italy**

[73] **Assignee: Essegelle S.r.l., Turin, Italy**

[**] **Term: 14 Years**

[21] **Appl. No.: 806,249**

[22] **Filed: Dec. 5, 1985**

[30] **Foreign Application Priority Data**

Sep. 23, 1985 [IT] Italy 53836/85[U]

[52] **U.S. Cl. D7/309; D7/311**

[58] **Field of Search D7/300, 305, 309, 310,
D7/308, 312, 397, 398, 399, 311**

[56] **References Cited**

U.S. PATENT DOCUMENTS

D. 174,468	4/1955	Radaelli	D7/309
D. 281,943	12/1985	Rosalgino	D7/309
D. 288,164	2/1987	Stützer et al.	D7/309
D. 292,258	10/1987	Diefenbach	D7/309

OTHER PUBLICATIONS

Schoner Wohnen, Aug., 1985, p. 52, bottom left, Espresso Machine.

HFD Supplement, section two, Hamilton Beach adv., Jul. 9, 1979, p. 1, Espresso Maker at bottom right.

Abitare 220, Dec. 1983, p. 61, item #4, "Kemi" Espresso Coffee Machine by Bauknecht Italiana.

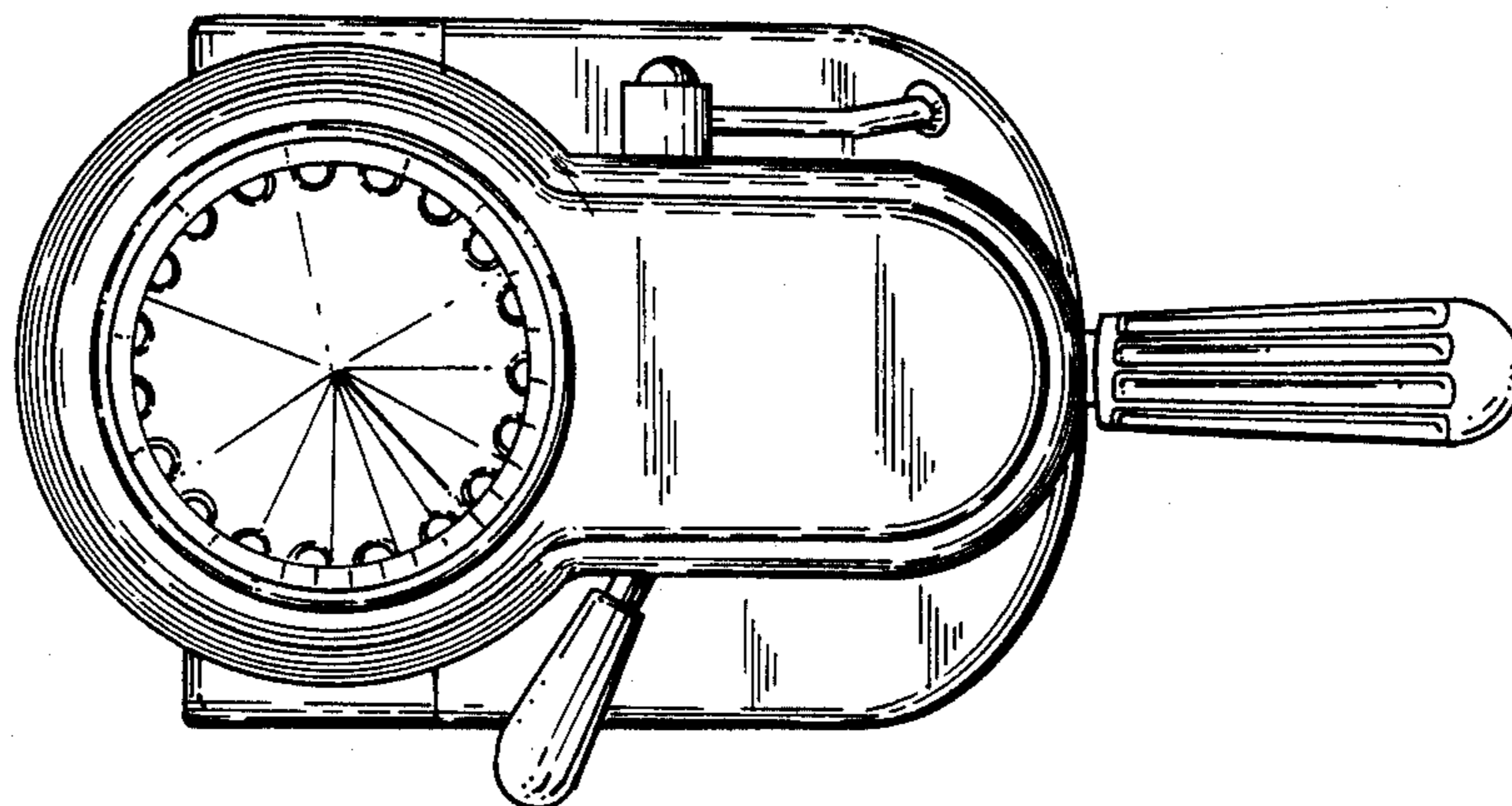
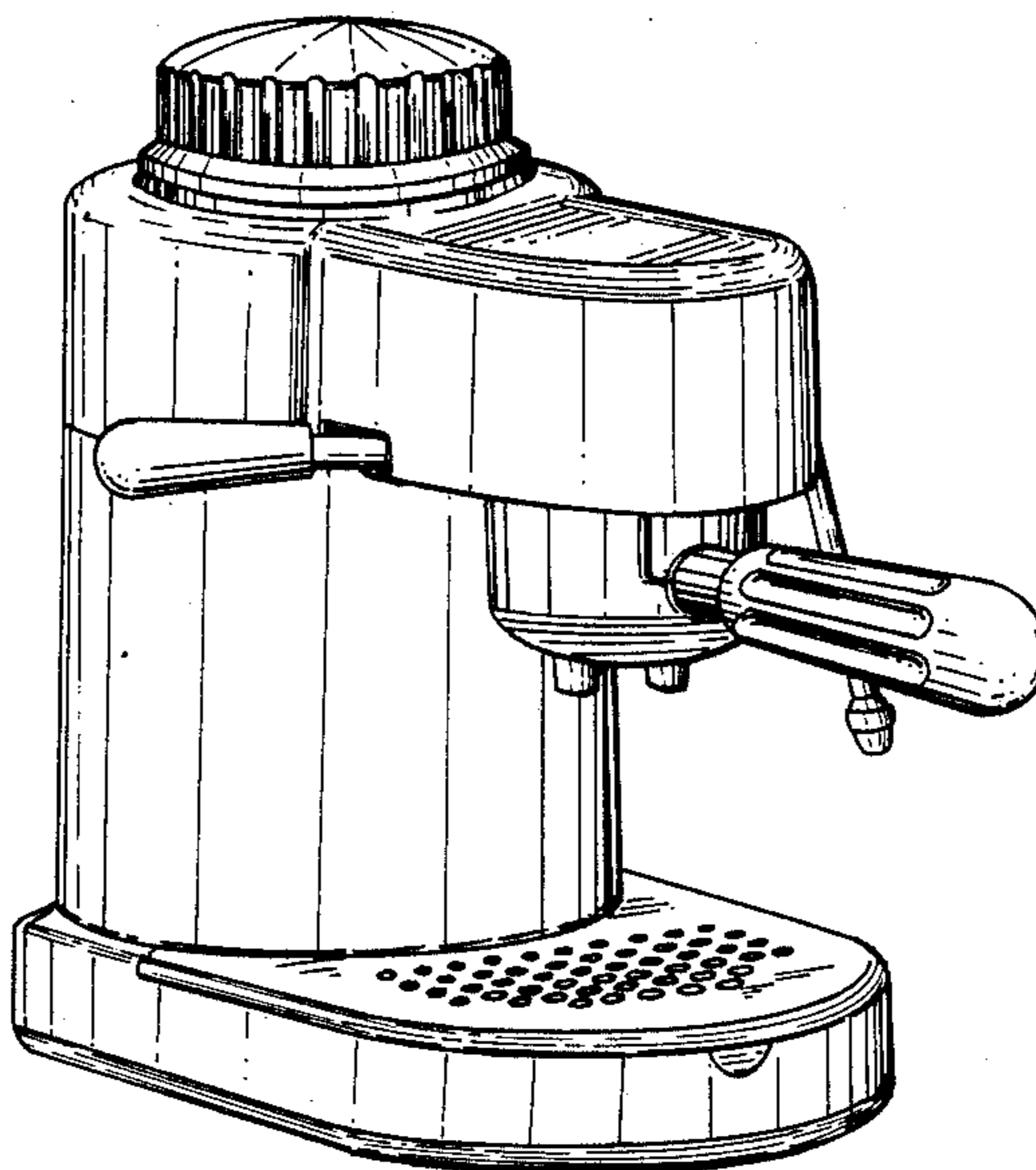
Primary Examiner—Winifred E. Herrmann
Attorney, Agent, or Firm—Klauber & Jackson

[57] **CLAIM**

The ornamental design for a coffee machine, as shown and described.

DESCRIPTION

FIG. 1 is a top, front, and left side perspective view of a coffee machine showing my new design; FIG. 2 is a right side elevational view thereof; FIG. 3 is a left side elevational view thereof; FIG. 4 is a front elevational view thereof; FIG. 5 is a rear elevational view thereof; FIG. 6 is a top plan view thereof; and FIG. 7 is a bottom plan view thereof.



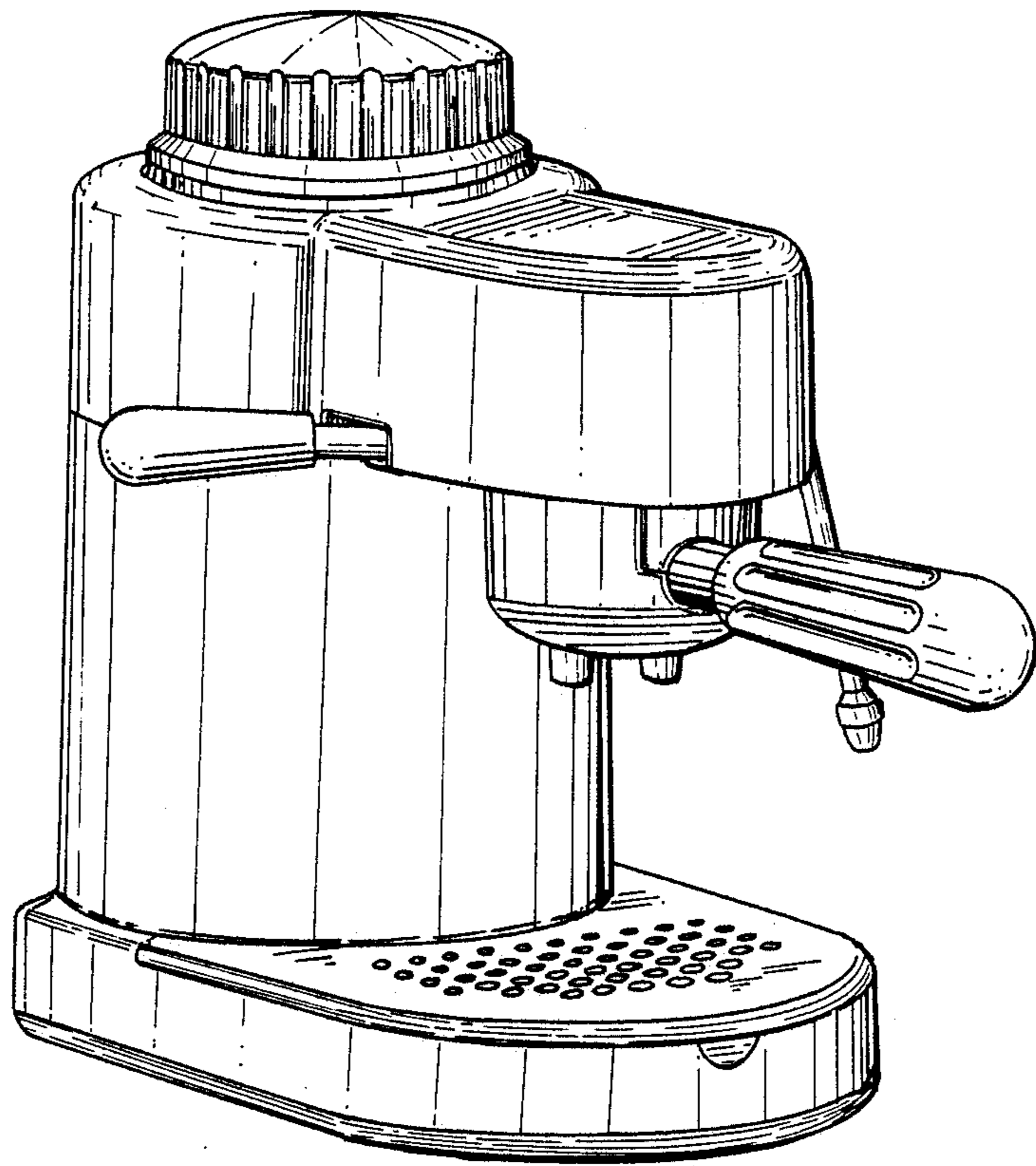


FIG. 1

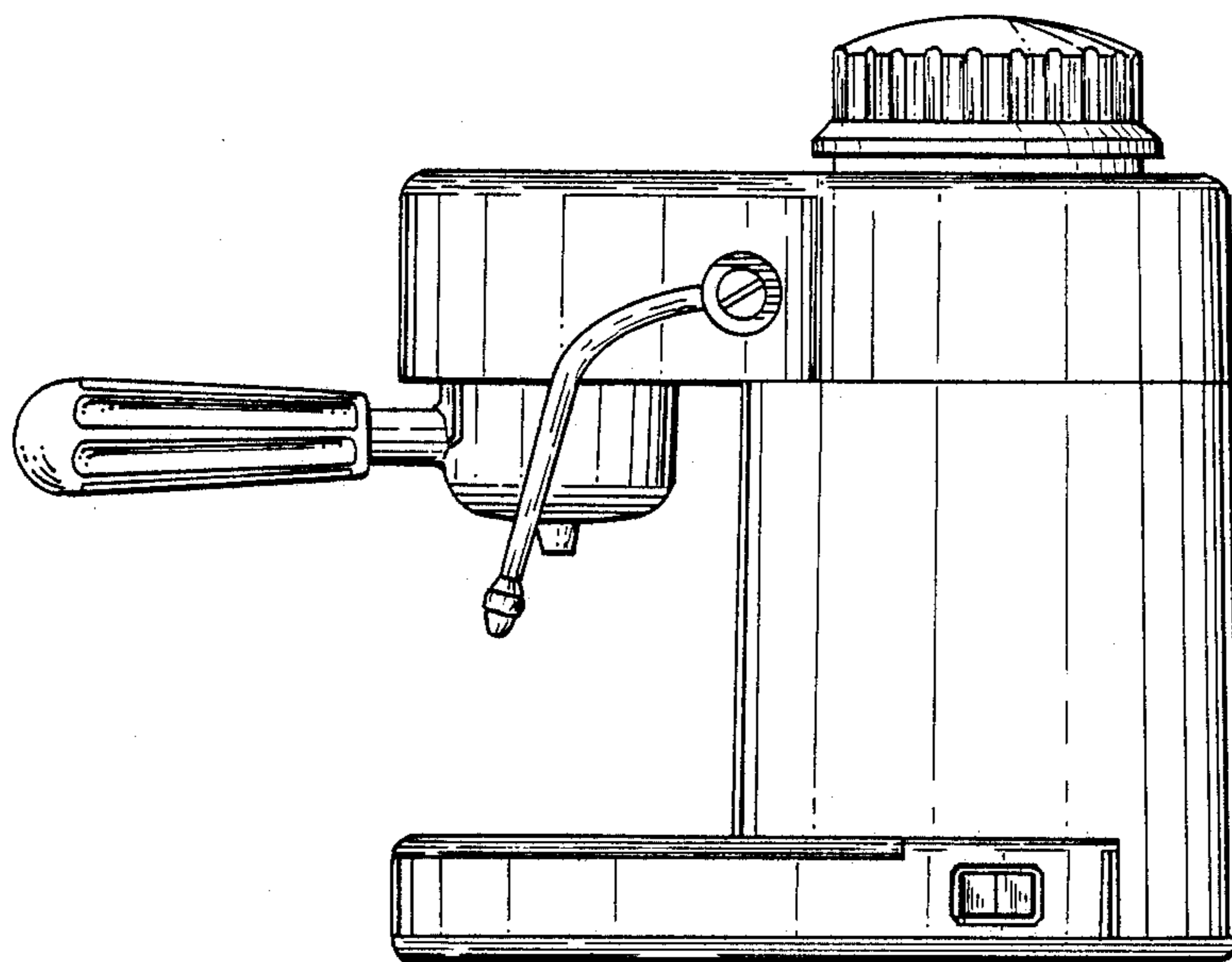


FIG. 2

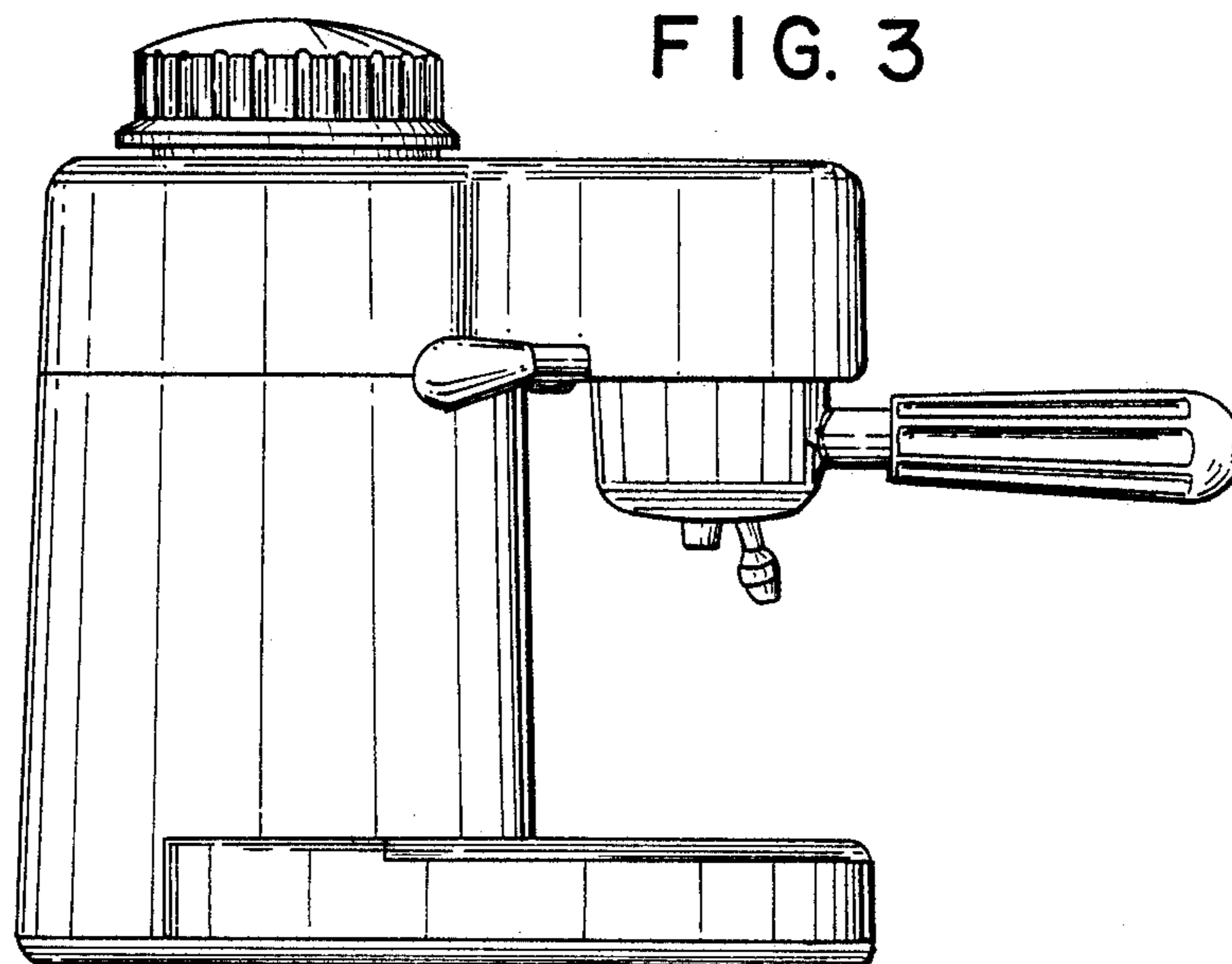


FIG. 3

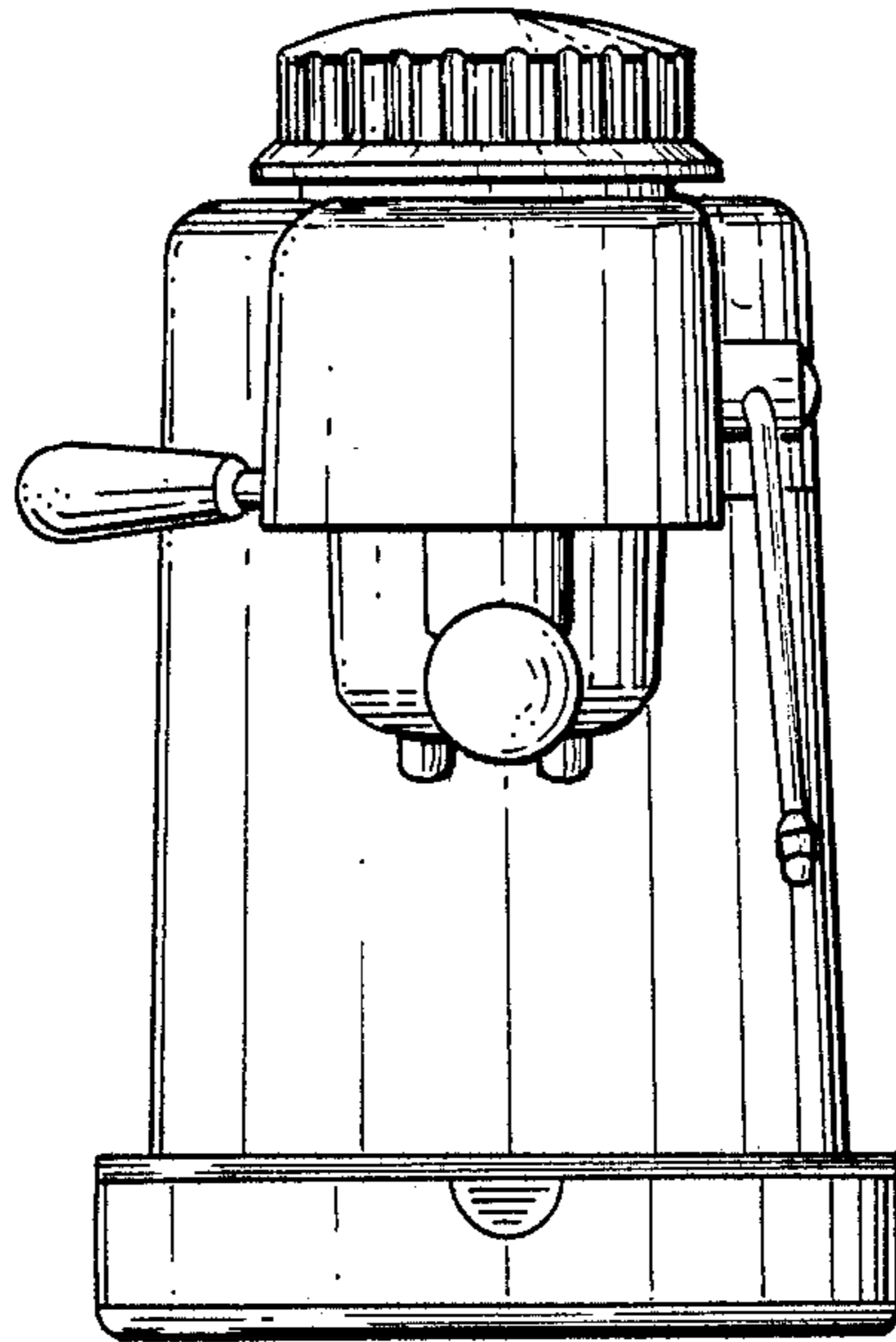


FIG. 4

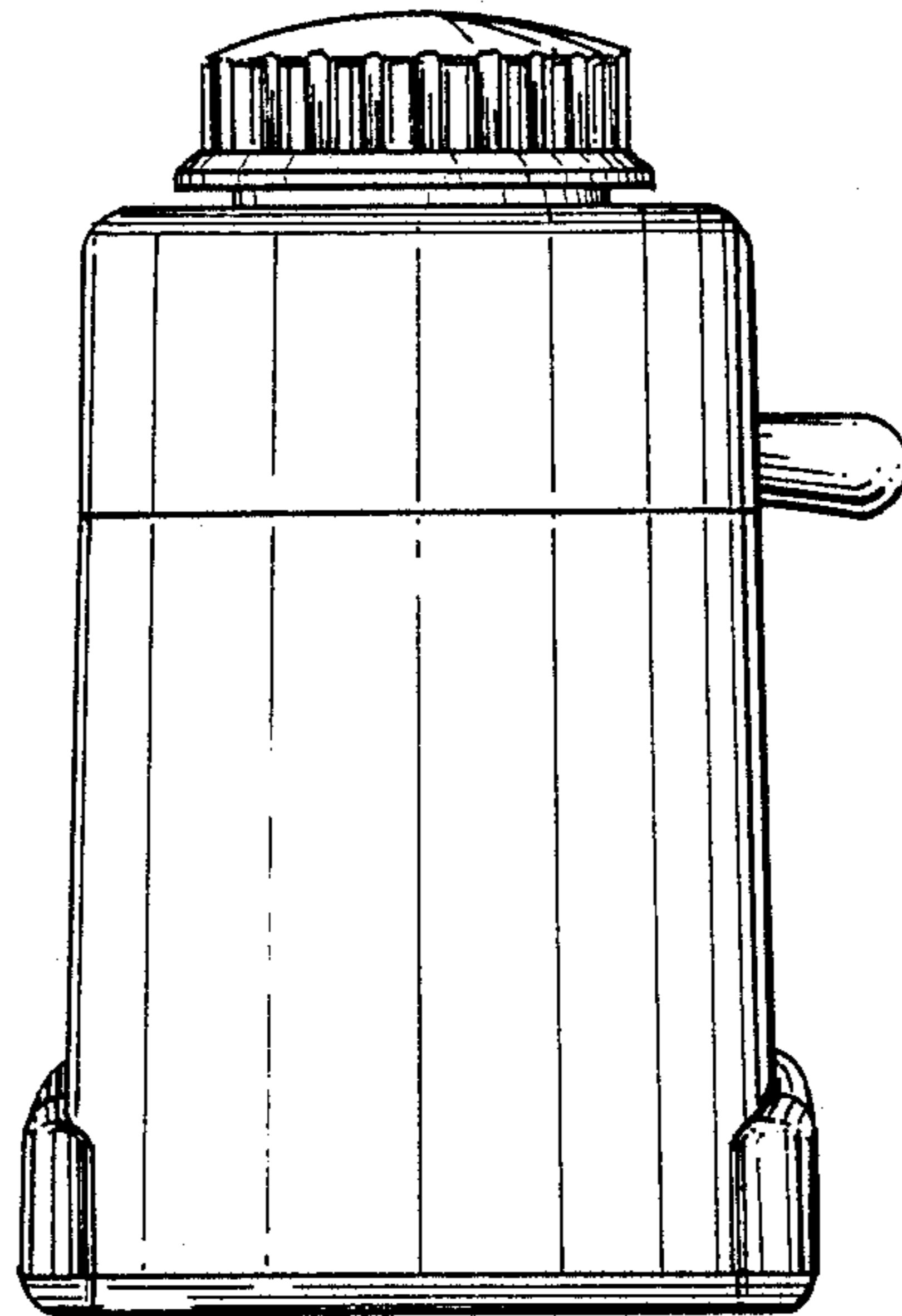


FIG. 5

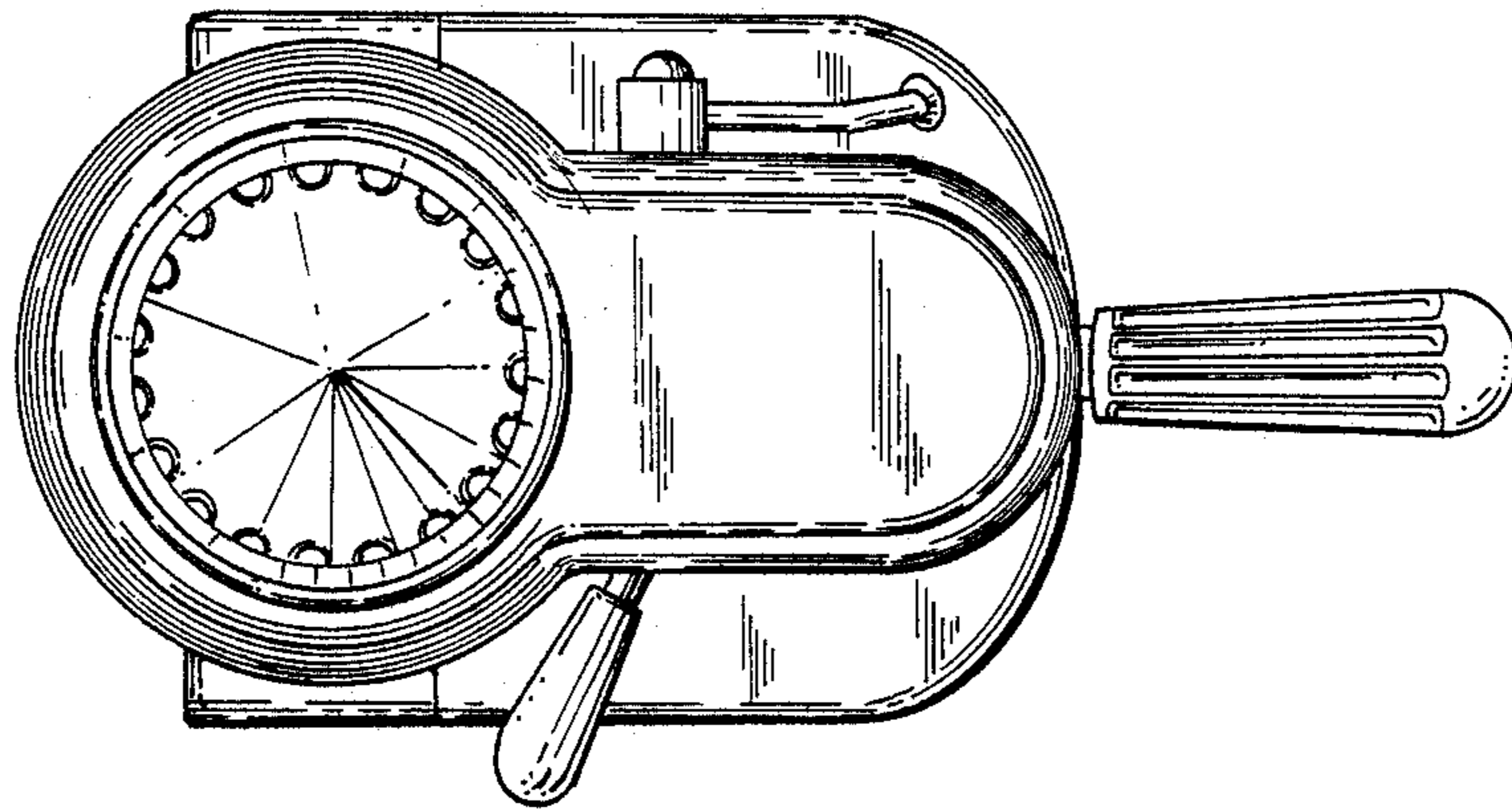


FIG. 6

FIG. 7

