

[54] **COMBINED COFFEE MAKER AND PITCHER**

[75] **Inventor: Max Klein, Hollywood, Fla.**

[73] **Assignee: Salton Housewares, Inc., Niles, Ill.**

[**] **Term: 14 Years**

[21] **Appl. No.: 850,357**

[22] **Filed: Apr. 4, 1986**

[52] **U.S. Cl. D7/300; D7/309**

[58] **Field of Search D7/300, 302, 303, 312, D7/316-322, 3, 309, 310, 311**

[56] **References Cited**

U.S. PATENT DOCUMENTS

- D. 139,232 10/1944 Timmis D7/308
D. 145,838 10/1946 Florian D7/300

- D. 145,839 10/1946 Florian D7/300
4,495,404 1/1985 Carmichael D7/317 X

Primary Examiner—Winifred E. Herrmann
Attorney, Agent, or Firm—Ronald A. Sandler; Timothy T. Patula

[57] **CLAIM**

The ornamental design for a combined coffee maker and pitcher, as shown.

DESCRIPTION

FIG. 1 is a front, top and right side perspective view of a combined coffee maker and pitcher showing my new design;
FIG. 2 is a left side elevational view thereof;
FIG. 3 is a top plan view thereof;
FIG. 4 is a front elevational view thereof;
FIG. 5 is a rear elevational view thereof; and
FIG. 6 is a bottom plan view thereof.

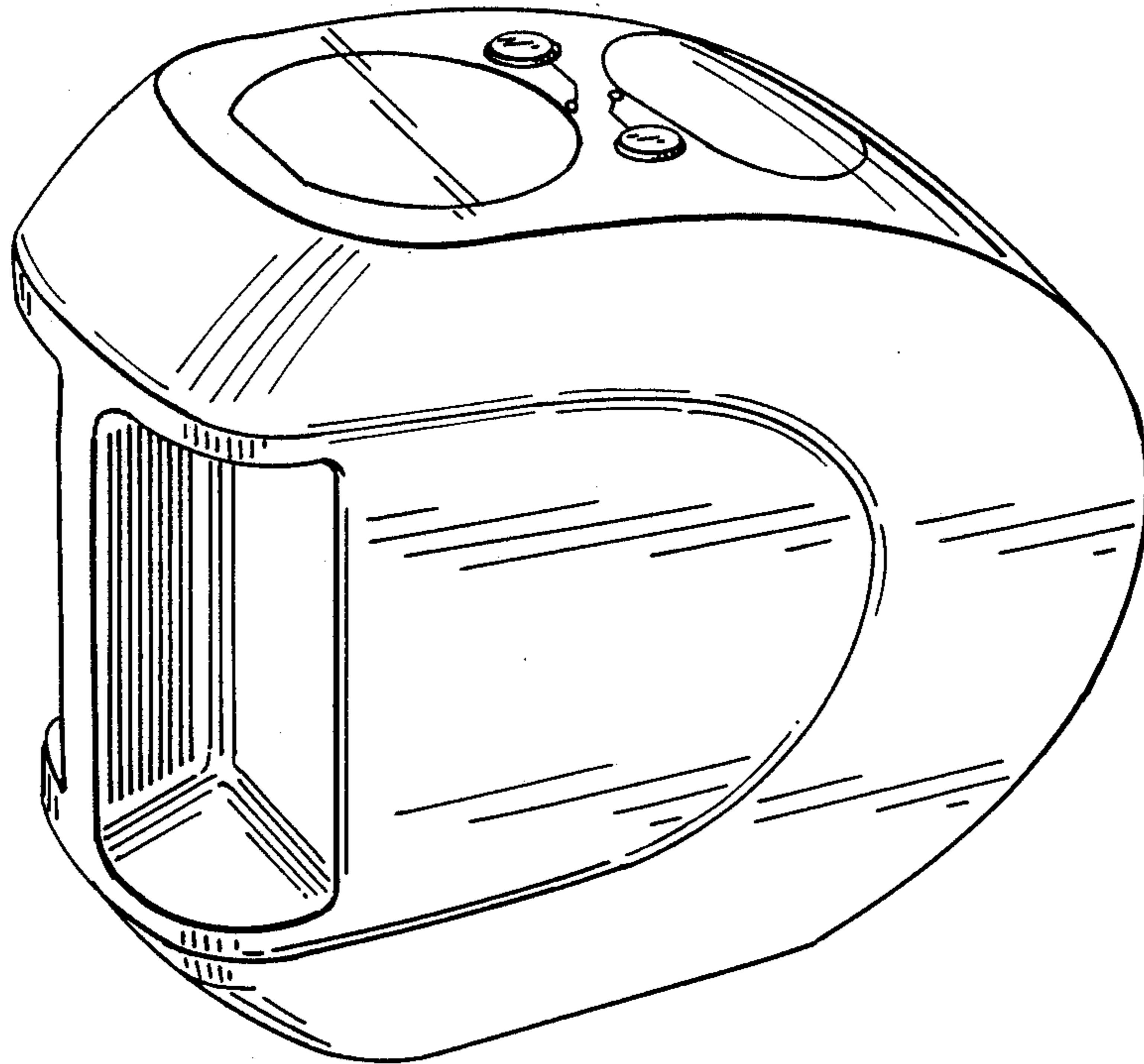


FIG. 1

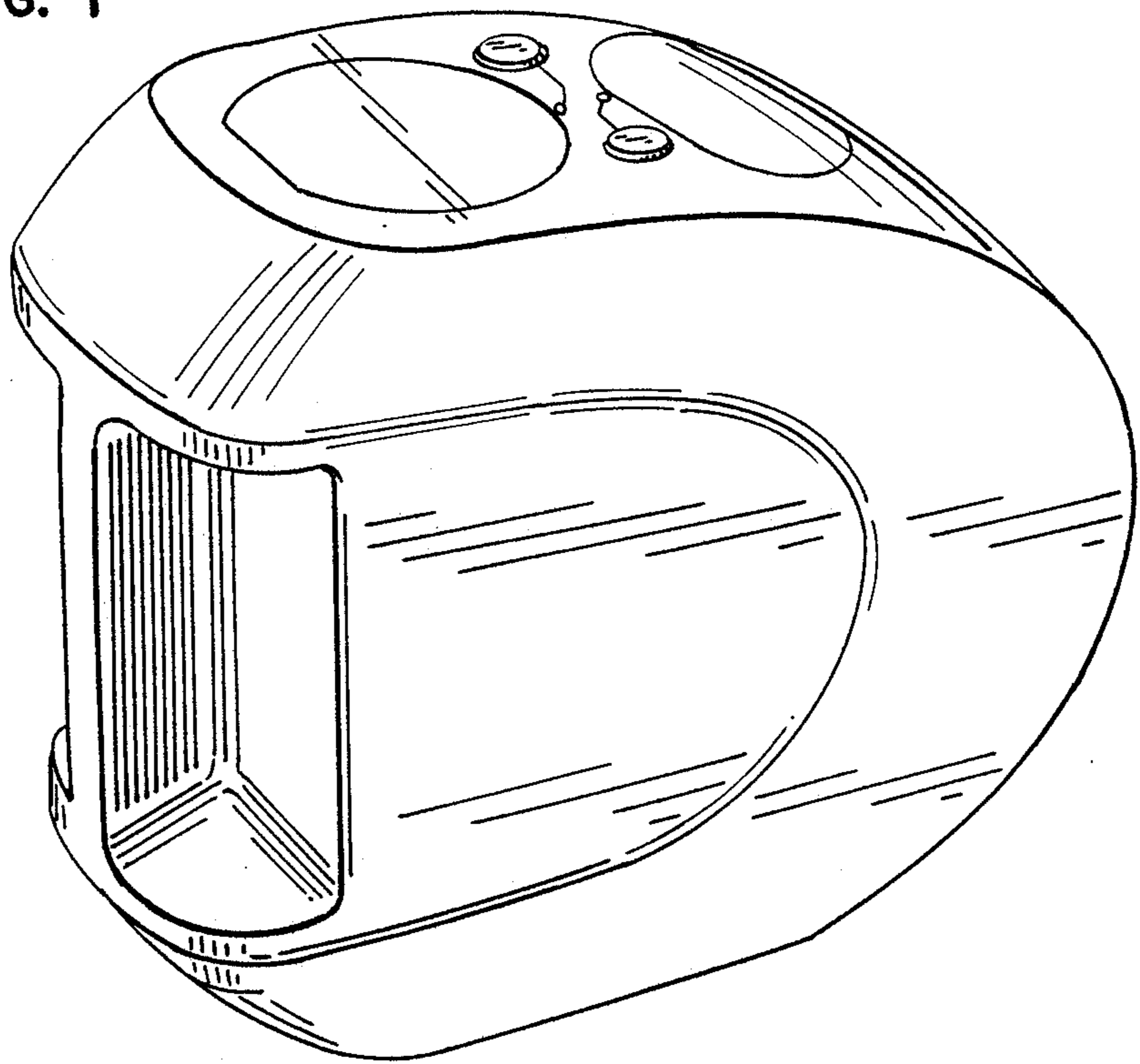


FIG. 2

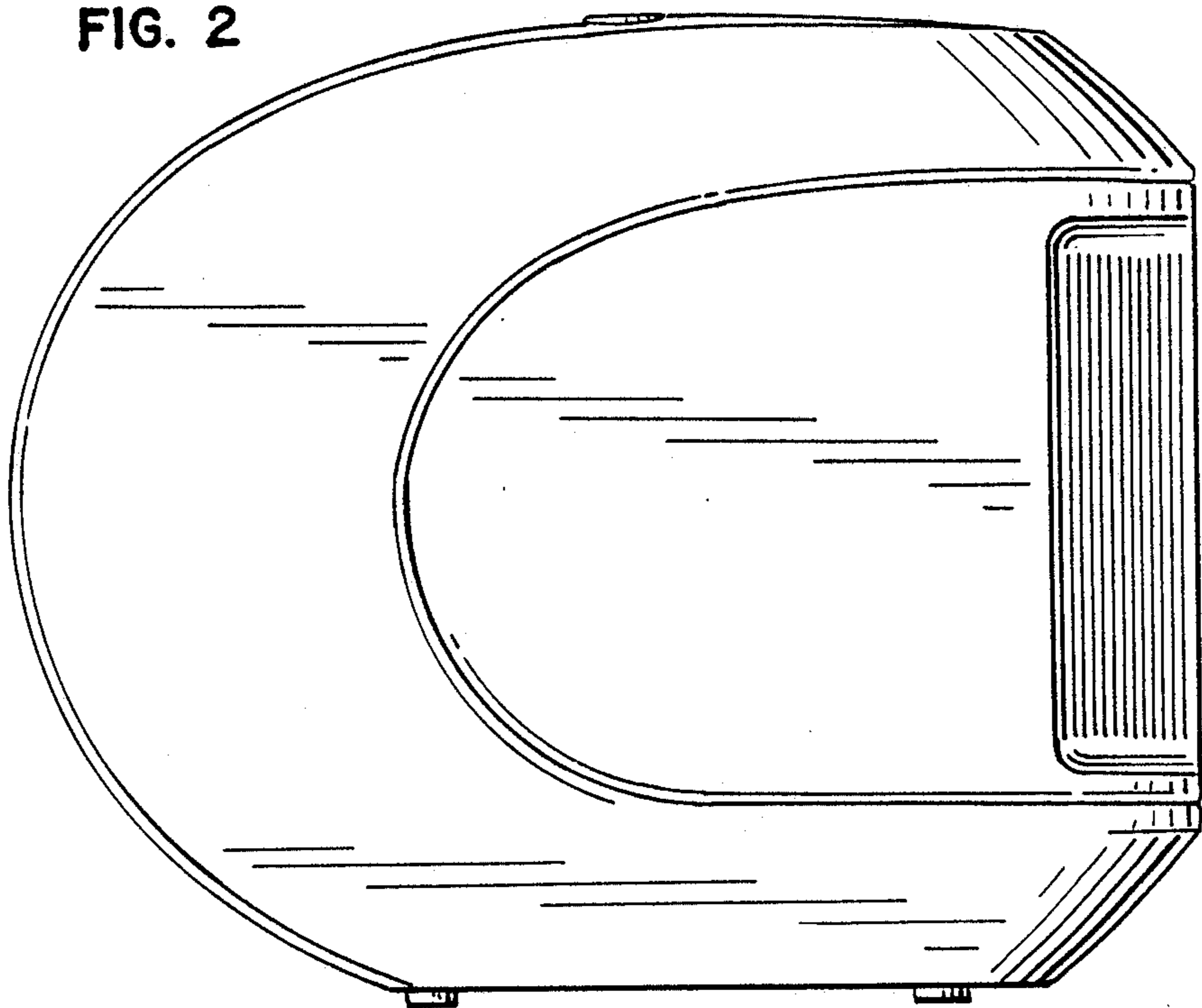


FIG. 3

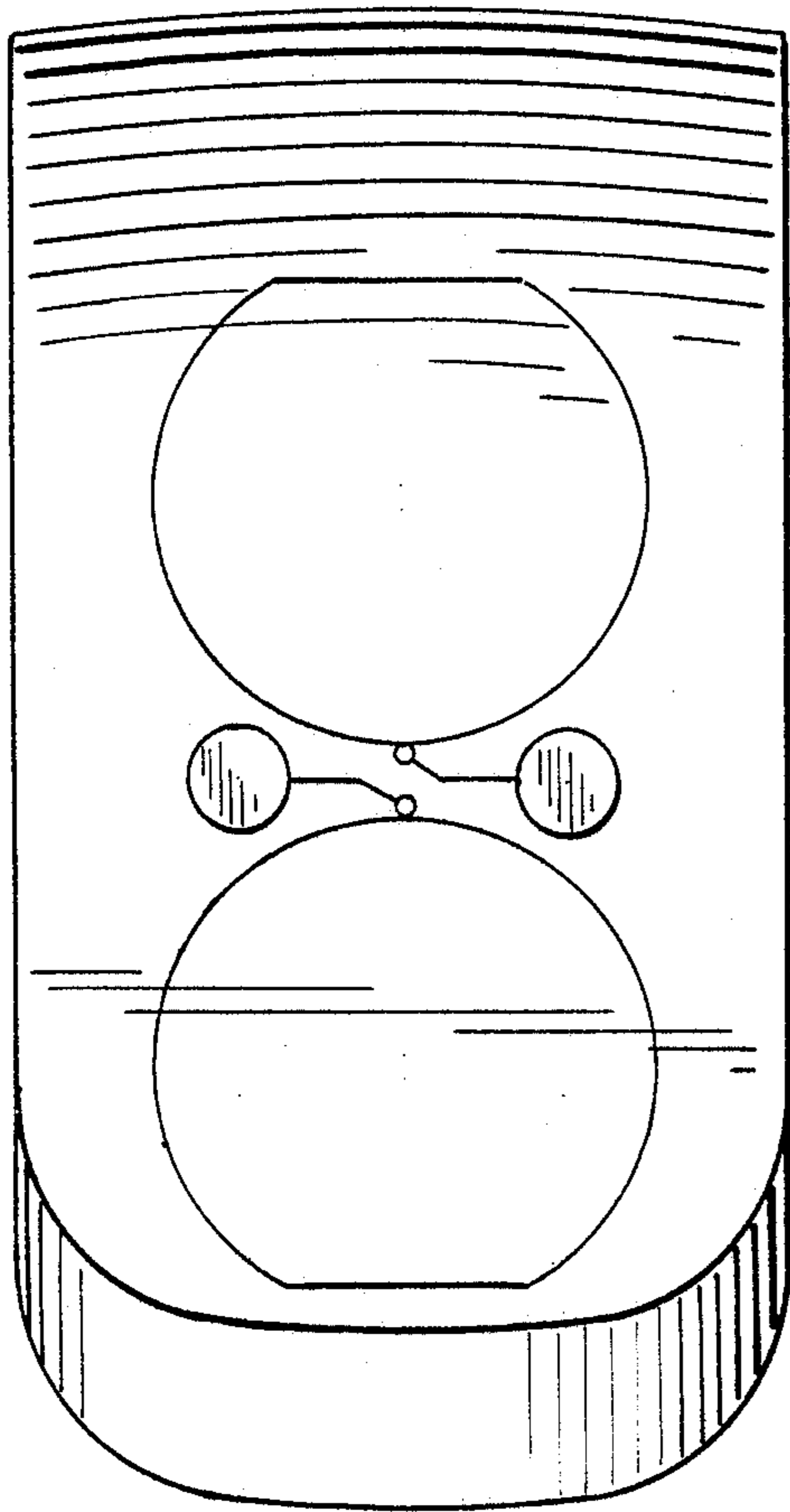


FIG. 5

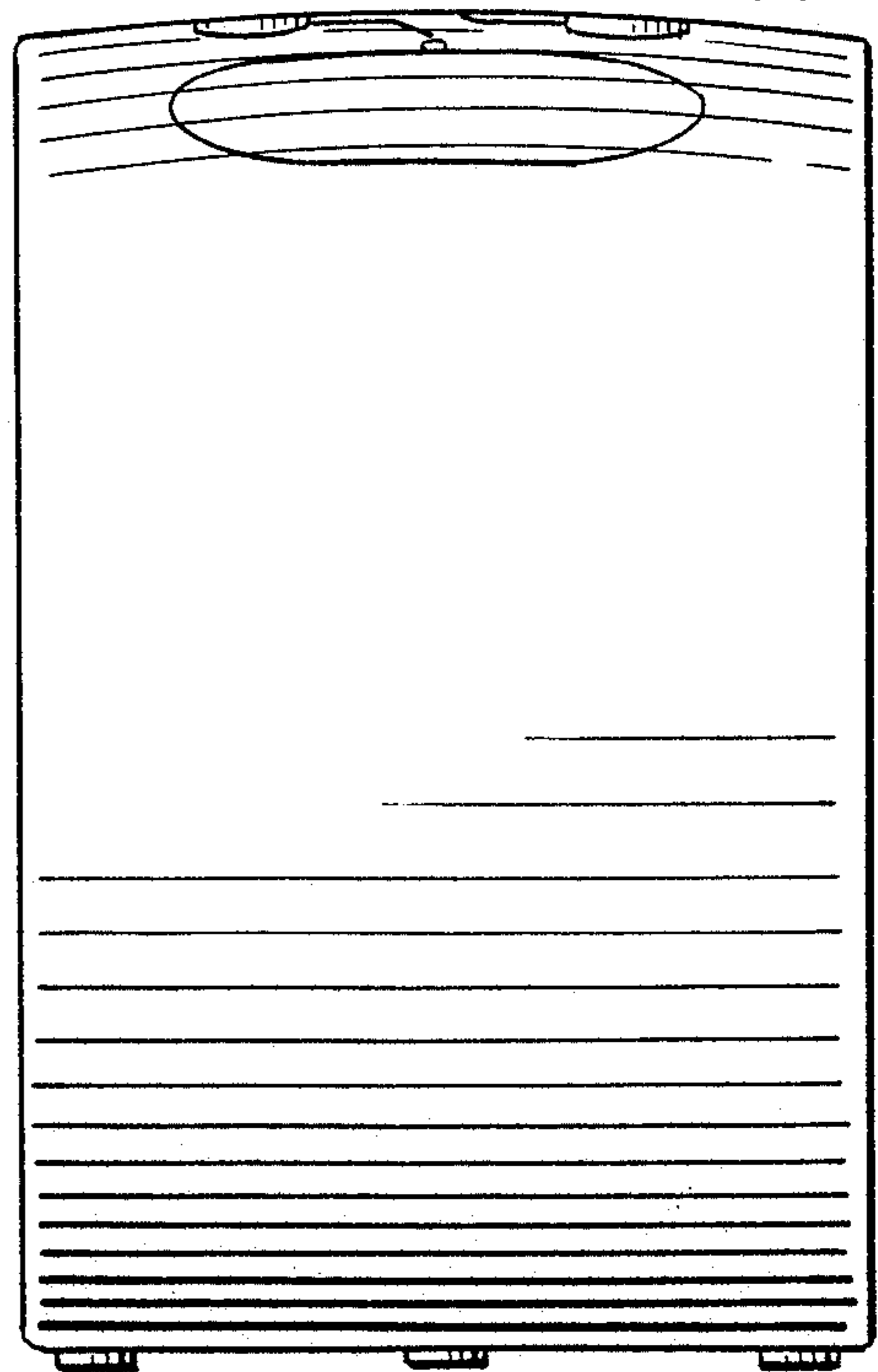


FIG. 4

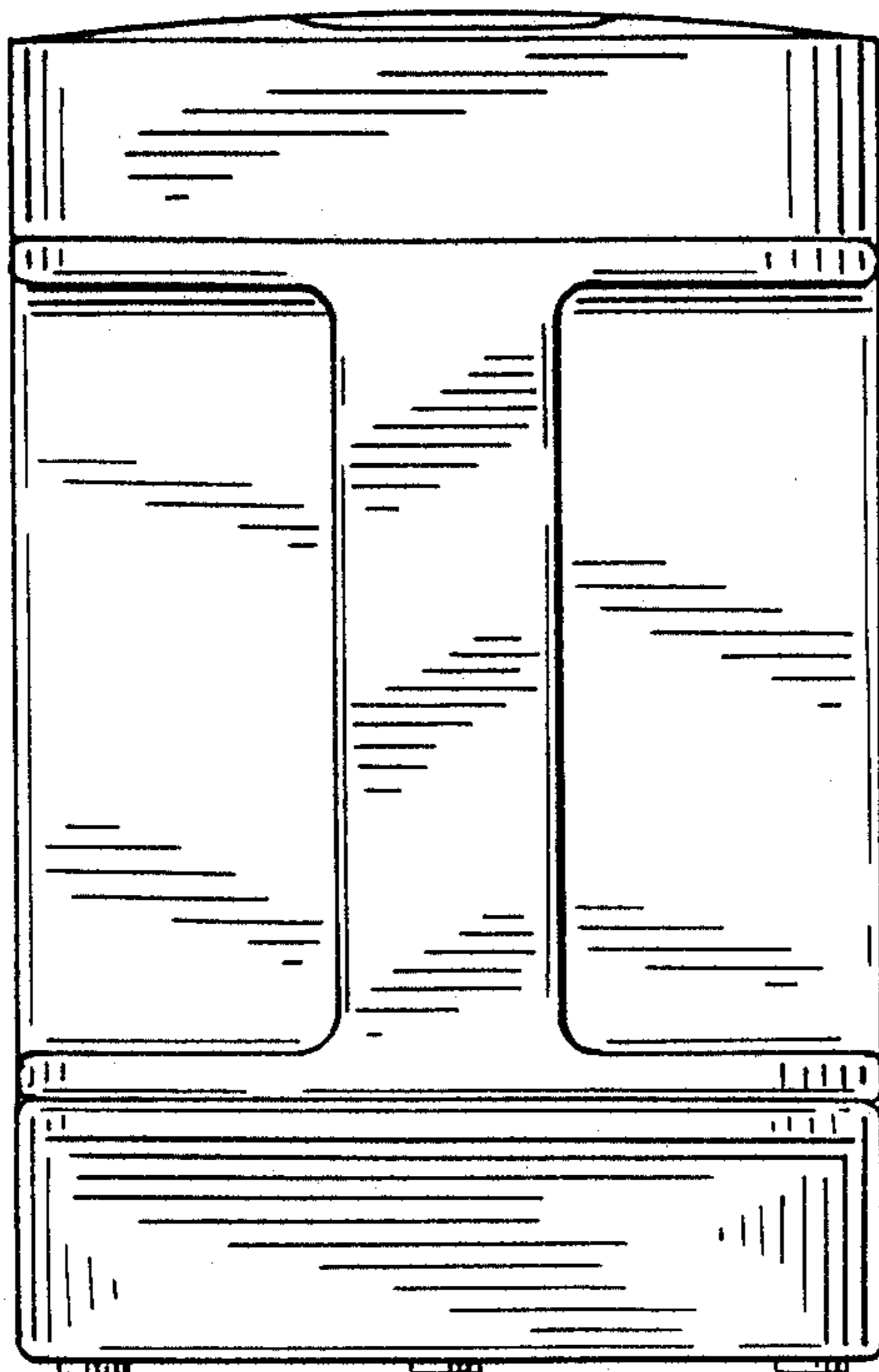


FIG. 6

