

[54] **PASTA CONTAINER**

[76] **Inventor: Andre Morin, 59 Mansfield St.,  
Dollard-des-Ormeaux, Quebec,  
Canada**

[\*\*] **Term: 14 Years**

[21] **Appl. No.: 850,925**

[22] **Filed: Apr. 9, 1986**

[30] **Foreign Application Priority Data**

Jan. 31, 1986 [CA] Canada ..... 31-01-86-2  
[52] **U.S. Cl. .... D7/76; D7/50**  
[58] **Field of Search ..... D7/76, 50; D9/435, 371;  
73/426, 429**

[56] **References Cited**

**U.S. PATENT DOCUMENTS**

D. 276,783 12/1984 Hollenbeck ..... D9/425 X  
4,334,361 6/1982 Gorski et al. .... 73/426 X

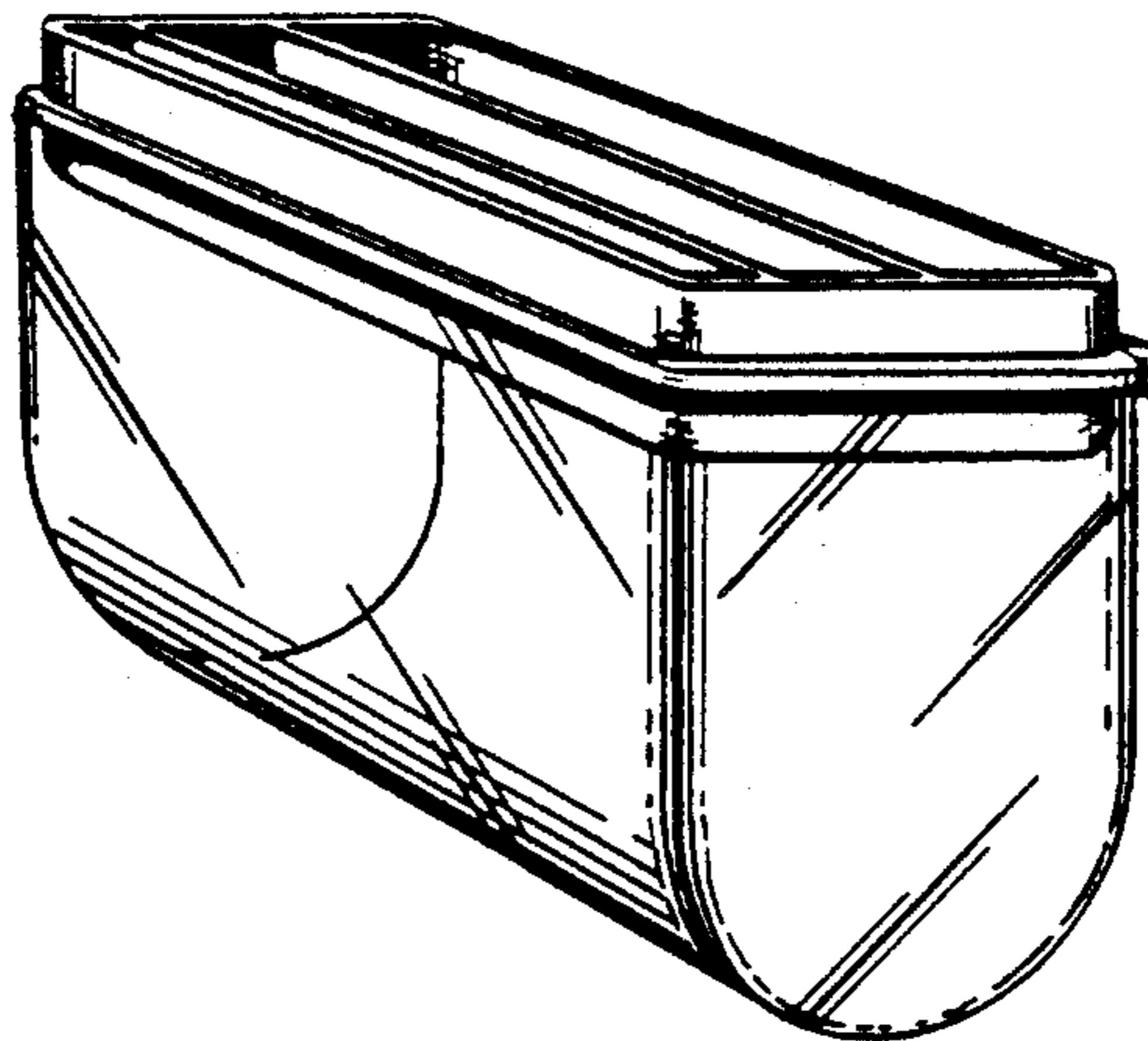
*Primary Examiner*—Bernard Ansher  
*Assistant Examiner*—Terry Pfeffer  
*Attorney, Agent, or Firm*—Jean H. Dubuc

[57] **CLAIM**

The ornamental design for a pasta container, as shown and described.

**DESCRIPTION**

FIG. 1 is a perspective view of a pasta container showing my new design;  
FIG. 2 is a top plan view thereof;  
FIG. 3 is a front elevational view thereof;  
FIG. 4 is a right side elevational view thereof; and  
FIG. 5 is a cross-sectional view taken along line 5—5 of FIG. 2.



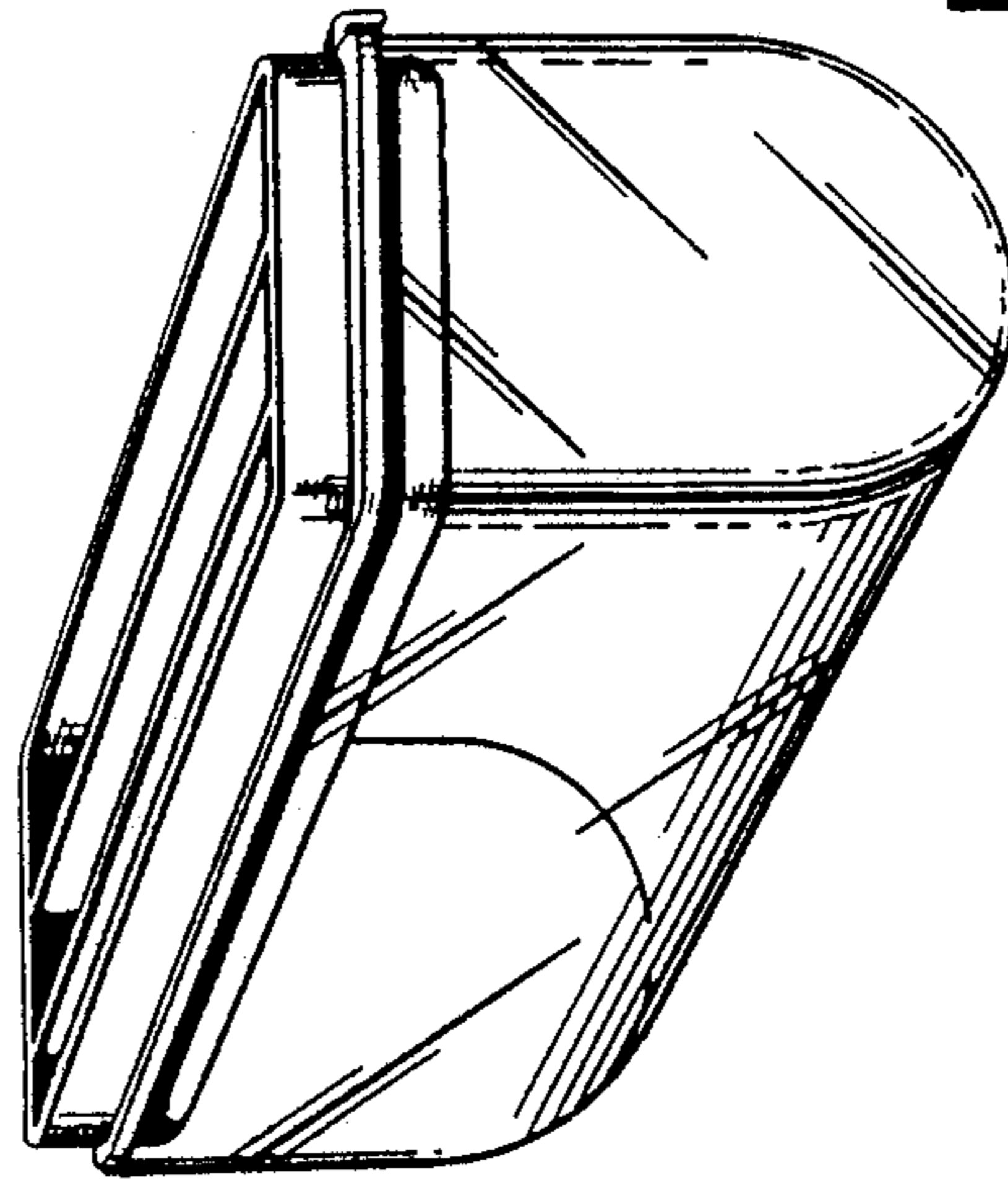


Fig. 1

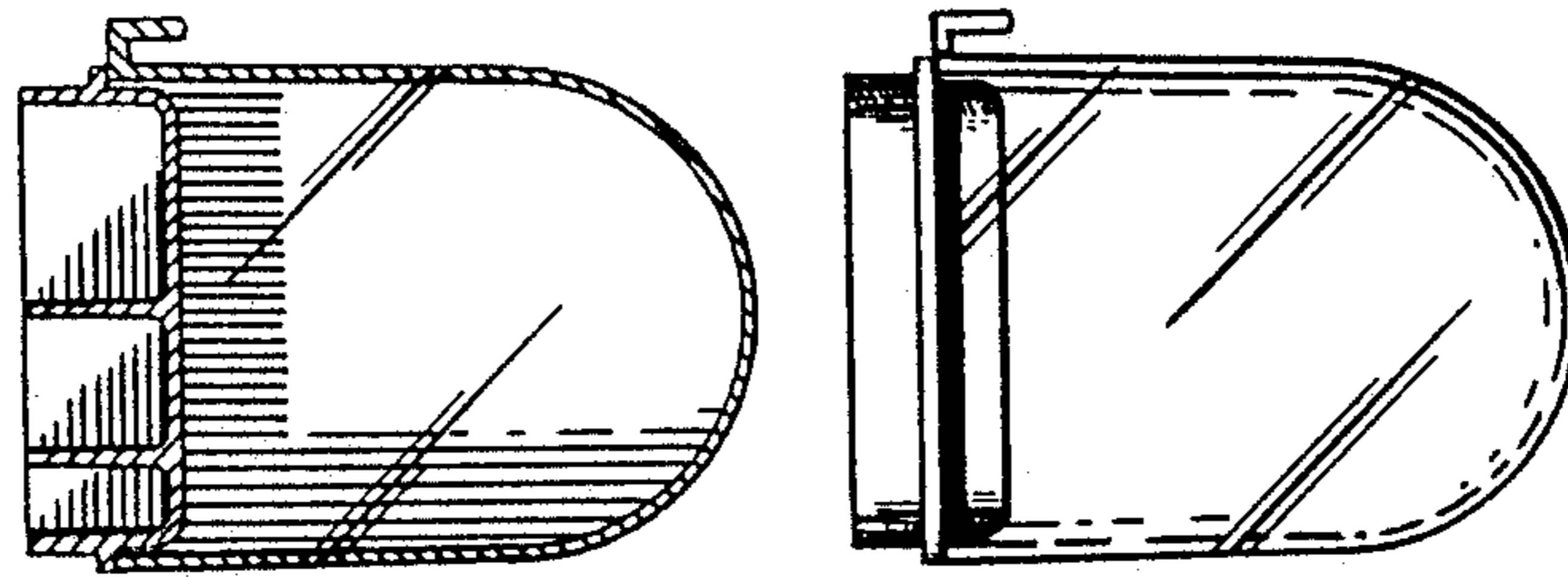


Fig. 4

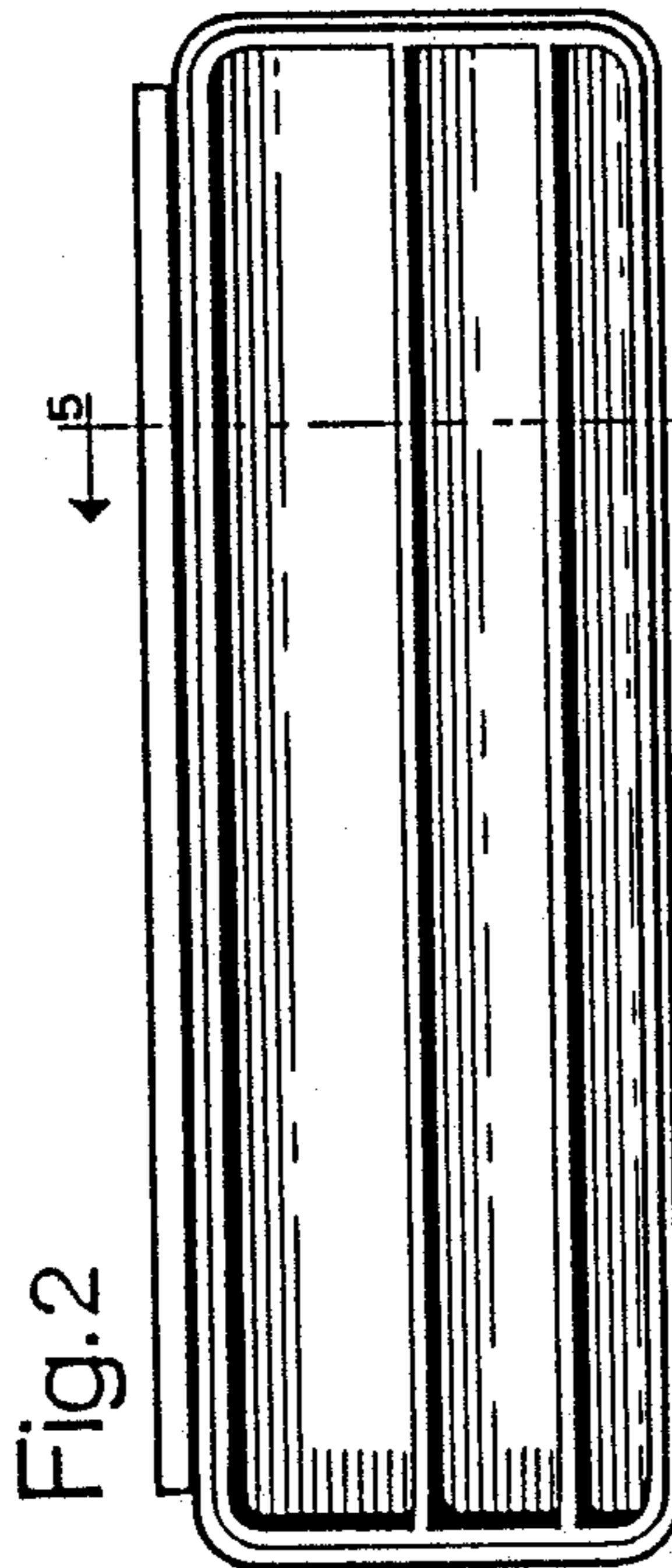


Fig. 2

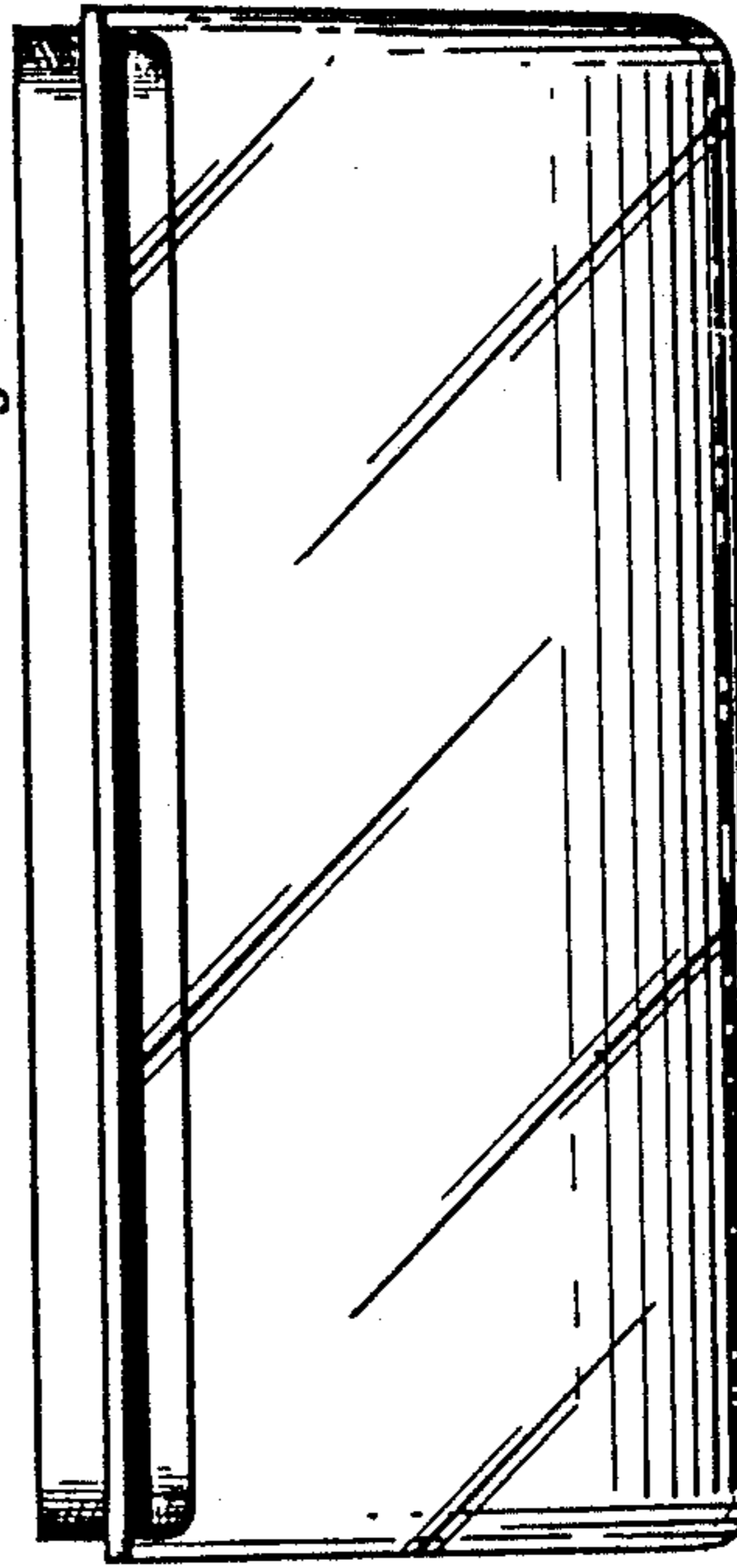


Fig. 3

Fig. 5

