

[54] **COVERED SERVING TRAY FOR FOOD CONTAINERS OR THE LIKE**

D. 278,412 4/1985 Yeung ..... D9/420  
D. 284,341 6/1986 Zajac et al. .... D7/38  
4,217,476 8/1980 Bellavoine ..... D7/38 X

[76] **Inventor: Joost R. Ritman, Bloemgracht 15-19, 1016 KB Amsterdam, Netherlands**

*Primary Examiner*—Winifred E. Herrmann  
*Attorney, Agent, or Firm*—Allegretti & Witcoff, Ltd.

[\*\*] **Term: 14 Years**

[57] **CLAIM**

[21] **Appl. No.: 766,880**

The ornamental design for a covered serving tray for food containers or the like, as shown and described.

[22] **Filed: Aug. 16, 1985**

**Related U.S. Application Data**

[63] Continuation-in-part of Ser. No. 734,849, May 16, 1985, Pat. No. 4,648,511.

[30] **Foreign Application Priority Data**

Feb. 26, 1985 [DE] Fed. Rep. of Germany ..... 3506645  
Mar. 1, 1985 [WO] World Int. Prop. O. .... DM/004877

[52] **U.S. Cl. .... D7/16; D7/38; D9/347; D9/423**

[58] **Field of Search .... D9/347, 420, 423; D7/16, 38, 37**

[56] **References Cited**

**U.S. PATENT DOCUMENTS**

D. 216,348 12/1969 Huck ..... D9/347 X  
D. 240,353 6/1976 Edwards ..... D9/347  
D. 241,820 10/1976 Jewell ..... D9/423  
D. 241,822 10/1976 Jewell ..... D9/423  
D. 247,025 1/1978 Cherry ..... D7/37 X

**DESCRIPTION**

FIG. 1 is a top perspective view of a covered serving tray for food containers or the like showing my new design, the hinged lid being in a partially open position; FIG. 2 is a top plan view thereof, the hinged lid being in a fully opened position; FIG. 3 is a front elevational view thereof, the hinged lid being in a closed position; FIG. 4 is a top plan view thereof, the hinged lid being in a closed position; FIG. 5 is a bottom plan view thereof, the hinged lid being in a closed position; FIG. 6 is a top perspective view similar to FIG. 1 with food containers being shown in broken lines for illustrative purposes only and forming no part of the claimed design; FIG. 7 is a rear elevational view thereof, the hinged lid being in a closed position; and FIG. 8 is a side elevational view thereof, the hinged lid being in a closed position.

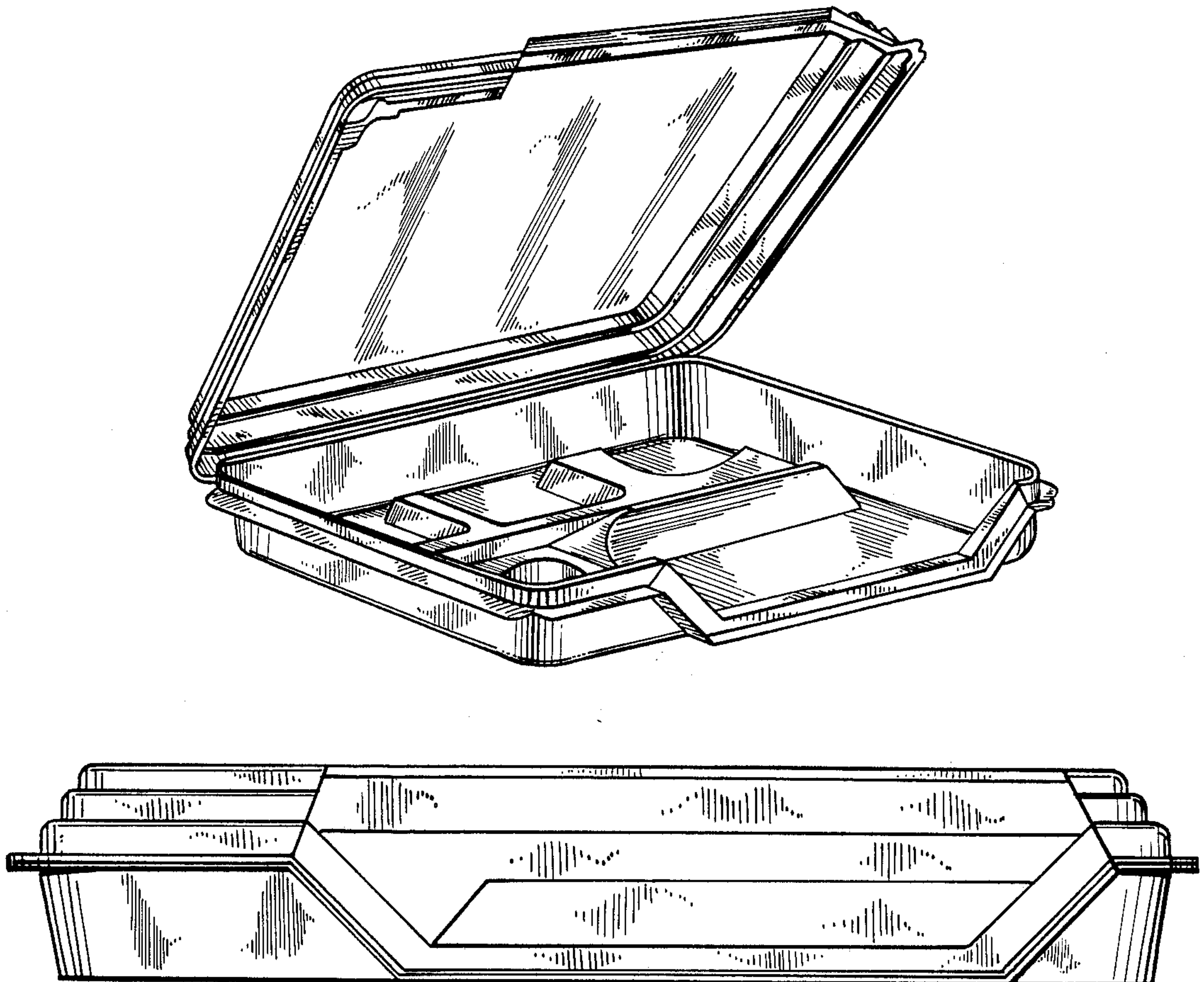




FIG. 1

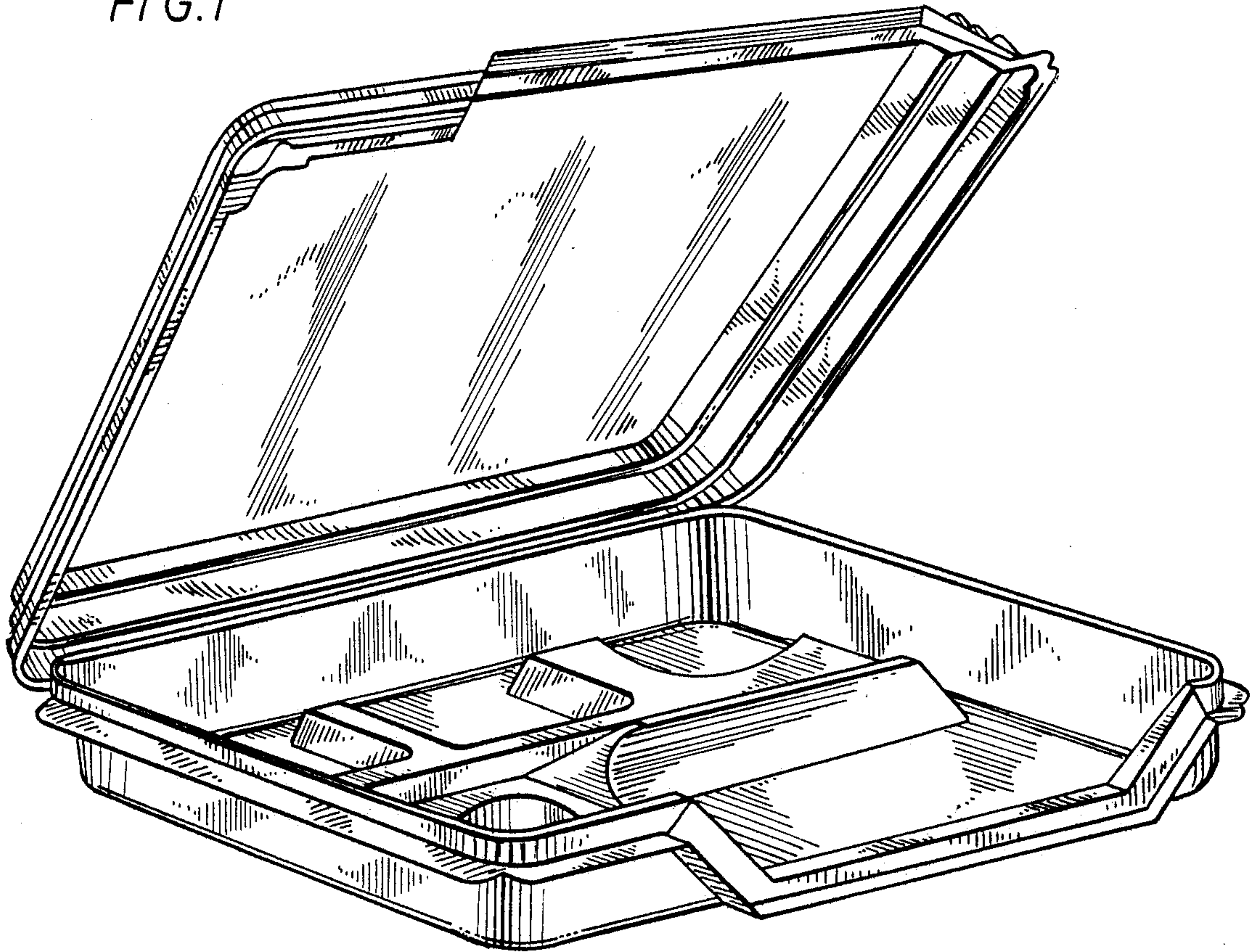
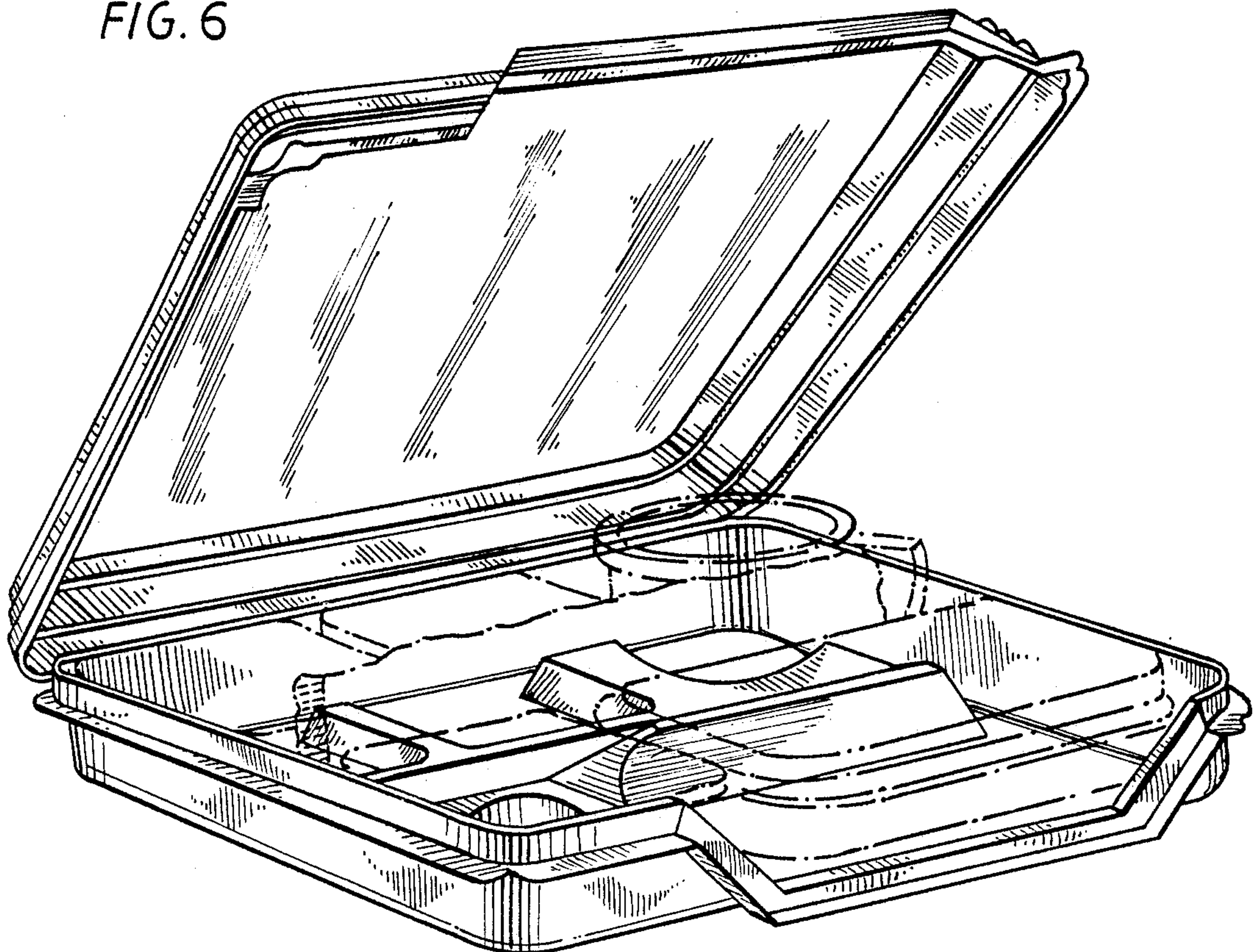


FIG. 6



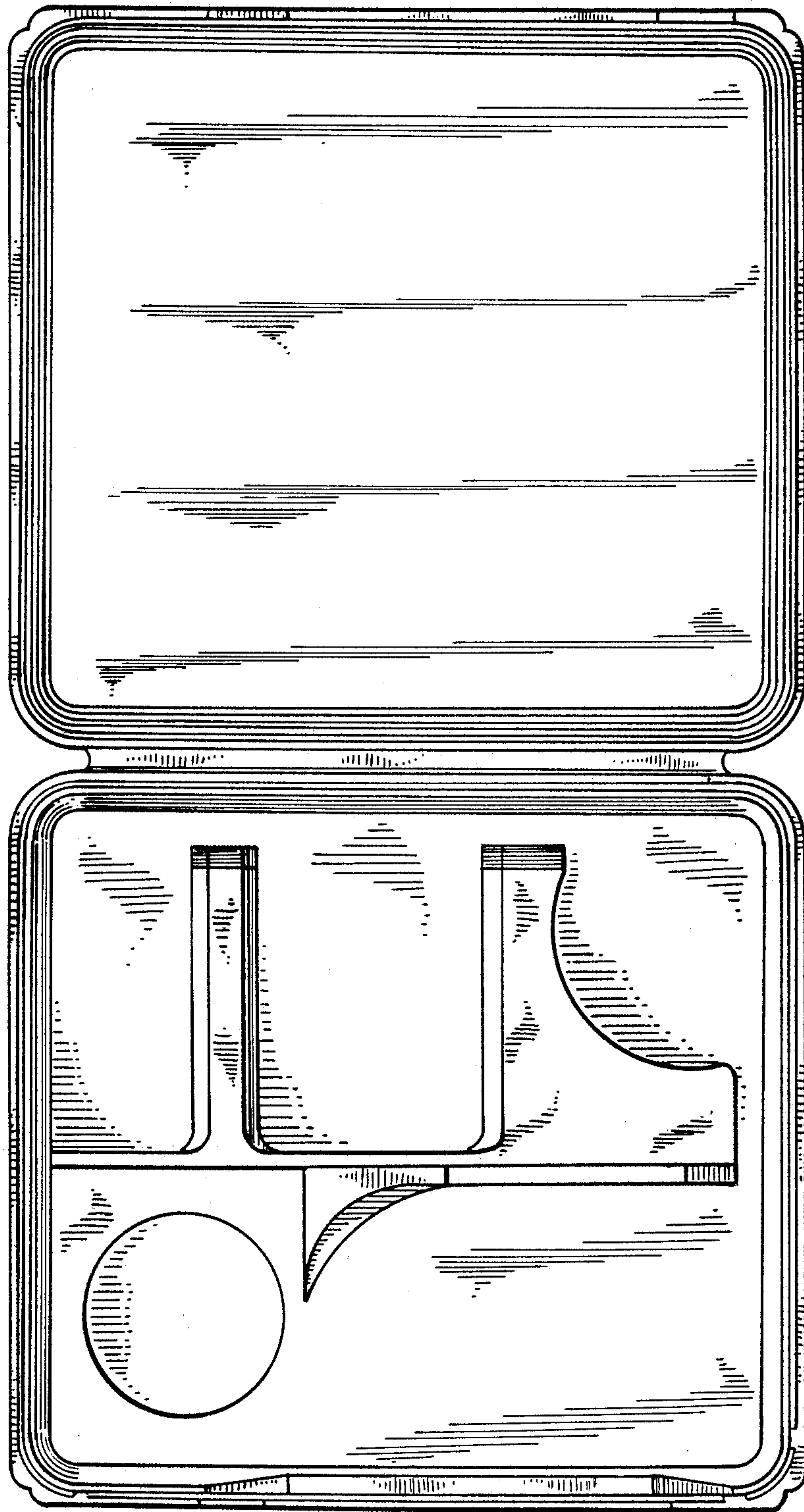


FIG. 2



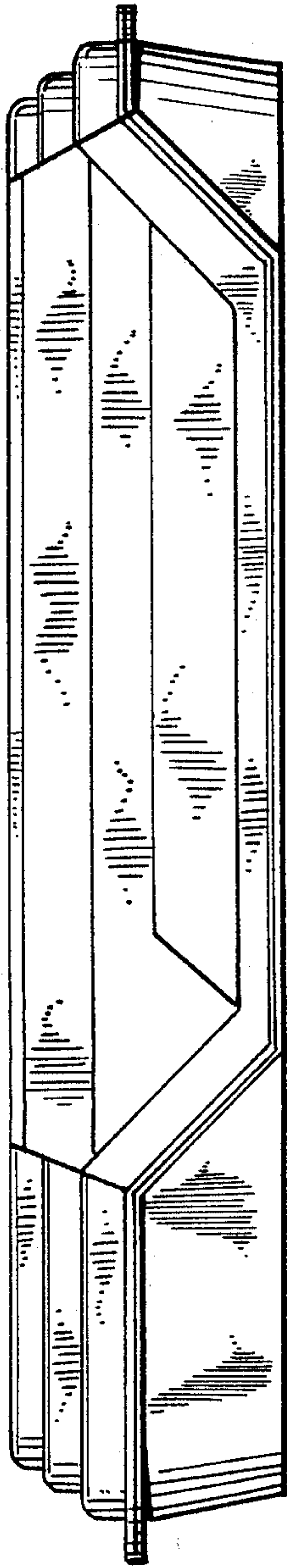


FIG. 3

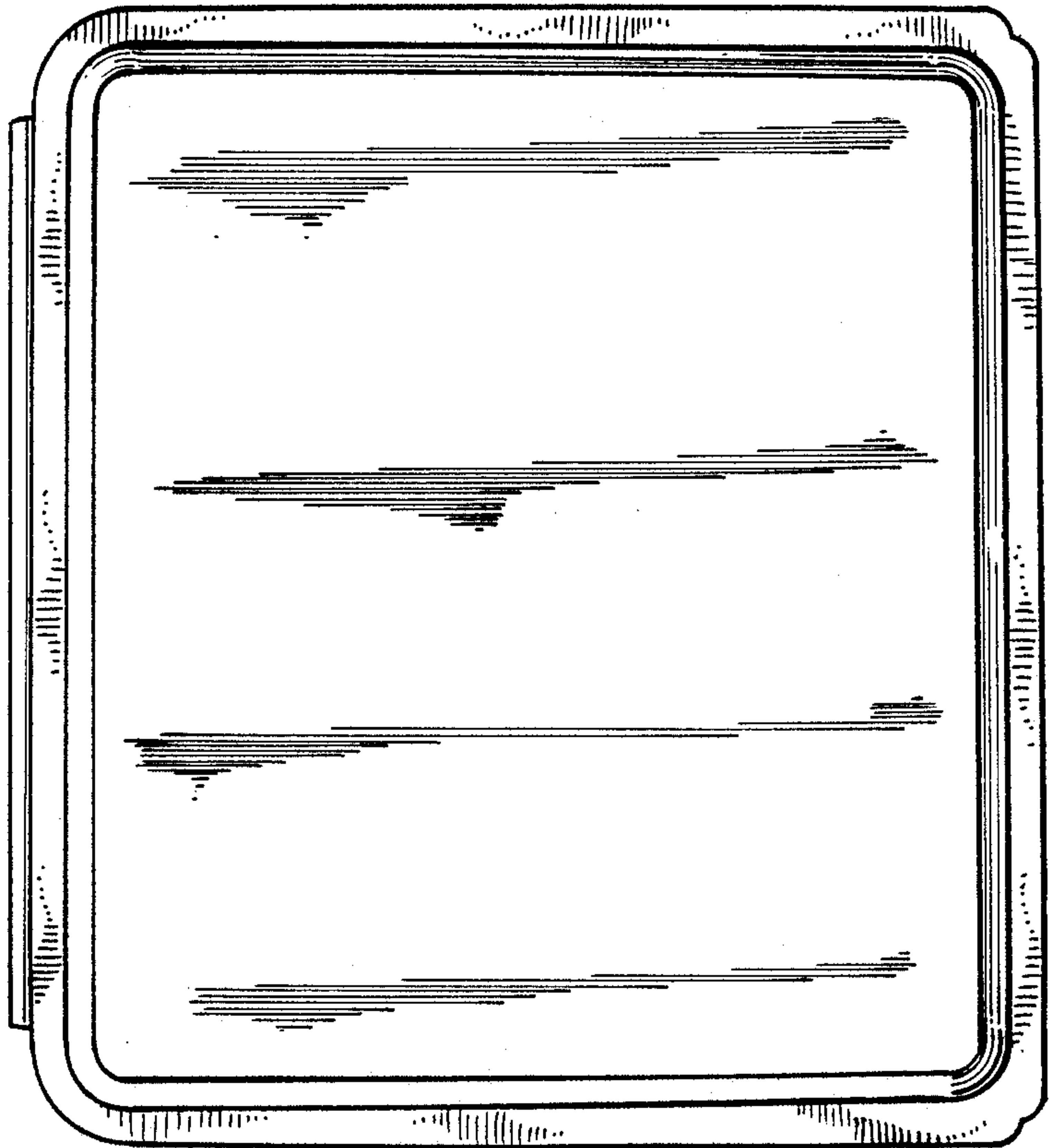


FIG. 5

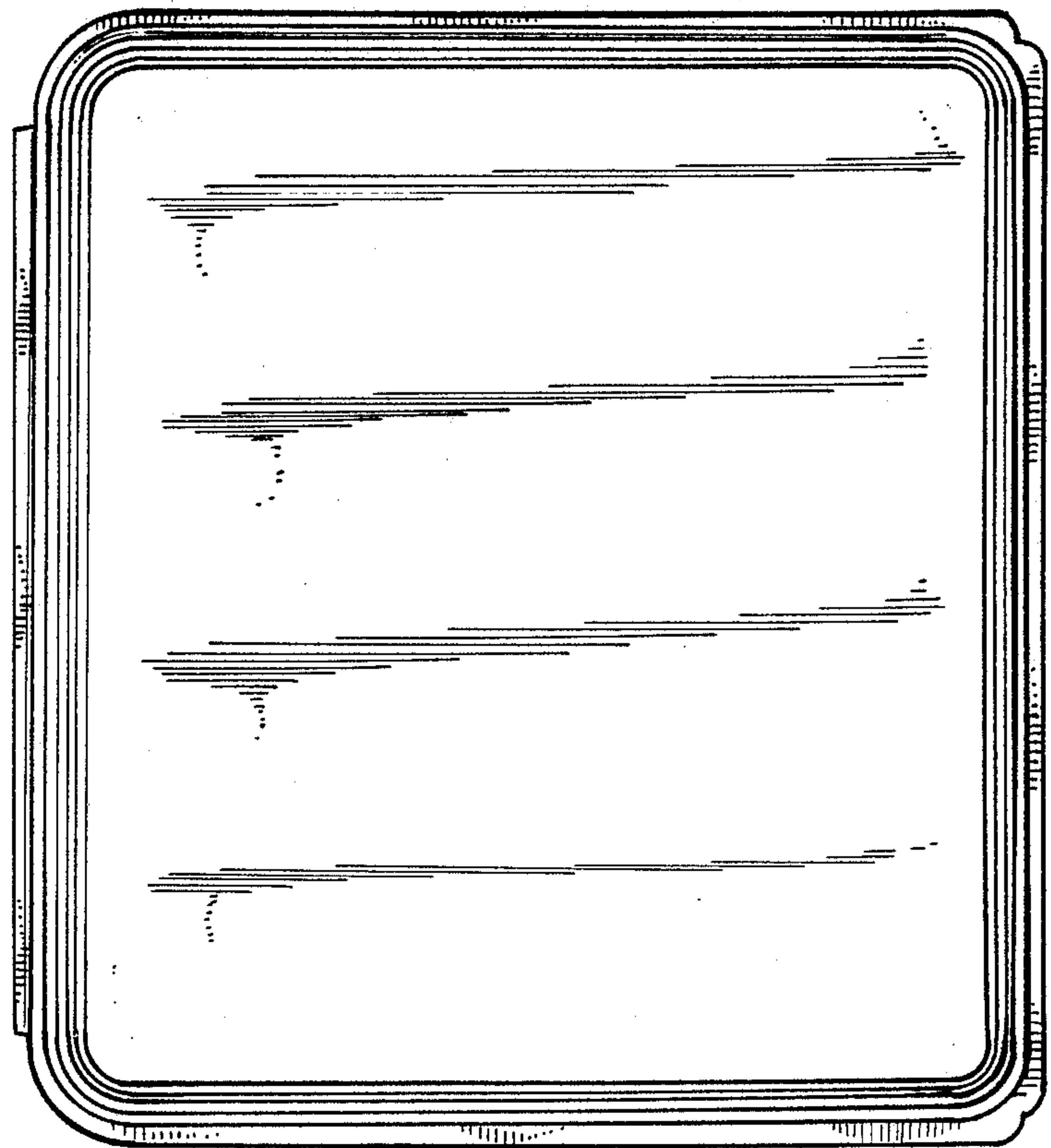


FIG. 4

FIG. 7

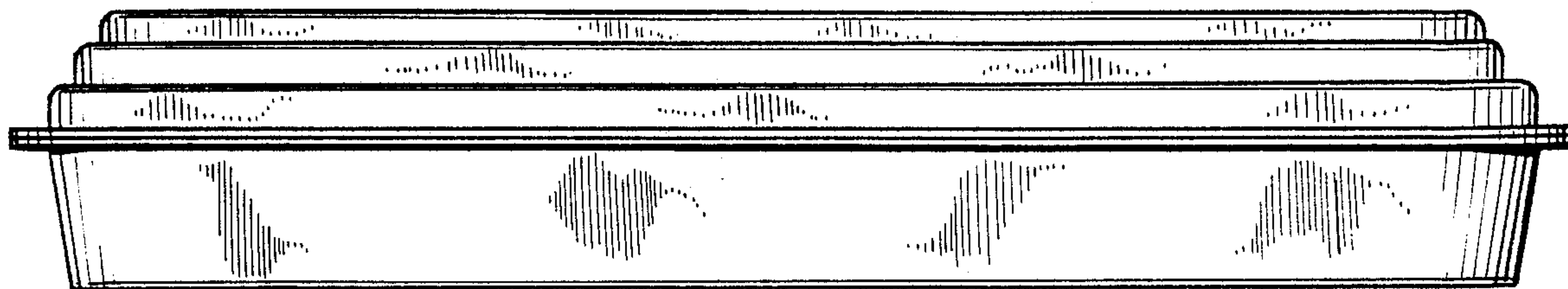


FIG. 8

