

[54] **CARD HOLDER**

[75] **Inventor: Kirk A. Robinson, Loveland, Colo.**

[73] **Assignee: Lary P. Gaddis, Denver, Colo.**

[**] **Term: 14 Years**

[21] **Appl. No.: 919,482**

[22] **Filed: Oct. 15, 1986**

[52] **U.S. Cl. D6/467**

[58] **Field of Search D6/467, 468, 449;
D19/86, 90, 91; D21/54, 55; 211/13, 40, 41, 42**

[56] **References Cited**

U.S. PATENT DOCUMENTS

- D. 154,334 6/1949 Seager D6/467
- D. 161,138 12/1950 Shapiro D6/467
- D. 161,139 12/1950 Shapiro D6/467
- D. 161,899 2/1951 Brooks D6/467
- D. 167,203 7/1952 Grode D6/469

- D. 215,897 11/1969 Aydelotte D19/90
- D. 236,059 7/1975 Gutierrez D6/467 X
- D. 284,627 7/1986 Burchill D6/467 X
- D. 288,039 2/1987 LeBlanc D6/468

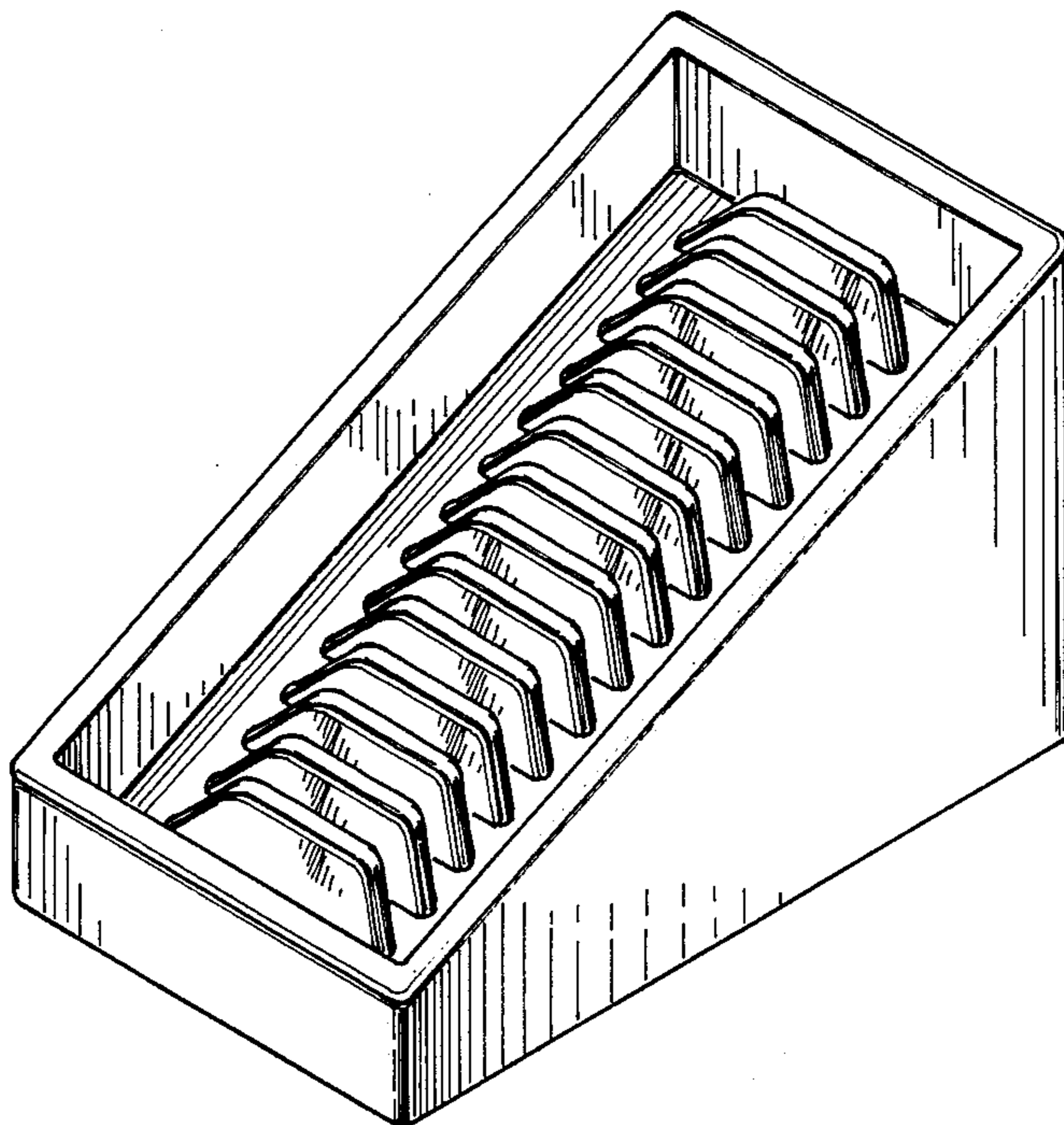
Primary Examiner—Carmen H. Vales
Attorney, Agent, or Firm—Sheridan, Ross & McIntosh

[57] **CLAIM**

The design for a card holder, as shown and described.

DESCRIPTION

FIG. 1 is a perspective view of a card holder showing my new design;
 FIG. 2 is a top plan view thereof;
 FIG. 3 is a front elevational view thereof;
 FIG. 4 is a right side elevational view thereof;
 FIG. 5 is a left side elevational view thereof;
 FIG. 6 is a bottom plan view thereof;
 FIG. 7 is a rear elevational view thereof; and
 FIG. 8 is a perspective view of a modified form of the card holder shown in FIG. 1.



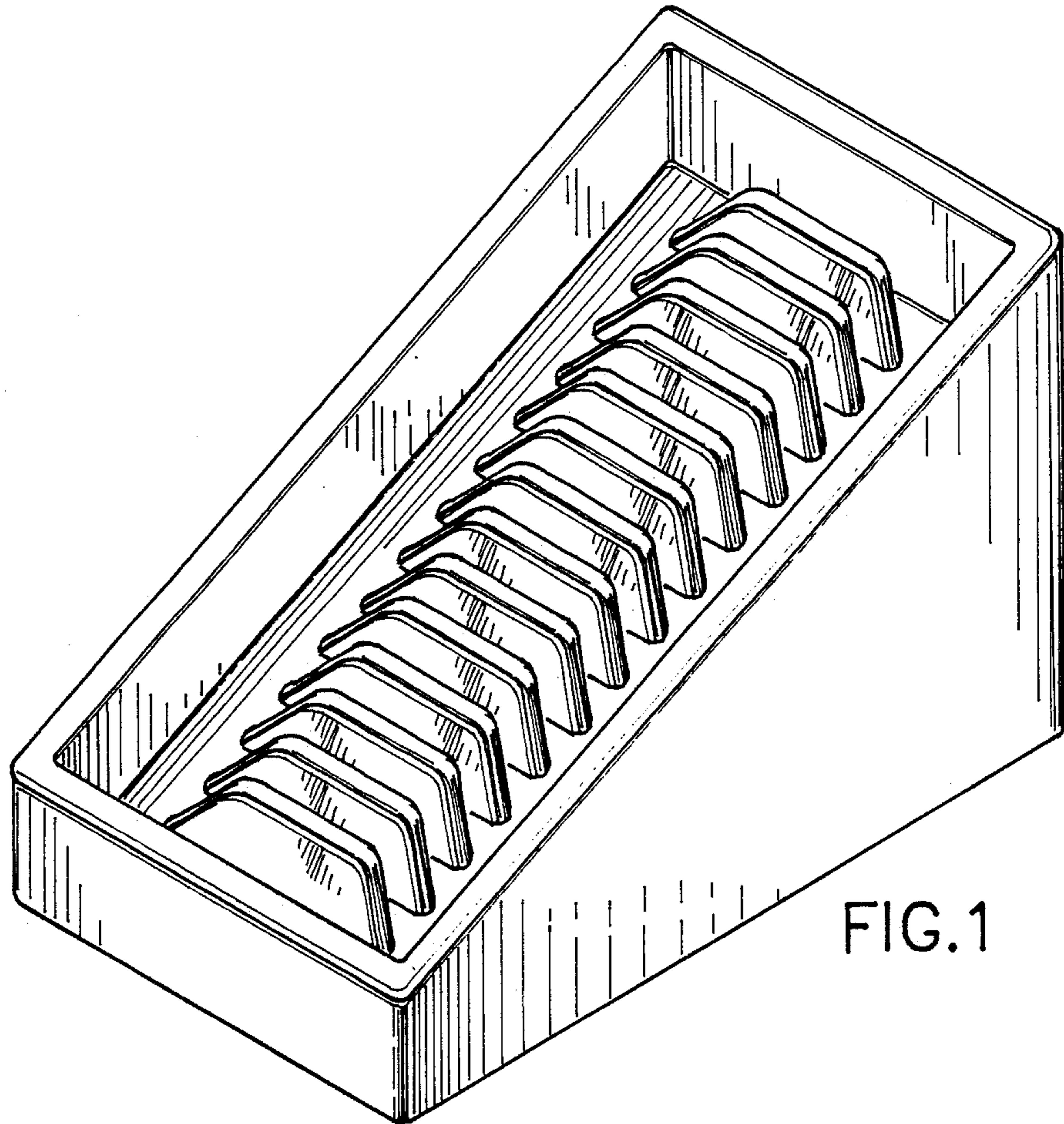


FIG. 1

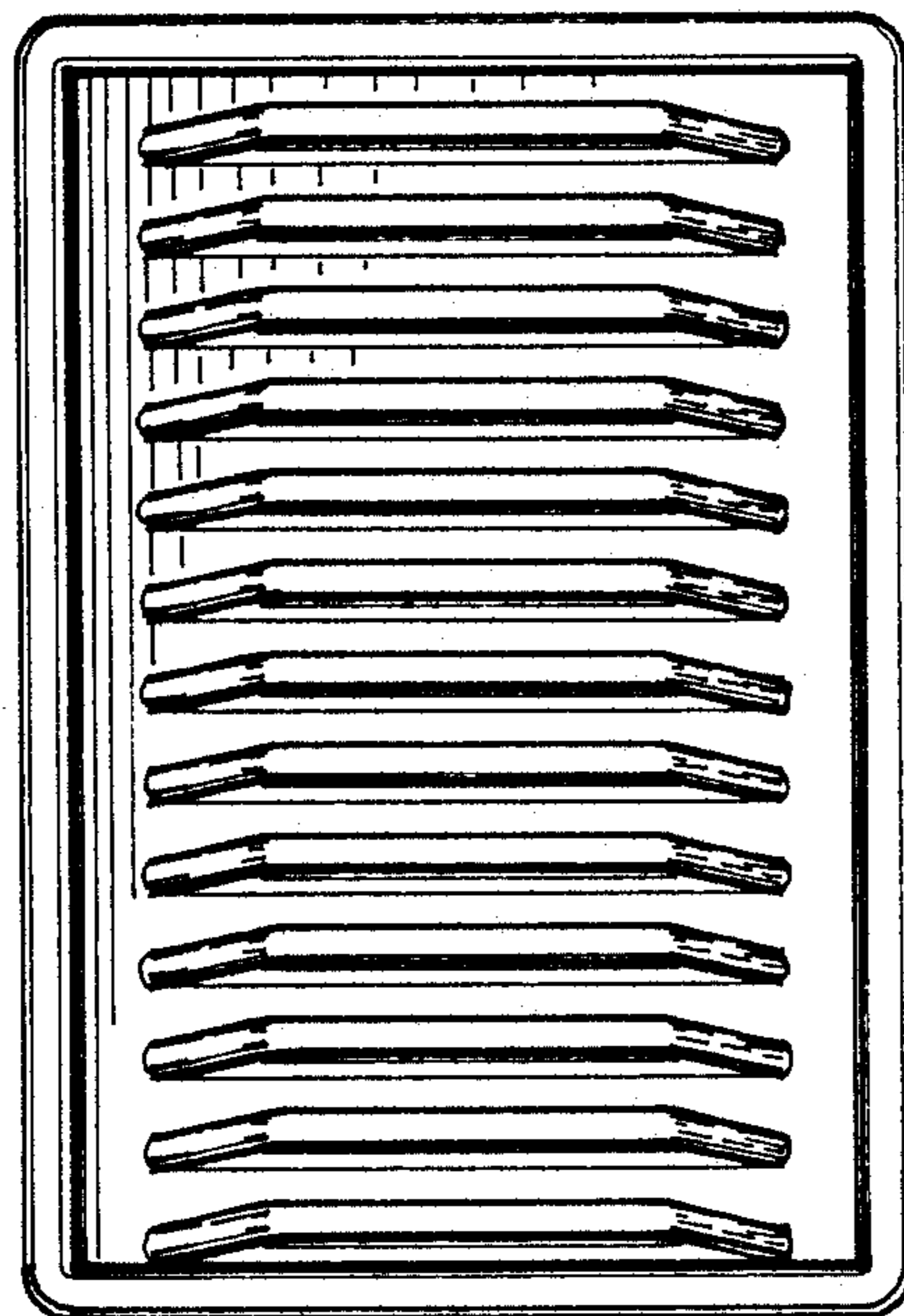


FIG. 2

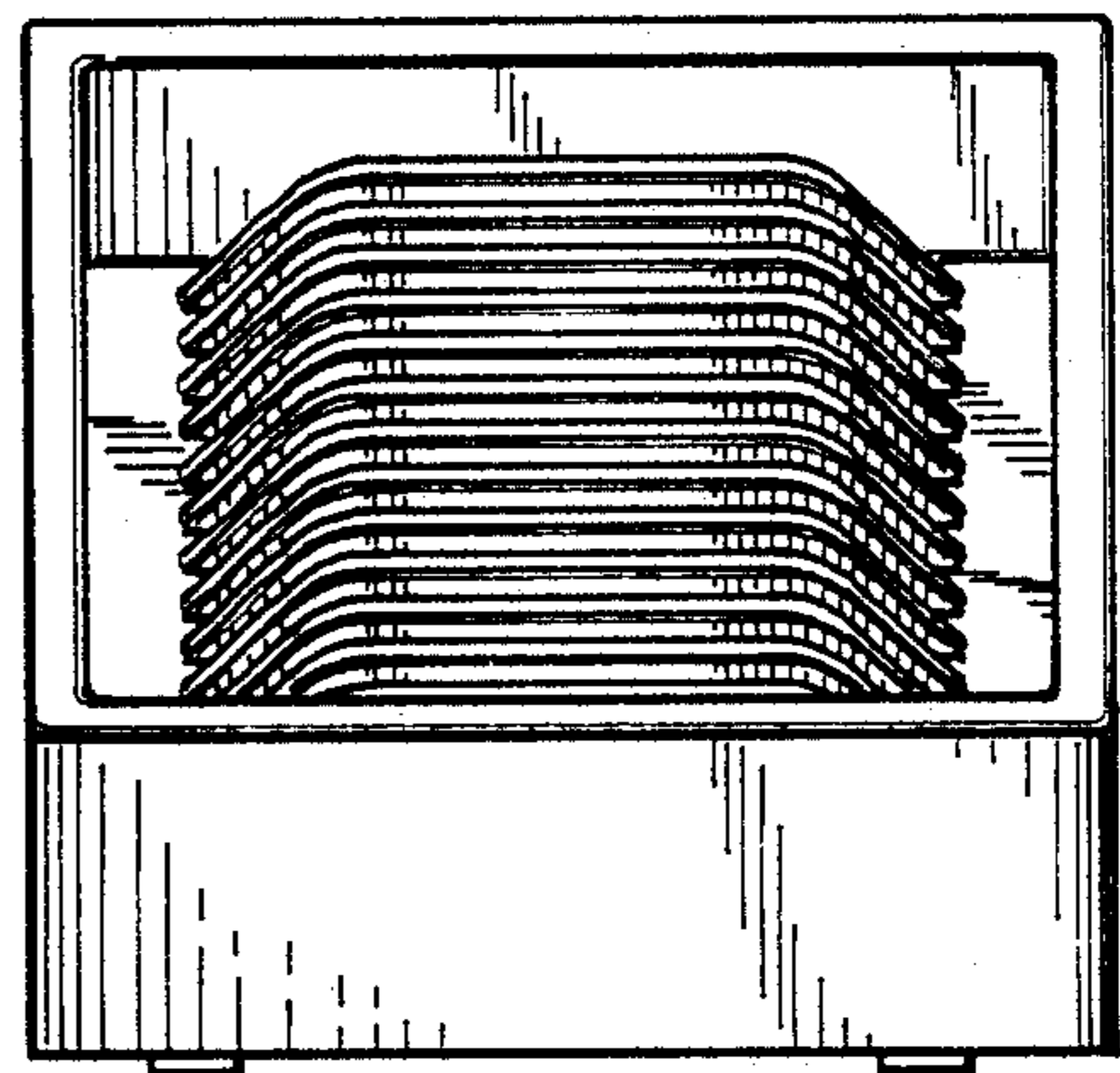


FIG. 3

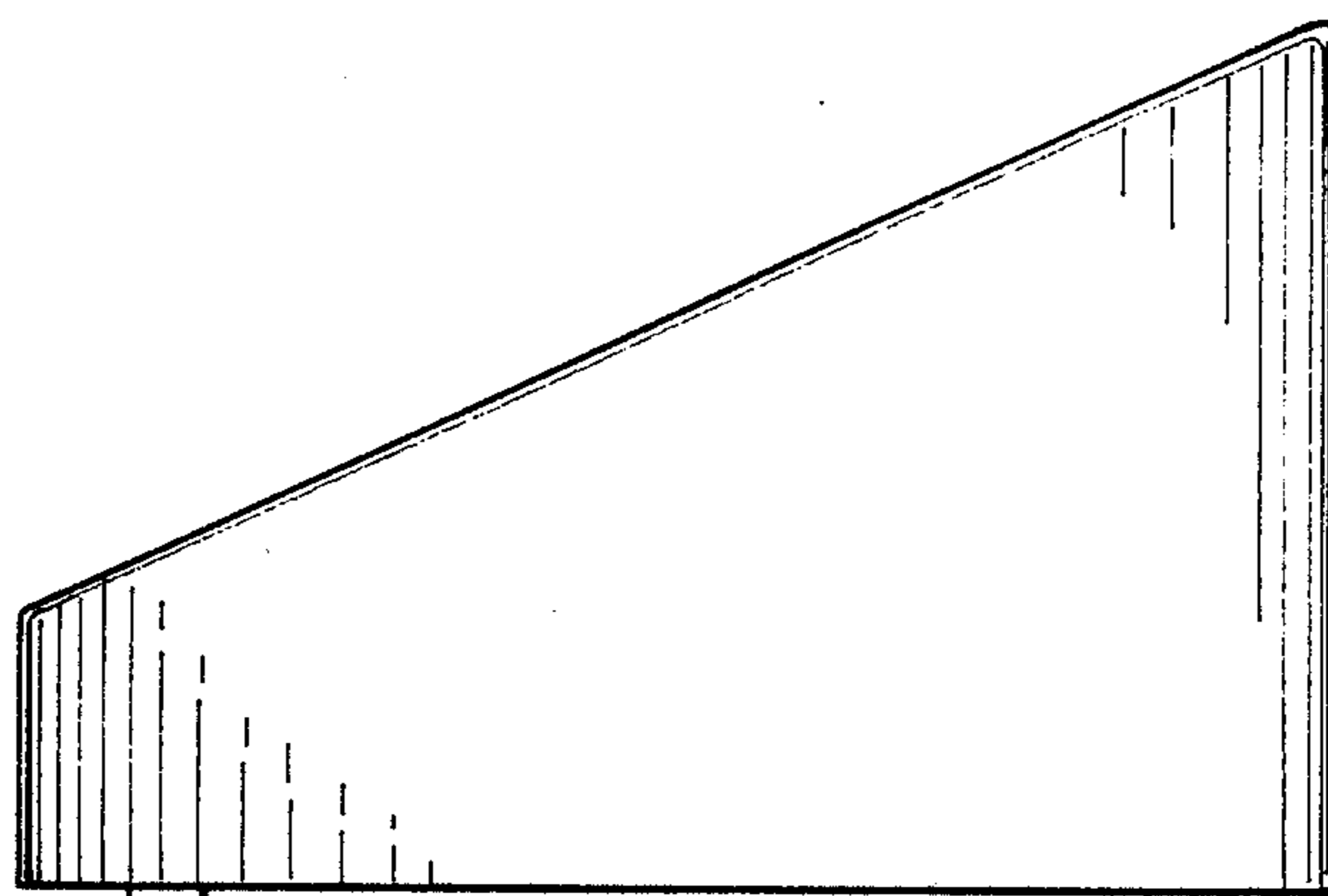


FIG. 4

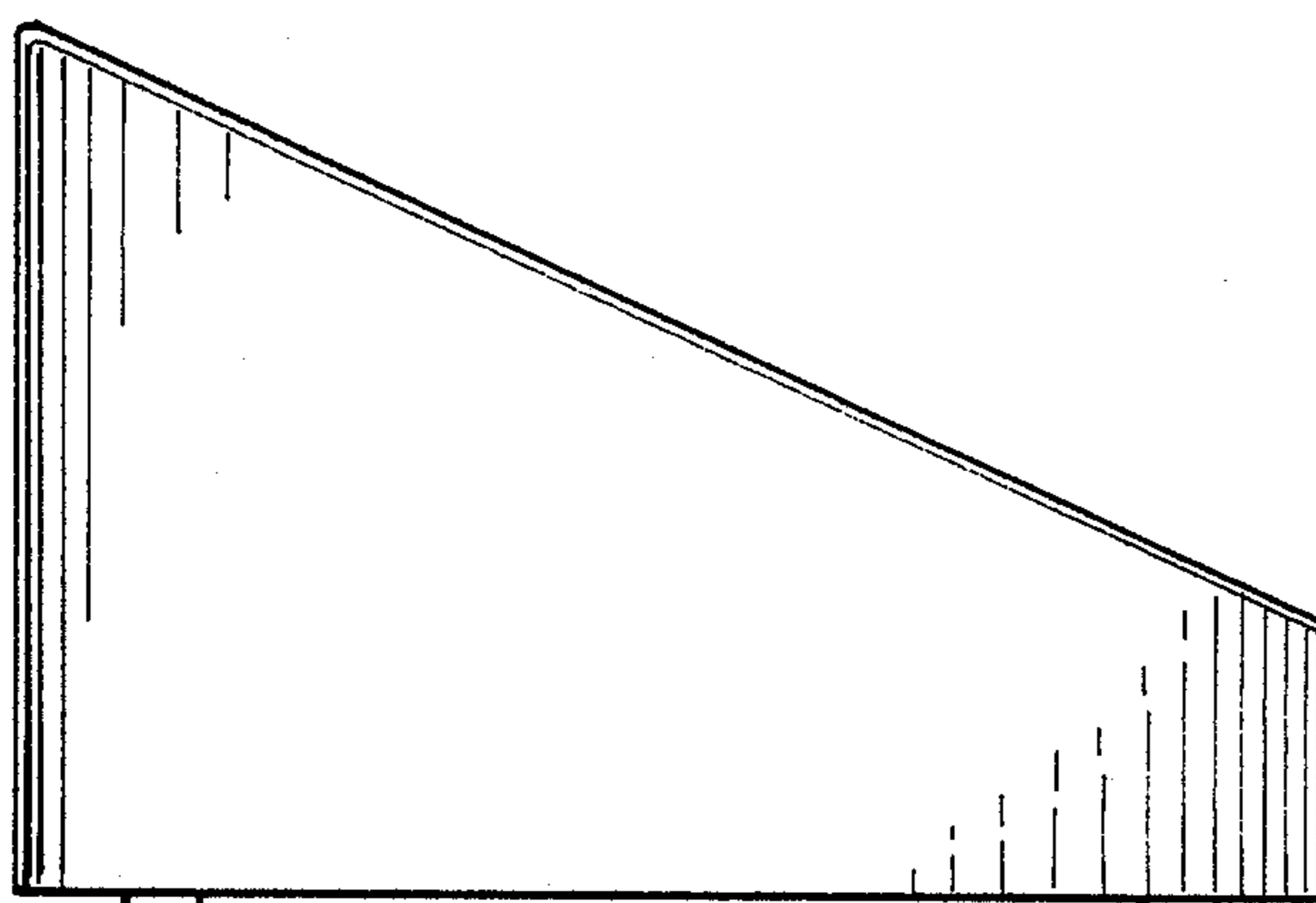


FIG. 5

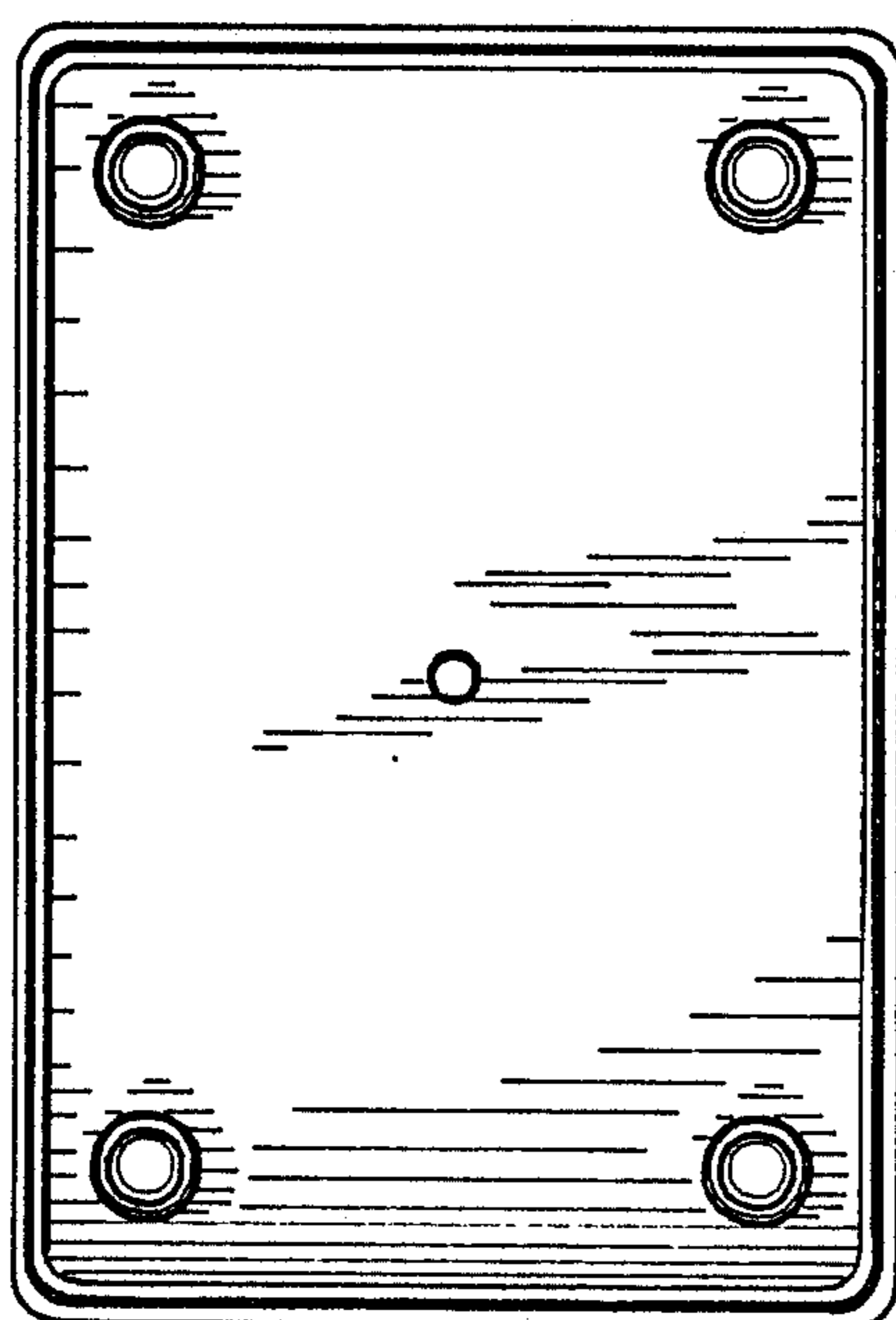


FIG. 6

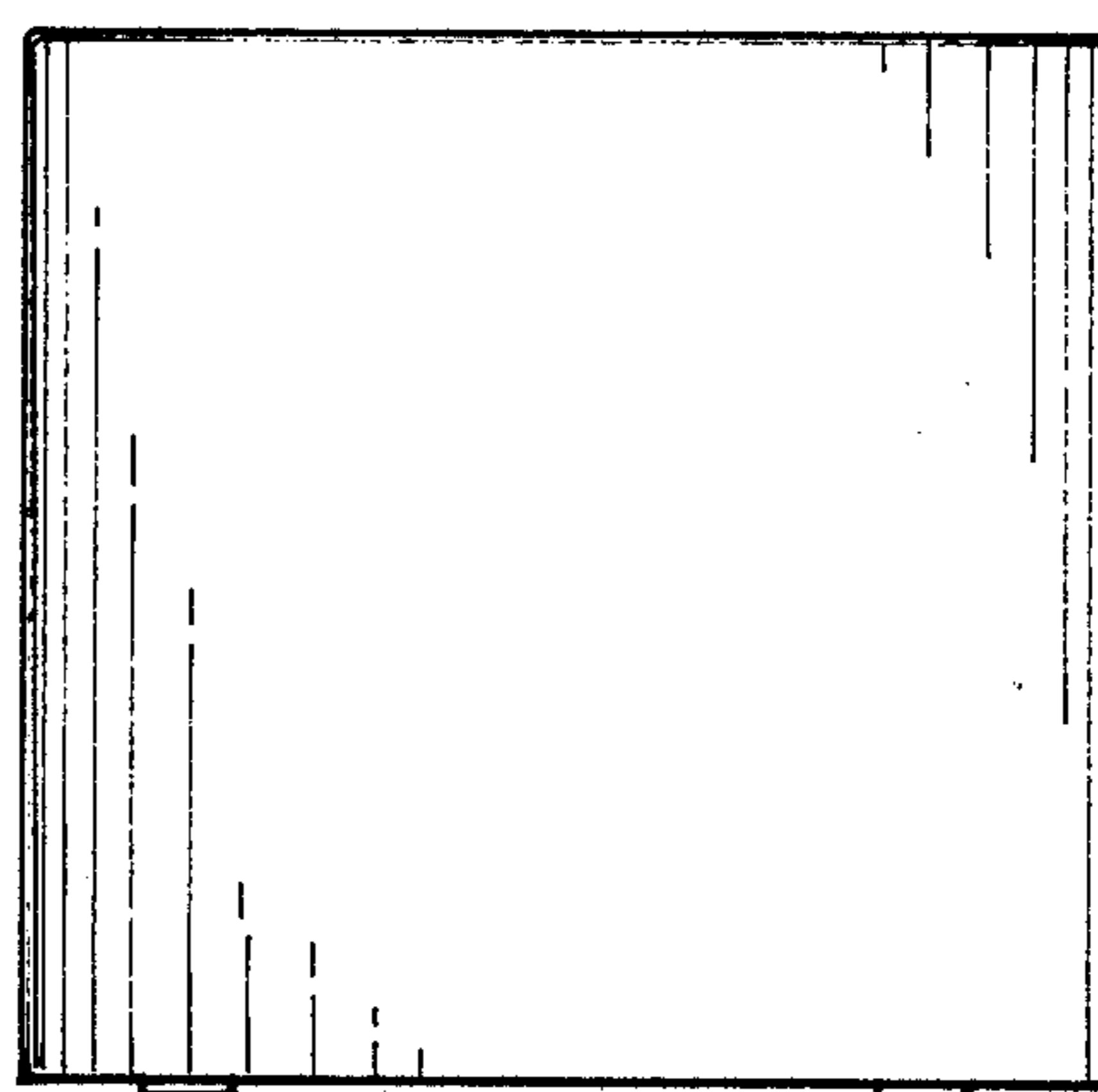


FIG. 7

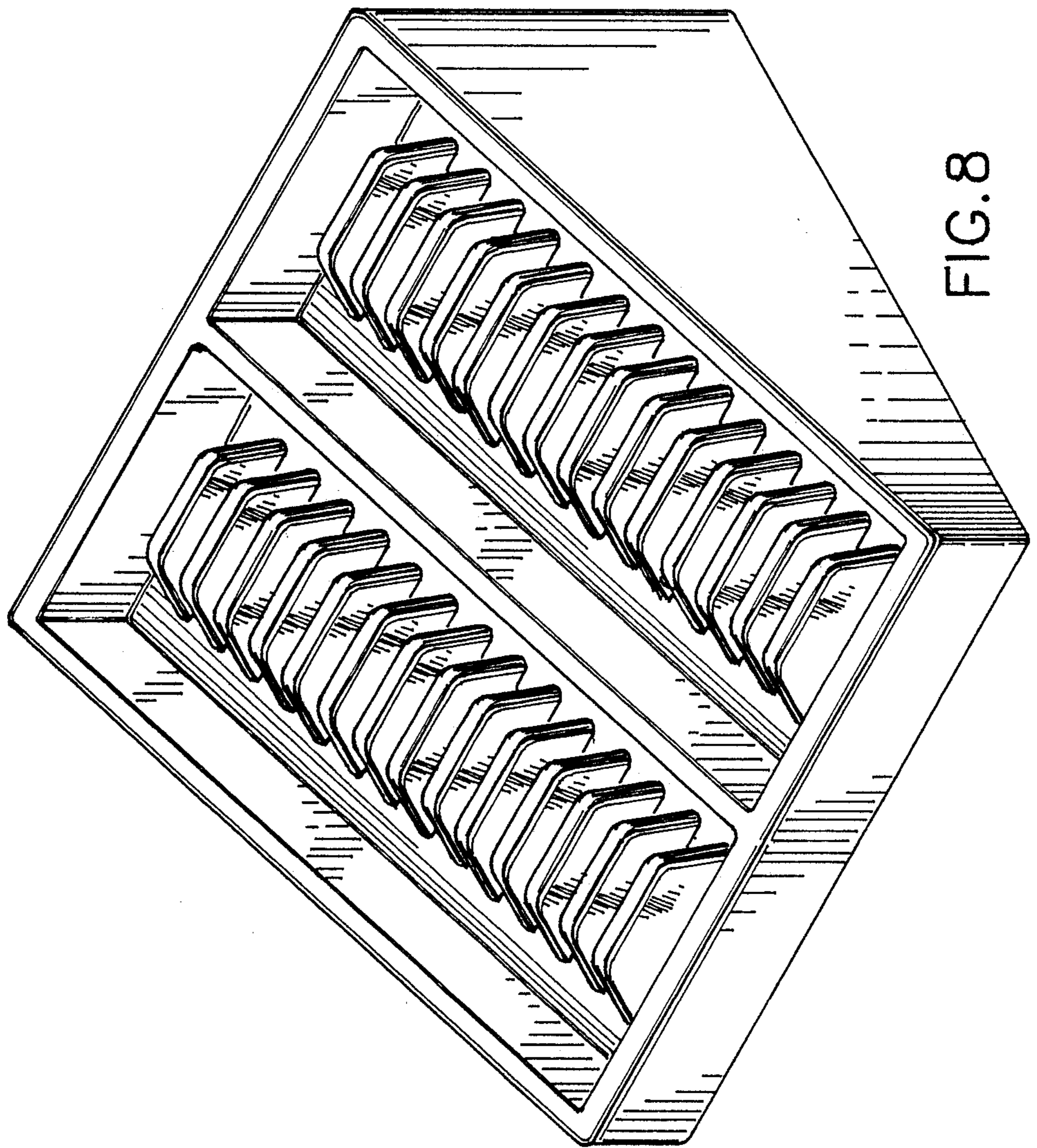


FIG. 8