

United States Patent [19]

Frinier

[11] Patent Number: **Des. 300,090**

[45] Date of Patent: **** Mar. 7, 1989**

[54] **ROCKER**

[75] Inventor: **Richard Frinier, Long Beach, Calif.**

[73] Assignee: **Brown Jordan Company, El Monte, Calif.**

[**] Term: **14 Years**

[21] Appl. No.: **908,143**

[22] Filed: **Sep. 16, 1986**

[52] U.S. Cl. **D6/344; D6/365**

[58] Field of Search **D6/344, 364, 365, 366, D6/374, 367, 368, 375, 379; 297/258, 261, 340, 345**

[56] **References Cited**

U.S. PATENT DOCUMENTS

D. 218,816 9/1970 Leaver D6/365
D. 274,675 7/1984 Diffrient D6/366
D. 279,947 8/1985 Ballarini D6/365

D. 285,629 9/1986 Franck et al. D6/366
D. 289,235 4/1987 Heyl D6/365
D. 289,349 4/1987 Vanderminden D6/379
D. 291,846 9/1987 Conn D6/365 X
D. 292,655 11/1987 Hendrick D6/366
D. 295,584 5/1988 Conn D6/365
D. 295,924 5/1988 Raney D6/365

Primary Examiner—Bruce W. Dunkins
Attorney, Agent, or Firm—Christie Parker & Hale

[57] CLAIM

The ornamental design for a rocker, as shown and described.

DESCRIPTION

FIG. 1 is a perspective view of a rocker showing my design;
FIG. 2 is a side elevational view;
FIG. 3 is a front elevational view;
FIG. 4 is a rear elevational view; and,
FIG. 5 is a top plan view thereof.



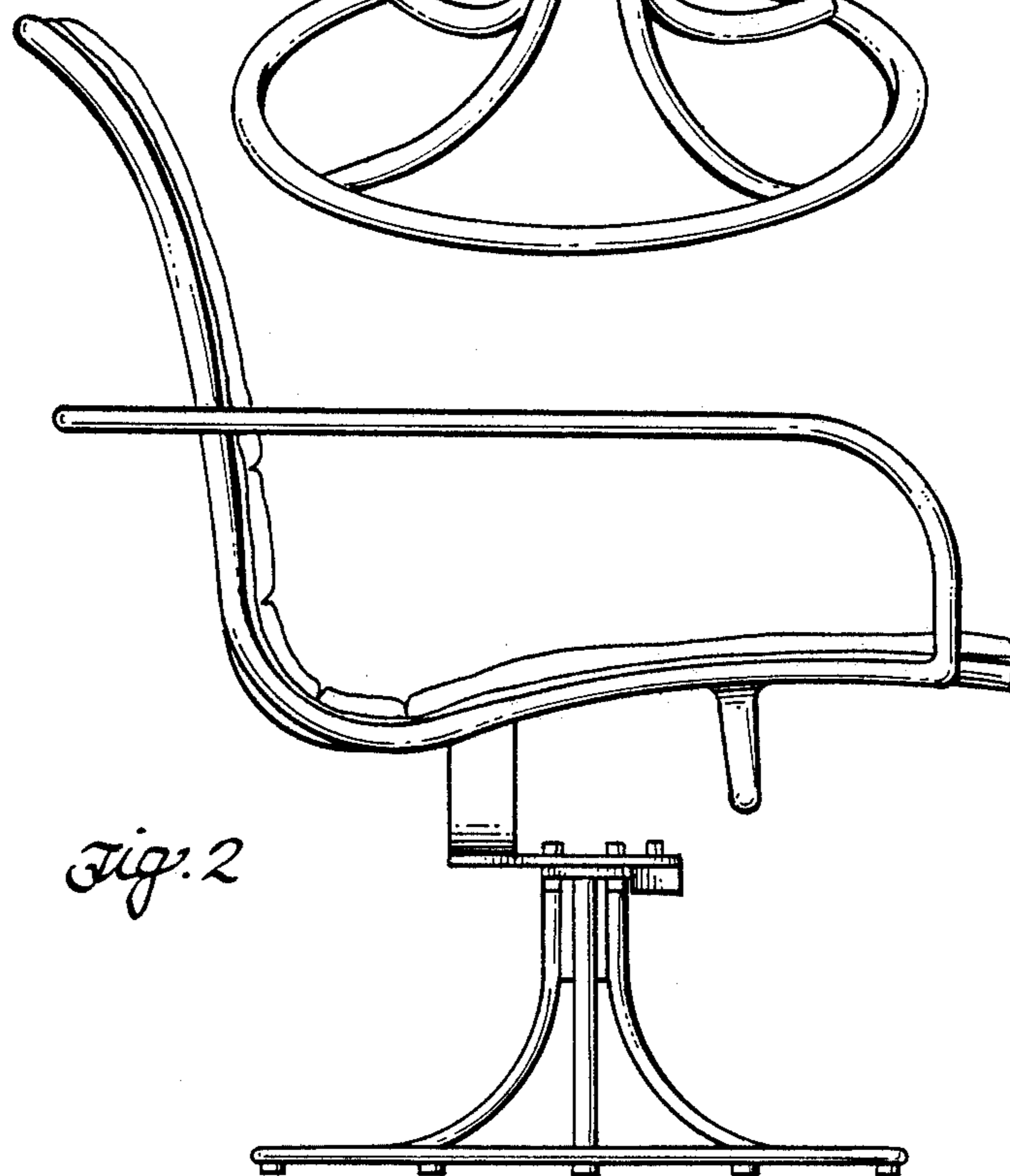


Fig. 3

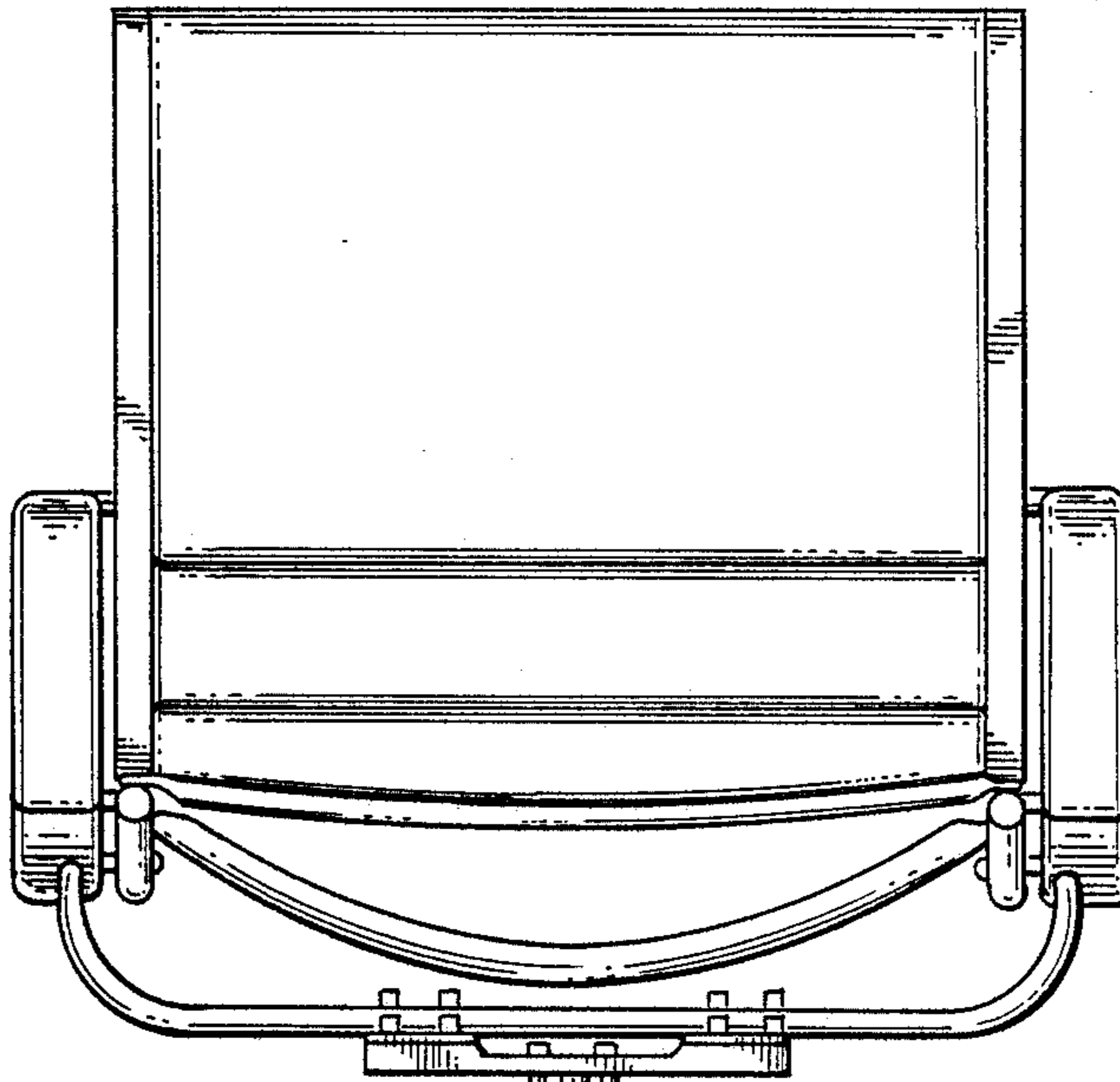


Fig. 4

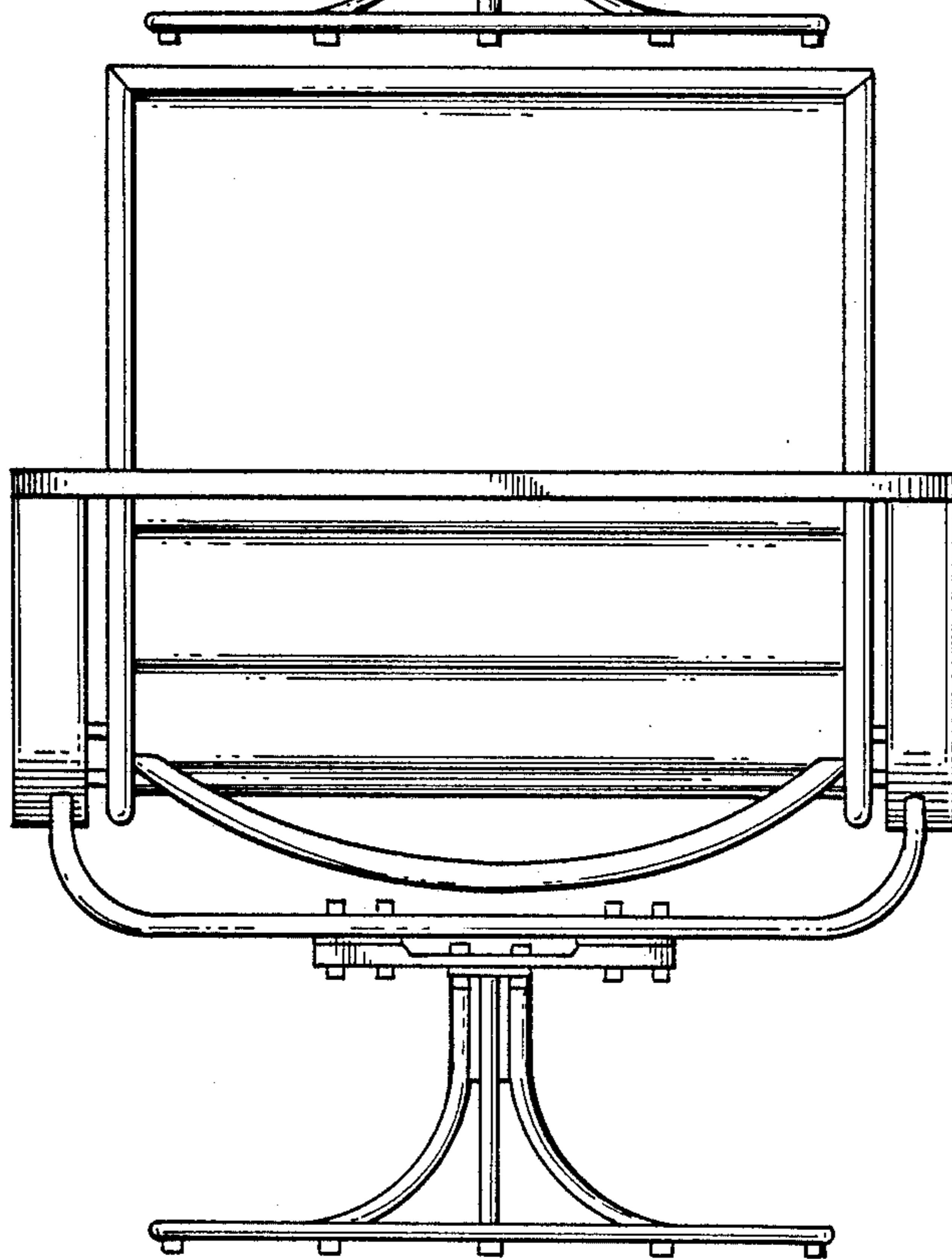


Fig. 5

