

[54] **JEWELRY PENDANT**

[76] **Inventor: Ben N. Smith, 705 Providence Rd., Charlotte, N.C. 28207**

[**] **Term: 14 Years**

[21] **Appl. No.: 896,114**

[22] **Filed: Aug. 12, 1986**

[52] **U.S. Cl. D99/27; D11/96**

[58] **Field of Search D11/96, 81, 79; 362/121; D99/23, 25-27**

[56] **References Cited**

U.S. PATENT DOCUMENTS

- D. 115,152 6/1939 Richardson D11/96 X
- D. 170,667 10/1953 Stonberg D11/81 X
- D. 189,687 1/1961 McAllister D99/27

- 1,614,703 1/1927 Wolfers 362/121
- 2,876,559 3/1959 Sloan D99/26 X

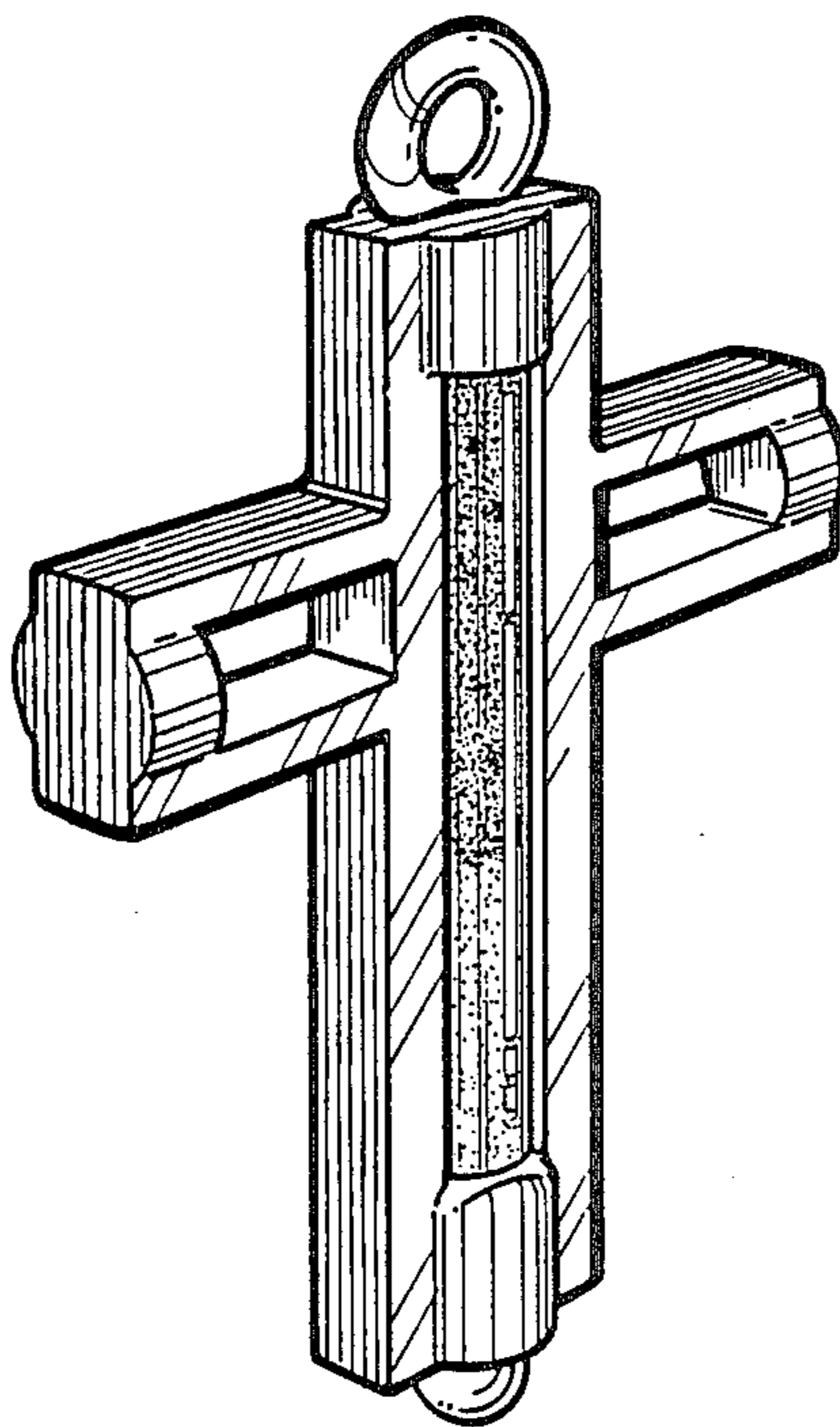
Primary Examiner—Winifred E. Herrmann
Attorney, Agent, or Firm—Shefte, Pinckney & Sawyer

[57] **CLAIM**

The ornamental design for a jewelry pendant, as shown and described.

DESCRIPTION

FIG. 1 is a perspective view of a jewelry pendant, showing my new design;
FIG. 2 is a left side elevational view thereof;
FIG. 3 is a right side elevational view thereof;
FIG. 4 is a front side elevational view thereof;
FIG. 5 is a top plan view thereof;
FIG. 6 is a bottom plan view thereof; and
FIG. 7 is a rear side elevational view thereof.



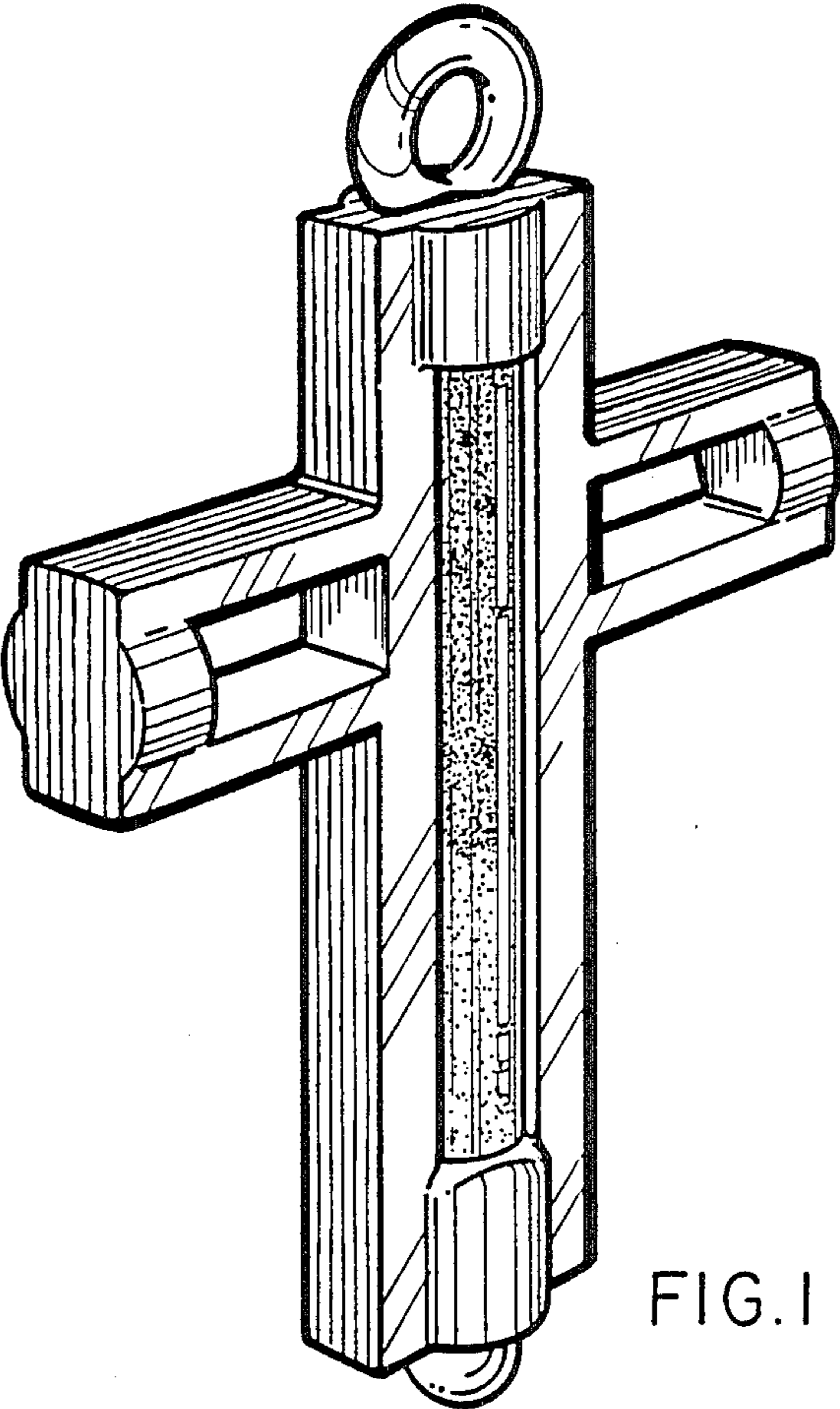


FIG. I

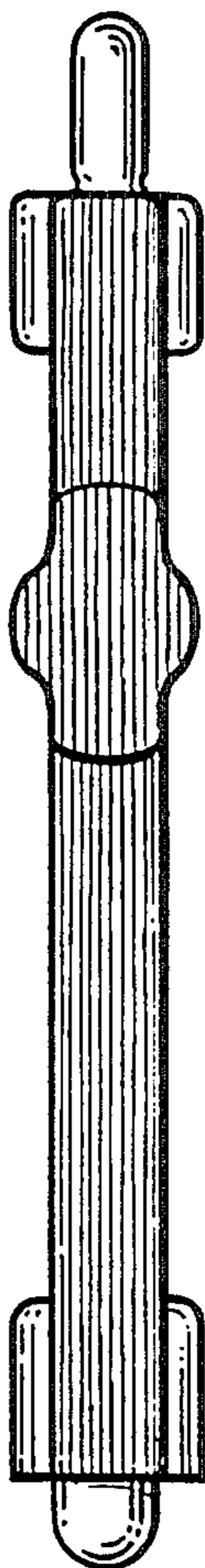


FIG. 2

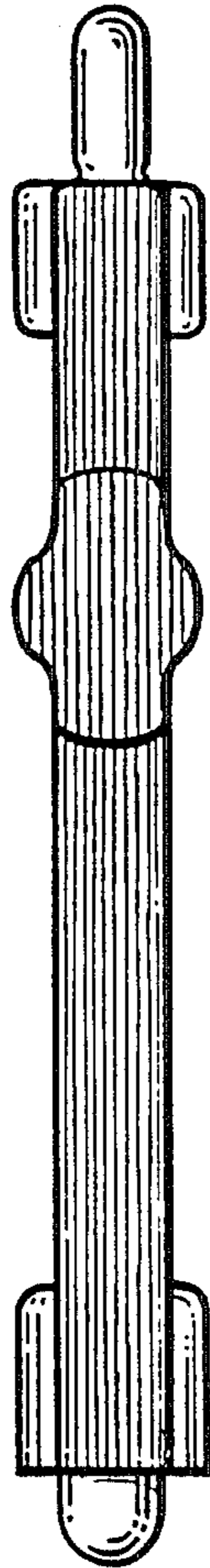


FIG. 3

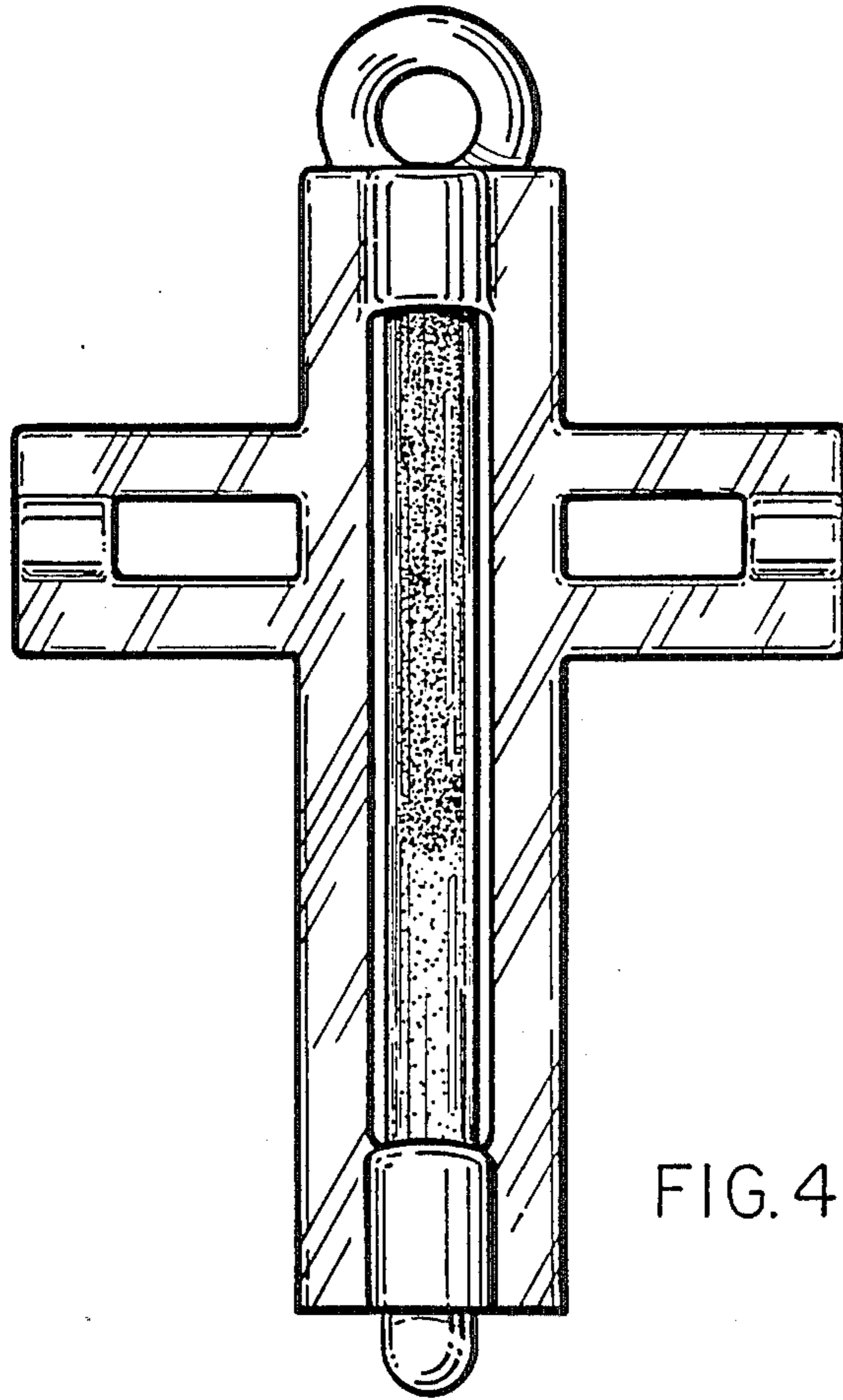


FIG. 4

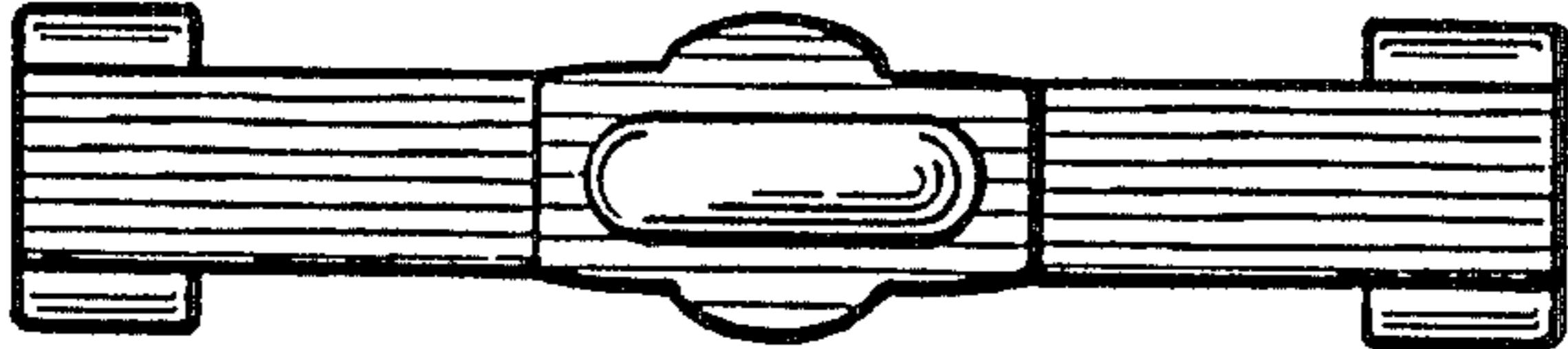


FIG. 5

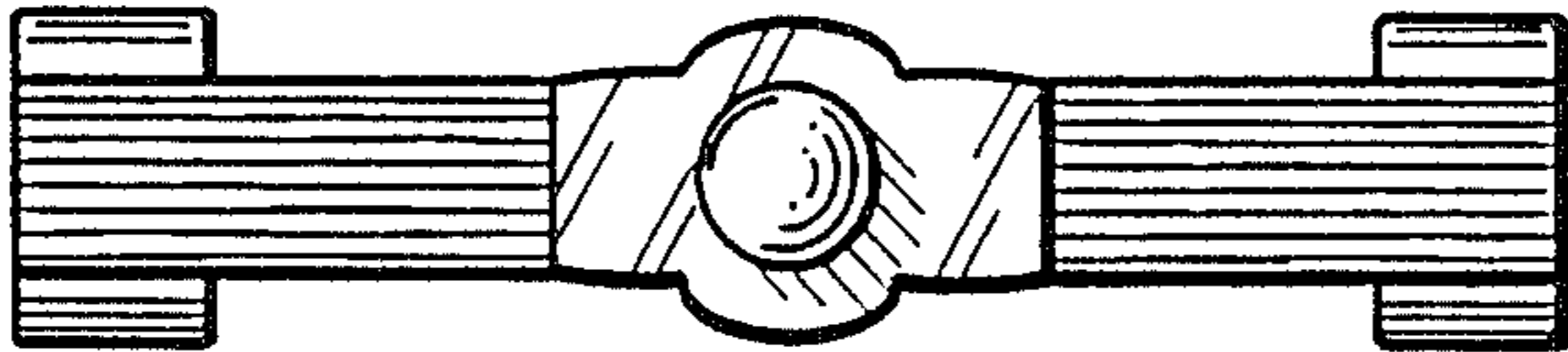


FIG. 6

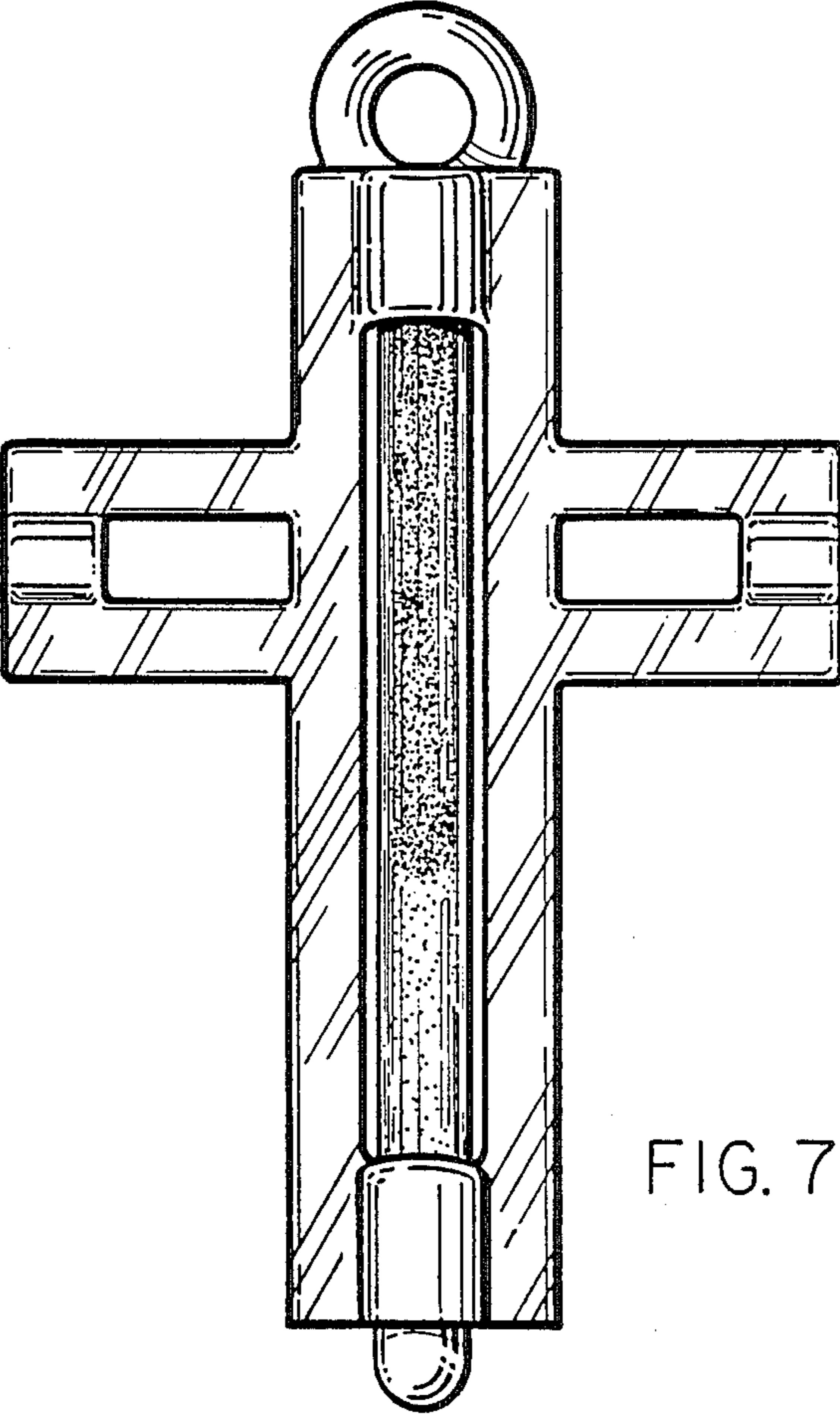


FIG. 7