

[54] COMBINED PALLET AND CONTAINERS THEREFOR

[75] Inventor: Larry D. Thomas, Beatrice, Nebr.

[73] Assignee: Hoover Group, Inc., Roswell, Ga.

[**] Term: 14 Years

[21] Appl. No.: 859,725

[22] Filed: May 5, 1986

[52] U.S. Cl. D34/38

[58] Field of Search D34/38, 17, 12; 108/51.1, 53.1, 55.3, 57.1, 52.1; 211/49.1, 41, 13; 296/4, 179 R, 179 A; 220/19; 280/79.2, 79.3

[56] References Cited

U.S. PATENT DOCUMENTS

D. 295,097	4/1988	Cohn et al.	D34/17
2,645,352	7/1953	Petzold	211/49.1
3,636,888	1/1972	Angelbeck, Jr.	108/53.1
3,895,588	7/1975	Miller	108/53.1
4,061,391	12/1977	Violette	D34/38

4,448,312 5/1984 Schuman 211/13

FOREIGN PATENT DOCUMENTS

1268059 5/1968 Fed. Rep. of Germany 108/55.3

Primary Examiner—Wallace R. Burke

Assistant Examiner—Kay H. Chin

Attorney, Agent, or Firm—Harness, Dickey & Pierce

[57] CLAIM

The ornamental design for a combined pallet and containers therefor, as shown and described.

DESCRIPTION

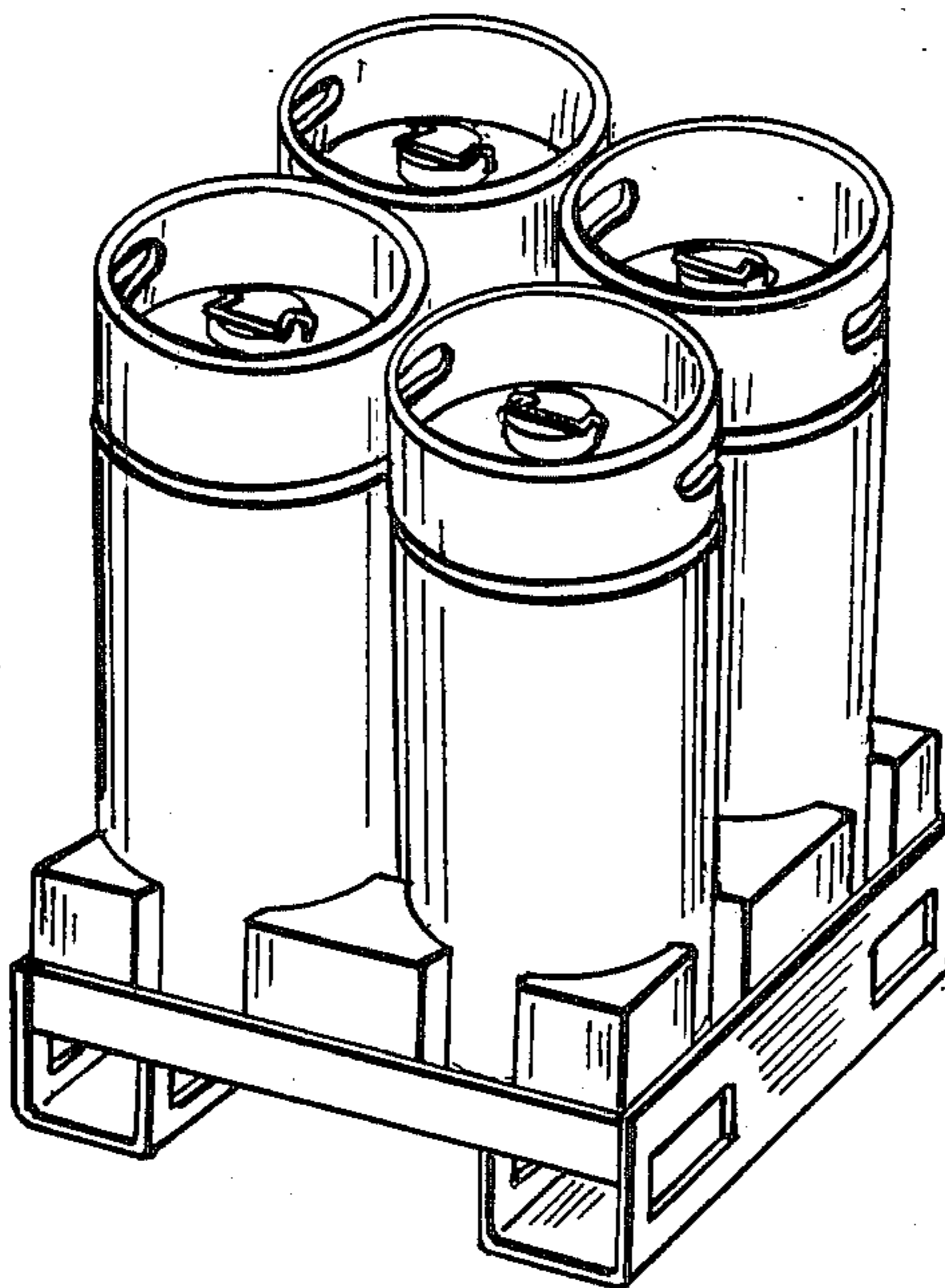
FIG. 1 is a perspective view of a combined pallet and containers therefor showing my new design;

FIG. 2 is a top plan view thereof;

FIG. 3 is a side elevational view thereof, the opposite side elevational view being a mirror image of that shown;

FIG. 4 is a front elevational view thereof, the rear elevational view being a mirror image of that shown; and

FIG. 5 is a bottom view thereof.



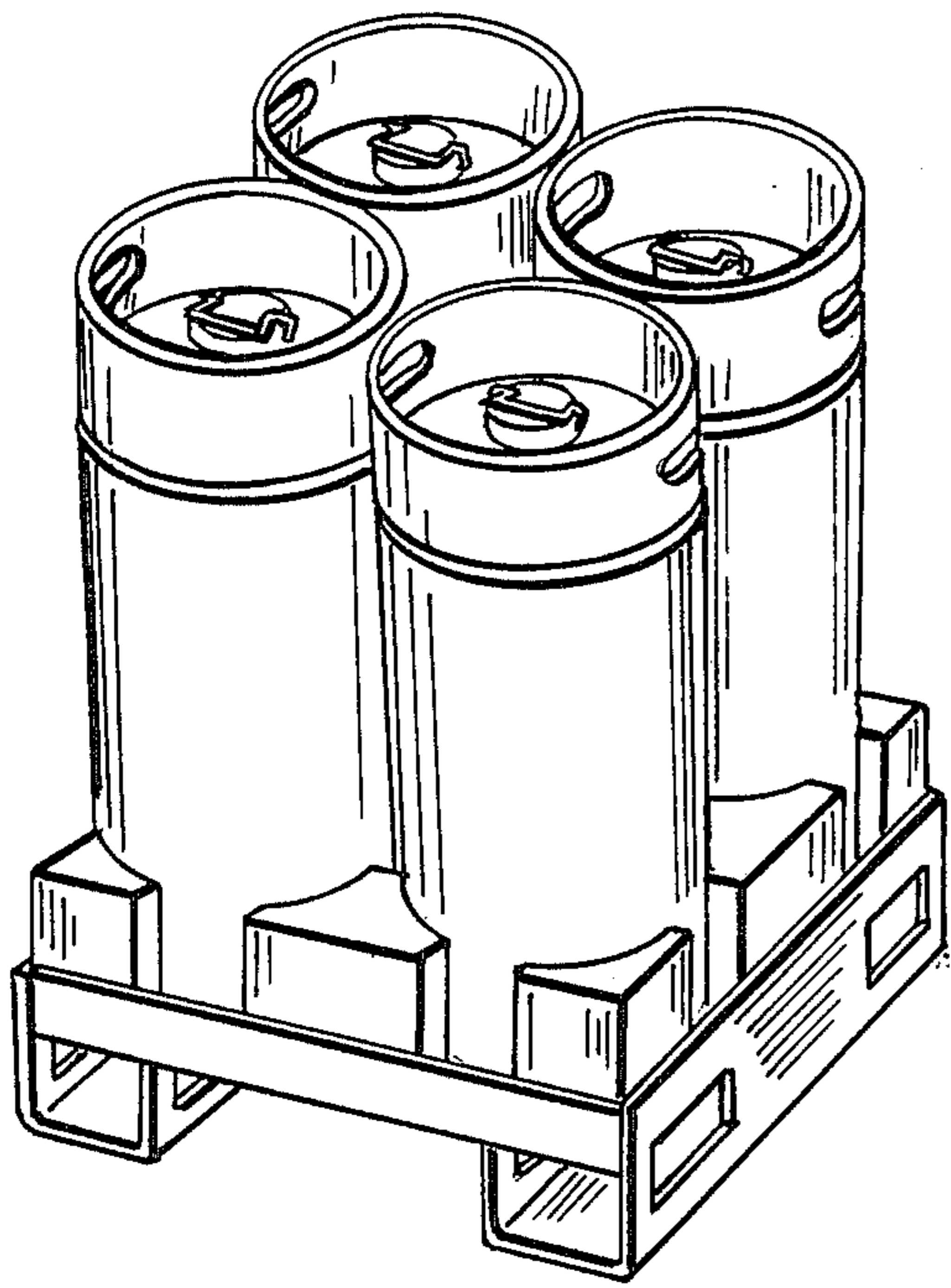


Fig. 1

Fig. 2

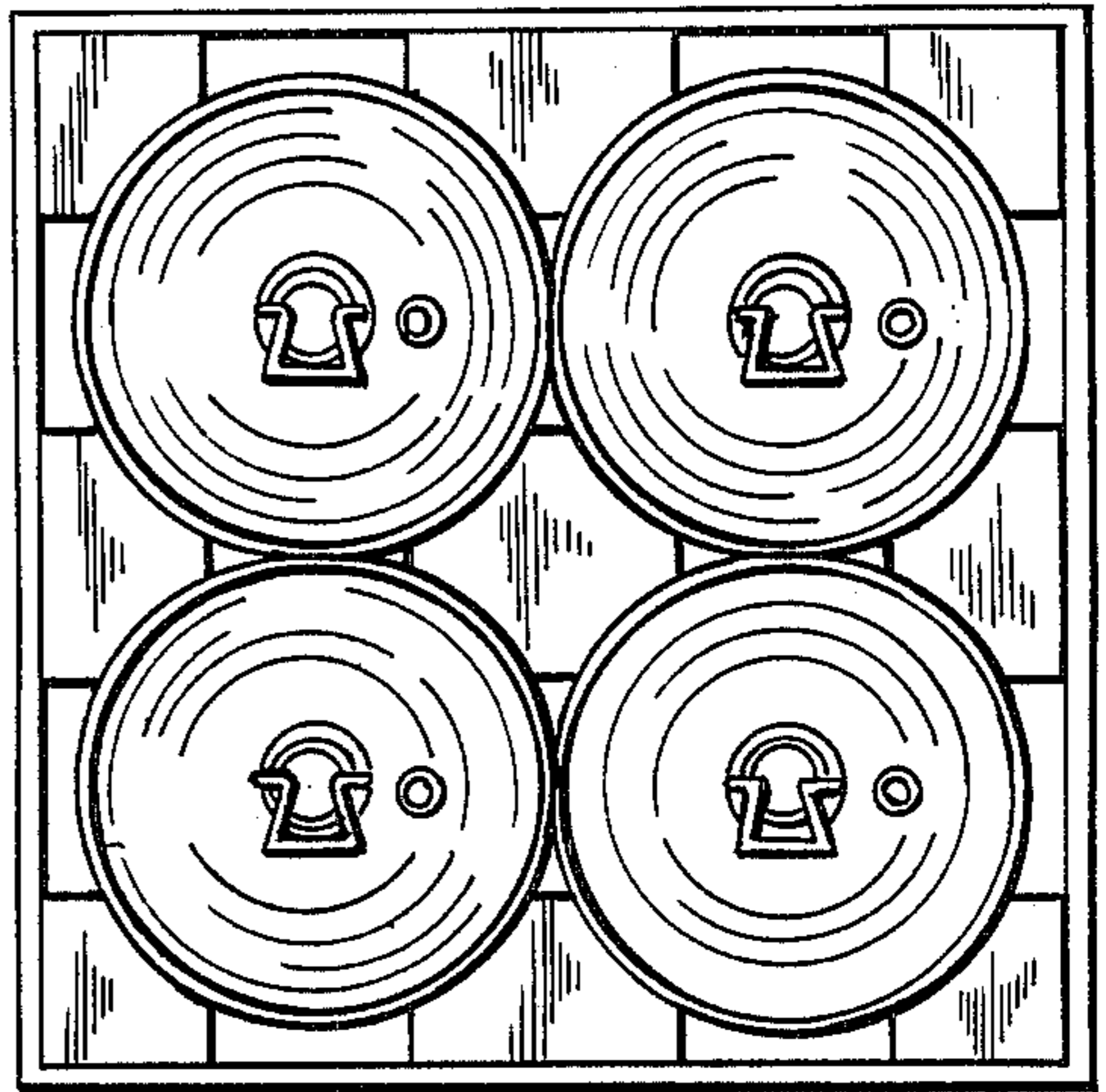


Fig. 3

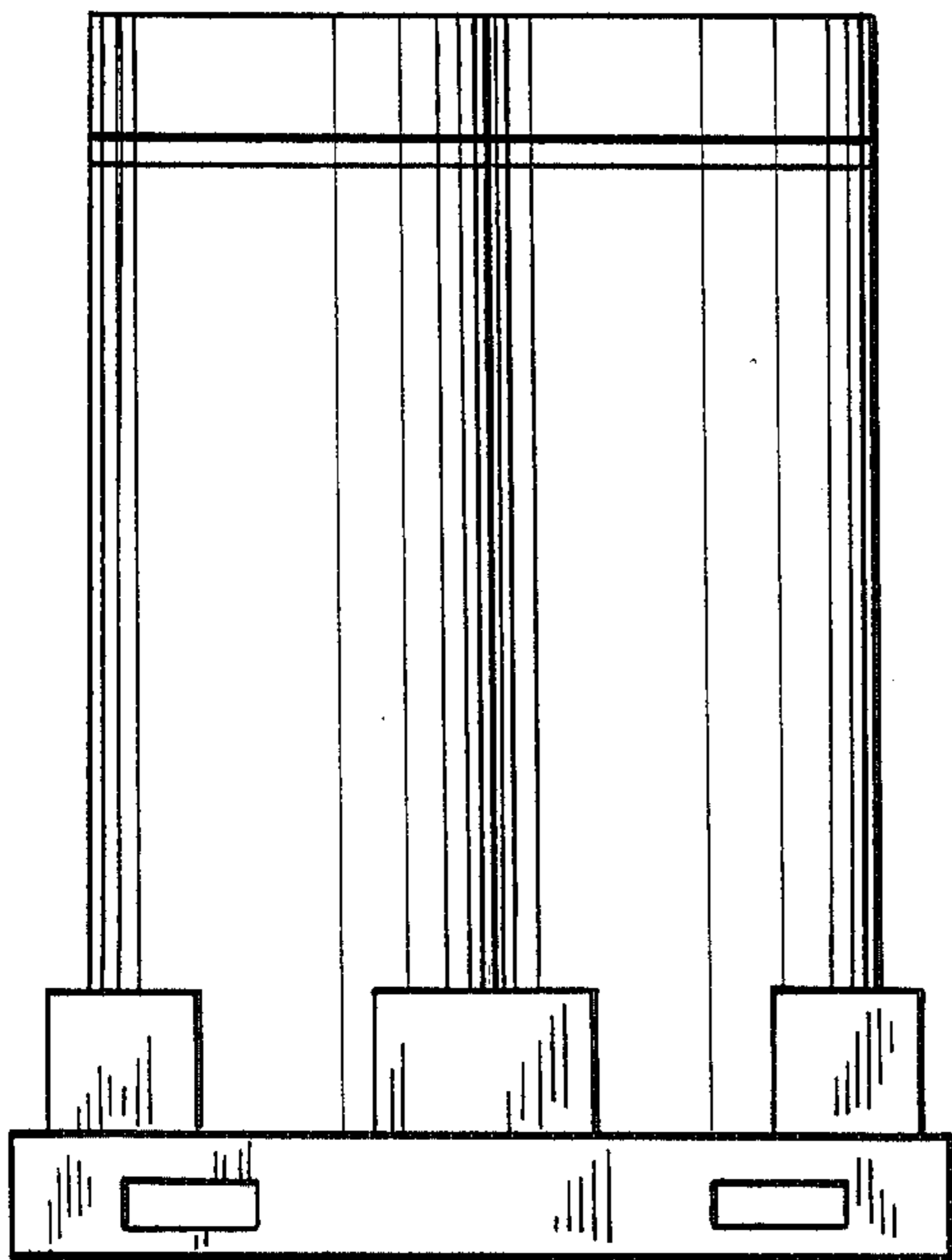
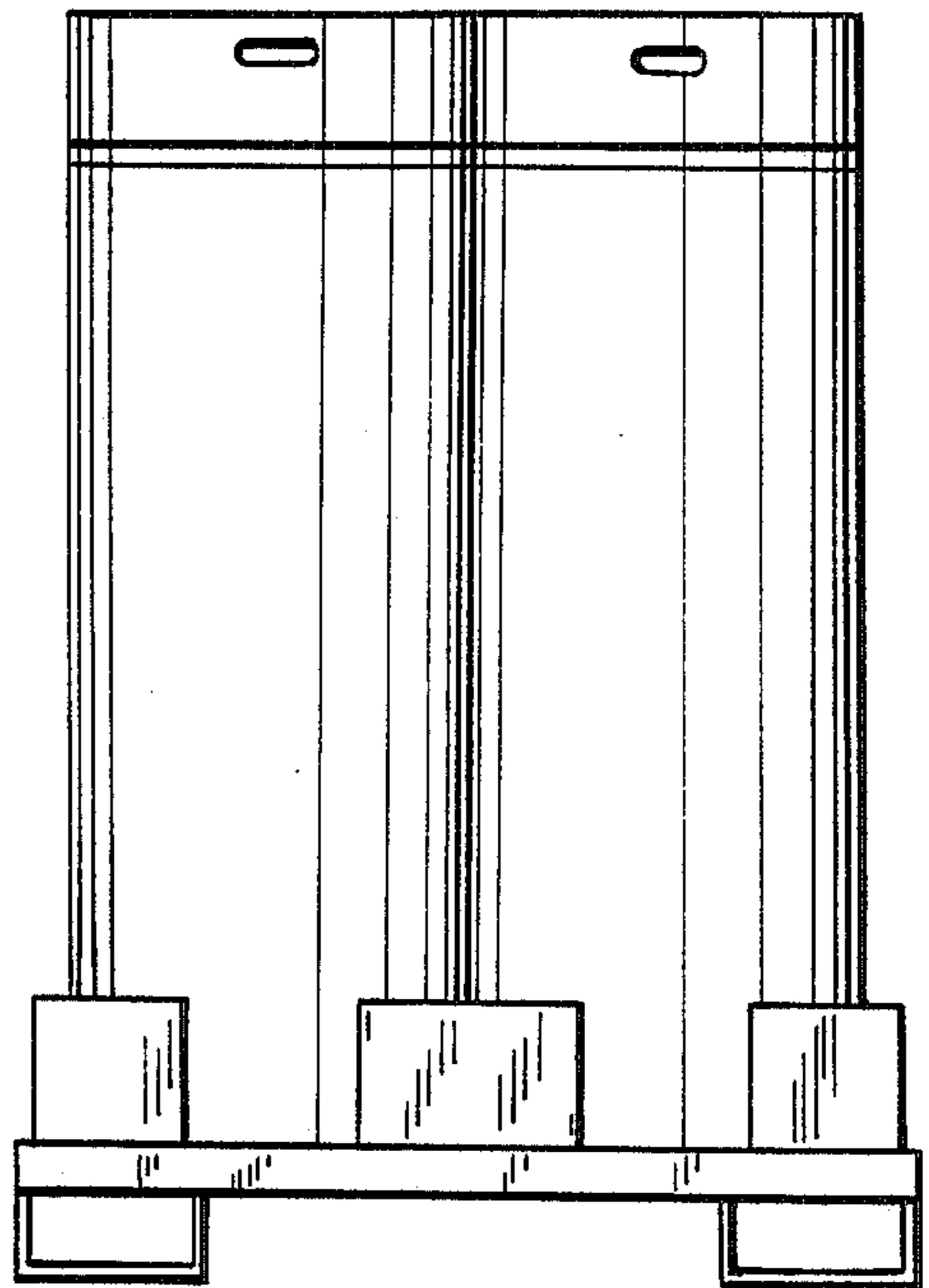


Fig. 4

Fig. 5

