

[54] **PORTABLE EXTENSION RAMP**

[76] **Inventor: Robert F. Crump, 1503 Thackeray Dr., Louisville, Ky. 40205**

[**] **Term: 14 Years**

[21] **Appl. No.: 827,727**

[22] **Filed: Feb. 10, 1986**

[52] **U.S. Cl. D34/32**

[58] **Field of Search D34/28, 32; 14/71.1, 14/69.5, 71.7; 414/537; 248/346; 254/88, 81; 193/41, 38**

[56] **References Cited**

U.S. PATENT DOCUMENTS

3,511,393	5/1970	Abromavage et al.	14/71.1
3,870,170	3/1975	Noble et al.	14/69.5
4,235,370	11/1980	Newby	14/69.5
4,528,711	7/1985	Packer	14/69.5

FOREIGN PATENT DOCUMENTS

255065 11/1970 U.S.S.R. 14/71.1

Primary Examiner—Wallace R. Burke
Assistant Examiner—Kay H. Chin
Attorney, Agent, or Firm—Scott R. Cox

[57] **CLAIM**

The ornamental design for a portable extension ramp, as shown and described.

DESCRIPTION

FIG. 1 is a front perspective view of a portable extension ramp showing my new design, the broken lines are for illustrative purposes only and form no part of the claimed design;

FIG. 2 is a right side elevational view thereof, showing the ramp in fully closed condition;

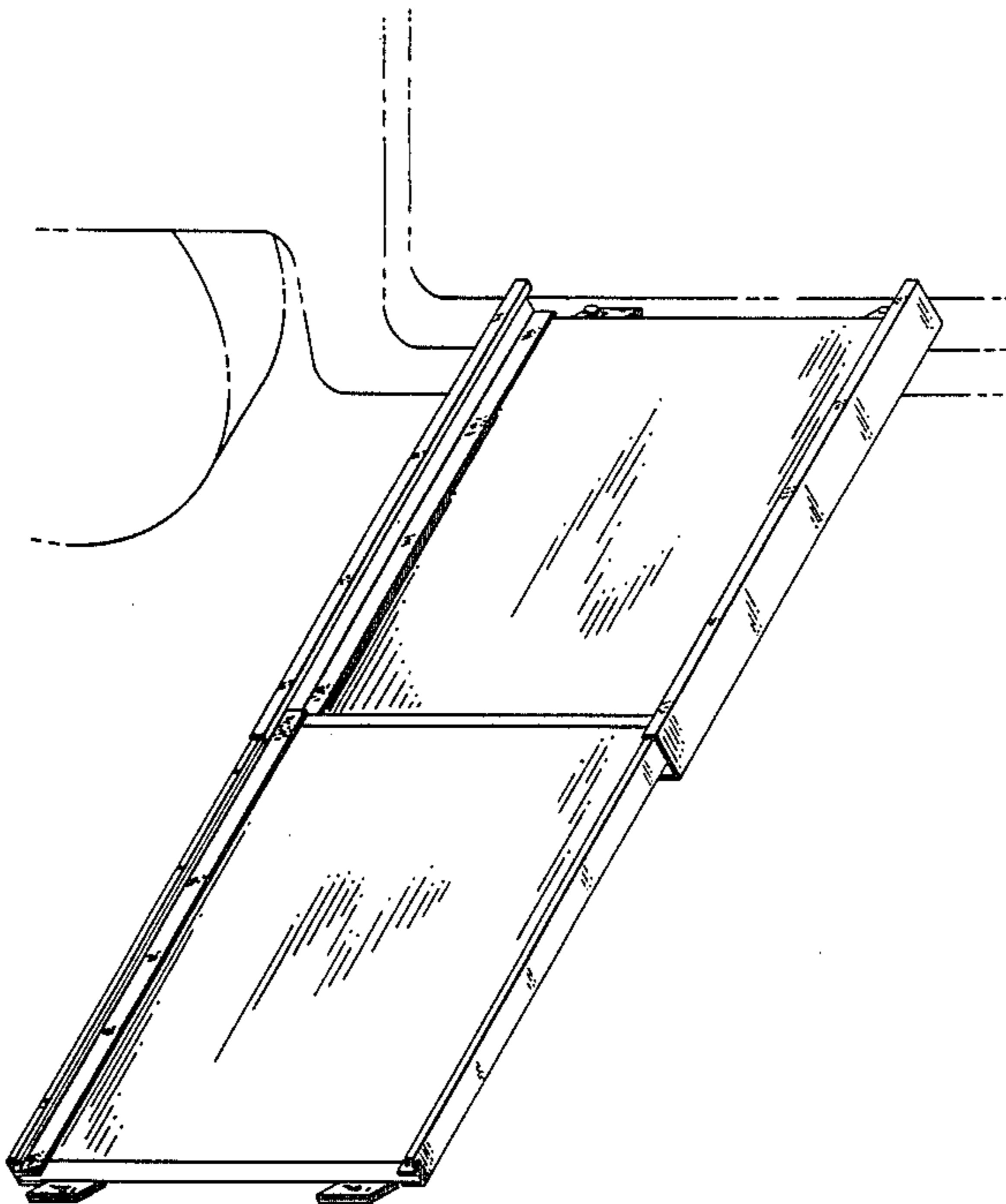
FIG. 3 is an enlarged front elevational view thereof;

FIG. 4 is an enlarged rear elevational view thereof;

FIG. 5 is an enlarged right side elevational view thereof, showing the ramp in fully extended condition;

FIG. 6 is a top plan view thereof; and,

FIG. 7 is a bottom plan view thereof.



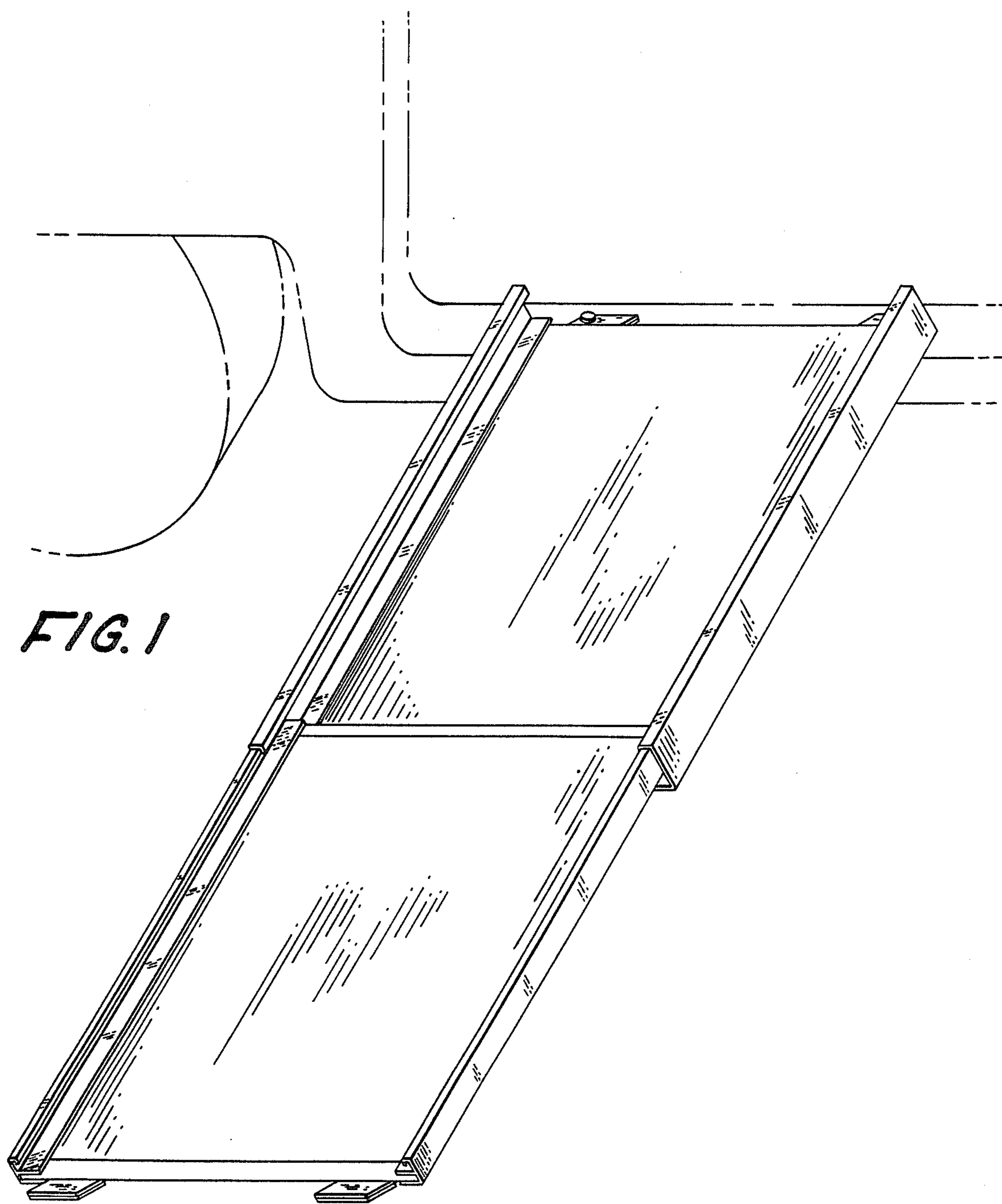


FIG. 1

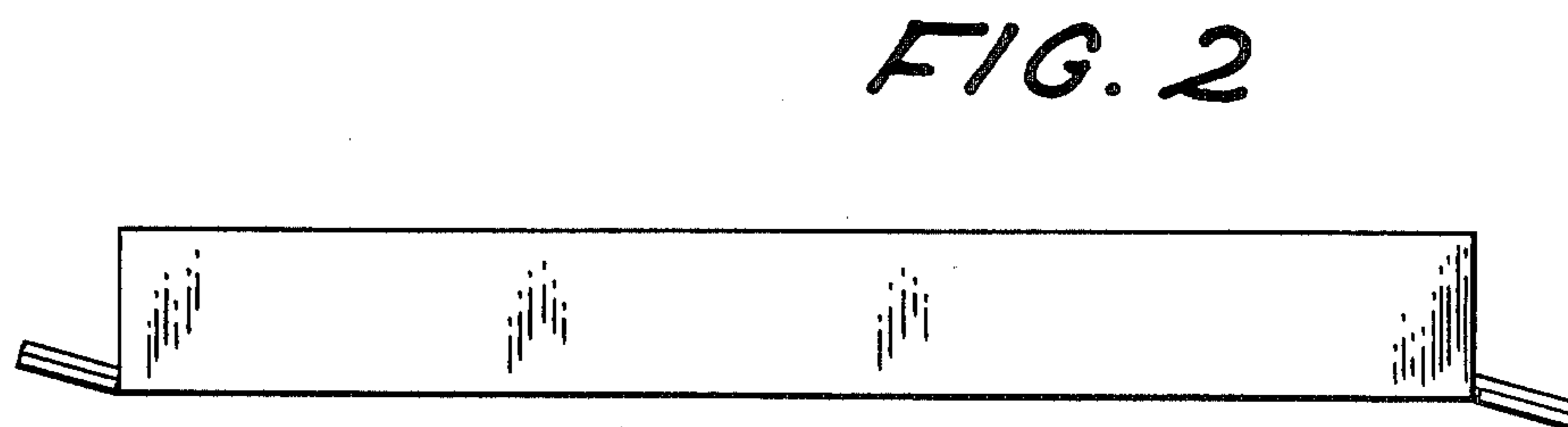


FIG. 2

FIG. 3

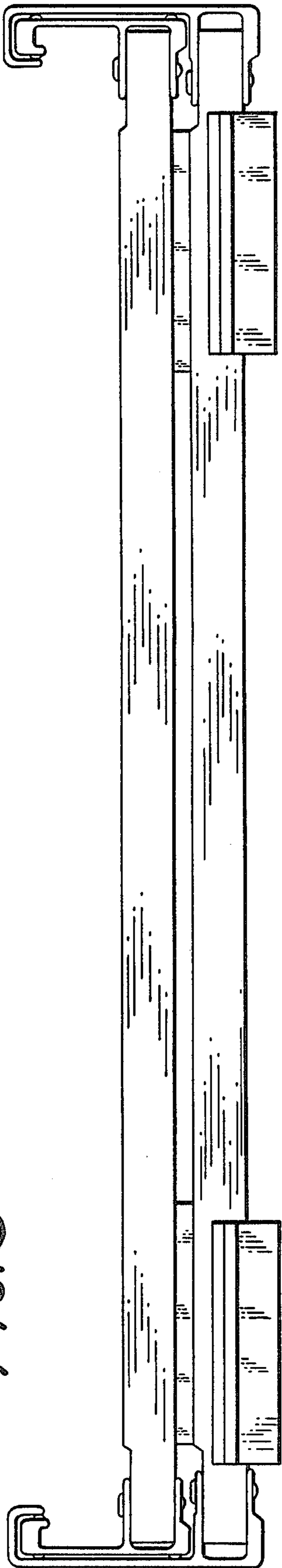


FIG. 4

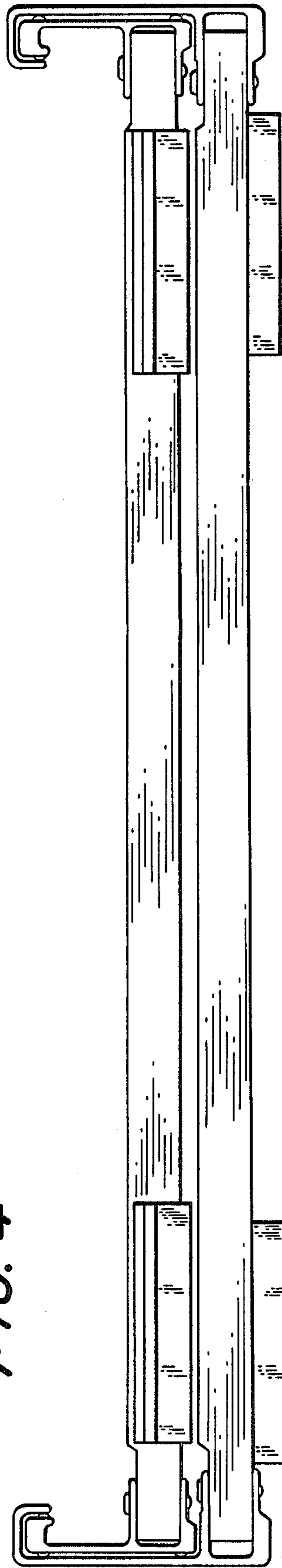
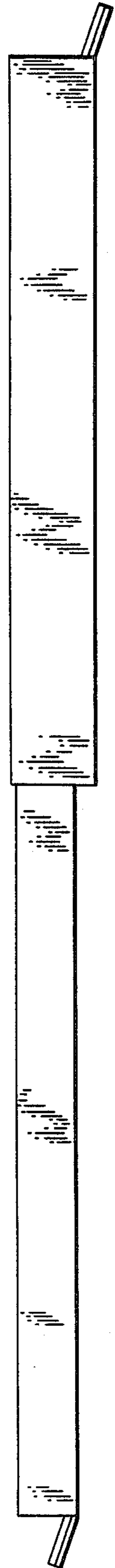


FIG. 5



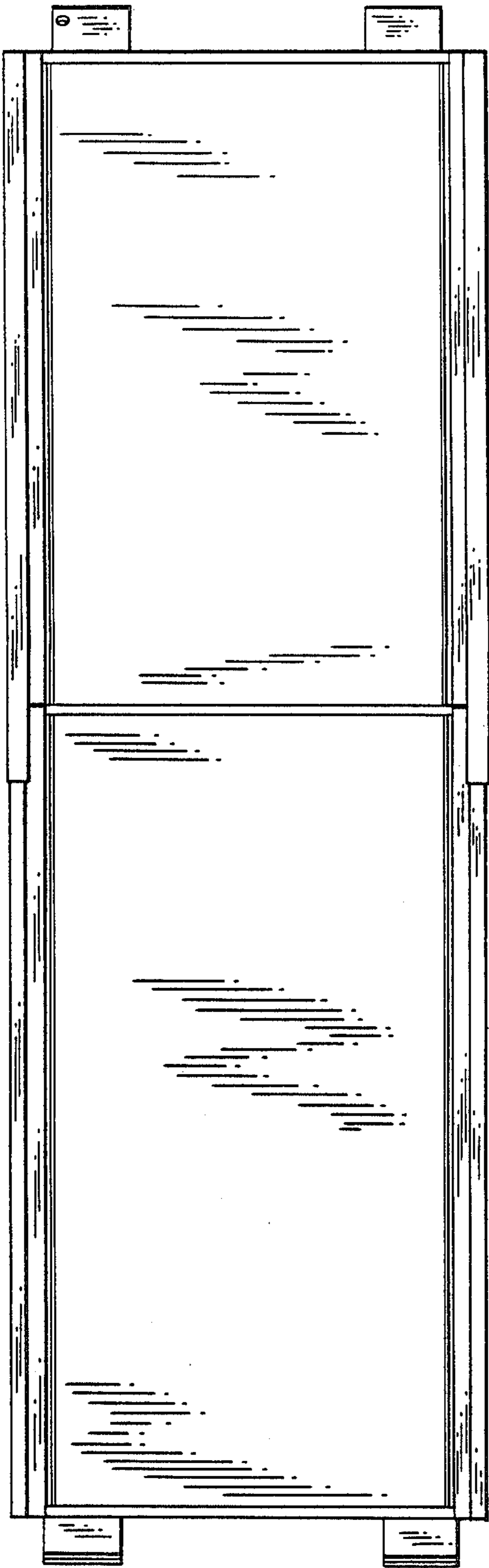


FIG. 6

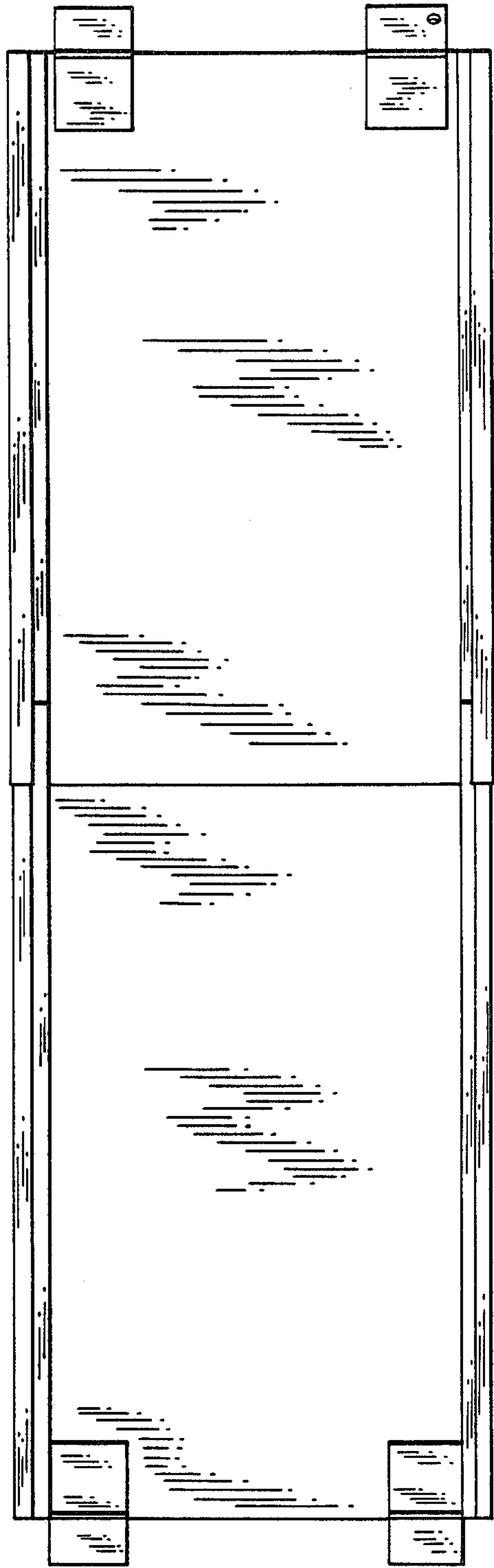


FIG. 7