

[54] STORAGE CART

[75] Inventor: Richard S. Dunchock, South Laguna, Calif.

[73] Assignee: SL Corporation, Troy, Mich.

[*] Notice: The portion of the term of this patent subsequent to Dec. 6, 2002 has been disclaimed.

[**] Term: 14 Years

[21] Appl. No.: 28,196

[22] Filed: Mar. 19, 1987

[52] U.S. Cl. D34/17; D6/462

[58] Field of Search D34/17, 23; D6/462; 280/79.1 A, 79.3; 248/176, 129; 211/13, 41

[56] References Cited

U.S. PATENT DOCUMENTS

D. 232,625	9/1974	Shiflet	D34/17
D. 237,597	11/1975	Clarke et al.	D34/17
D. 265,517	7/1982	Dunchock	D34/17
D. 273,255	4/1984	Marcus	D6/462
D. 288,739	3/1987	Johnson, Jr. et al.	D34/17
D. 295,337	4/1988	Bogart	D34/17
402,340	4/1889	Martin	280/79.3
1,441,264	1/1923	Bruewer	206/335
2,377,023	5/1945	Milburn et al.	248/119
2,466,149	4/1949	Burg	280/57
2,681,233	6/1954	Smith	280/79.3
2,916,293	12/1959	Lang	280/79.3

2,980,438	4/1961	Baer	280/79.3
3,224,787	12/1965	Anderson	280/33.99
3,540,753	11/1970	Hanson	280/47.34
3,693,996	9/1972	Hardy	280/47.34
3,746,358	7/1973	Swick, Jr. et al.	280/36 R
3,946,876	3/1976	Jay	211/60 R
3,949,528	4/1976	Hartger et al.	52/79
3,953,047	4/1976	Morgan	280/639
4,085,844	4/1978	Dunchock	206/335
4,326,726	4/1982	Dunchock	280/79.1 A
4,630,838	12/1986	Stockton	280/79.1 A

FOREIGN PATENT DOCUMENTS

96505	7/1963	Denmark	280/79.3
-------	--------	---------------	----------

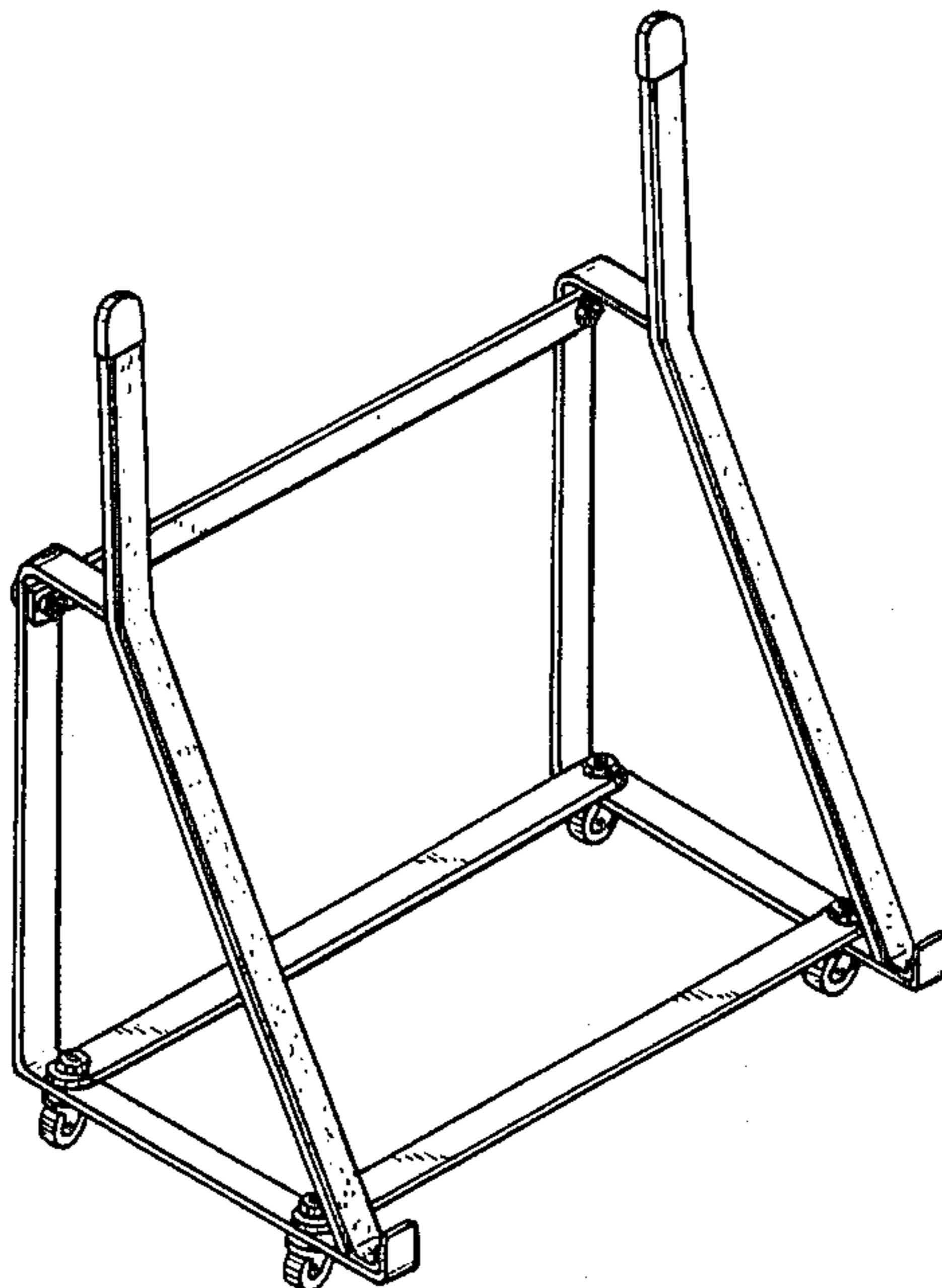
Primary Examiner—Wallace R. Burke
 Assistant Examiner—Kay H. Chin
 Attorney, Agent, or Firm—Basile and Hanlon

[57] CLAIM

The ornamental design for a storage cart, as shown and described.

DESCRIPTION

FIG. 1 is a perspective view of a storage cart showing my new design;
 FIG. 2 is a front elevational view thereof;
 FIG. 3 is a rear elevational view thereof;
 FIG. 4 is a right side elevational view which is a mirror image of the left side elevational view;
 FIG. 5 is a top plan view thereof; and
 FIG. 6 is a bottom plan view thereof.



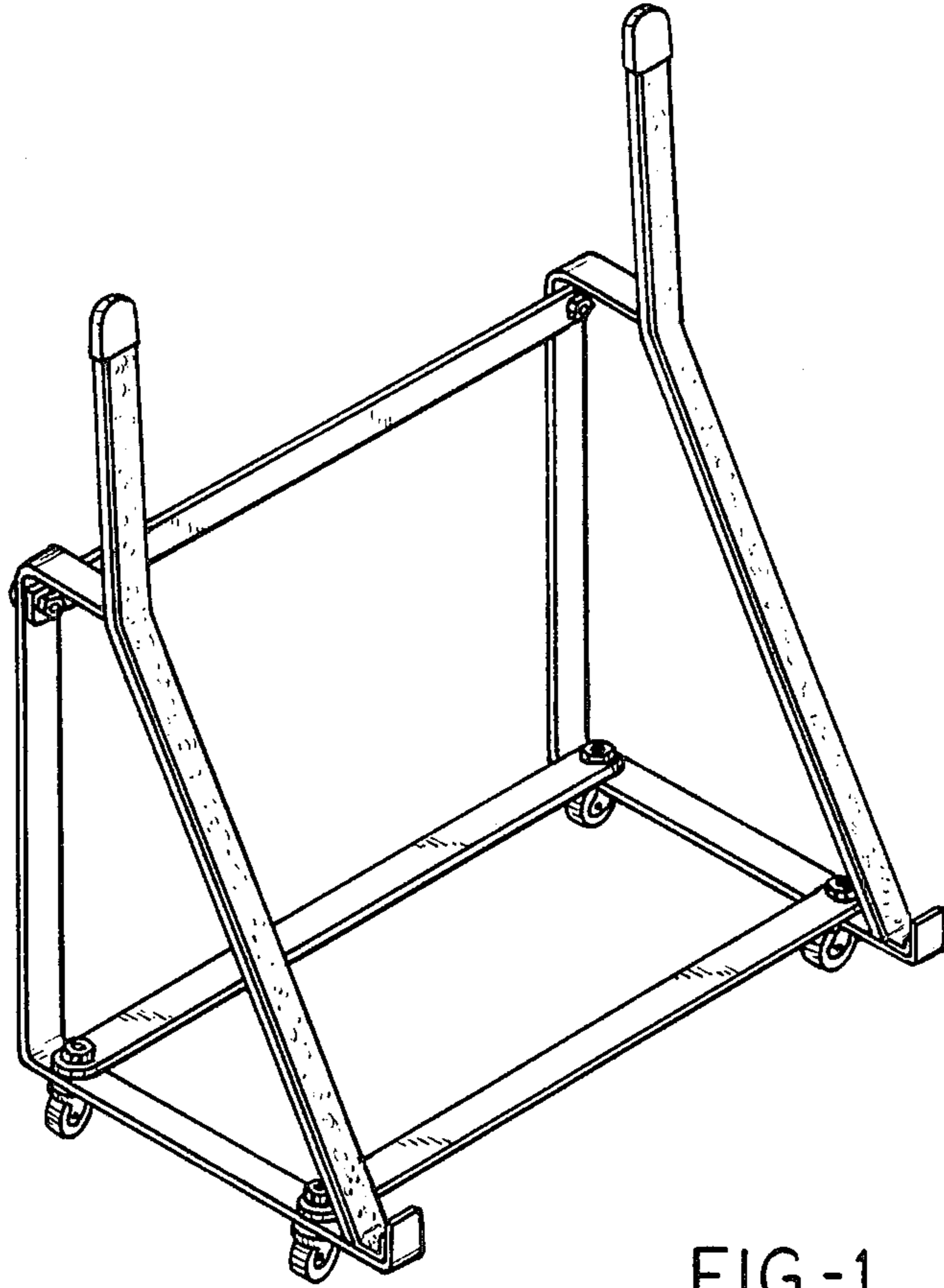


FIG - 1

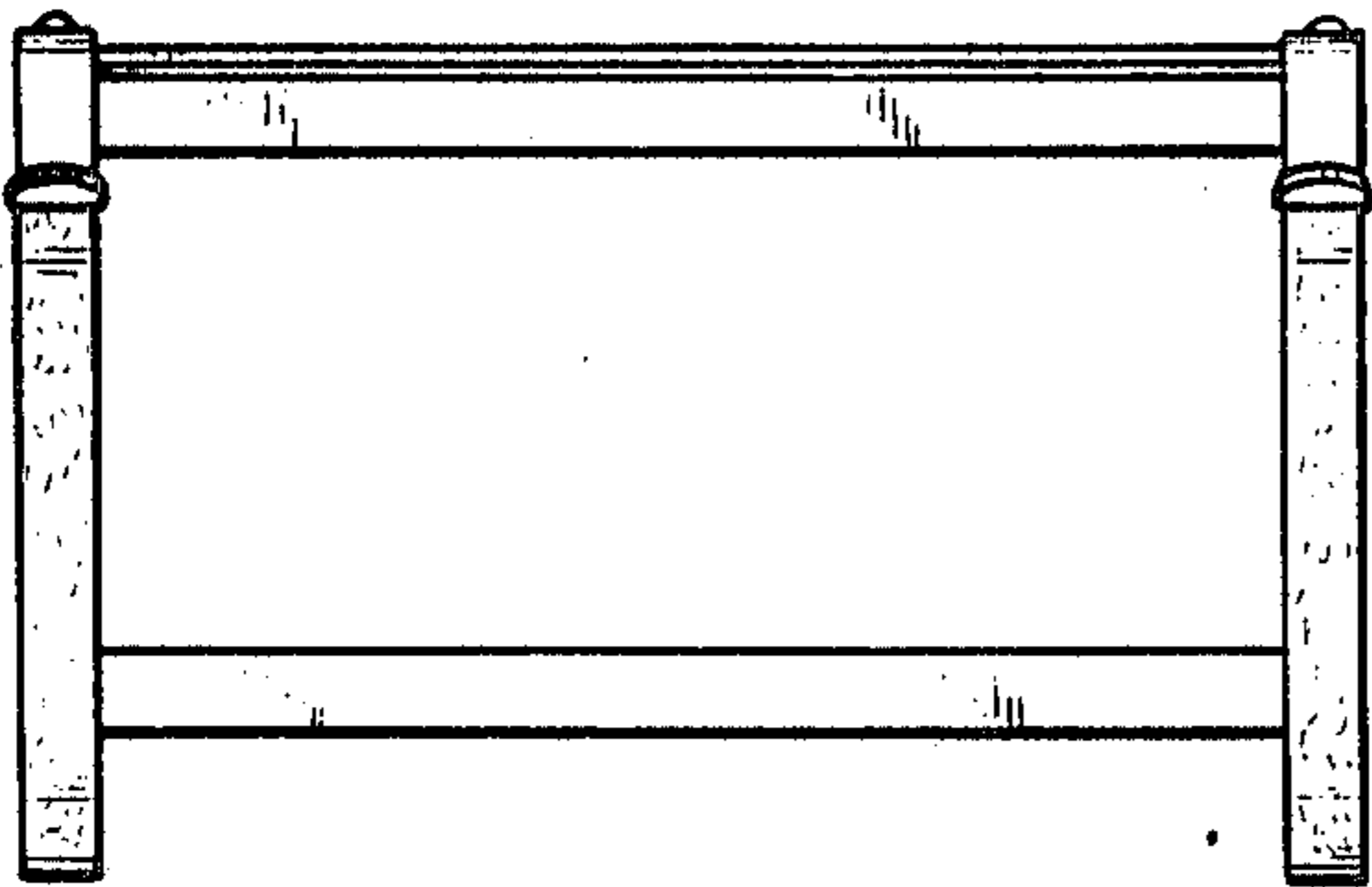


FIG - 5

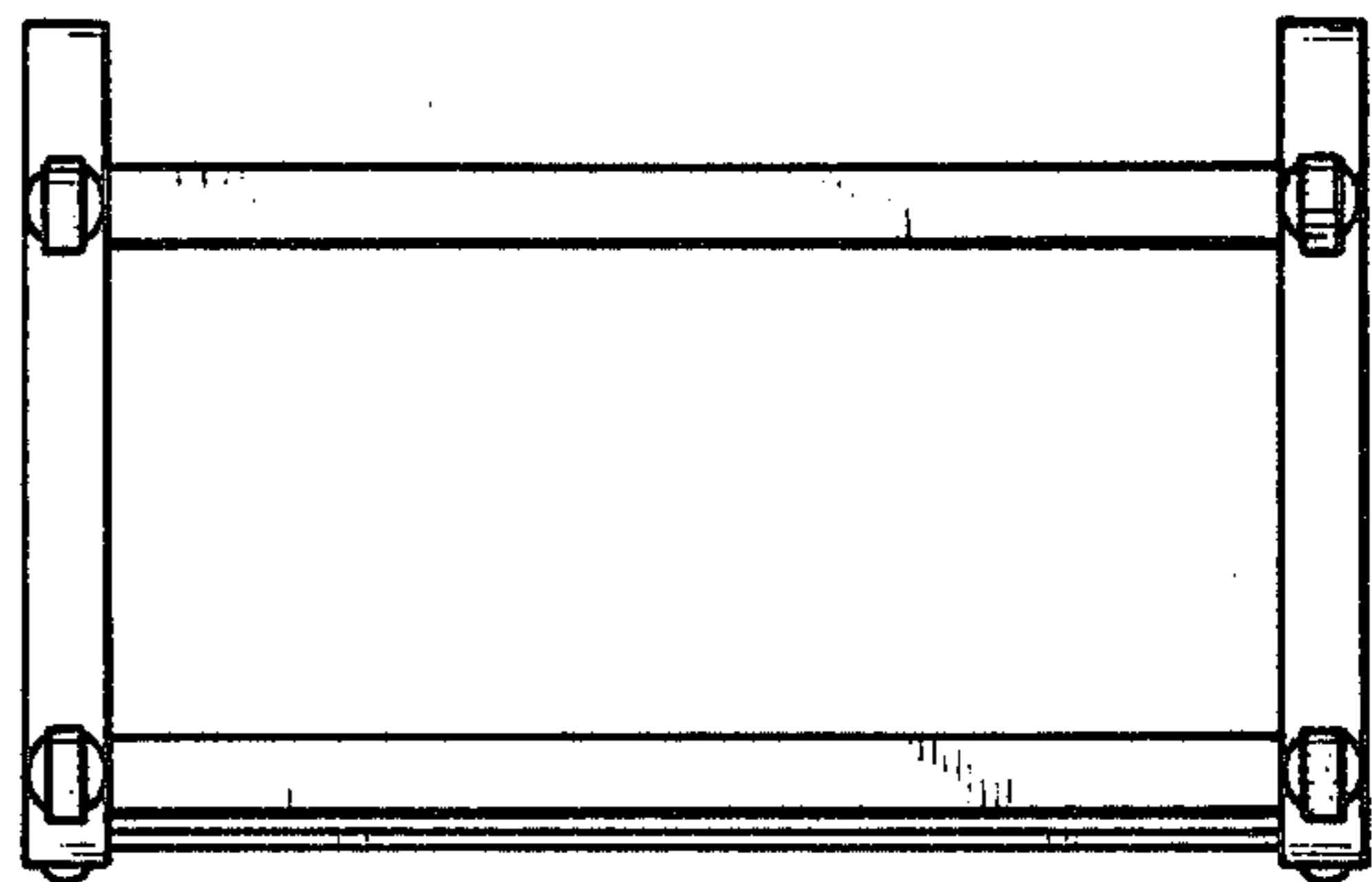


FIG - 6

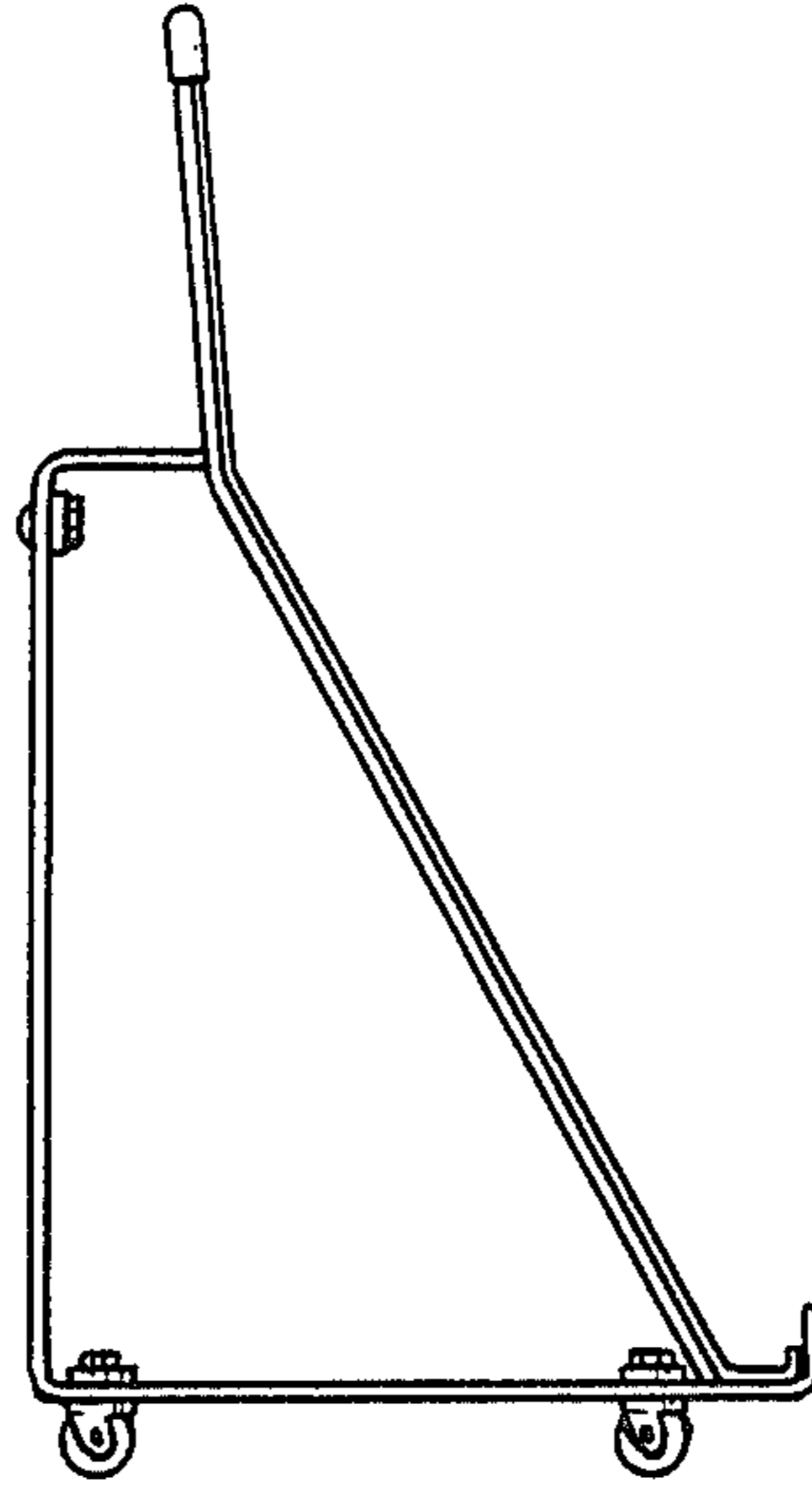


FIG -4

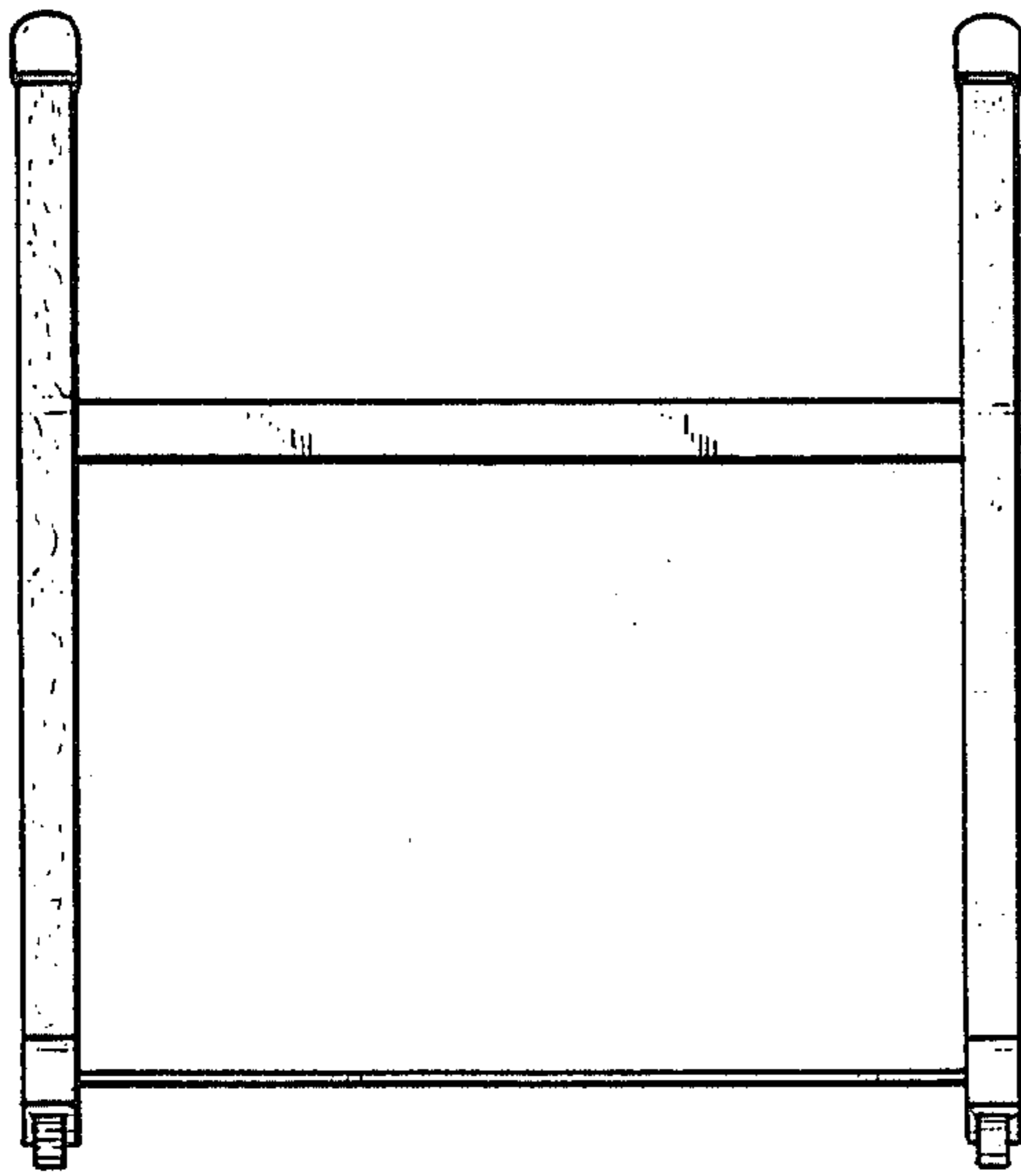


FIG -2

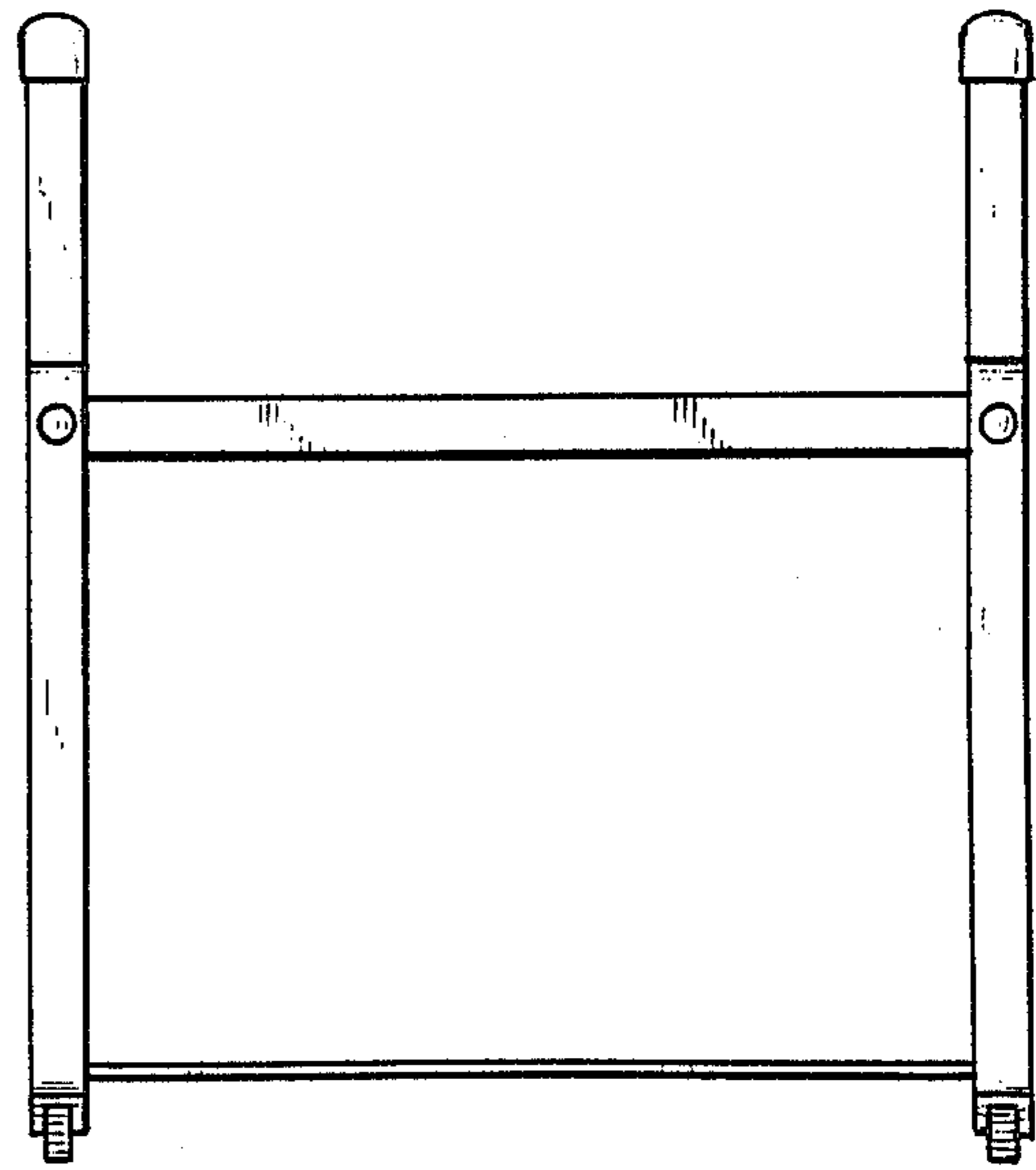


FIG -3