

United States Patent [19]

Pritikin et al.

[11] Patent Number: **Des. 300,068**

[45] Date of Patent: **** Feb. 28, 1989**

[54] **PET TRAY**

[76] Inventors: **Carol Pritikin; Gail Pritikin**, both of 15002 Del Gado Dr., Sherman Oaks, Calif. 91403

[**] Term: **14 Years**

[21] Appl. No.: **18,582**

[22] Filed: **Feb. 24, 1987**

[52] U.S. Cl. **D30/129**

[58] Field of Search **D30/102, 109, 111, 112, D30/121-133, 160; 119/51 R, 51.5, 52 R, 61**

[56] **References Cited**

U.S. PATENT DOCUMENTS

D. 177,345	4/1956	Nager	D30/160 X
D. 188,179	6/1960	Tay	D30/121
D. 202,331	9/1965	Fisher	D30/160
D. 230,033	1/1974	Goldman et al.	D30/130
D. 269,045	5/1983	Easton	D30/130
D. 294,748	3/1988	Dabelle	D30/109

2,003,958	6/1935	Salisbury	D30/160 X
2,194,736	3/1940	Bruler	D30/160 X
2,554,086	5/1951	Block	119/61 X
2,677,350	5/1954	Prestidge	119/61
4,357,905	11/1982	Carpenter	119/51.5 X

Primary Examiner—James R. Largen
Attorney, Agent, or Firm—Blakely, Sokoloff, Taylor & Zafman

[57] **CLAIM**

The ornamental design for pet tray, as shown and described.

DESCRIPTION

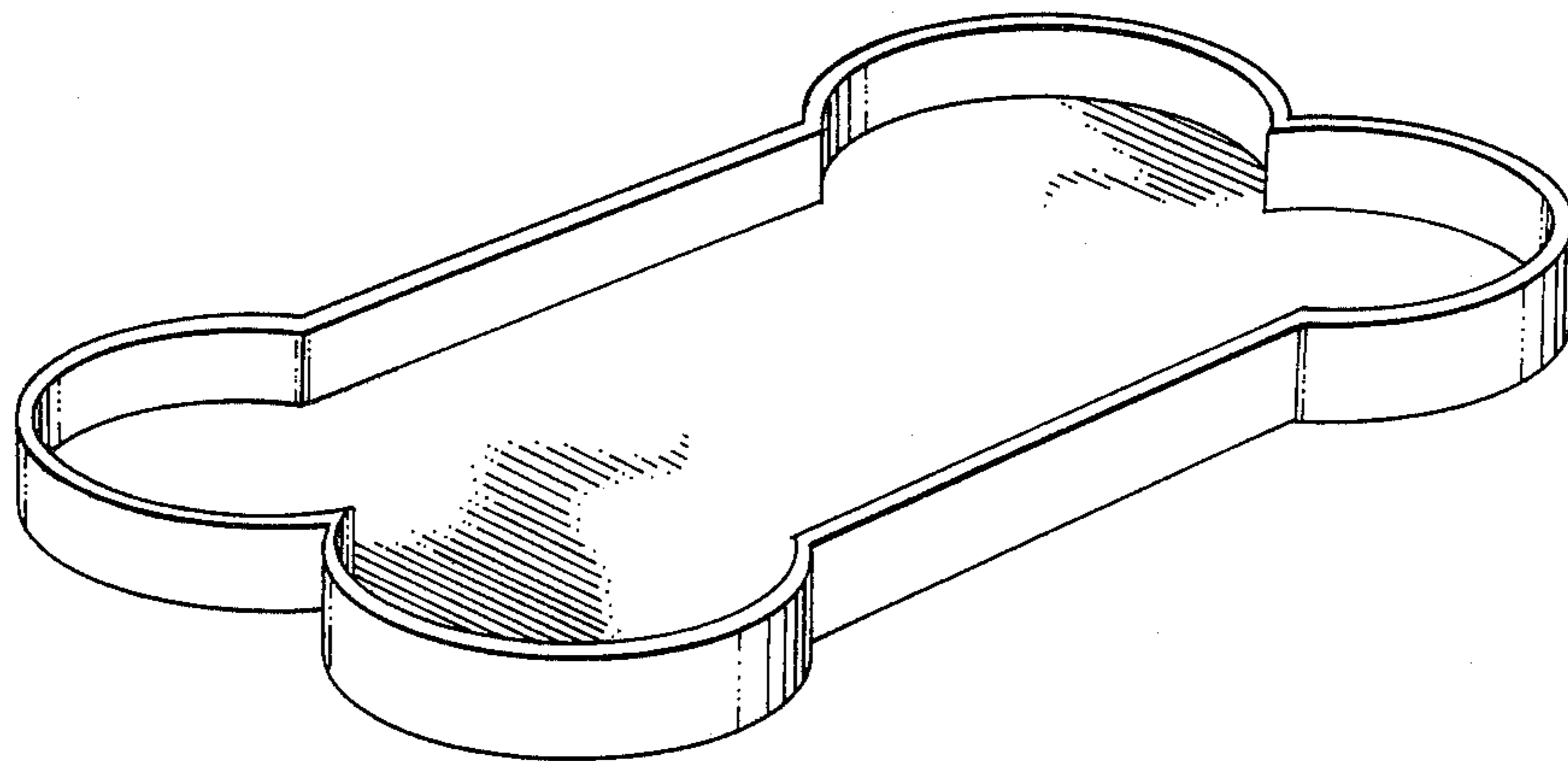
FIG. 1 is a top perspective view of a pet tray showing my new design.

FIG. 2 is a top plan view thereof.

FIG. 3 is a right side elevational view thereof, the left side being a mirror image of the right side shown.

FIG. 4 is a front elevational view thereof.

FIG. 5 is a rear elevational view thereof.



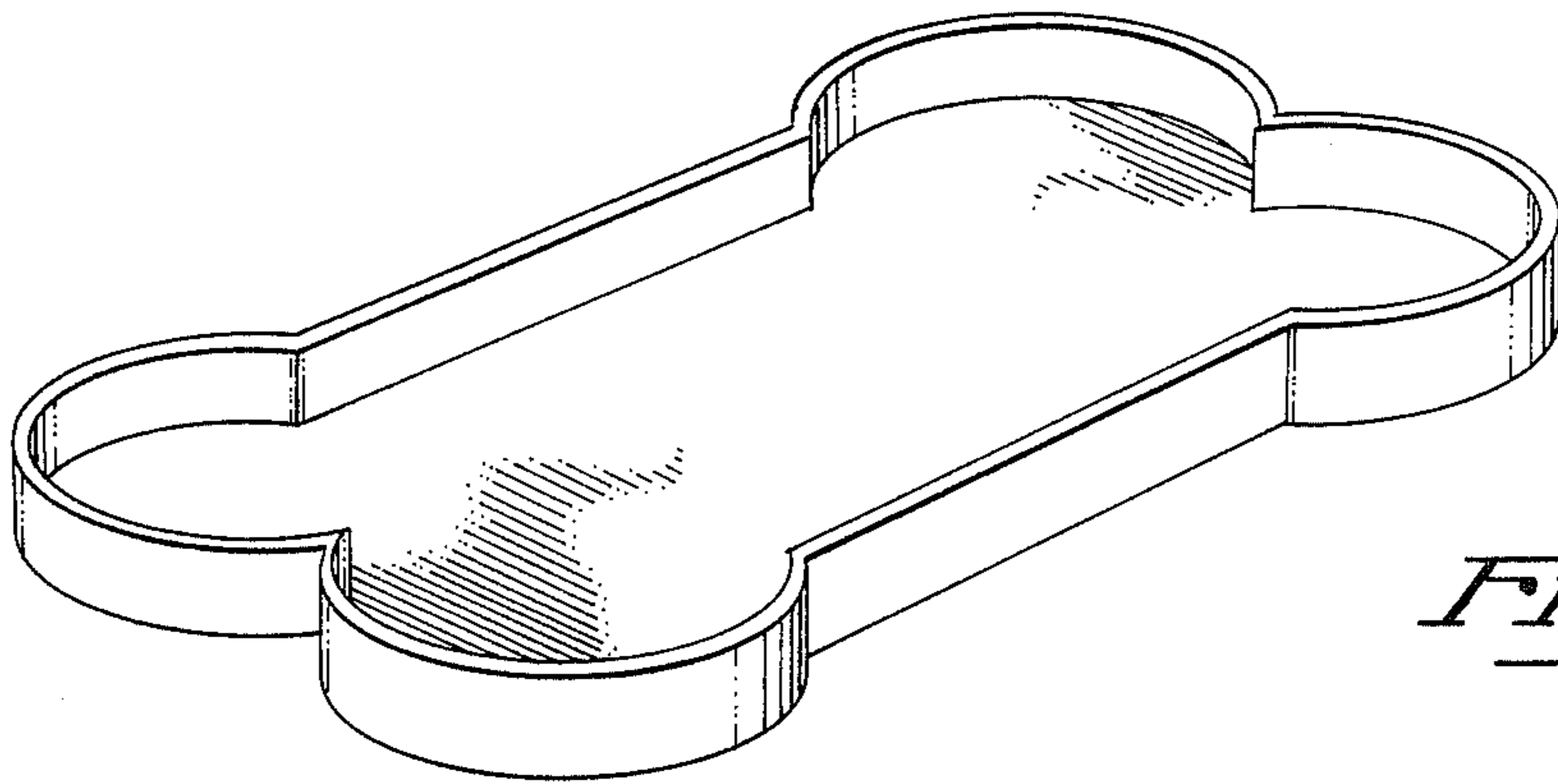


Fig. 1

Fig. 2

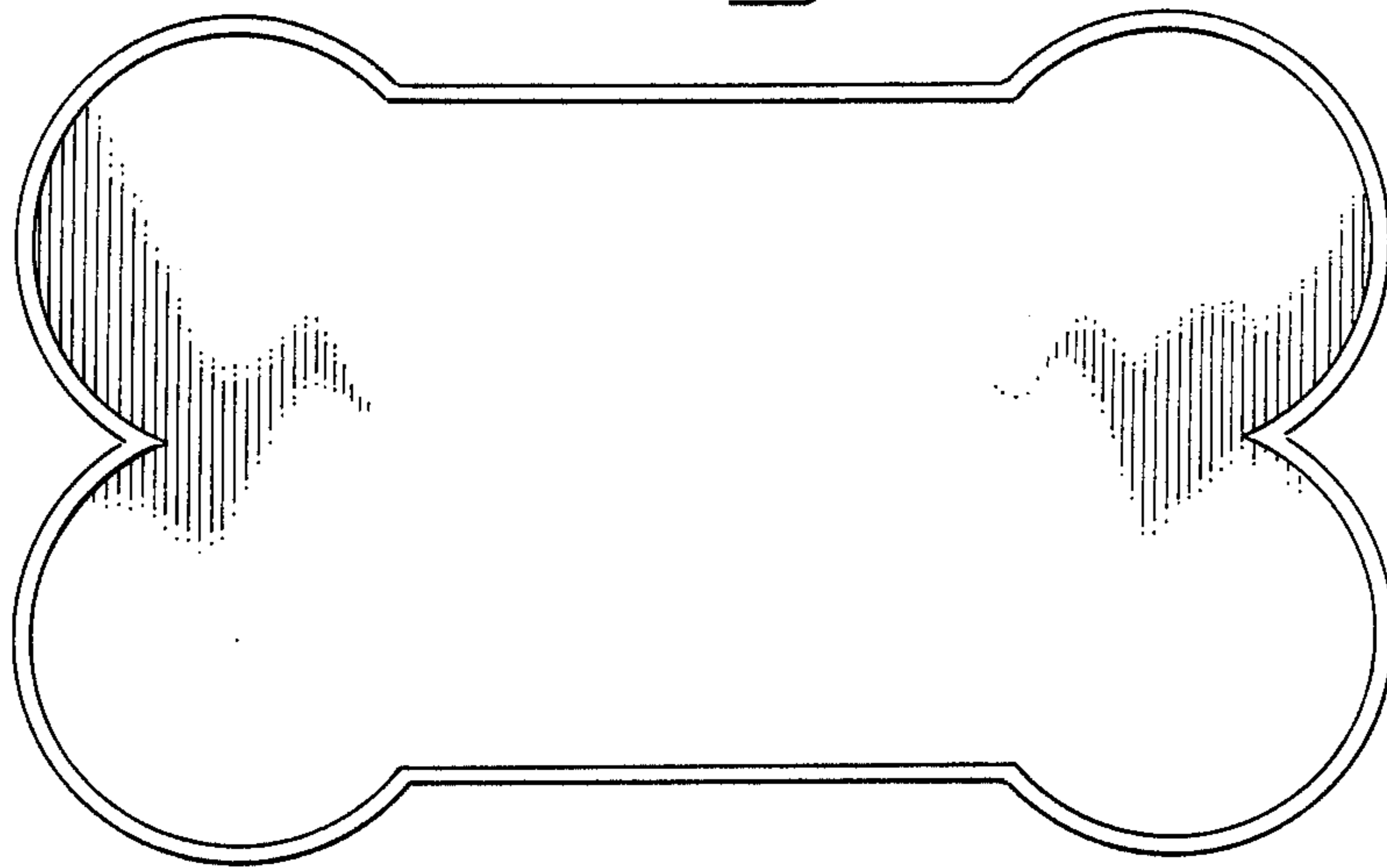


Fig. 3

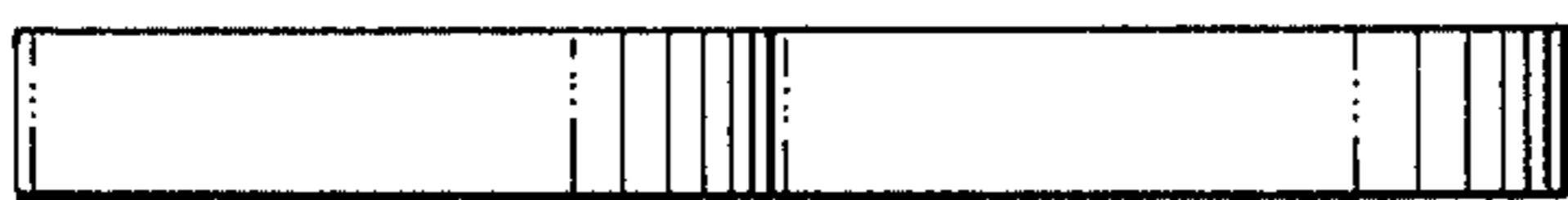


Fig. 4



Fig. 5