

[54] MANICURE BOARD

2,392,626 1/1946 Young D28/56 X
2,477,921 8/1949 Batton et al. D28/61 X

[76] Inventor: Annie L. Spradley, 8303 Odessa Oaks,
San Antonio, Tex. 78251

Primary Examiner—Louis S. Zarfes
Attorney, Agent, or Firm—Gunn, Lee & Jackson

[**] Term: 14 Years

[57] CLAIM

[21] Appl. No.: 876,362

The ornamental design for a manicure board, as shown.

[22] Filed: Jun. 19, 1986

[52] U.S. Cl. D28/61

[58] Field of Search D28/56-62,
D28/73; 132/73-76.5

DESCRIPTION

FIG. 1 is a top plan view of a manicure board showing my new design;

FIG. 2 is a inverted rear elevational view;

FIG. 3 is a front elevational view;

FIG. 4 is a left side elevational view;

FIG. 5 is a right side elevational view;

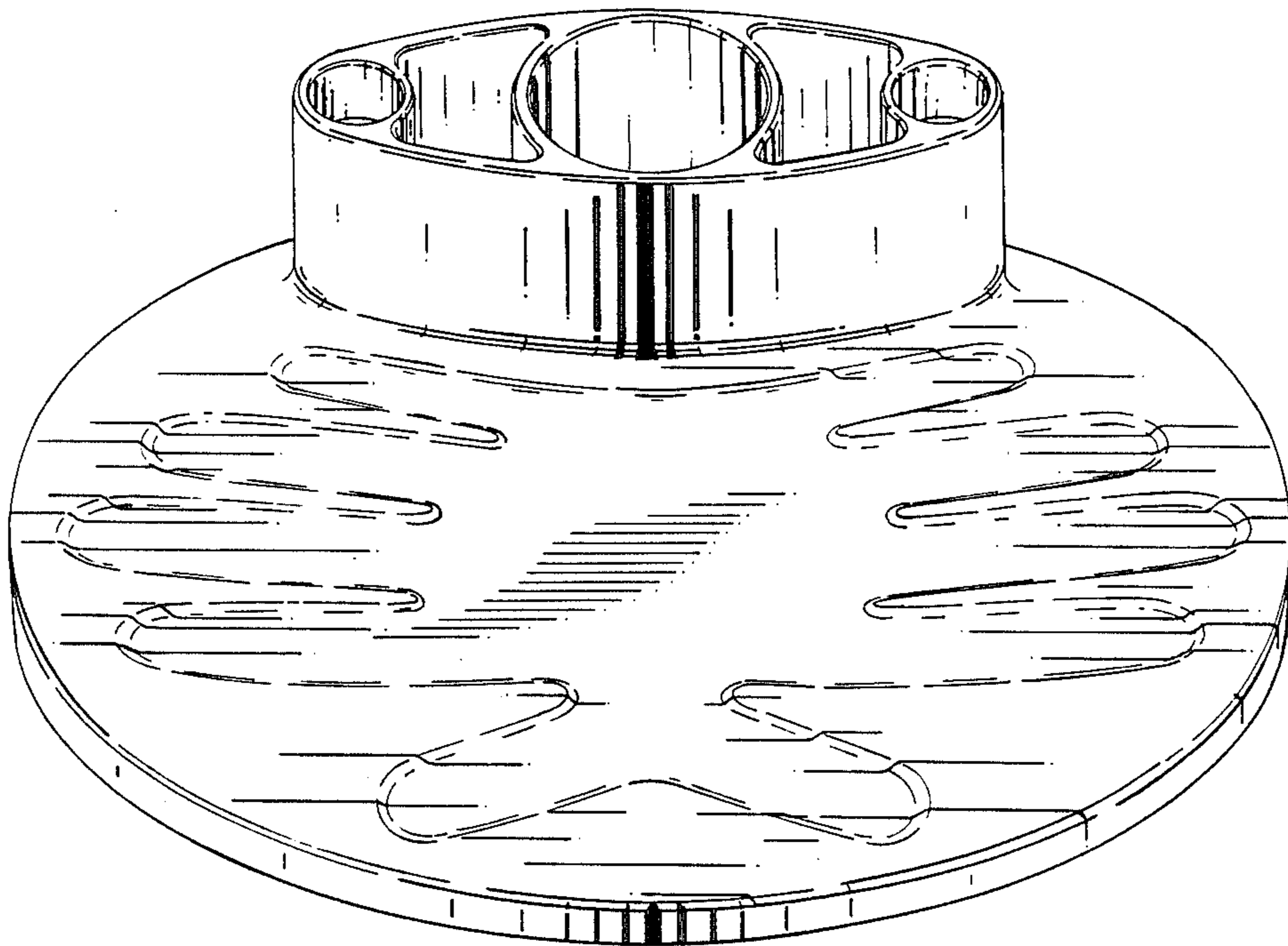
FIG. 6 is a bottom plan view; and

FIG. 7 is a perspective view.

[56] References Cited

U.S. PATENT DOCUMENTS

D. 69,338 1/1926 Weigel D28/61
D. 116,272 8/1939 McKeen D28/61 X



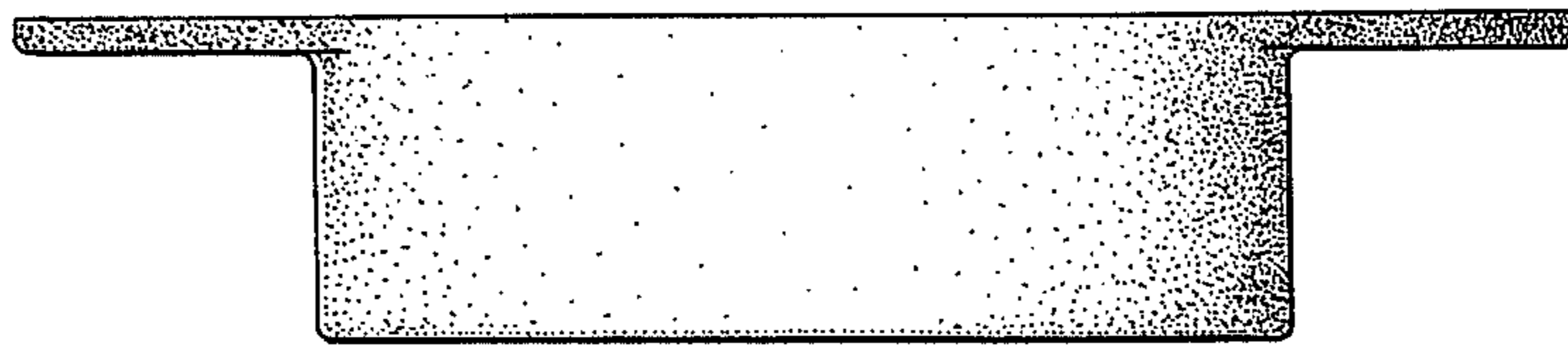


FIG. 2

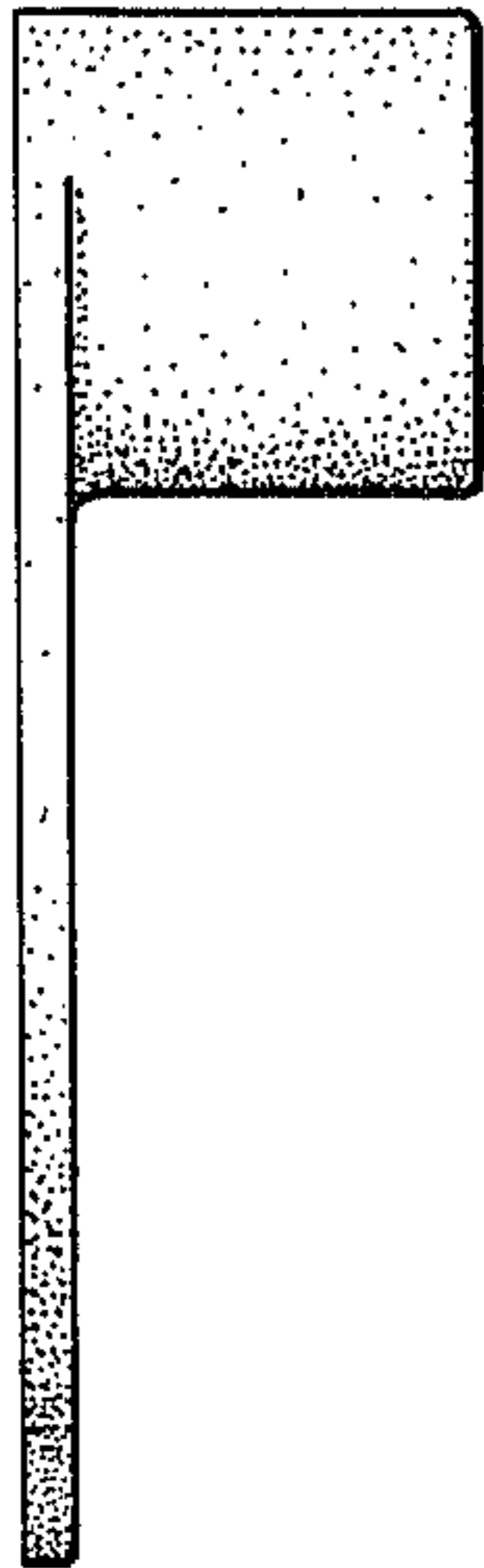


FIG. 4

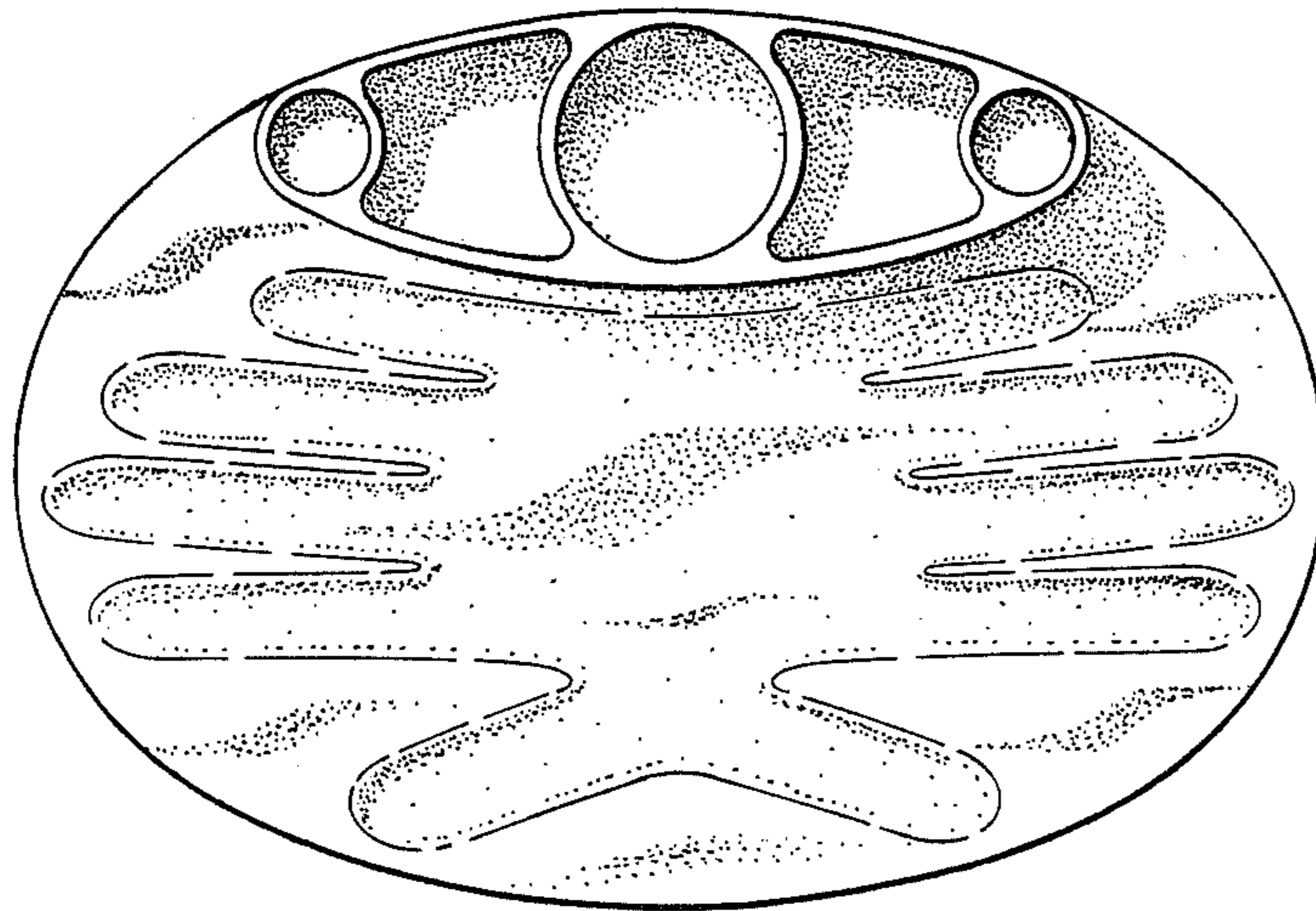


FIG. 1

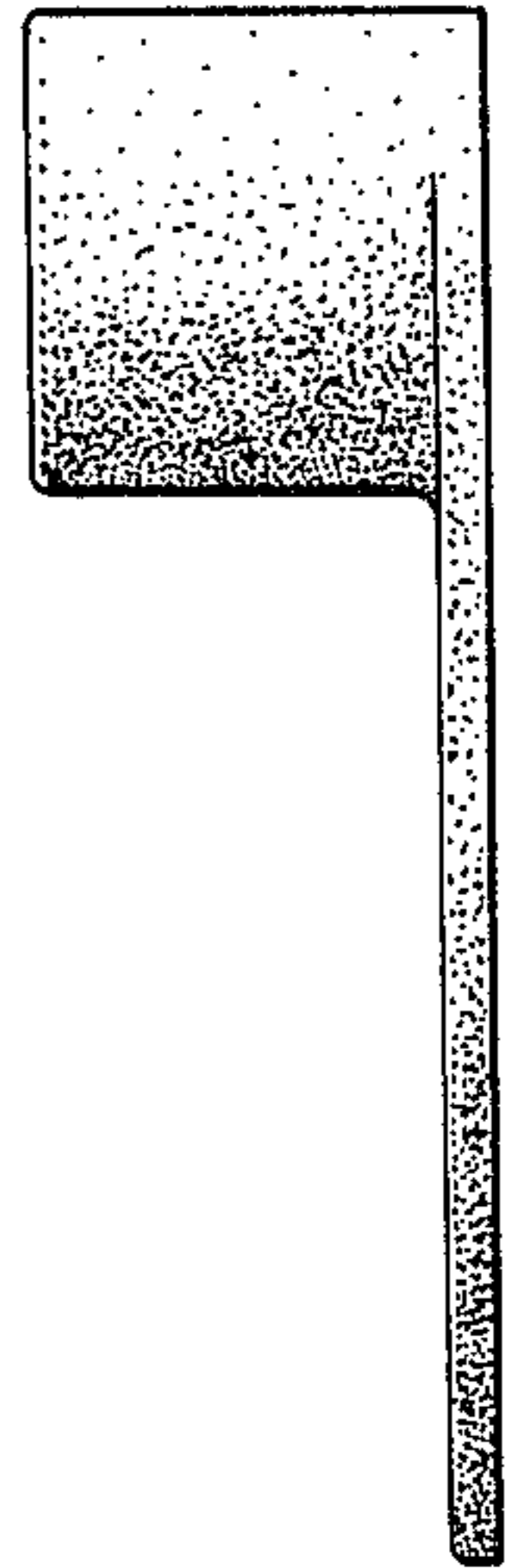


FIG. 5

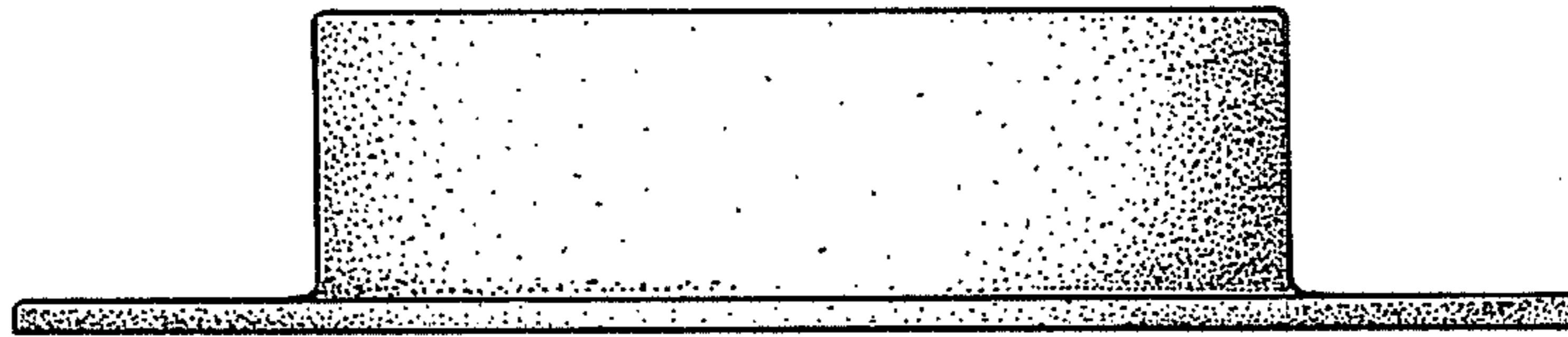


FIG. 3

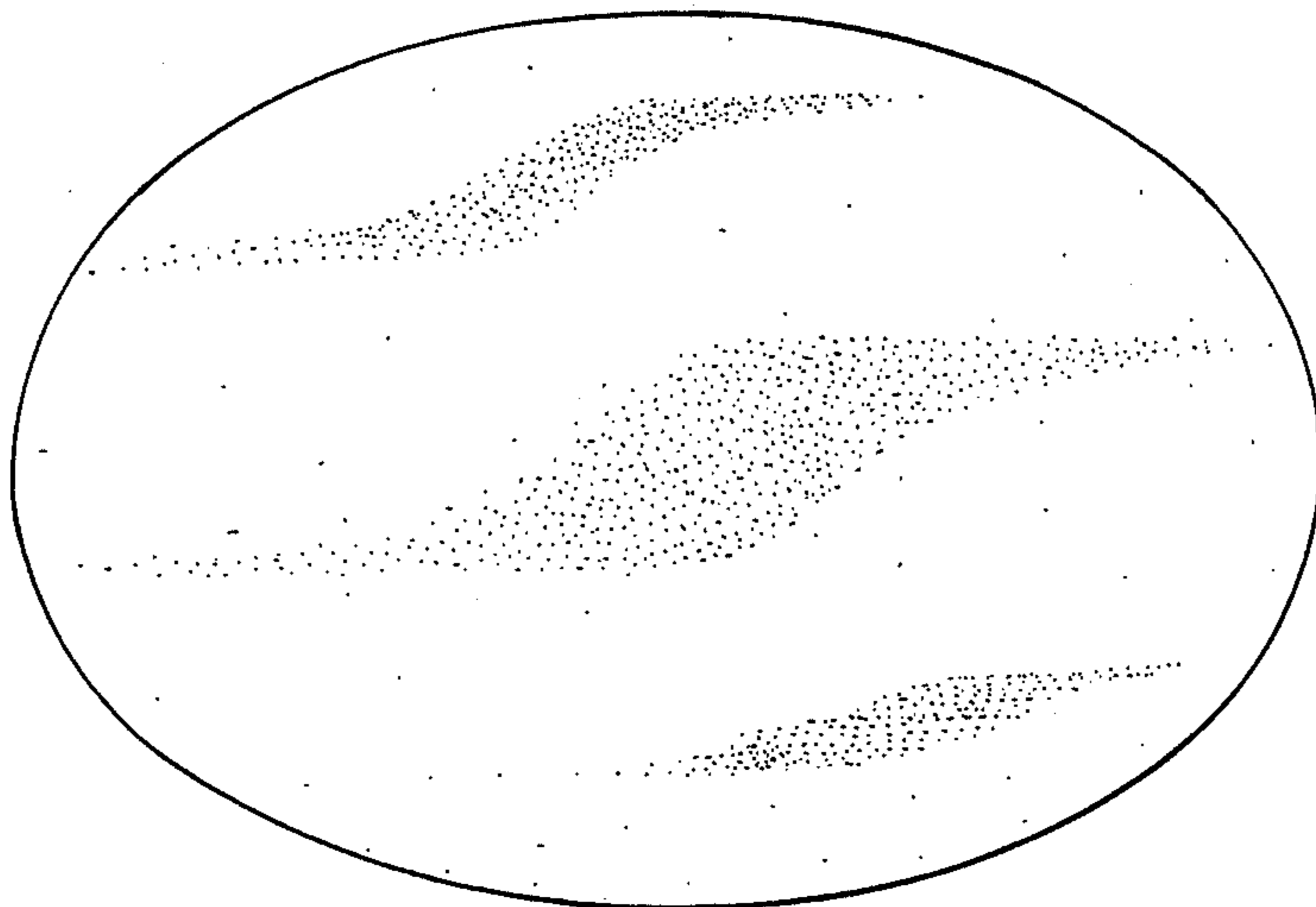


FIG. 6

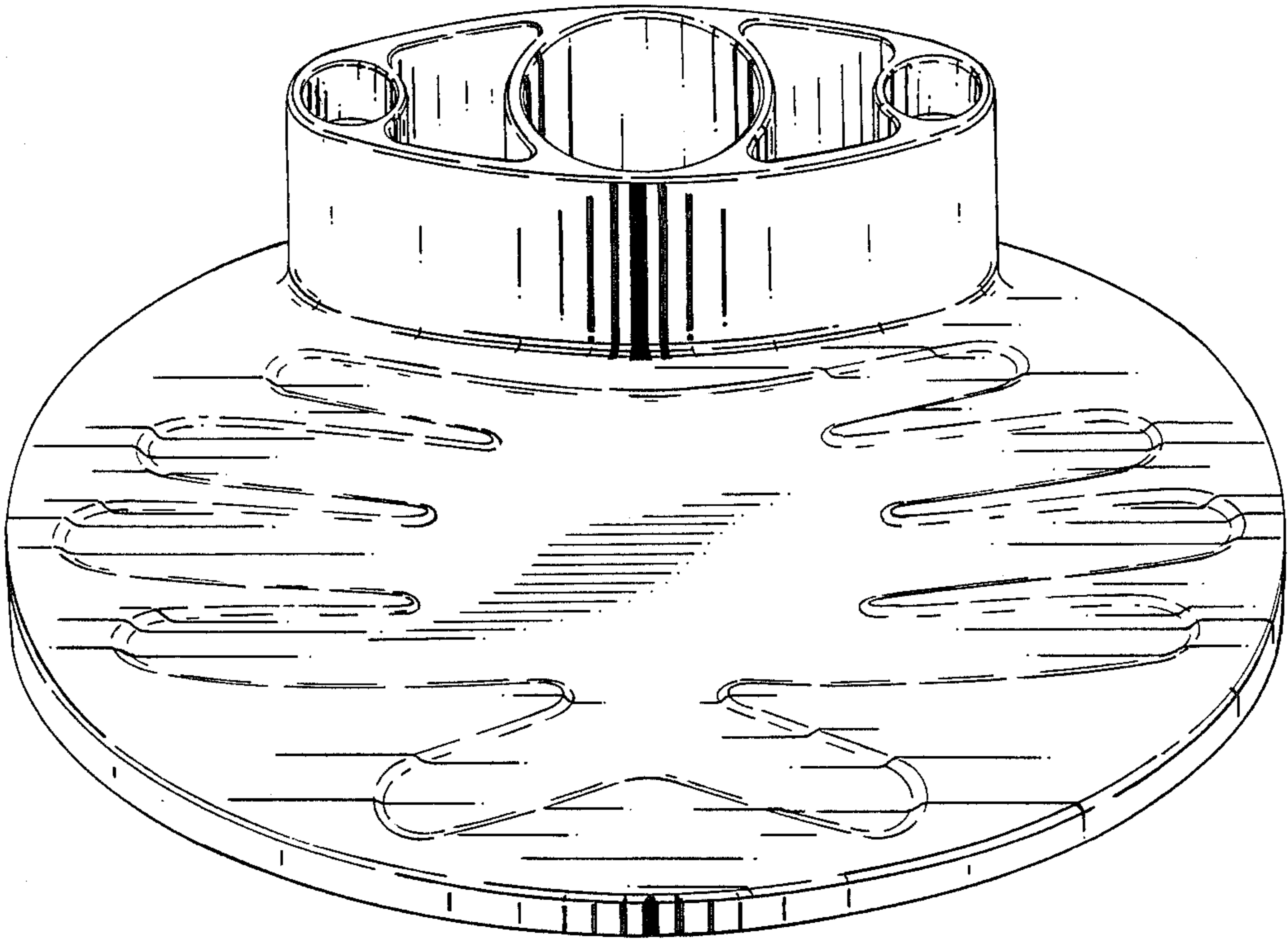


FIG. 7