

[54] CURLING IRON COVER

[75] Inventors: Thaddeus Zaborowski, Cambridge, Mass.; Ronald Emmerling, New York, N.Y.

[73] Assignee: The Schwabel Corporation, Cambridge, Mass.

[\*\*] Term: 14 Years

[21] Appl. No.: 2,634

[22] Filed: Jan. 12, 1987

[52] U.S. Cl. .... D28/35; D28/18

[58] Field of Search ..... D28/9-18, D28/35; 219/222, 225; 132/7, 9, 31 R, 32 R, 37 R, 37 A

[56] References Cited

U.S. PATENT DOCUMENTS

- D. 254,452 3/1980 Rakocy et al. .... D28/35
- D. 261,319 10/1981 Oberheim et al. .... D28/18 X
- D. 269,299 6/1983 Oberheim ..... D28/35

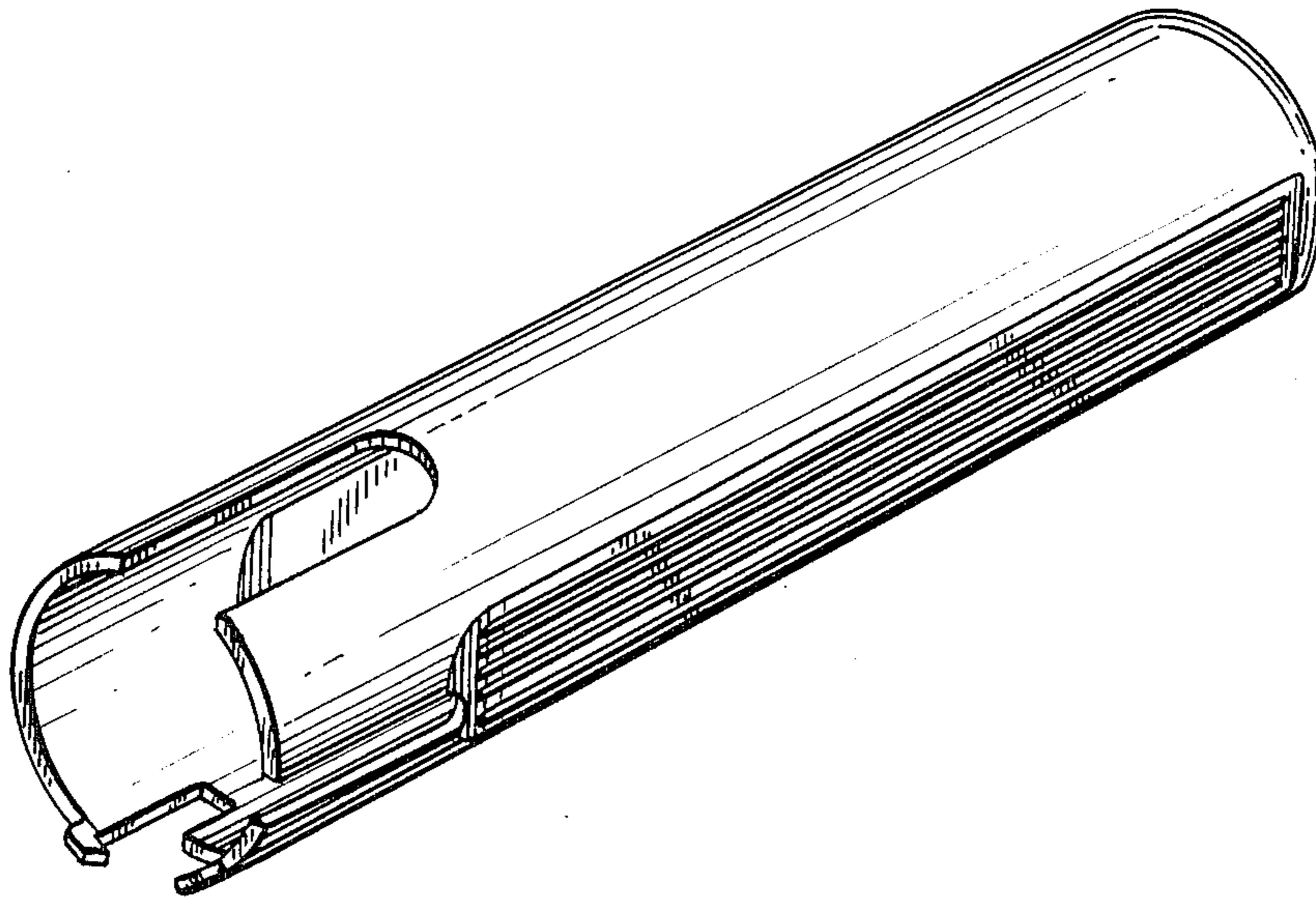
Primary Examiner—Louis S. Zarfes  
Attorney, Agent, or Firm—Peter L. Berger

[57] CLAIM

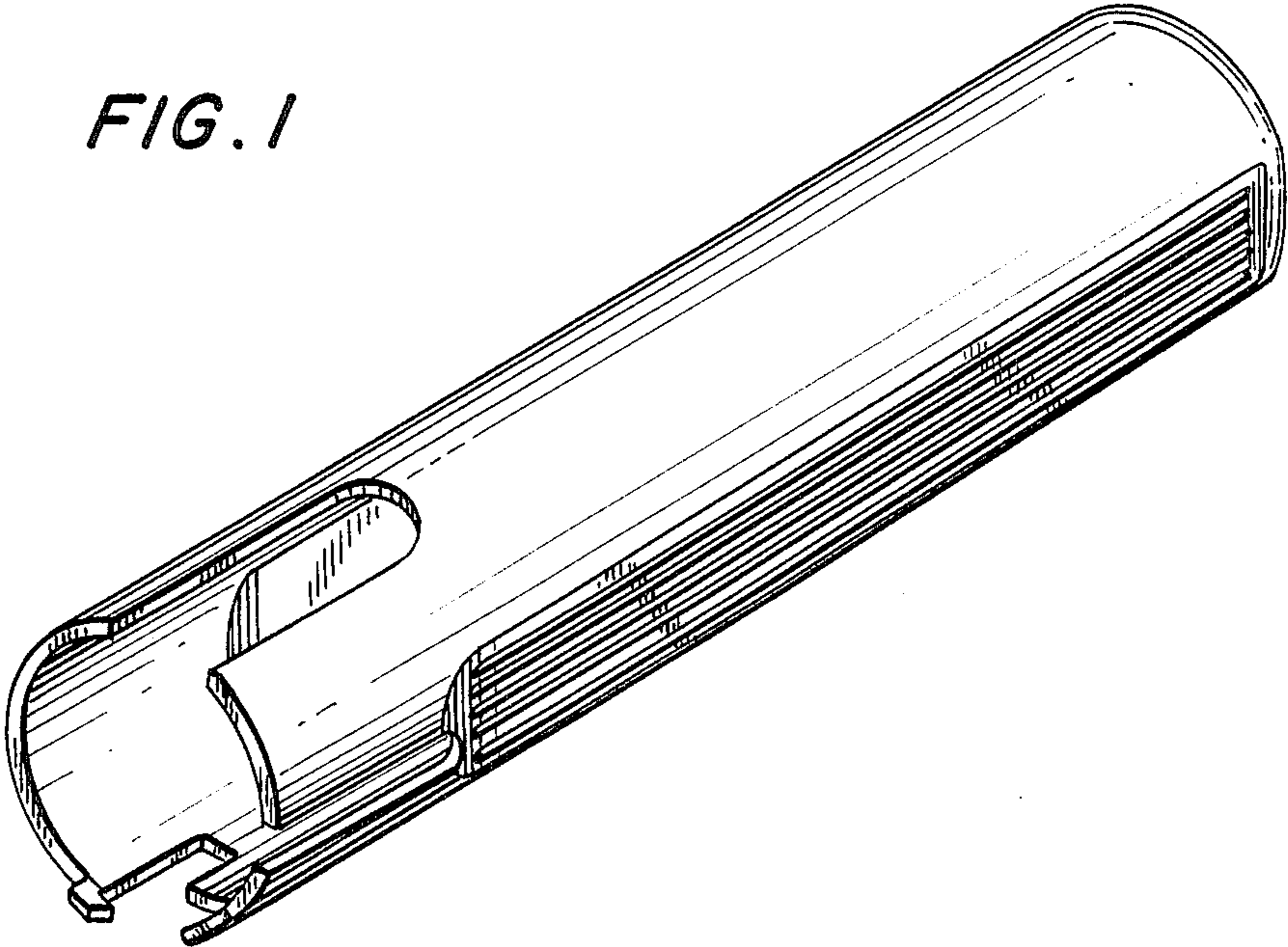
The ornamental design for a curling iron cover, as shown.

DESCRIPTION

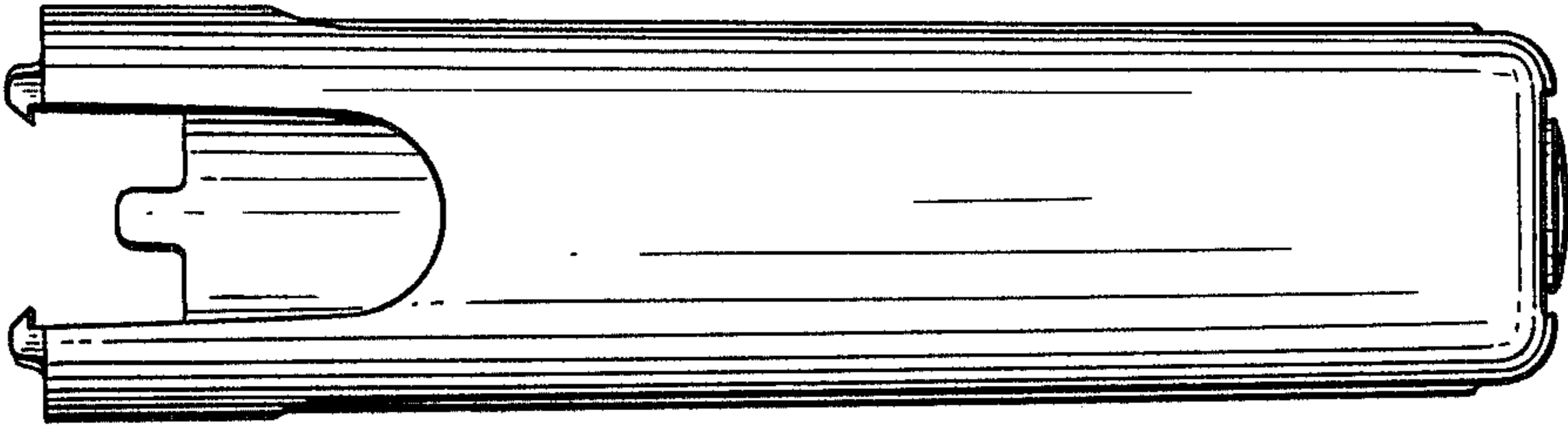
FIG. 1 is a perspective view of a curling iron cover showing our new design;  
FIG. 2 is a top plan view;  
FIG. 3 is a front elevational view;  
FIG. 4 is a left side elevational view;  
FIG. 5 is a rear elevational view; and,  
FIG. 6 is a bottom plan view.



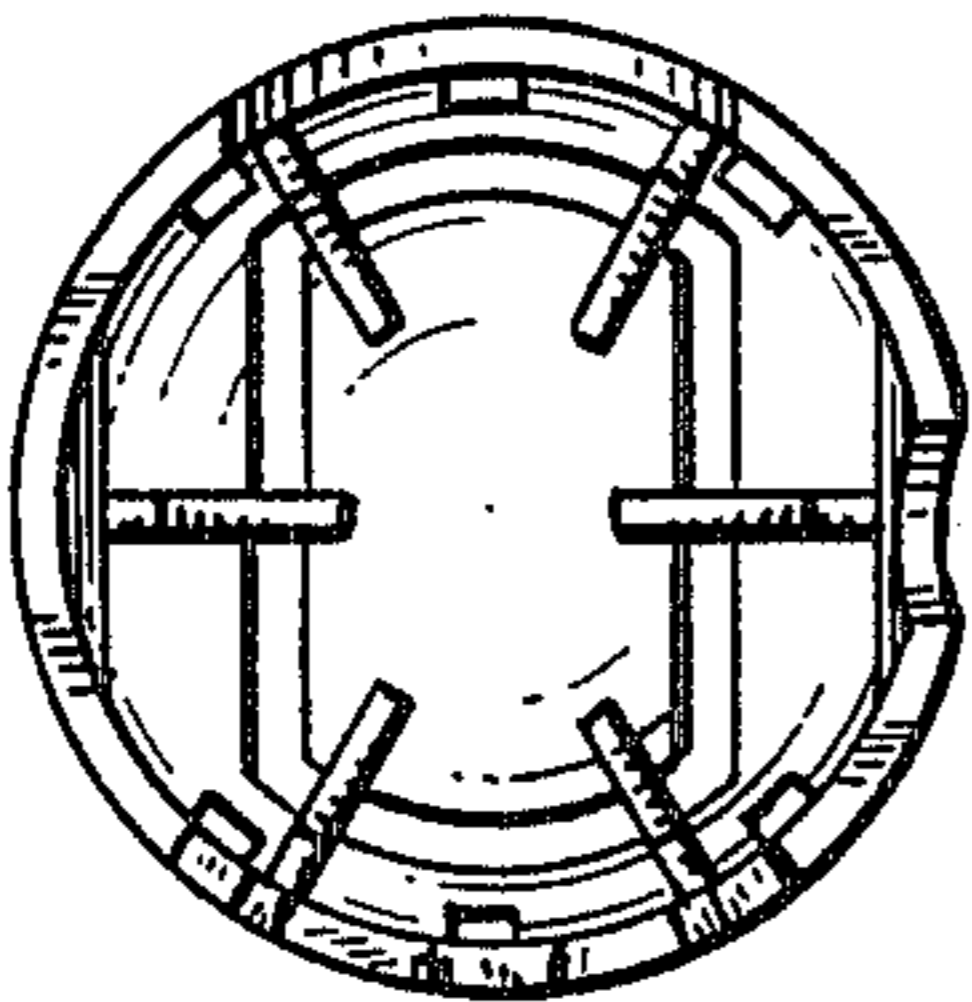
*FIG. 1*



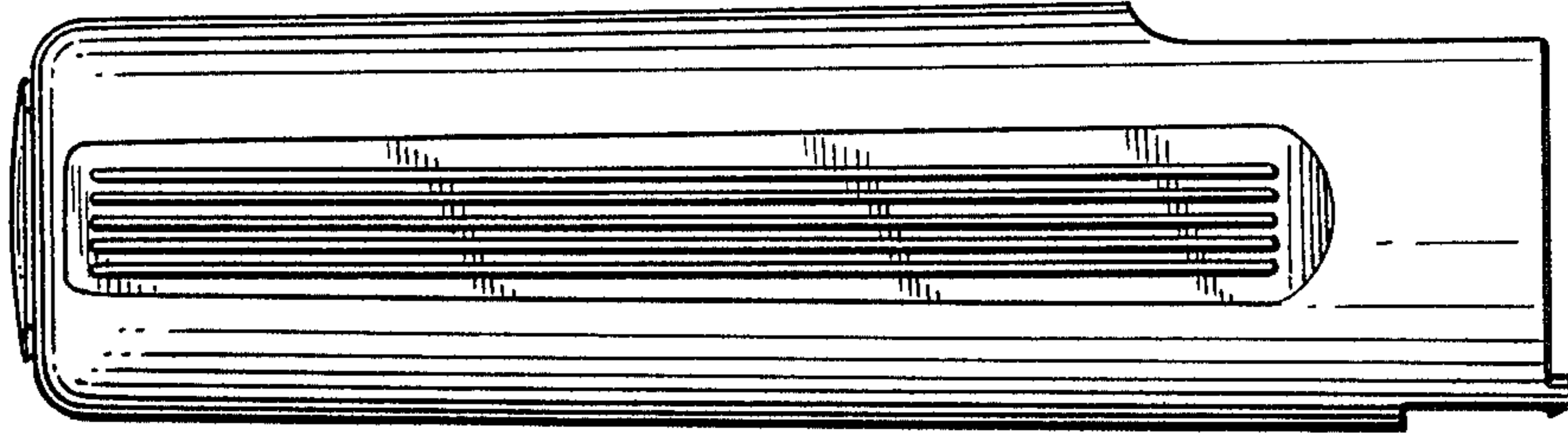
*FIG. 2*



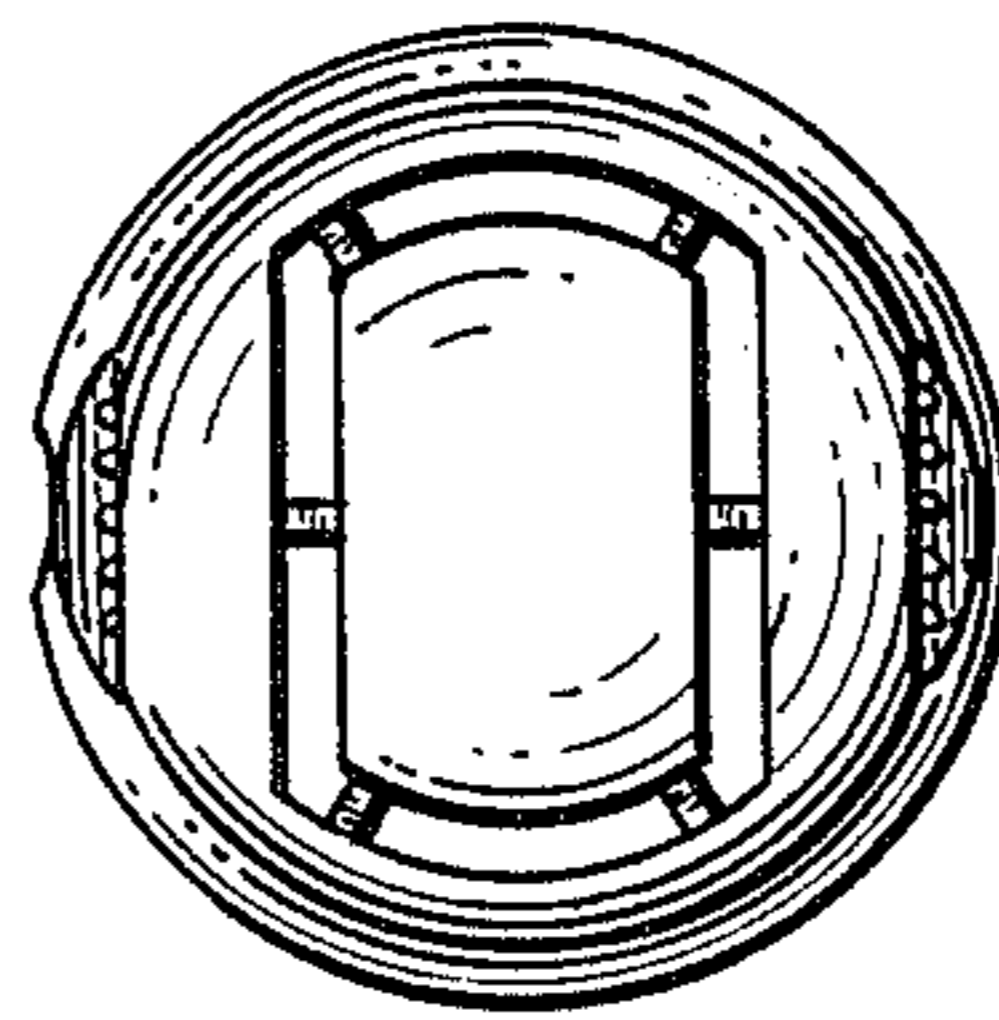
*FIG. 3*



*FIG. 4*



*FIG. 5*



*FIG. 6*

