

[54] **STRUCTURAL GUIDE COLUMN**

[75] **Inventor: Ronald Sheltra, Alhambra, Calif.**

[73] **Assignee: Marcy Fitness Products, Ontario, Calif.**

[**] **Term: 14 Years**

[21] **Appl. No.: 825,553**

[22] **Filed: Feb. 3, 1986**

[52] **U.S. Cl. D25/120; D25/121;
D25/122; D25/124**

[58] **Field of Search D25/119, 120, 121, 122,
D25/124, 125, 126, 128; 52/719, 729, 730, 731,
732**

[56] **References Cited**

U.S. PATENT DOCUMENTS

2,079,635 5/1937 Sharp D25/12 D X

OTHER PUBLICATIONS

Designing with Aluminum Extrusions by Reynolds Metal Co., ©1957, p. 7, FIG. 10.

Primary Examiner—A. Hugo Word

Attorney, Agent, or Firm—James E. Brunton

[57] **CLAIM**

The ornamental design for a structural guide column, as shown.

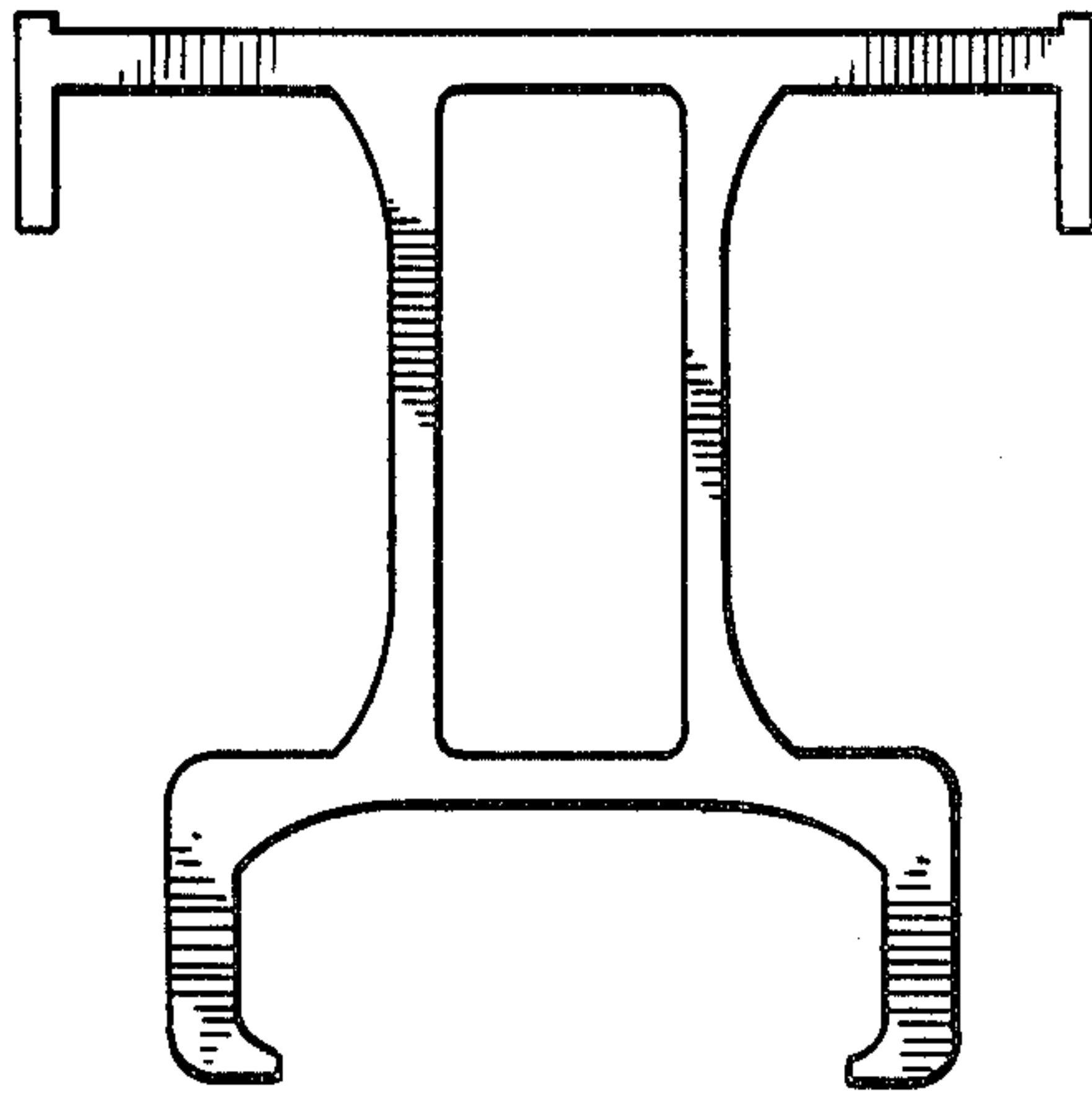
DESCRIPTION

FIG. 1 is a plan view of a structural guide column showing my new design.

FIG. 2 is a foreshortened front view thereof;

FIG. 3 is a foreshortened side view of the structural guide column; and

FIG. 4 is a foreshortened rear view thereof.



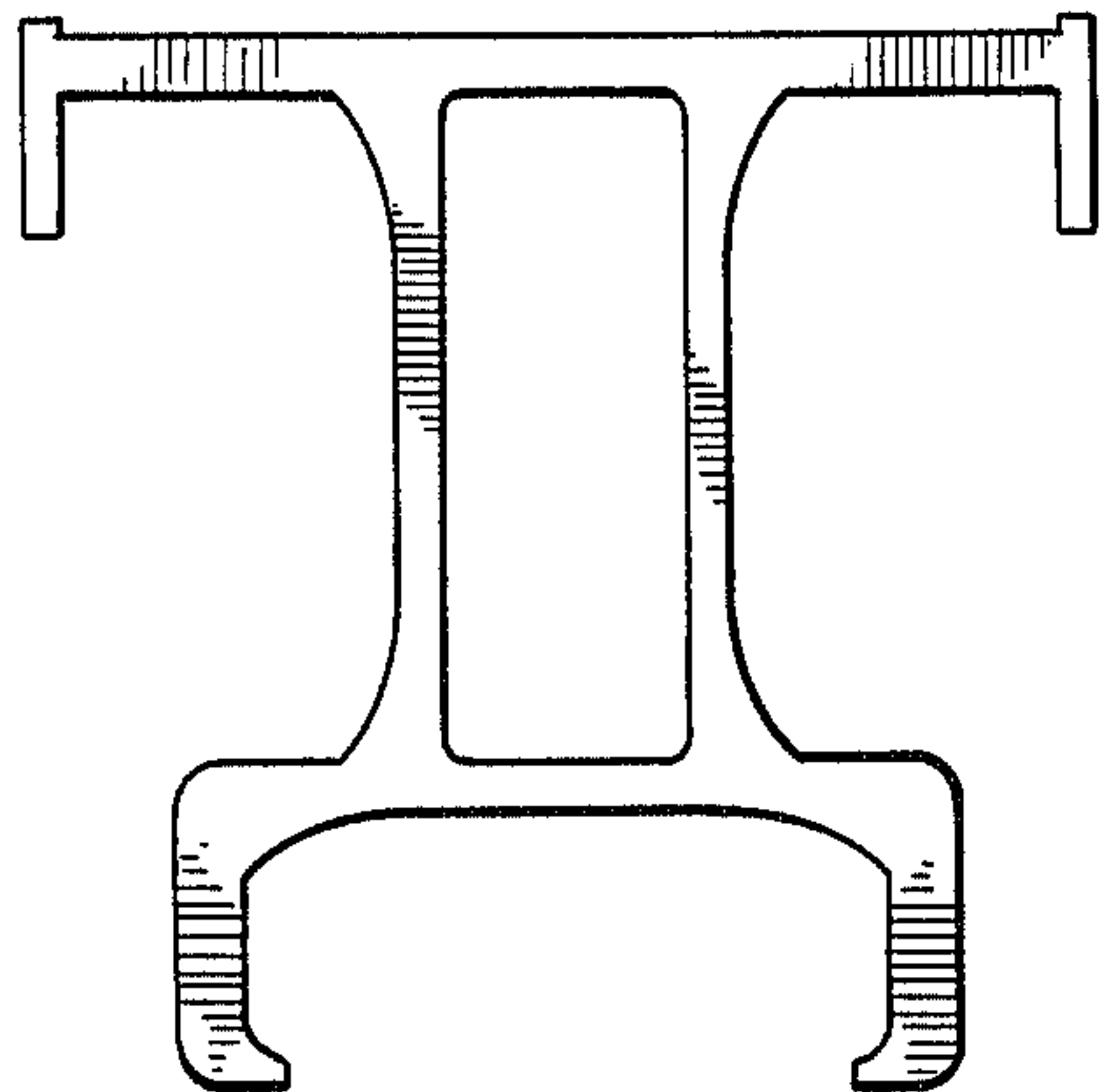


FIG. 1

FIG. 3

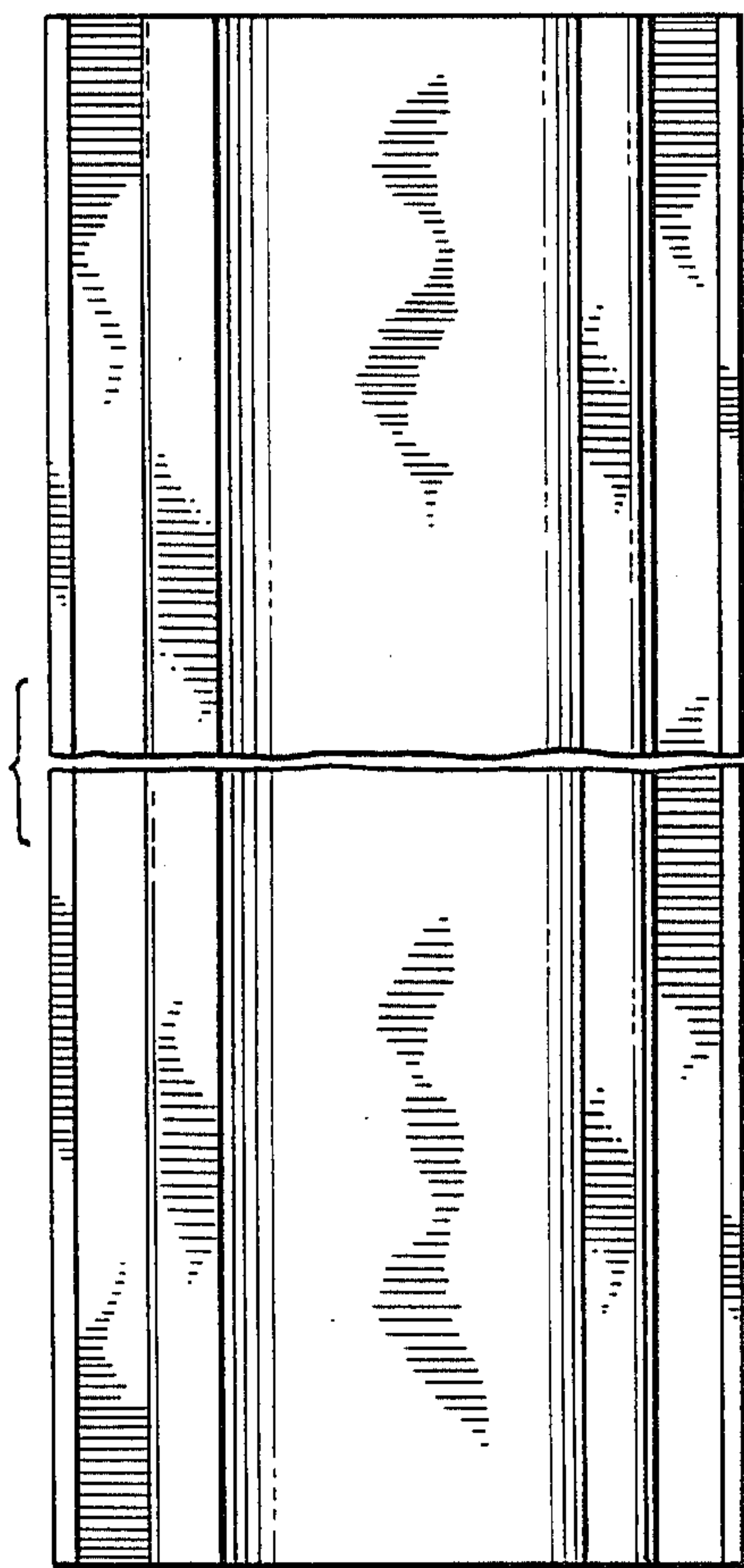
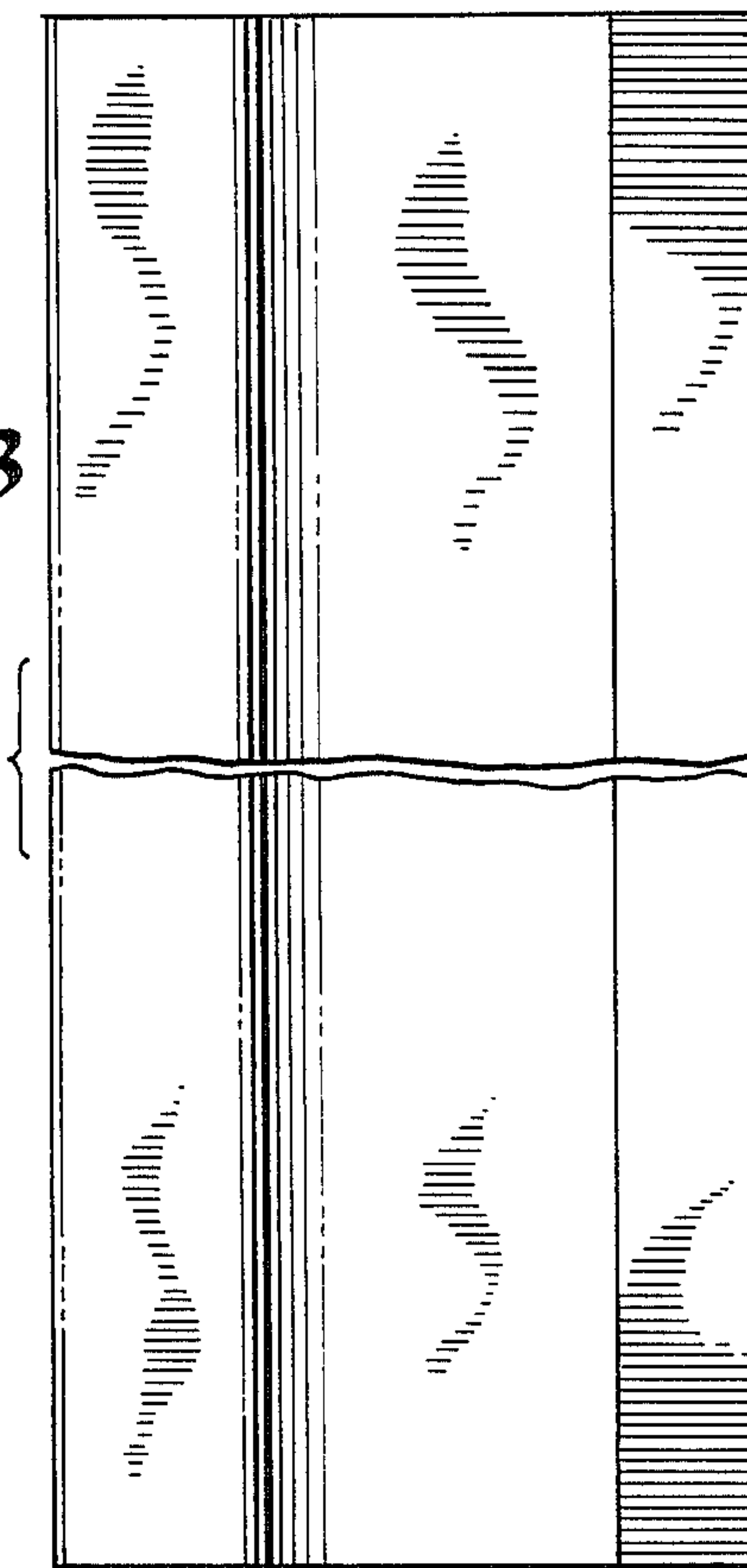


FIG. 2

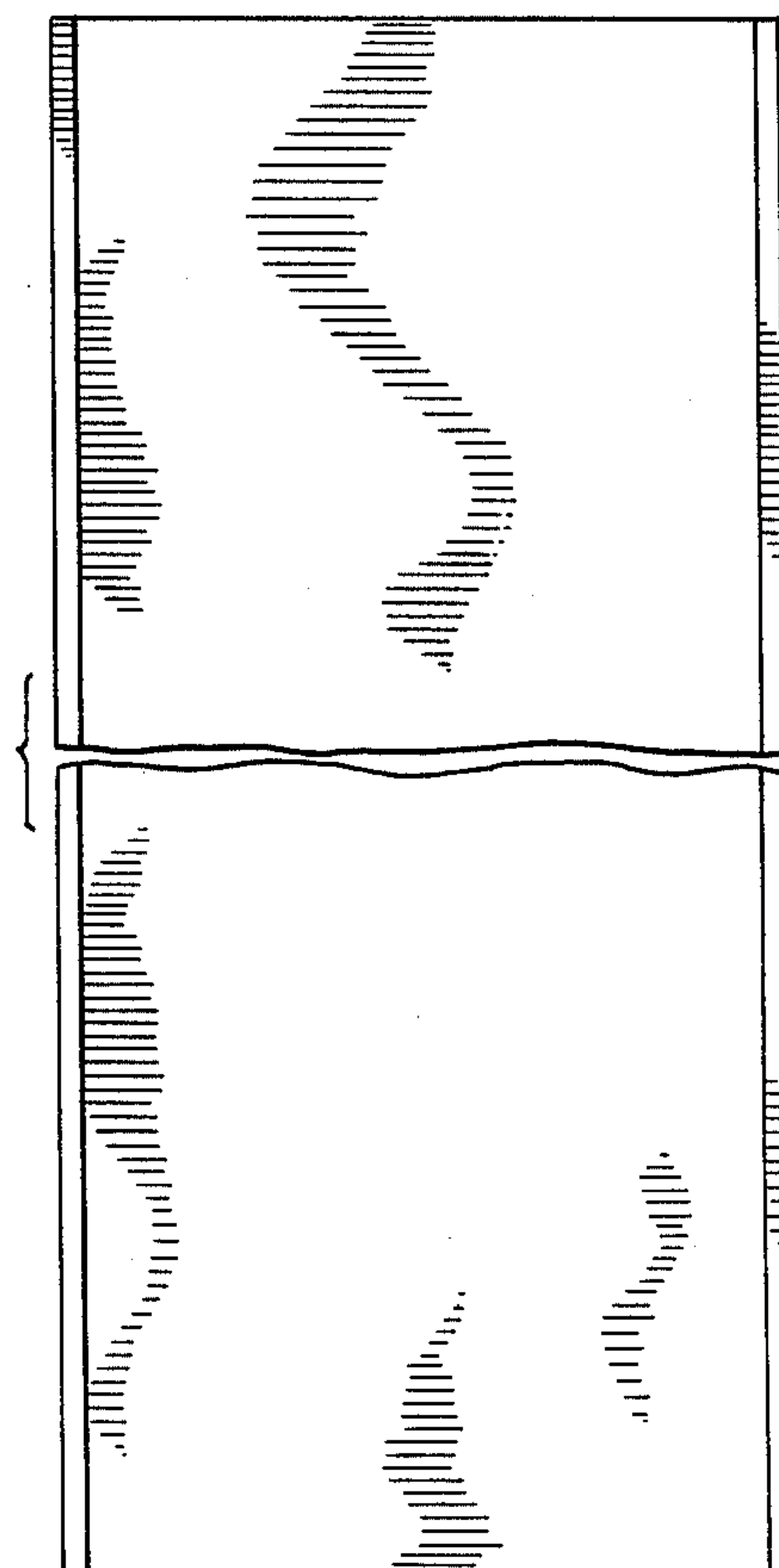


FIG. 4