

United States Patent [19]

Doi et al.

[11] Patent Number: Des. 300,055

[45] Date of Patent: ** Feb. 28, 1989

[54] FISHING REEL

[75] Inventors: Tetsuyuki Doi, Hiroshima; Etsuo Hiraishi, Tokyo, both of Japan

[73] Assignee: Ryobi Ltd., Hiroshima, Japan

[**] Term: 14 Years

[21] Appl. No.: 906,128

[22] Filed: Sep. 11, 1986

[30] Foreign Application Priority Data

Mar. 21, 1986 [JP] Japan 61-10427

[52] U.S. Cl. D22/141

[58] Field of Search D22/141; 242/84.1 R, 242/84.2 R, 84.2 J

[56] References Cited

U.S. PATENT DOCUMENTS

D. 270,933 11/1983 Iinuma et al. D22/141

D. 291,472 8/1987 Kameda D22/141

Primary Examiner—A. Hugo Word
Attorney, Agent, or Firm—Sughrue, Mion, Zinn,
Macpeak & Seas

[57] CLAIM

The ornamental design for a fishing reel, as shown.

DESCRIPTION

FIG. 1 is a perspective view showing the front, top and one side of a fishing reel showing our new design;

FIG. 2 is a perspective view of rear, top and opposite side thereof;

FIG. 3 is a side elevation view of said one side thereof;

FIG. 4 is a side elevation view of said opposite side thereof;

FIG. 5 is a front view thereof;

FIG. 6 is a rear view thereof;

FIG. 7 is a top plan view thereof; and

FIG. 8 is a bottom plan view thereof.

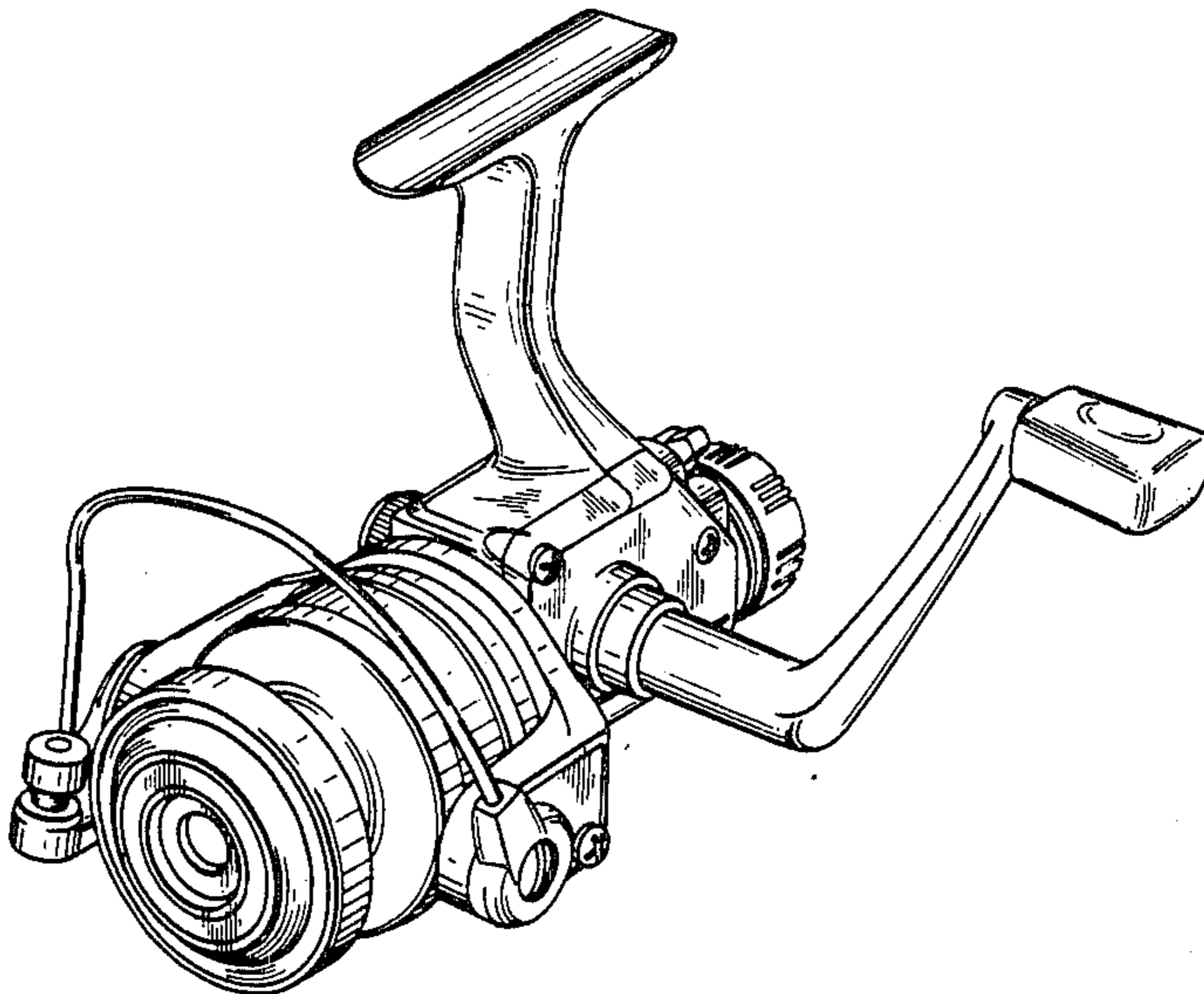


FIG. 1

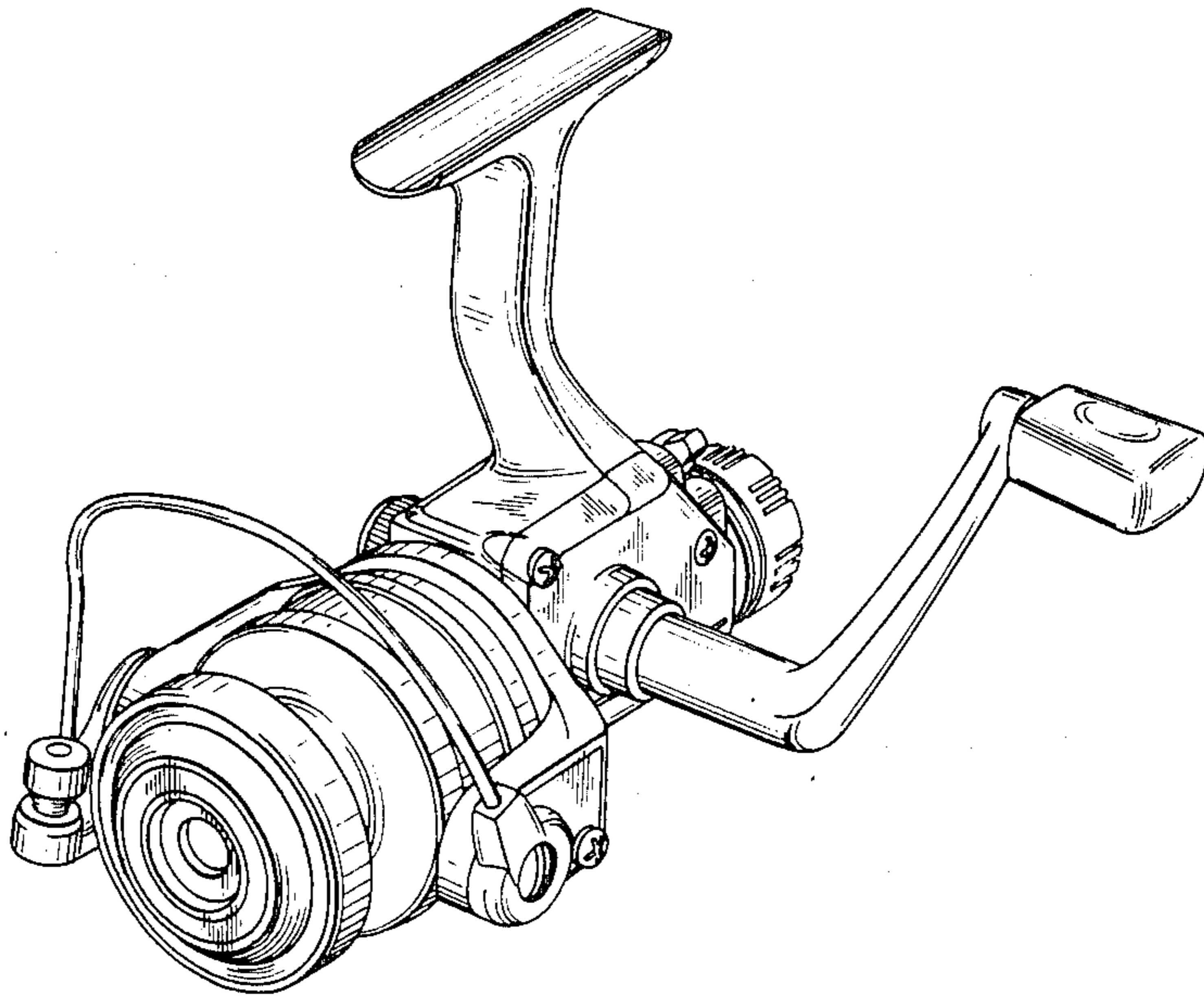


FIG. 2

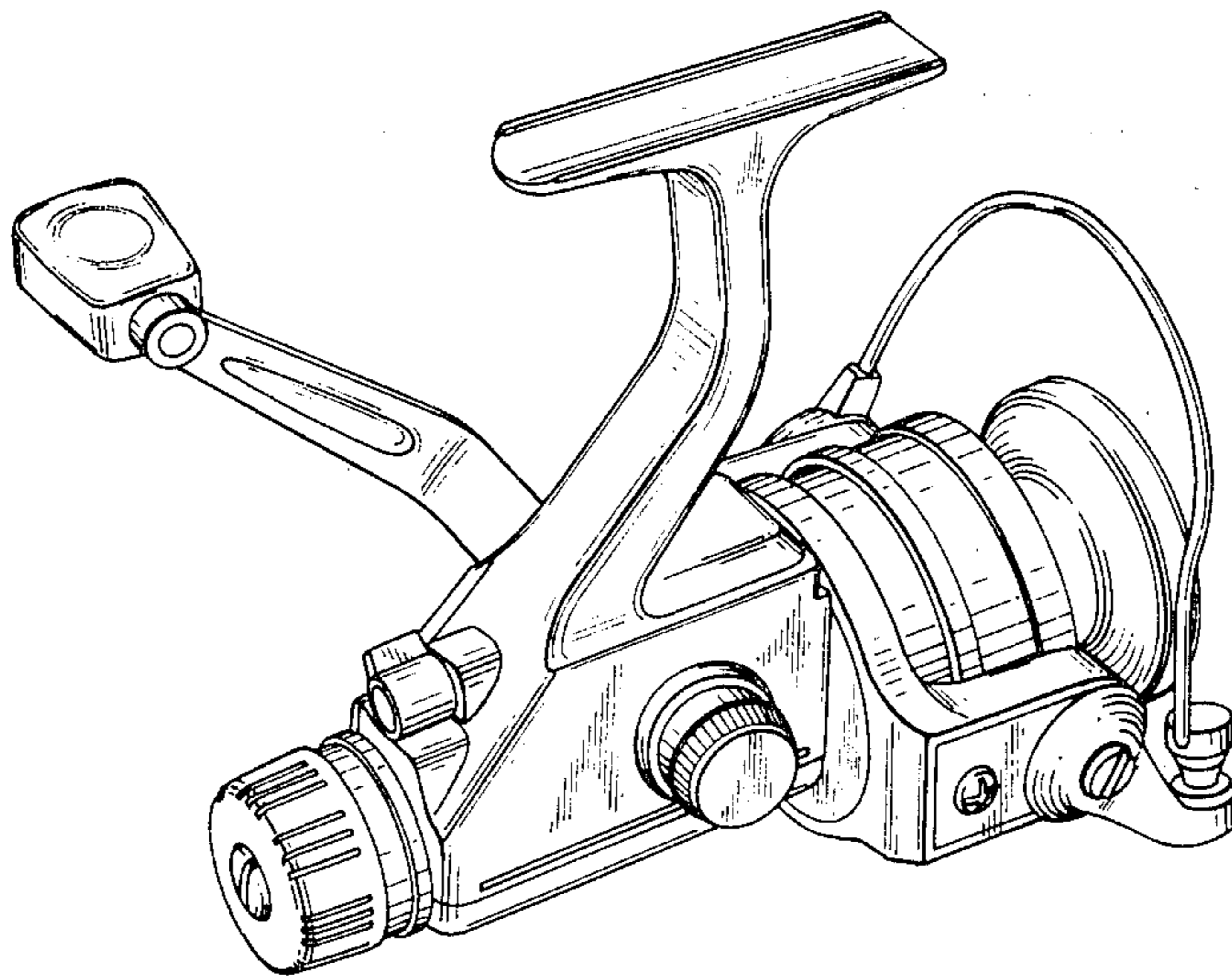


FIG. 3

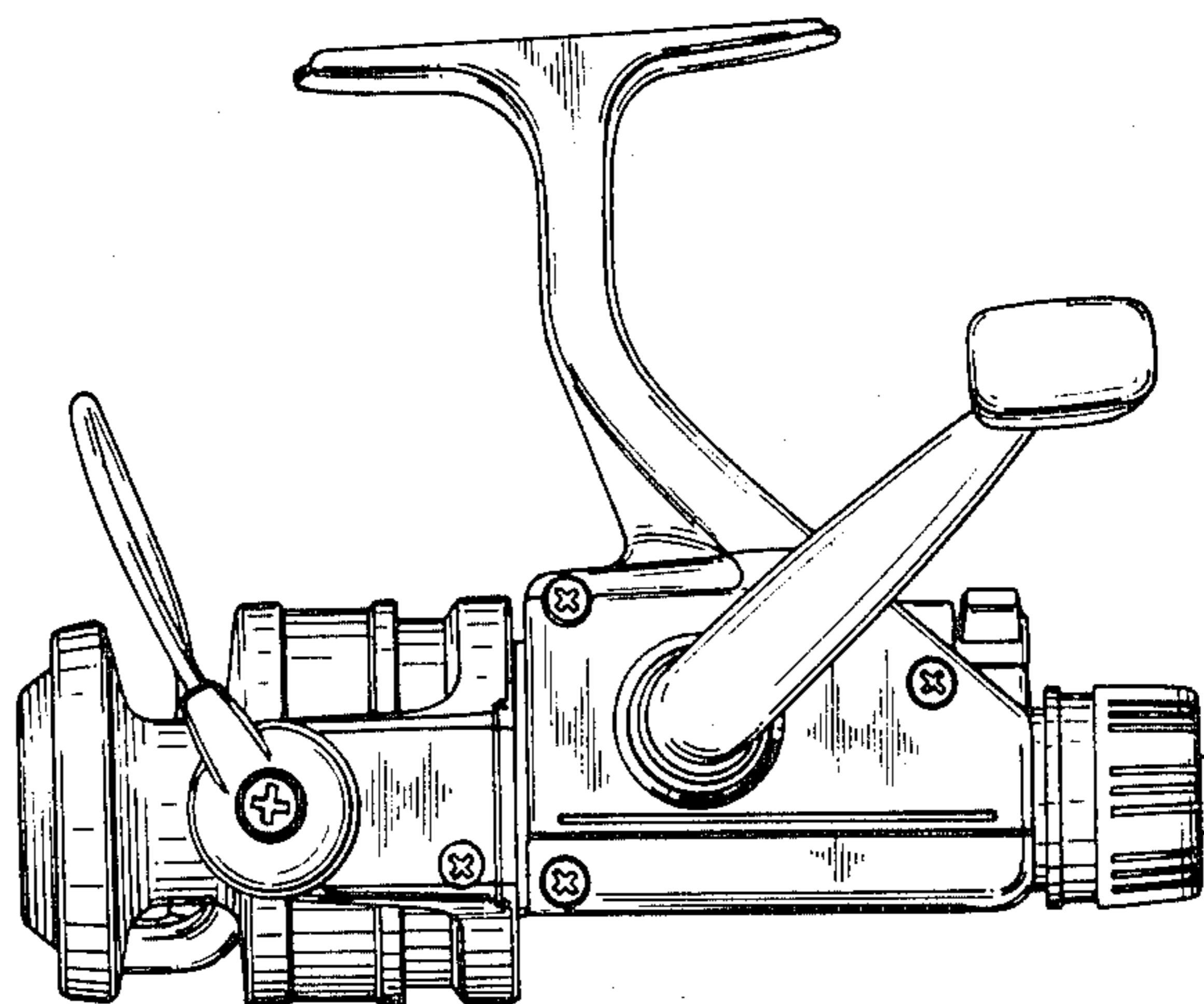


FIG. 4

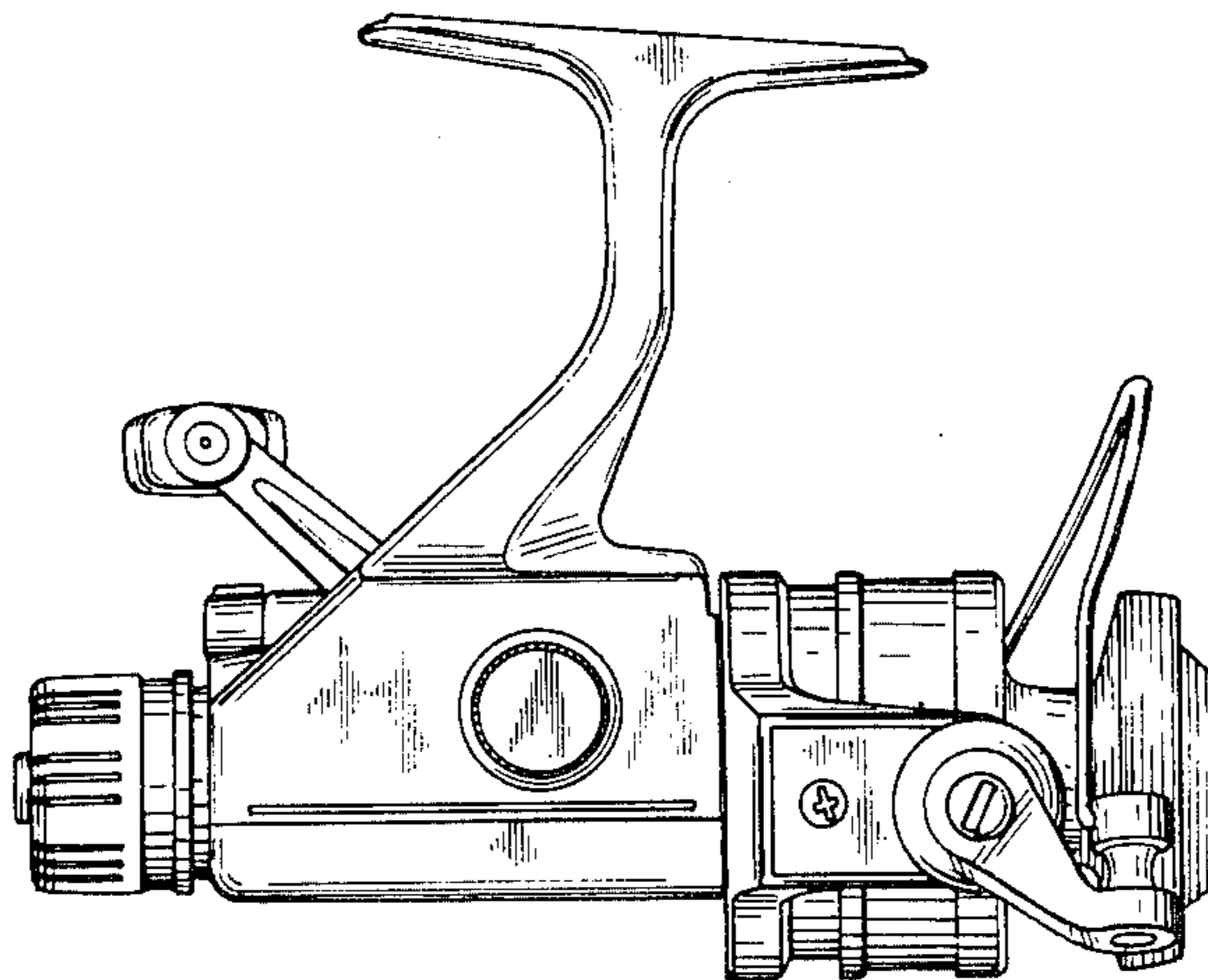


FIG. 5

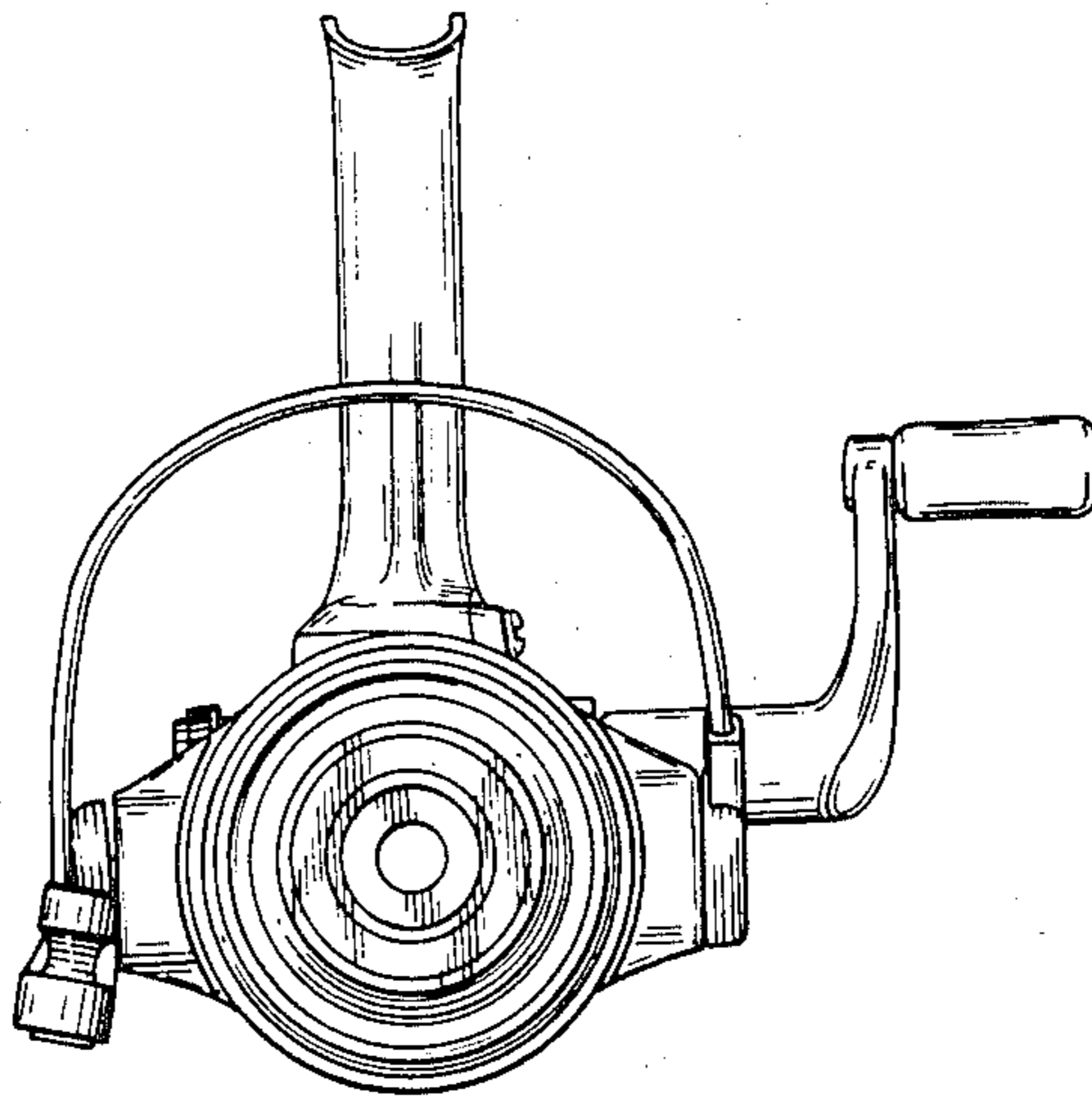


FIG. 6

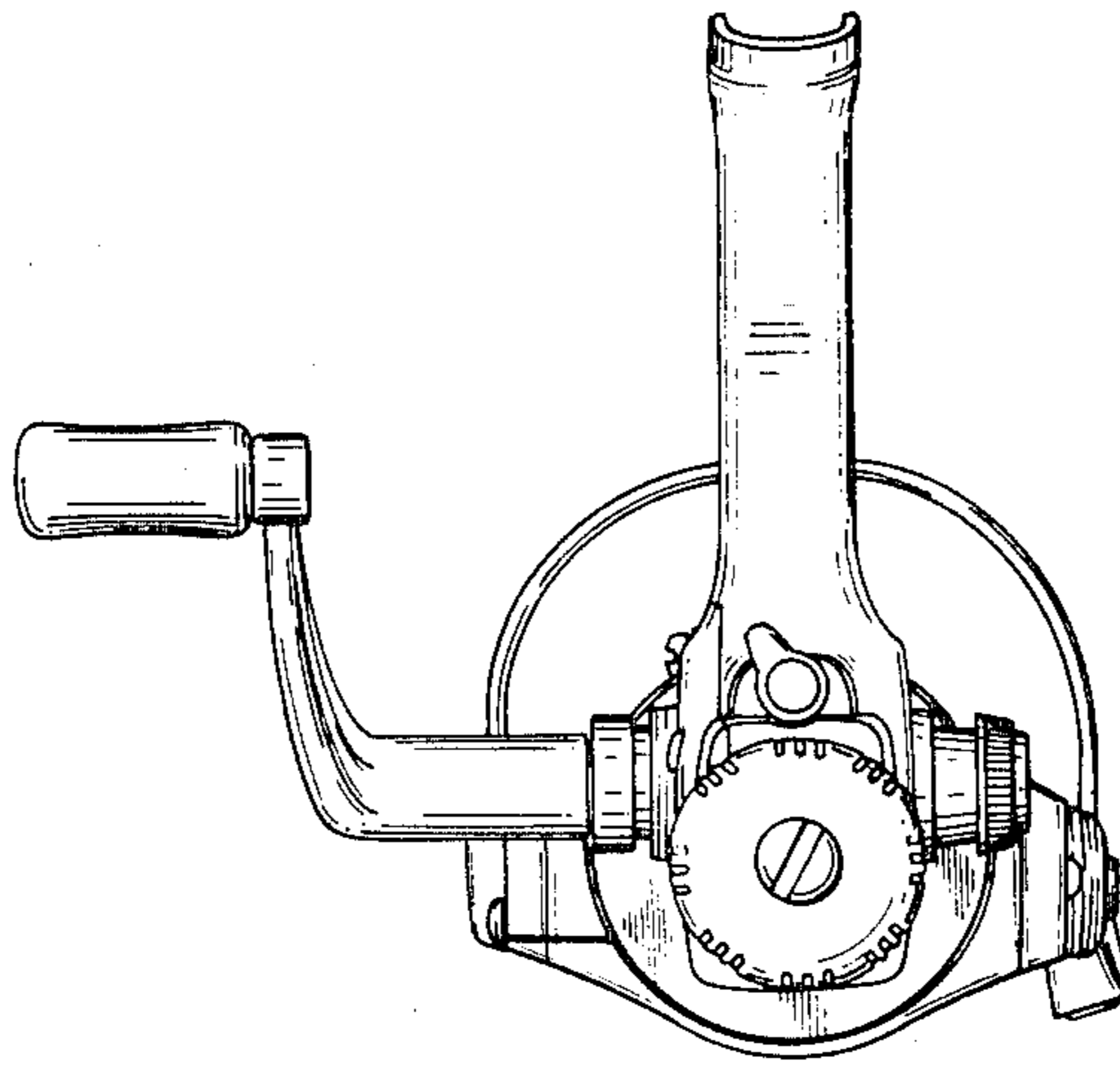


FIG. 7

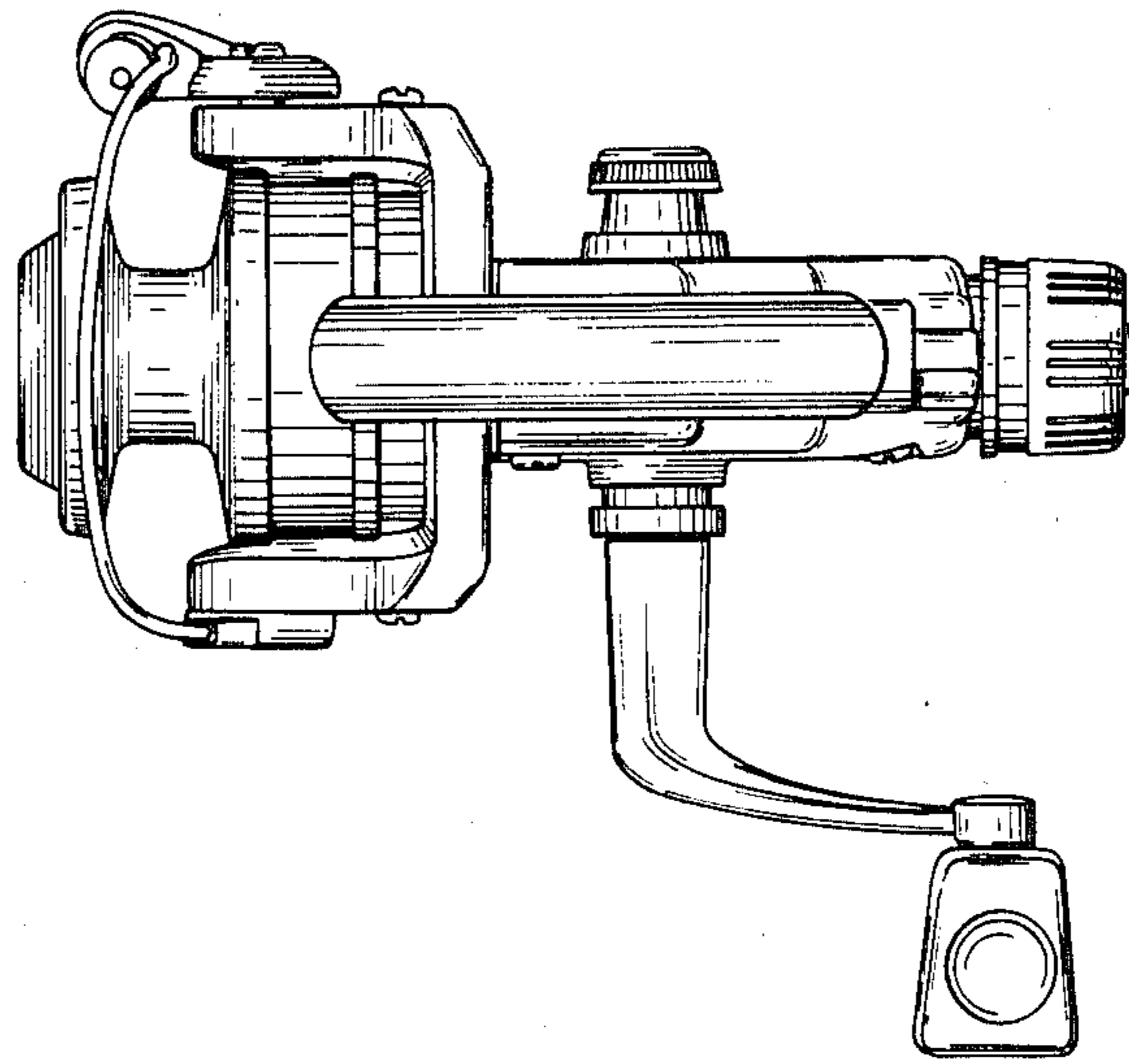


FIG. 8

