

[54] ADJUSTABLE ROLLER SKATE

4,328,627 5/1982 Sanders 280/11.27

[76] Inventors: Reuben B. Klamer, Suite 1001, 969 Hilgard Ave., Los Angeles, Calif. 90029; Beatrice Pardo, 7414 Herschel Ave. #309, La Jolla, Calif. 92037

OTHER PUBLICATIONS

Hong Kong Enterprise, 1-1981, p. 7, Roller Skate at #1, GF-1200.

[**] Term: 14 Years

Primary Examiner—Charles A. Rademaker
Attorney, Agent, or Firm—Irell & Manella

[21] Appl. No.: 910,764

[57] CLAIM

[22] Filed: Sep. 23, 1986

The ornamental design for an adjustable roller skate, as shown and described.

[52] U.S. Cl. D21/226

[58] Field of Search D21/224, 225, 226; 280/11.27, 11.3, 11.19, 811, 809; 301/5.3

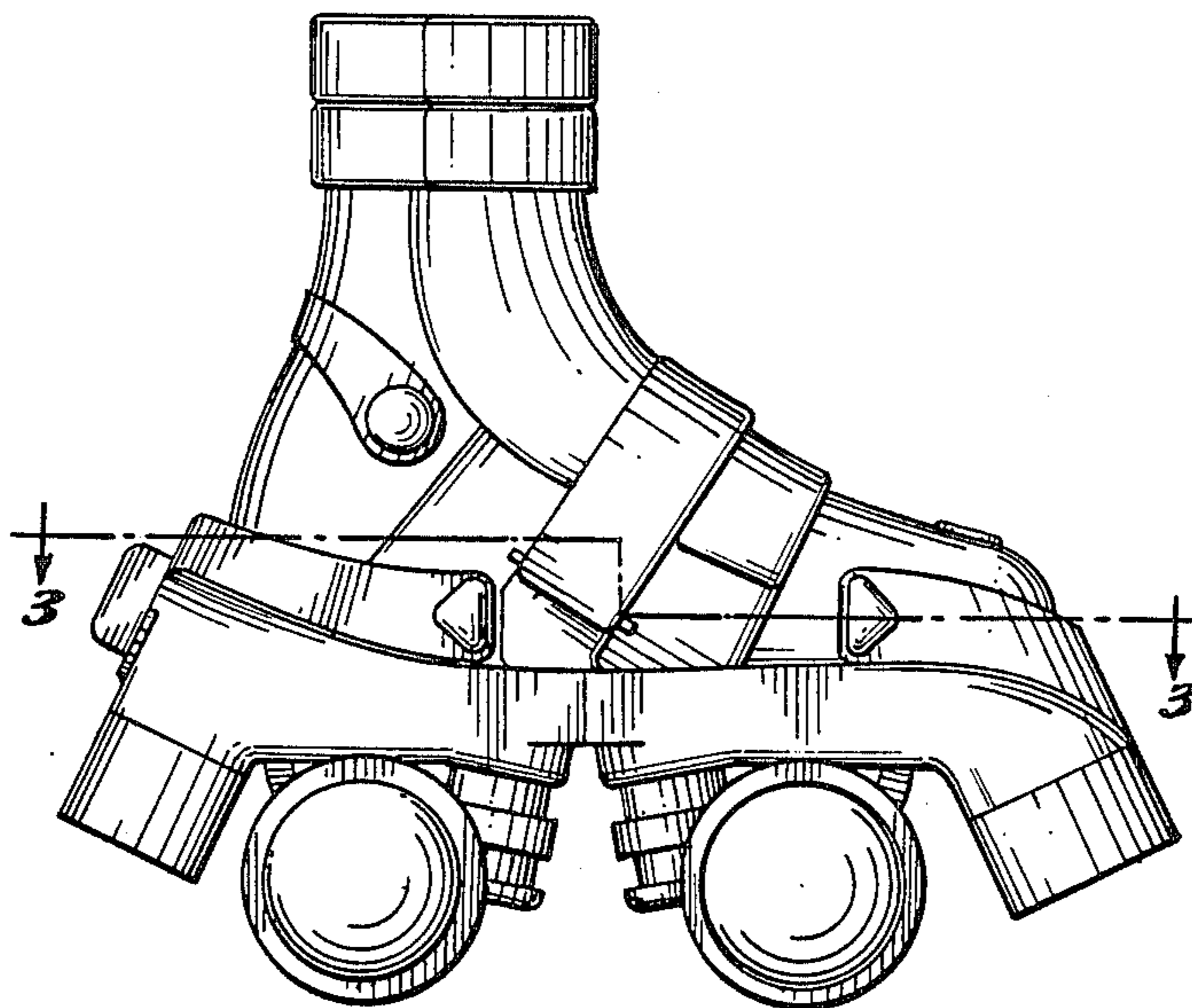
DESCRIPTION

[56] References Cited

U.S. PATENT DOCUMENTS

- D. 228,356 9/1973 Taylor D21/226
- D. 237,992 12/1975 Famolare D21/226
- D. 272,258 1/1984 Olivieri D21/226
- D. 282,095 1/1986 Robjent D21/226

FIG. 1 is a front elevational view of an adjustable roller skate showing our new design; FIG. 2 is a rear elevational view thereof; FIG. 3 is a cross-sectional view thereof taken along line 3—3 in FIG. 4; and FIG. 4 is a side elevational view thereof, the side opposite being substantially a mirror image.



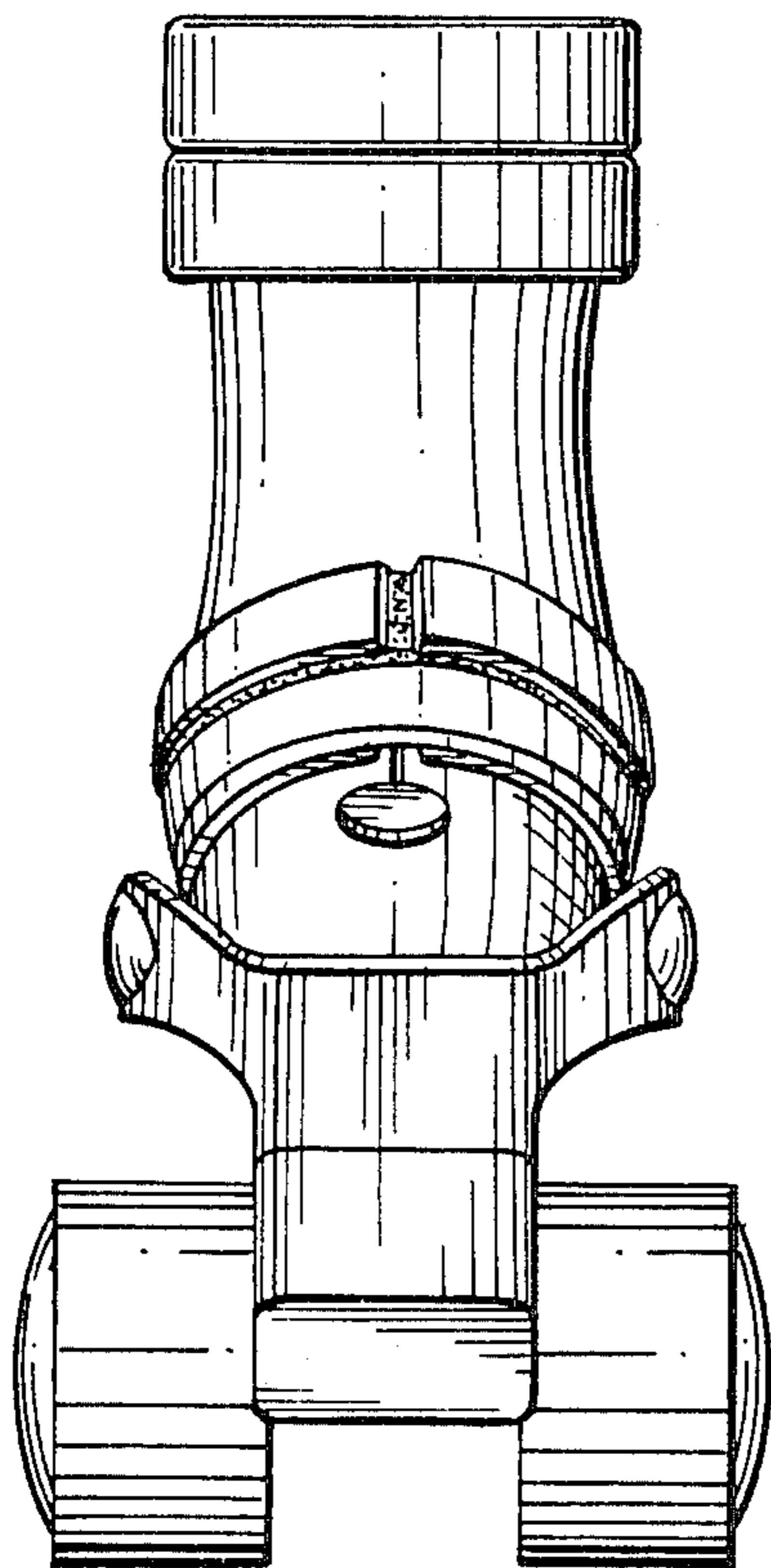


Fig. 1

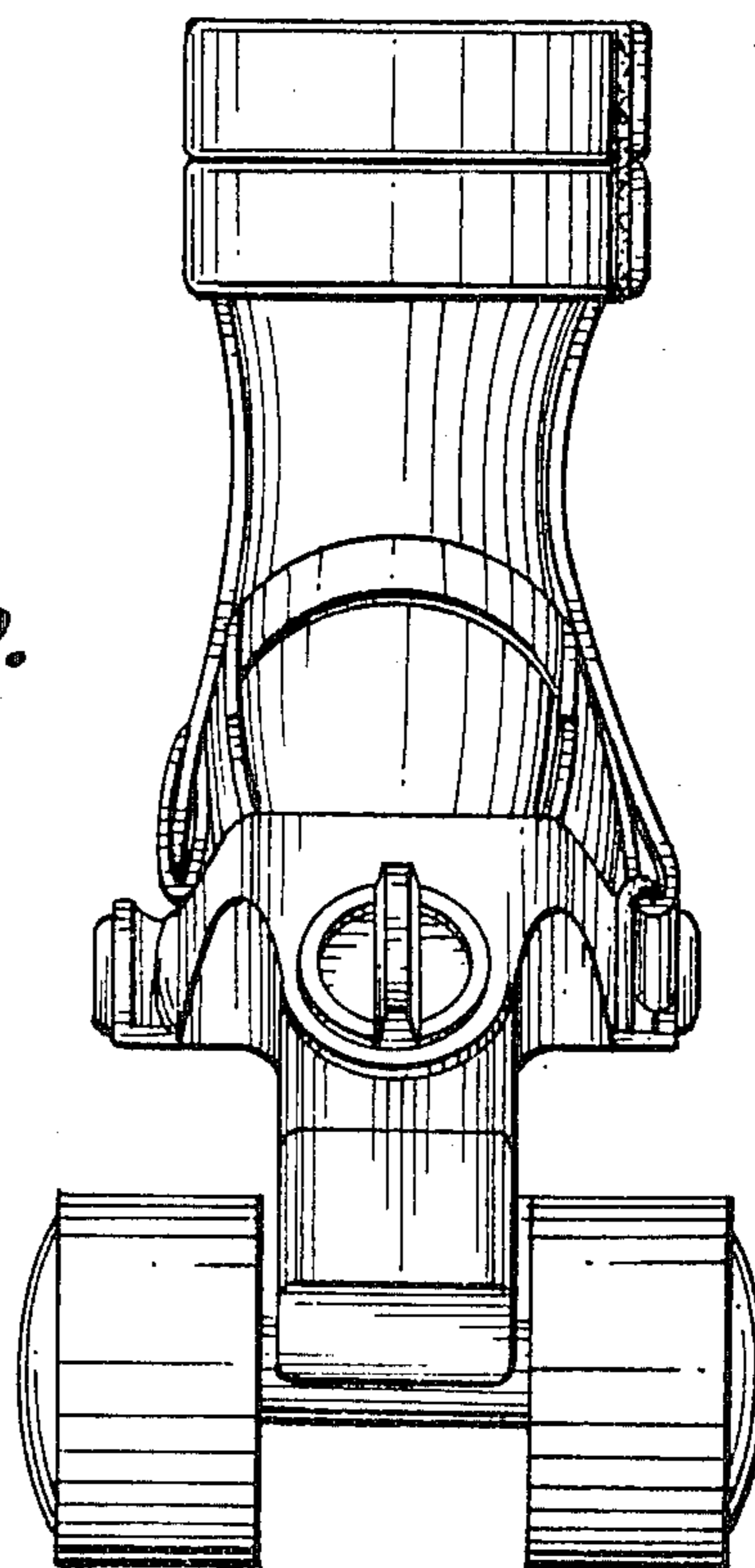


Fig. 2.

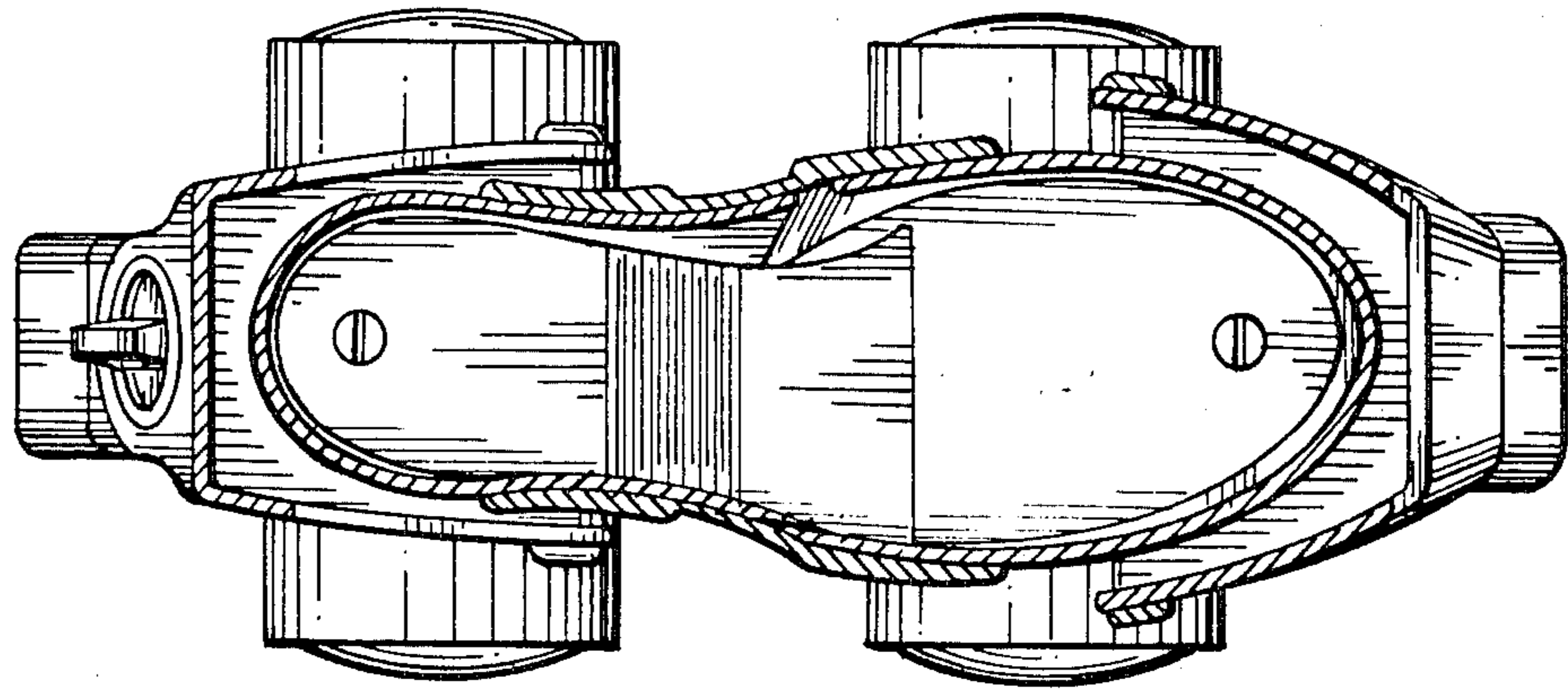


Fig. 3.

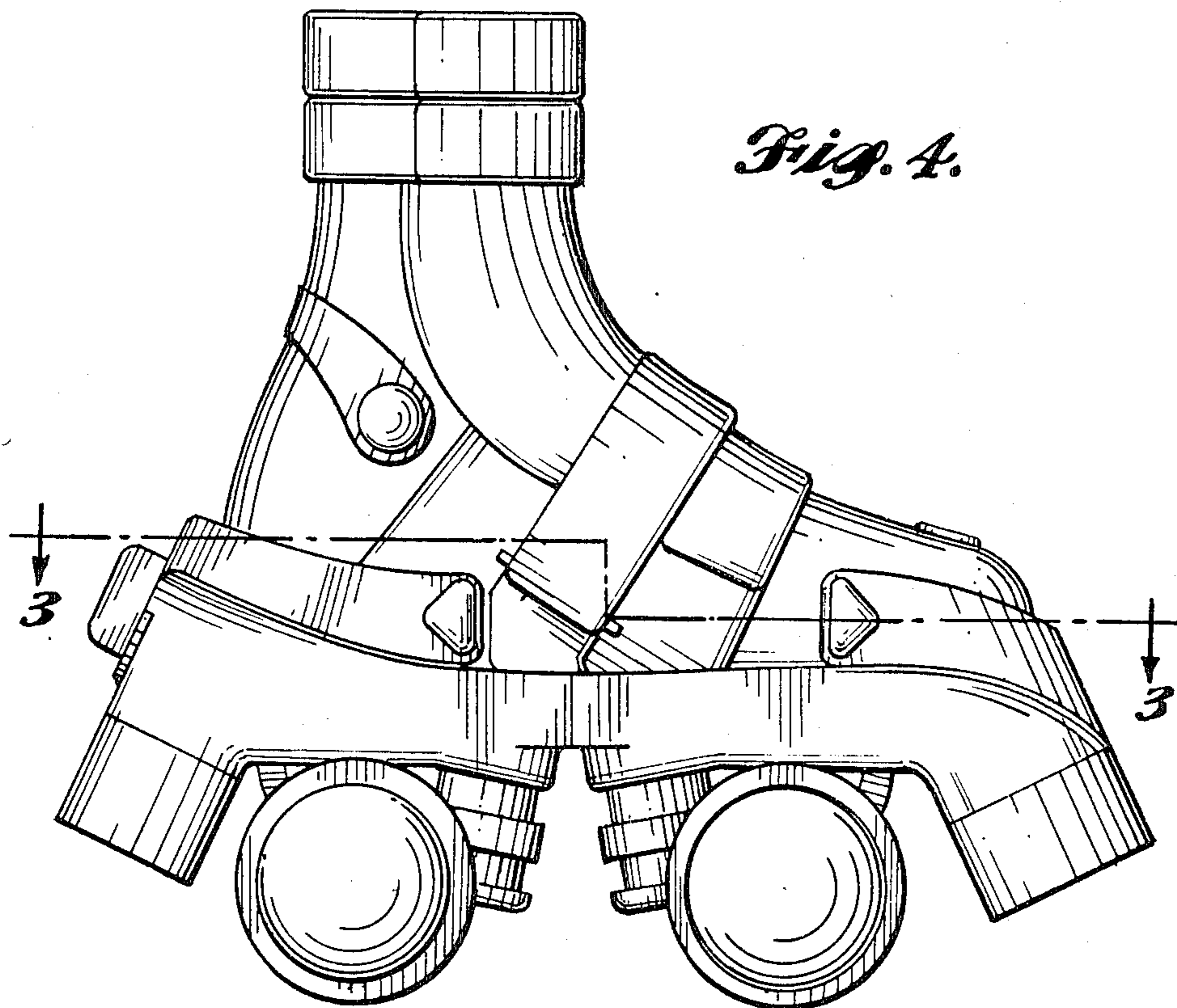


Fig. 4.