

[54] PHYSICAL EXERCISER

[75] Inventor: Sherman P. Grider, Walnut, Calif.

[73] Assignee: Bollinger Industries, Irving, Tex.

[**] Term: 14 Years

[21] Appl. No.: 916,210

[22] Filed: Oct. 6, 1986

[52] U.S. Cl. D21/195; D21/191

[58] Field of Search D21/191-199;
D6/383, 386; 272/143, 149, 139, 133, 125, 136

[56] References Cited

U.S. PATENT DOCUMENTS

- D. 207,102 3/1967 Hennessey D6/365
D. 239,302 3/1976 Clarke D21/195
D. 239,399 3/1976 Clarke D21/195

- D. 277,219 1/1985 Johnson D21/191
D. 280,843 10/1985 Kelley et al. D21/191
D. 289,783 5/1987 Pappinen D21/195
4,598,908 7/1986 Morgan 272/117

Primary Examiner—Charles A. Rademaker
Attorney, Agent, or Firm—Boniard I. Brown

[57] CLAIM

The ornamental design for a physical exerciser, as shown and described.

DESCRIPTION

FIG. 1 is a top plan view of a physical exerciser, showing my new design;

FIG. 2 is a side elevational view thereof, the opposite side being a mirror image thereof;

FIG. 3 is a bottom plan view thereof;

FIG. 4 is a front elevational view thereof; and

FIG. 5 is a rear elevational view thereof.

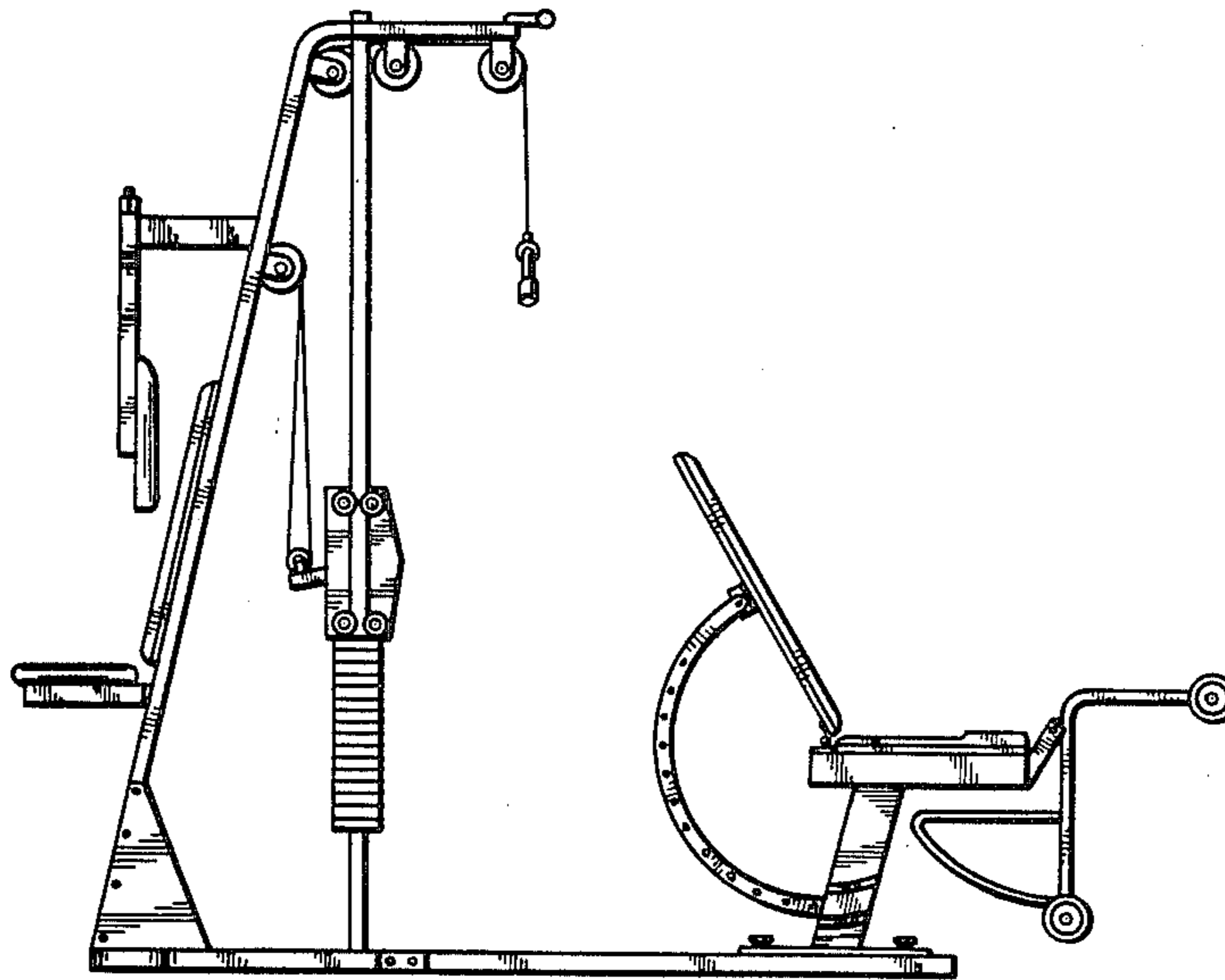


FIG. 1

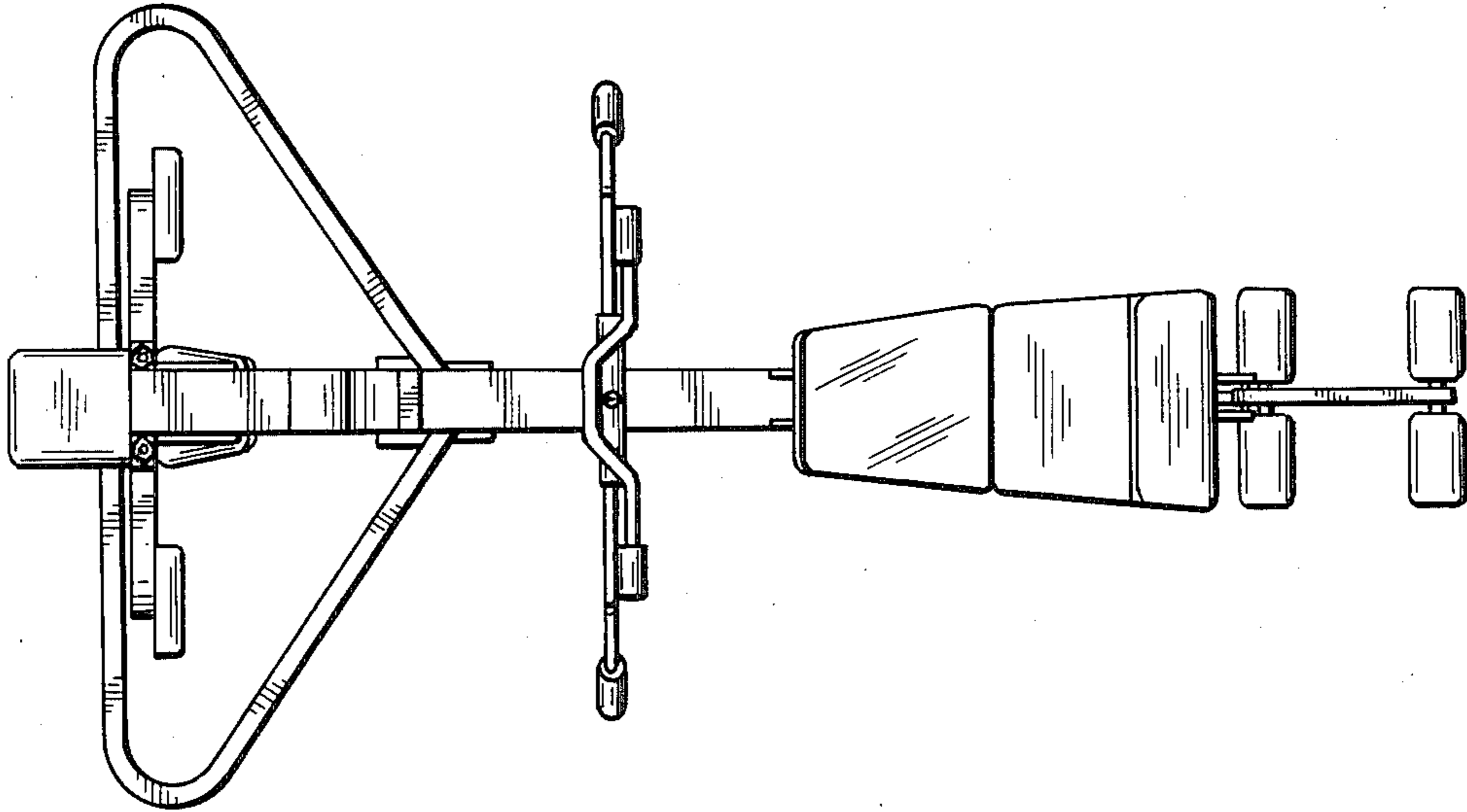


FIG. 2

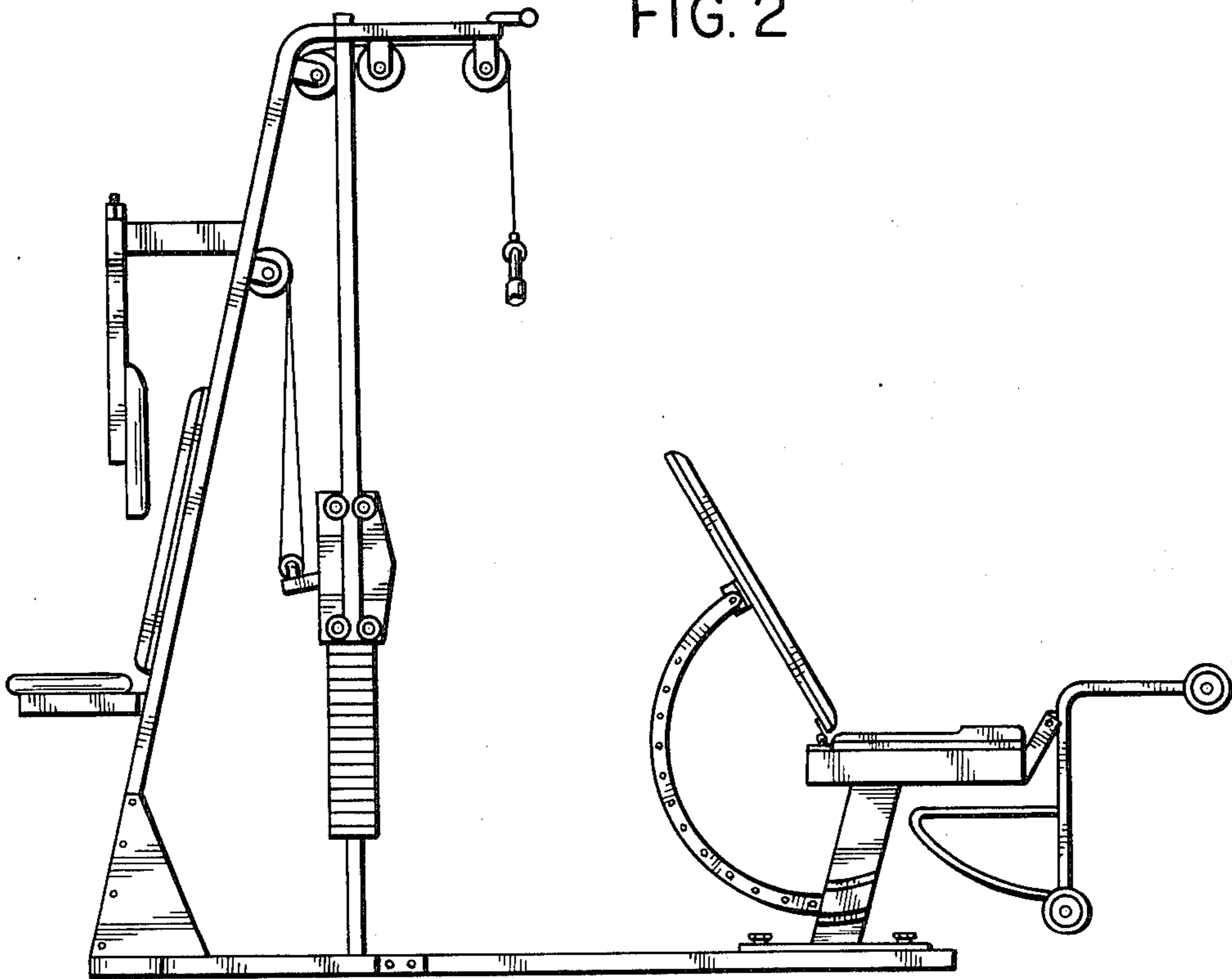


FIG. 3

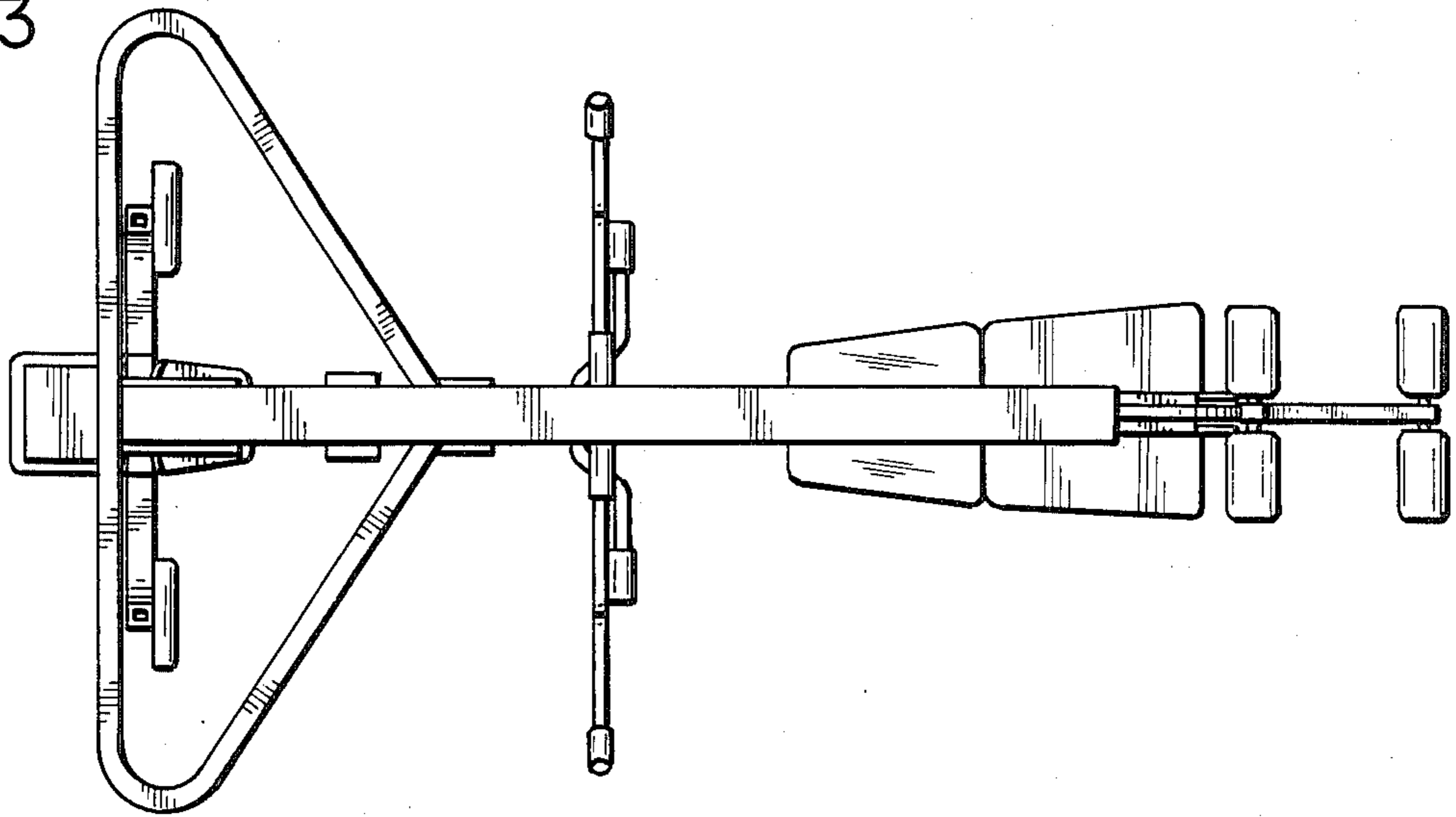


FIG. 5

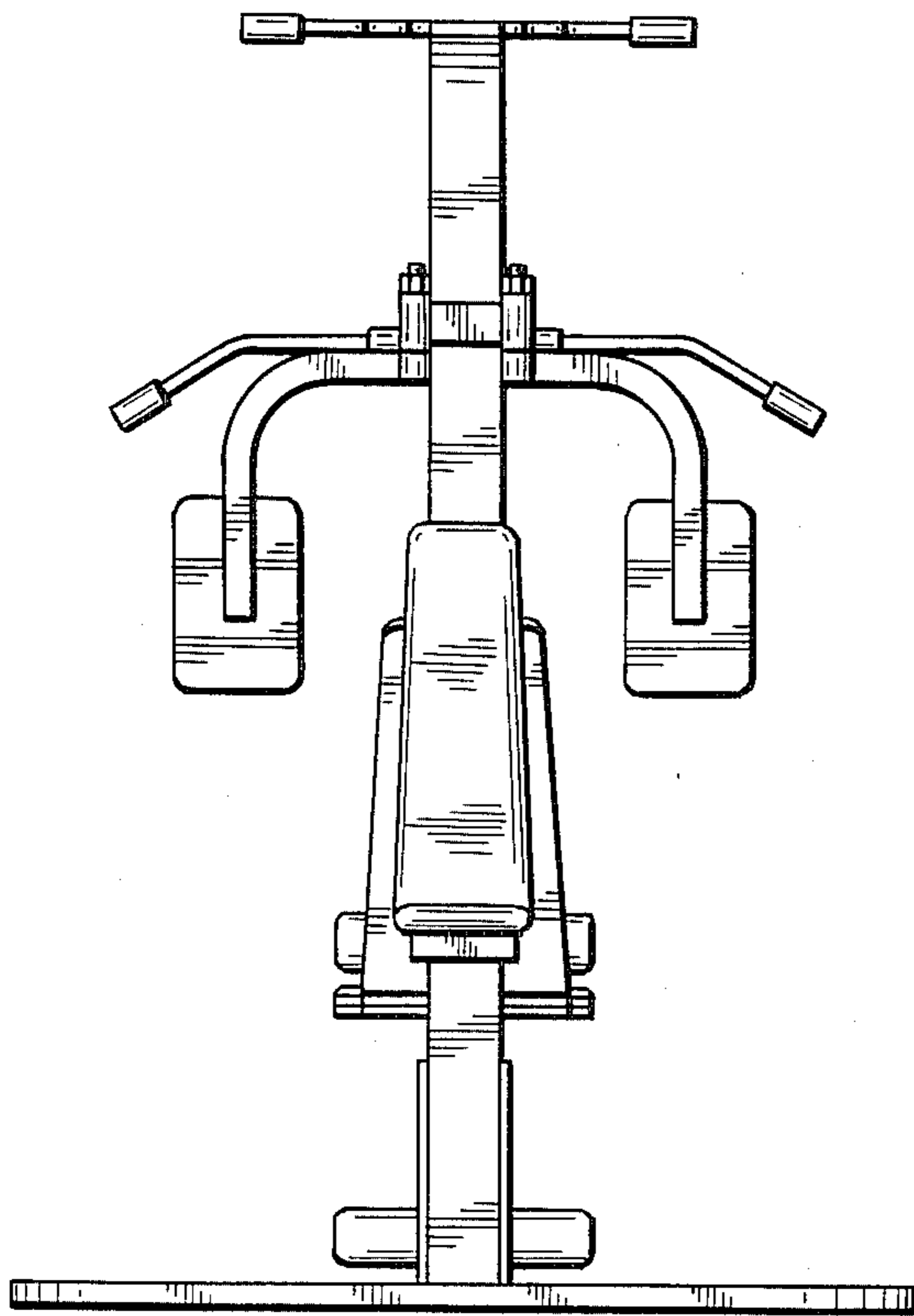


FIG. 4

