

[54] EXERCISE BICYCLE

[76] Inventor: Ron Sheltra, 2801 W. Mission Rd., Alhambra, Calif. 91803

[**] Term: 14 Years

[21] Appl. No.: 836,463

[22] Filed: Feb. 24, 1986

[52] U.S. Cl. D21/194

[58] Field of Search D21/194; 272/70.3, 73, 272/132, DIG. 6; 73/379; D6/375-374

[56] References Cited

U.S. PATENT DOCUMENTS

- D. 218,107 7/1970 Feather et al. 272/73
- D. 246,812 1/1978 Canter et al. D6/375
- D. 256,299 8/1980 MacCready D6/375

D. 283,636 4/1986 Lepley D21/194

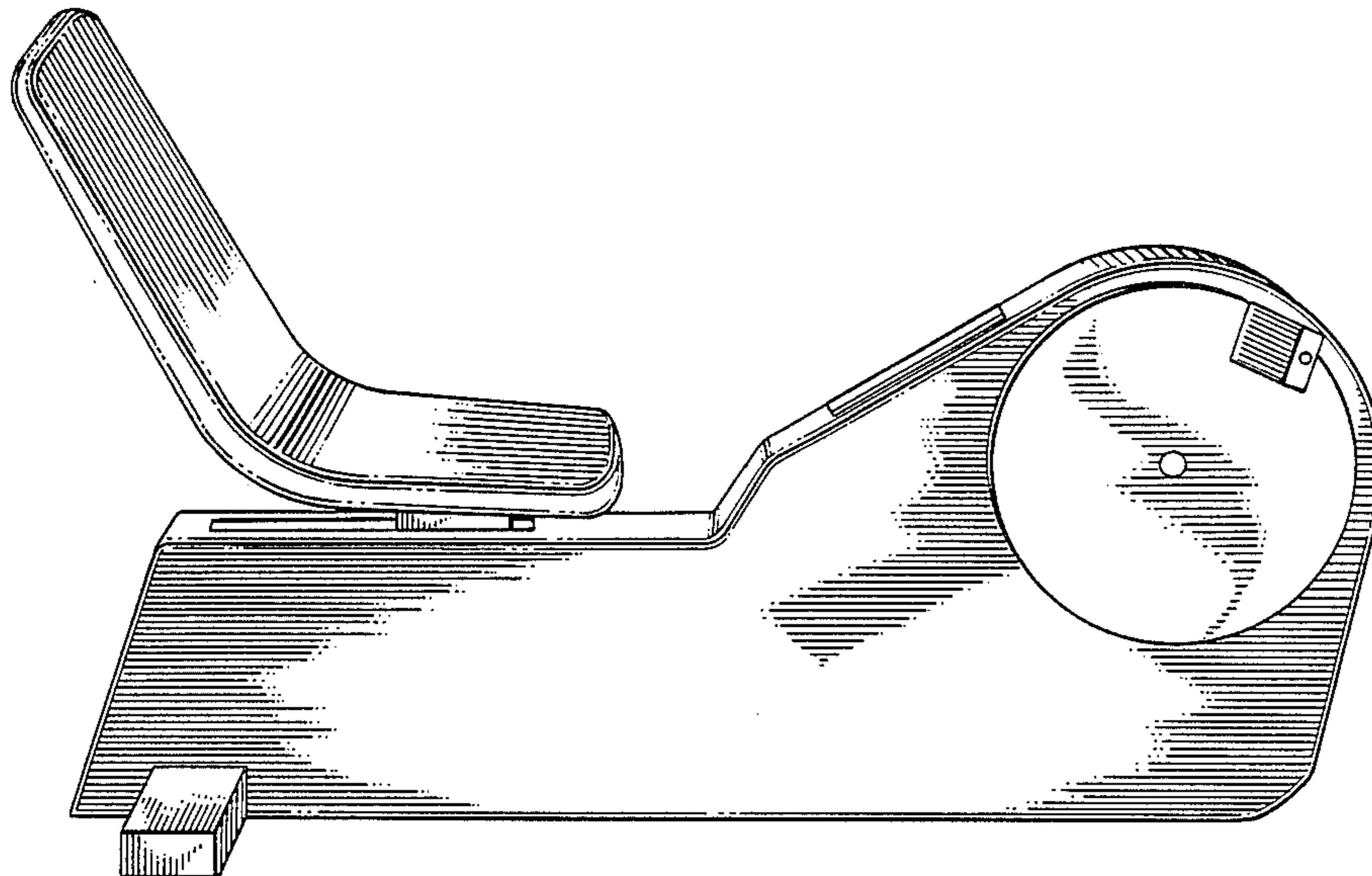
Primary Examiner—Charles A. Rademaker
Attorney, Agent, or Firm—James E. Brunton

[57] CLAIM

The ornamental design for an exercise bicycle, as shown.

DESCRIPTION

FIG. 1 is a perspective view of an exercise bicycle showing my new design;
 FIG. 2 is a top plan view thereof;
 FIG. 3 is a left end elevational view;
 FIG. 4 is a right end elevational view;
 FIG. 5 is a bottom plan view thereof; and
 FIG. 6 is a side elevational view showing the opposite side of the exercise bicycle as shown in FIG. 1.



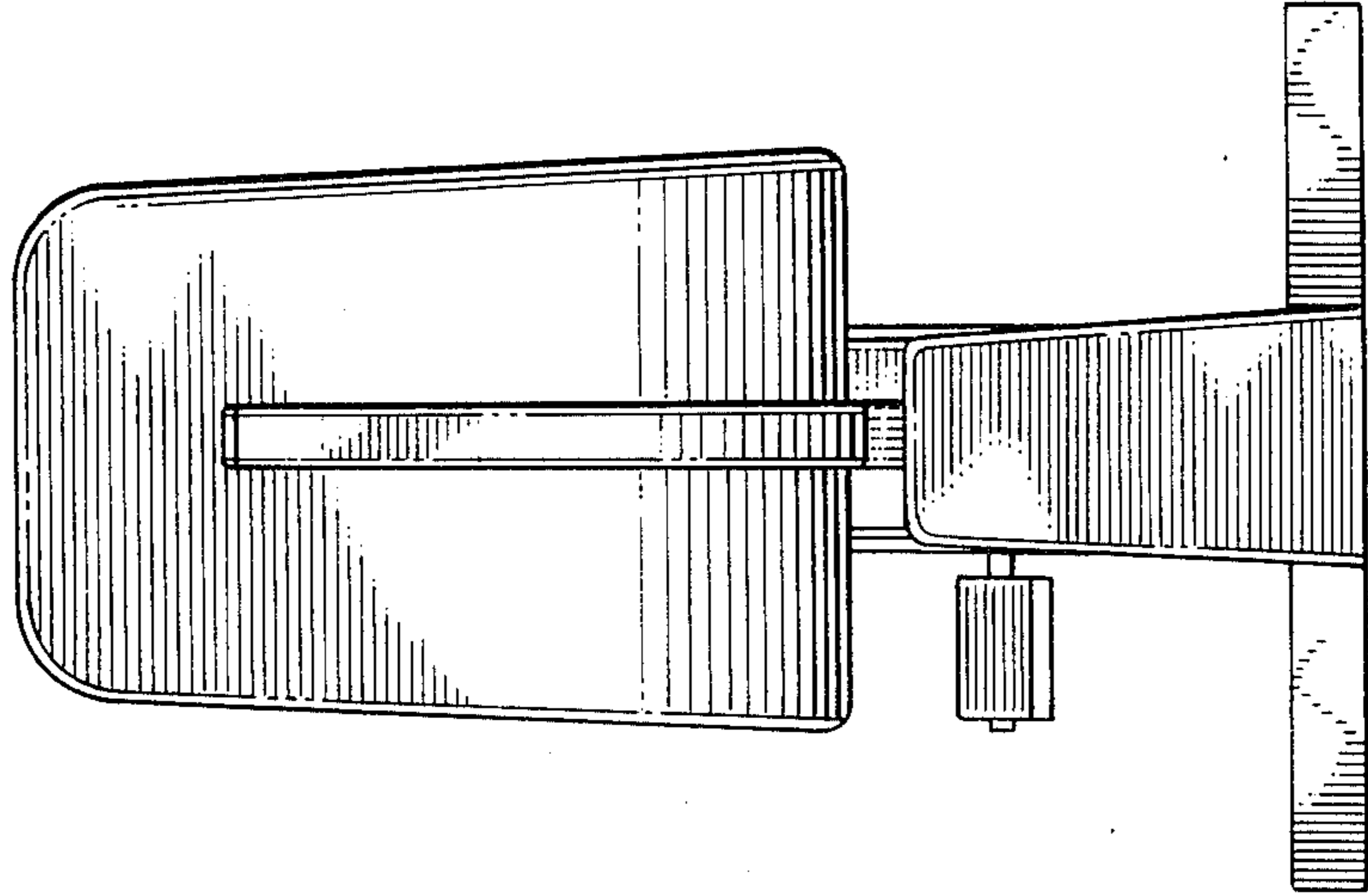


FIG. 3

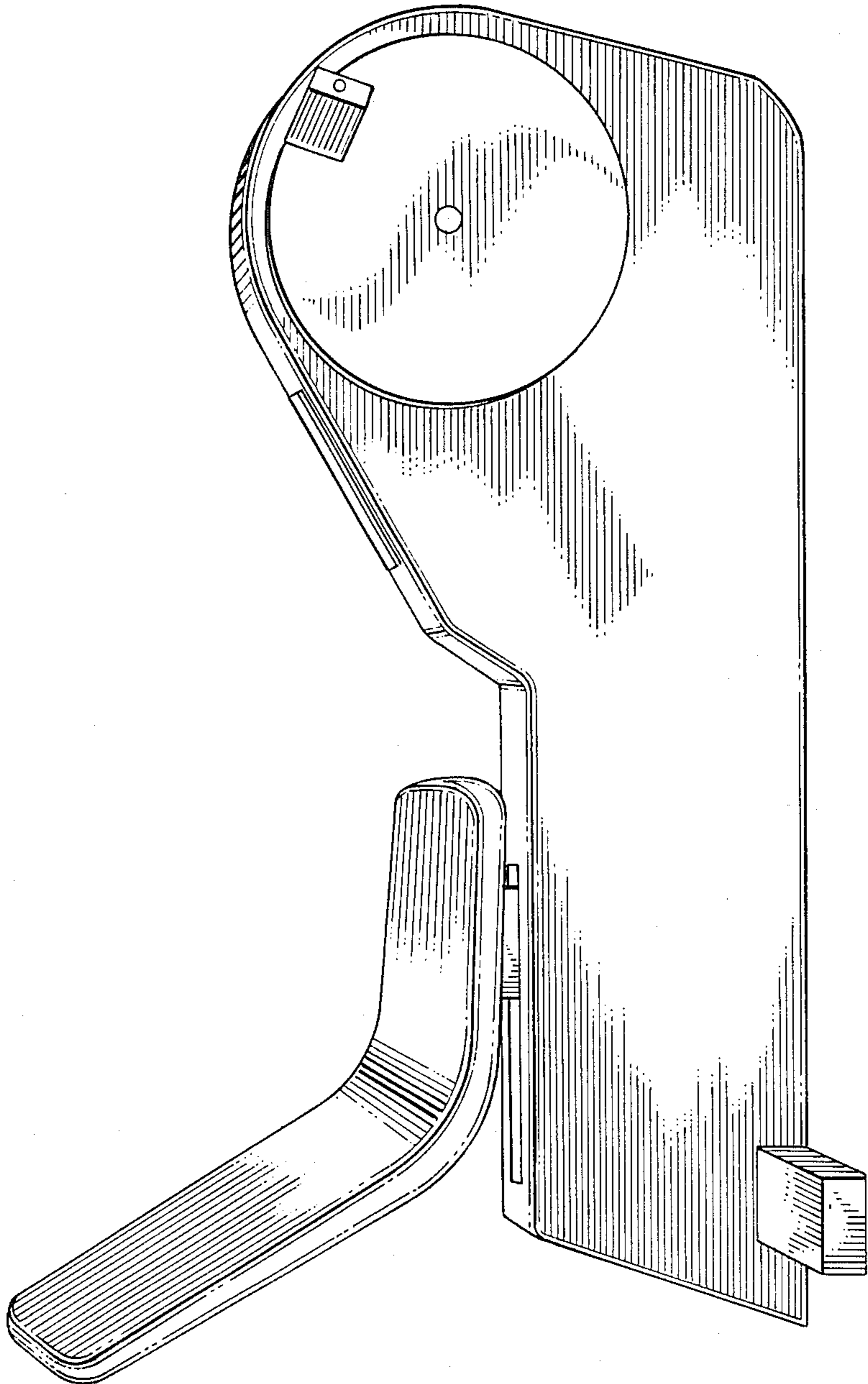


FIG. 1

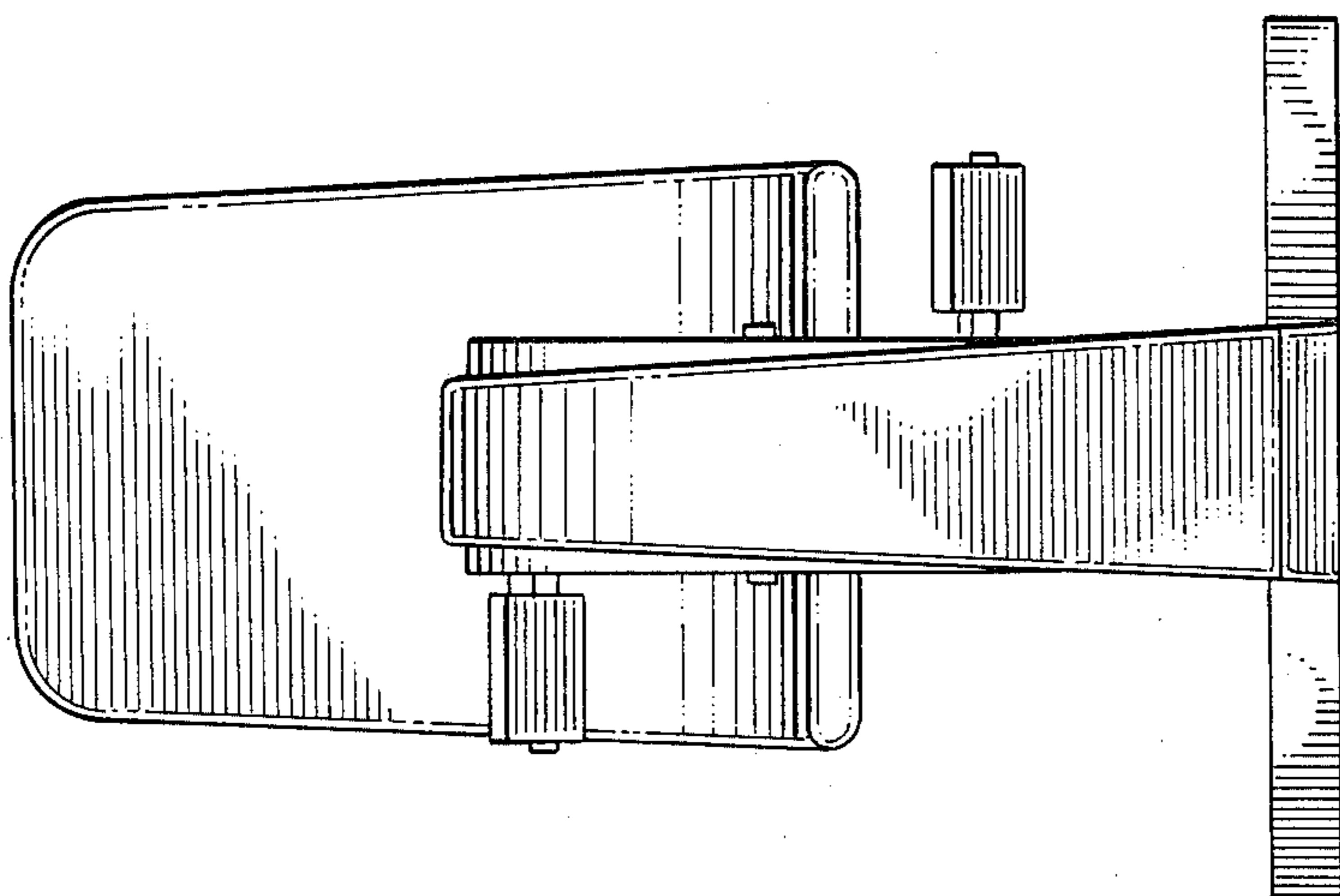


FIG. 4

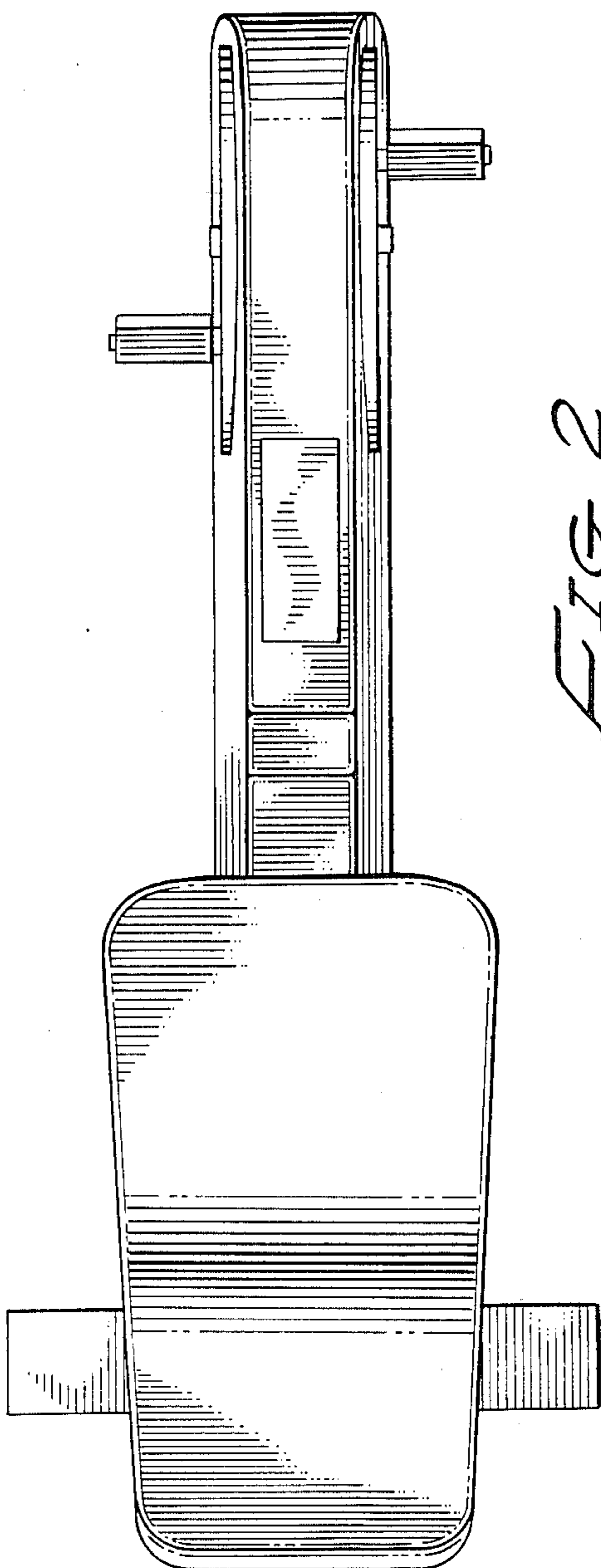


FIG. 2

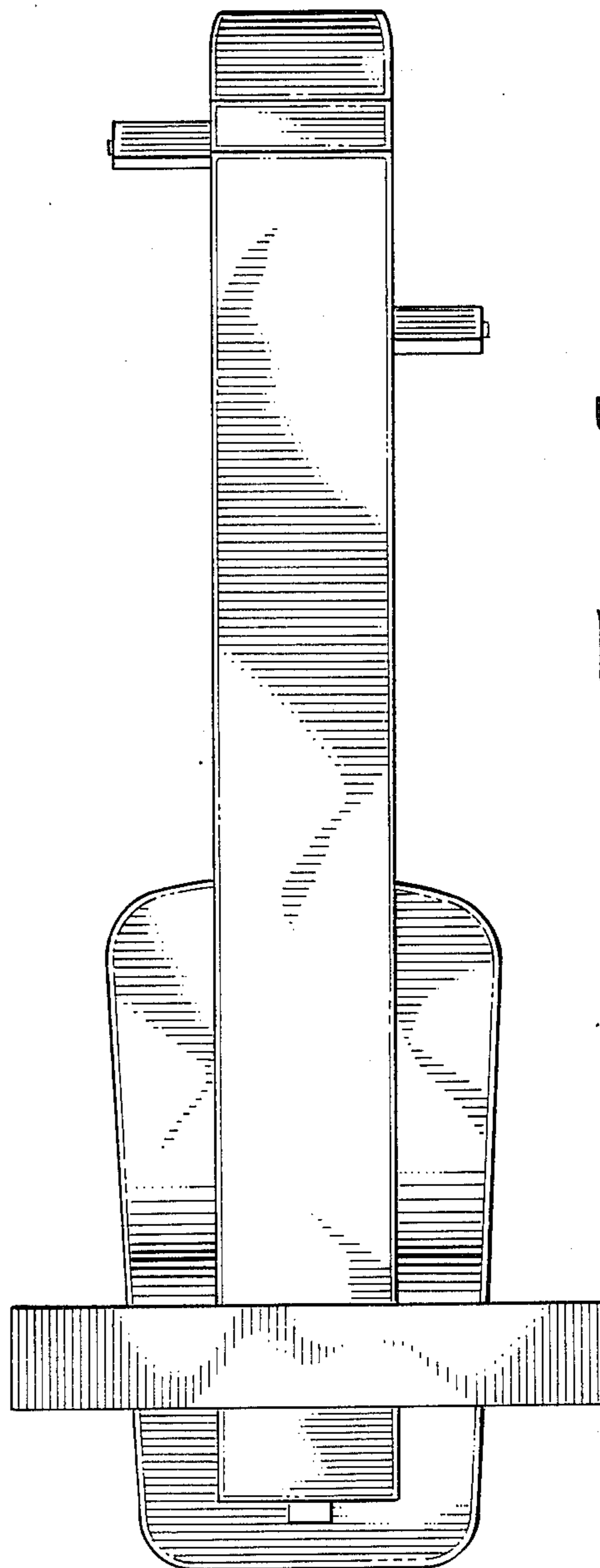


FIG. 5

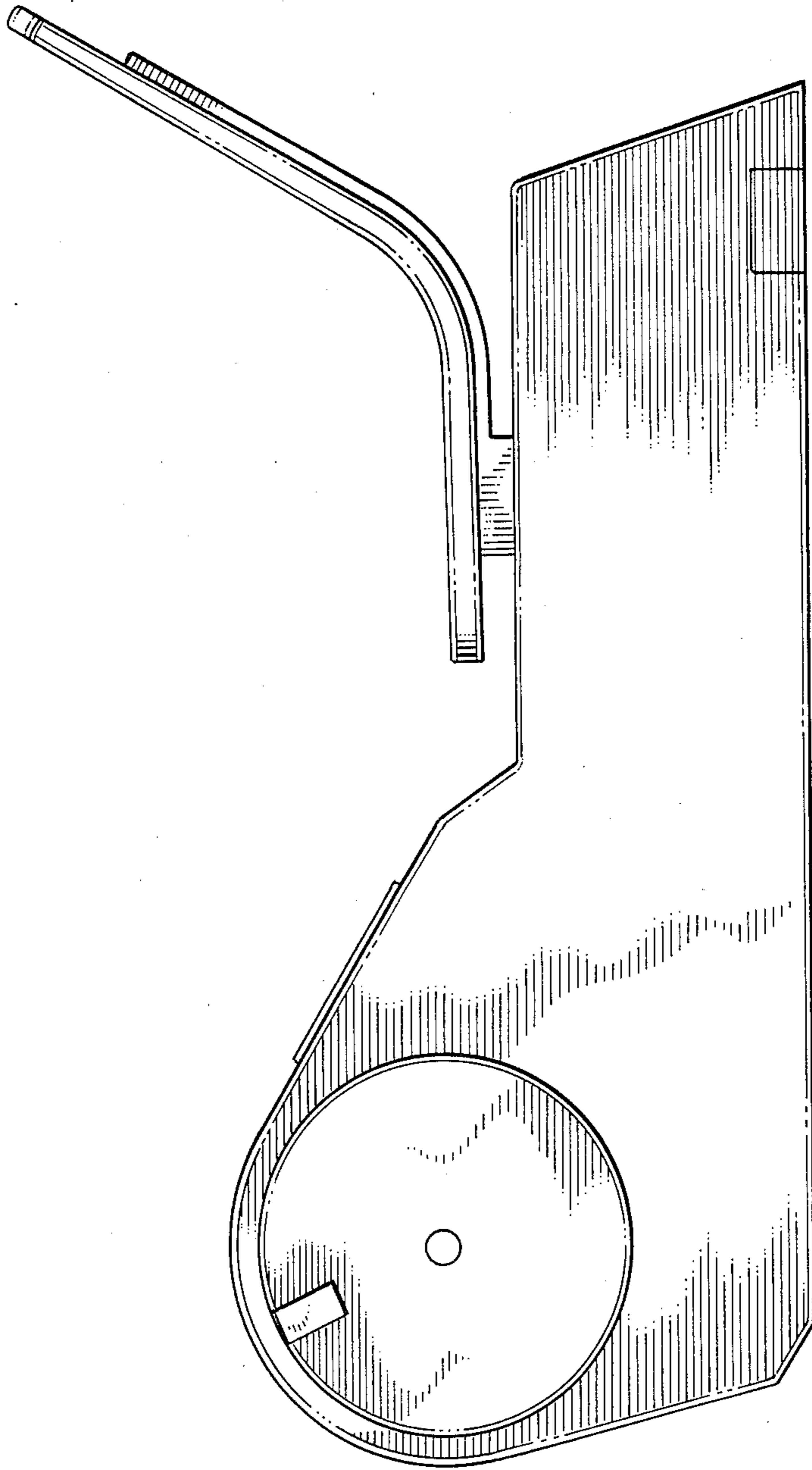


FIG. 6