

# United States Patent [19]

Armstrong et al.

[11] Patent Number: **Des. 300,046**

[45] Date of Patent: **\*\* Feb. 28, 1989**

[54] **EXERCISE BICYCLE**

[75] Inventors: **Timothy O. Armstrong; David B. Smith**, both of Bellevue; **Randolph F. Miller**, Mt. Vernon, all of Wash.

[73] Assignee: **Precor Incorporated**, Bothell, Wash.

[\*\*] Term: **14 Years**

[21] Appl. No.: **12,118**

[22] Filed: **Feb. 6, 1987**

[52] U.S. Cl. .... **D21/194**

[58] Field of Search ..... **D21/191-199;**  
**272/70.3, 73, 132; 73/379**

[56] **References Cited**

## U.S. PATENT DOCUMENTS

D. 218,107 7/1970 Feather et al. .... D21/194  
D. 283,151 3/1986 Knief ..... D21/194

D. 283,636 4/1986 Lepley ..... D21/194  
4,538,804 9/1985 Zibell ..... 272/73  
4,688,791 8/1987 Long ..... 272/73

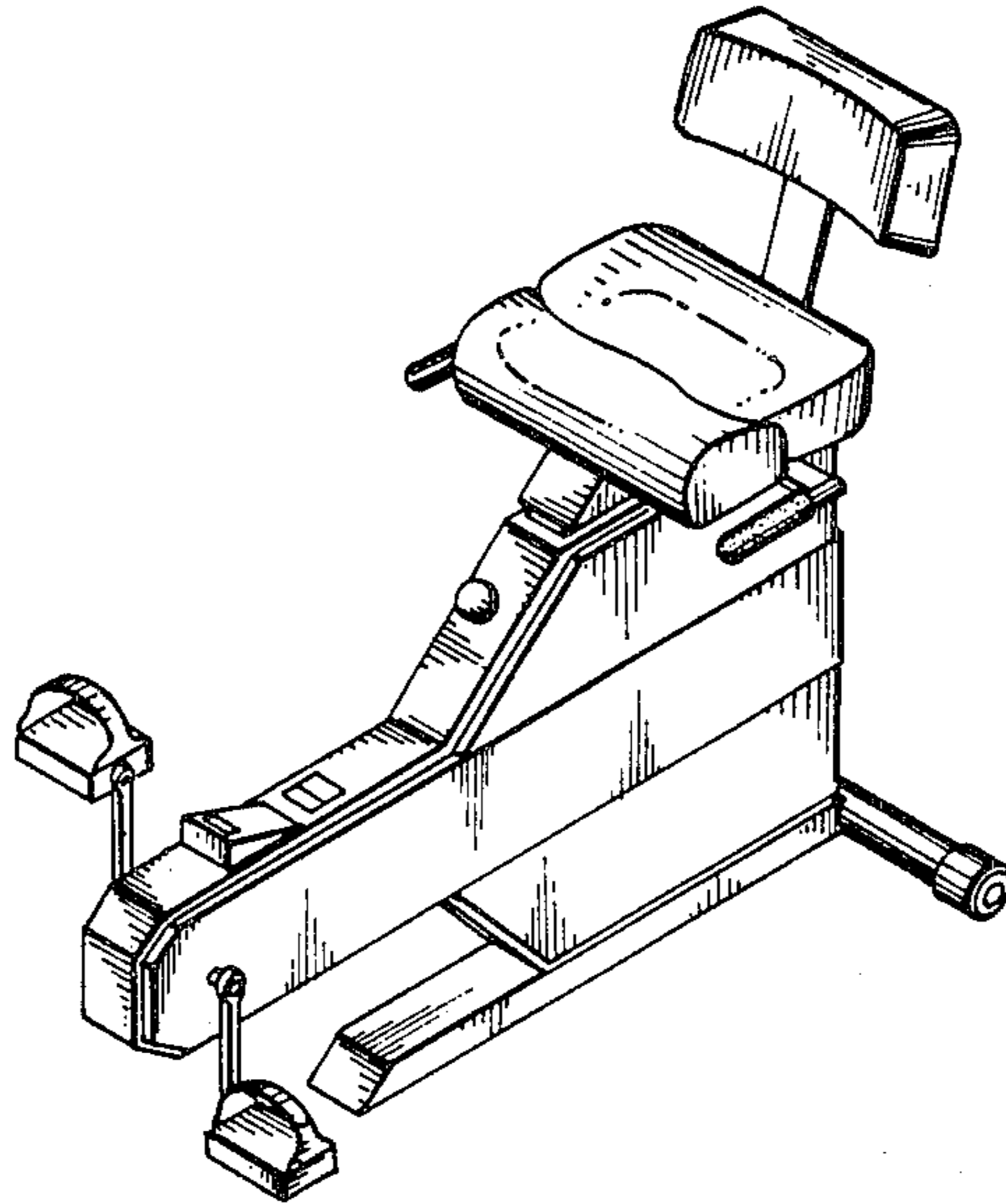
*Primary Examiner*—Charles A. Rademaker  
*Attorney, Agent, or Firm*—Christensen, O'Connor,  
Johnson & Kindness

[57] **CLAIM**

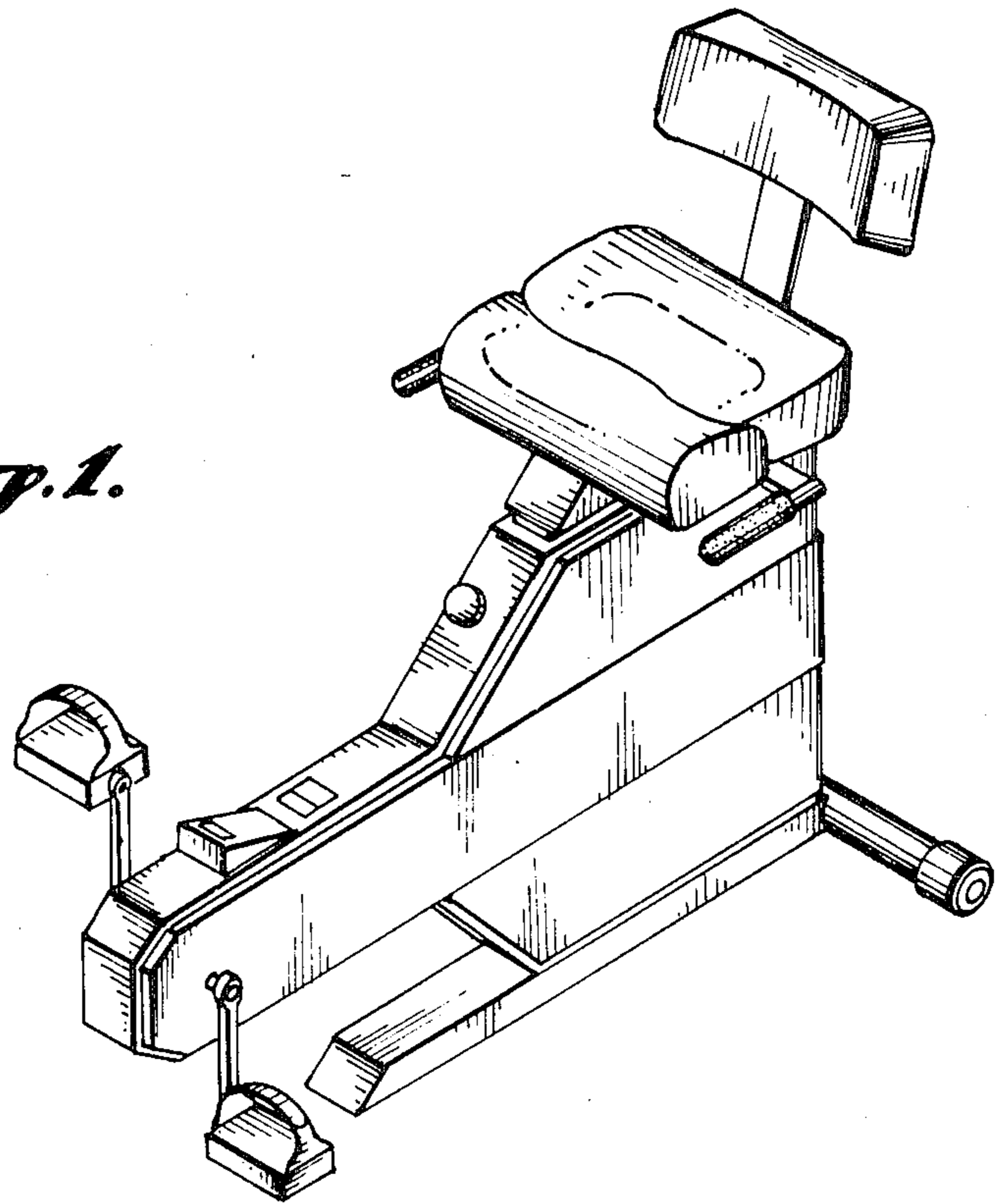
The ornamental design for an exercise bicycle, as shown and described.

## DESCRIPTION

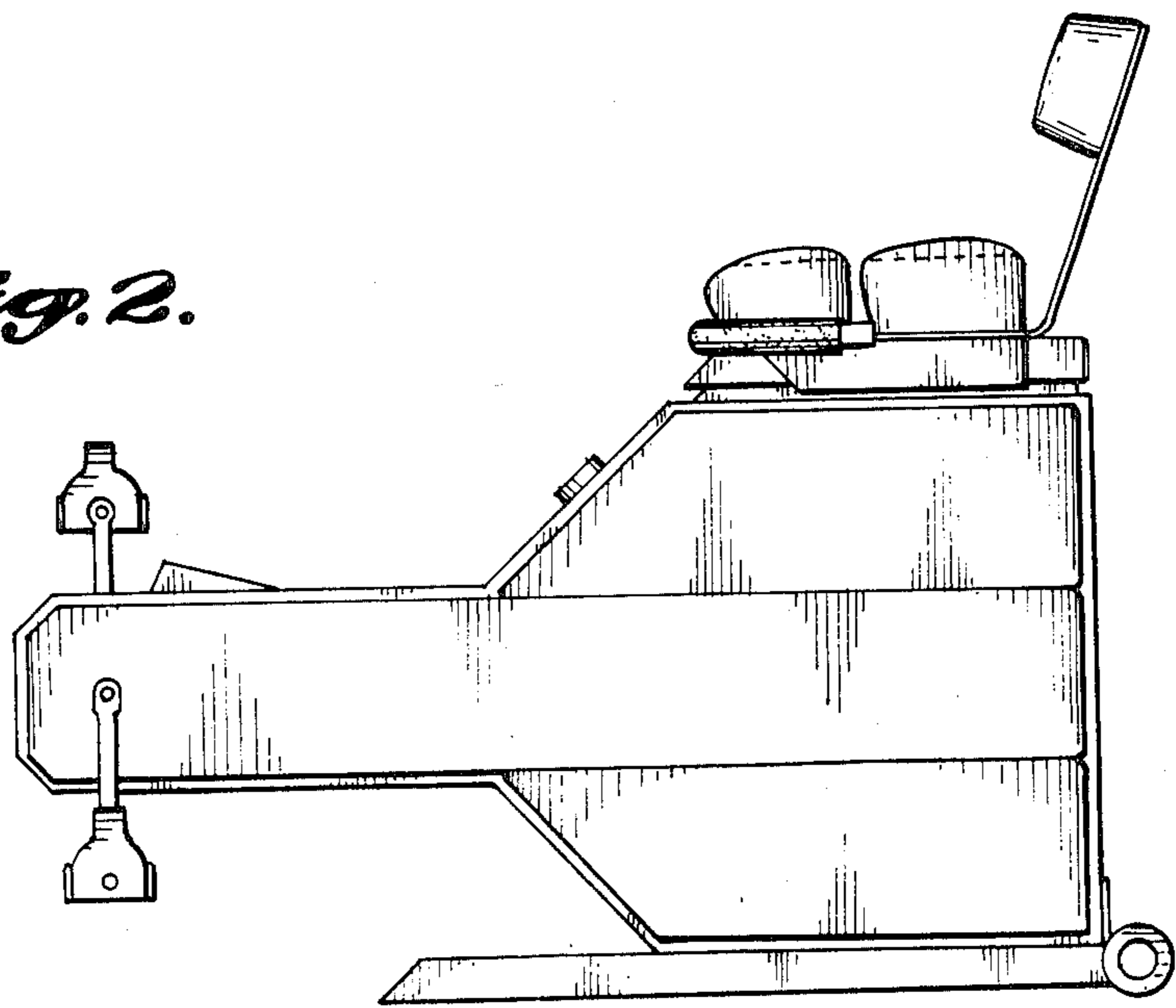
FIG. 1 is a front perspective view of an exercise bicycle showing our new design;  
FIG. 2 is a side elevational view thereof;  
FIG. 3 is a front elevational view thereof;  
FIG. 4 is a rear elevational view thereof;  
FIG. 5 is a top plan view thereof; and  
FIG. 6 is a bottom plan view thereof.

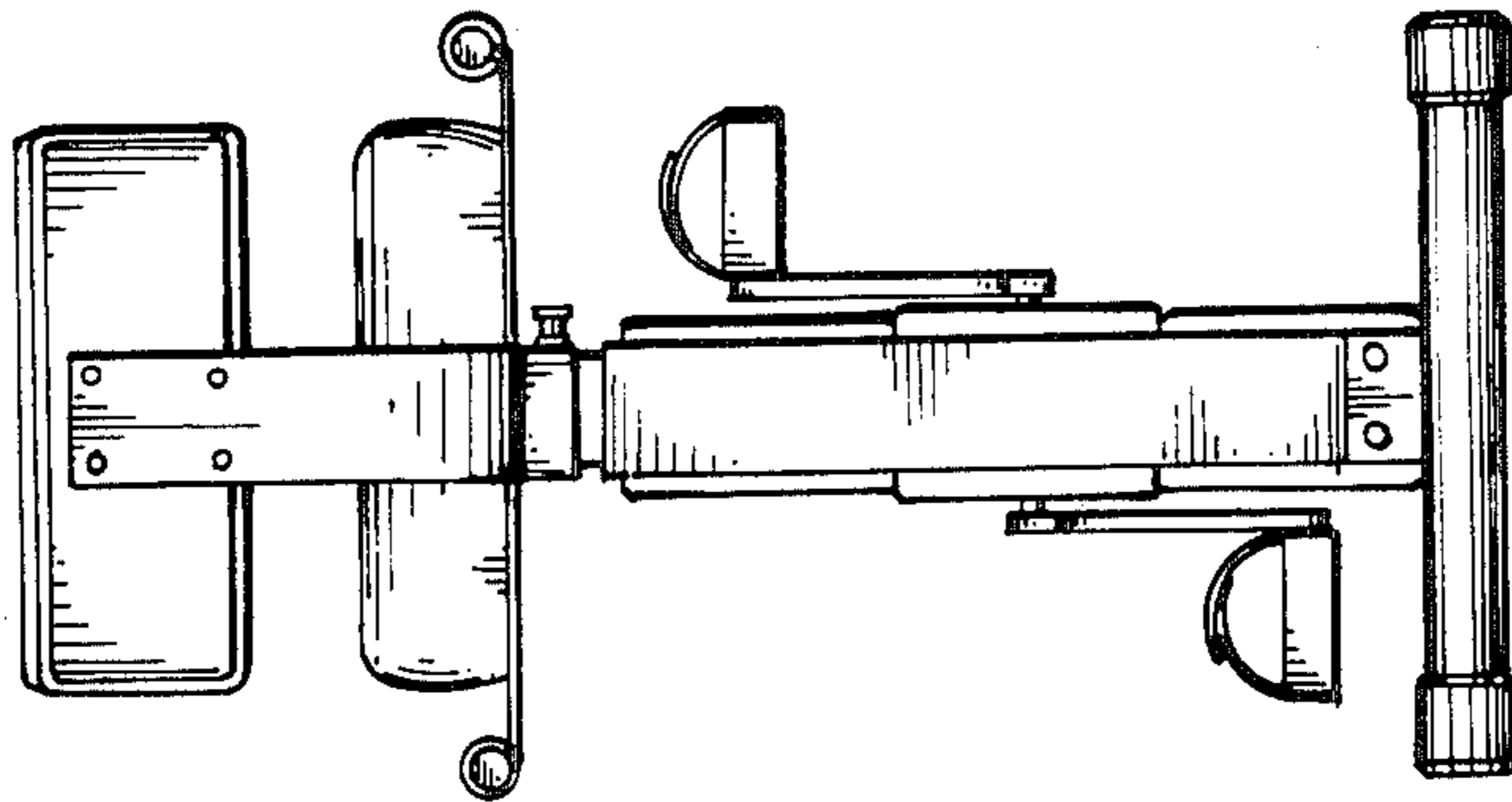


*Fig. 1.*

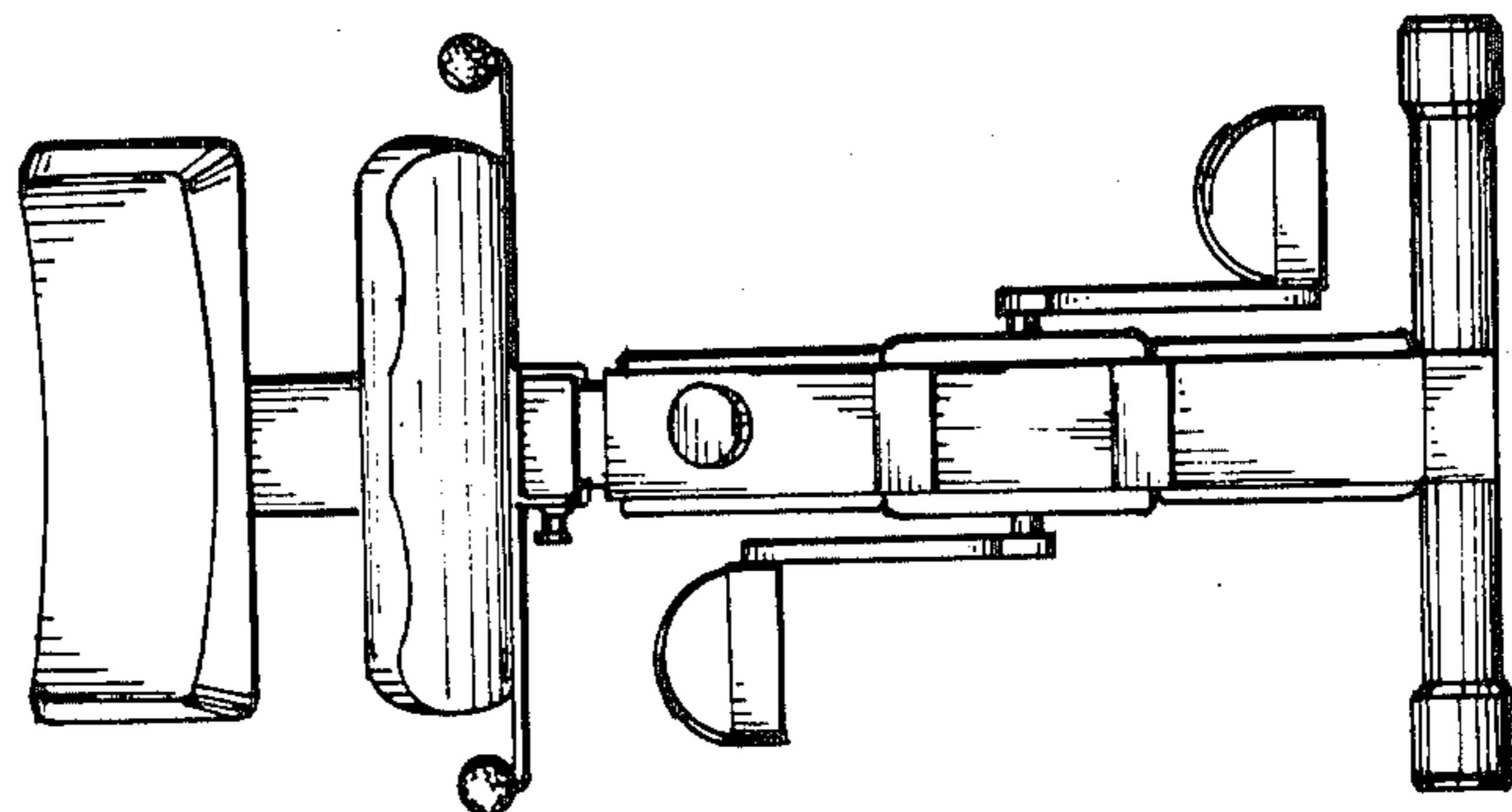


*Fig. 2.*

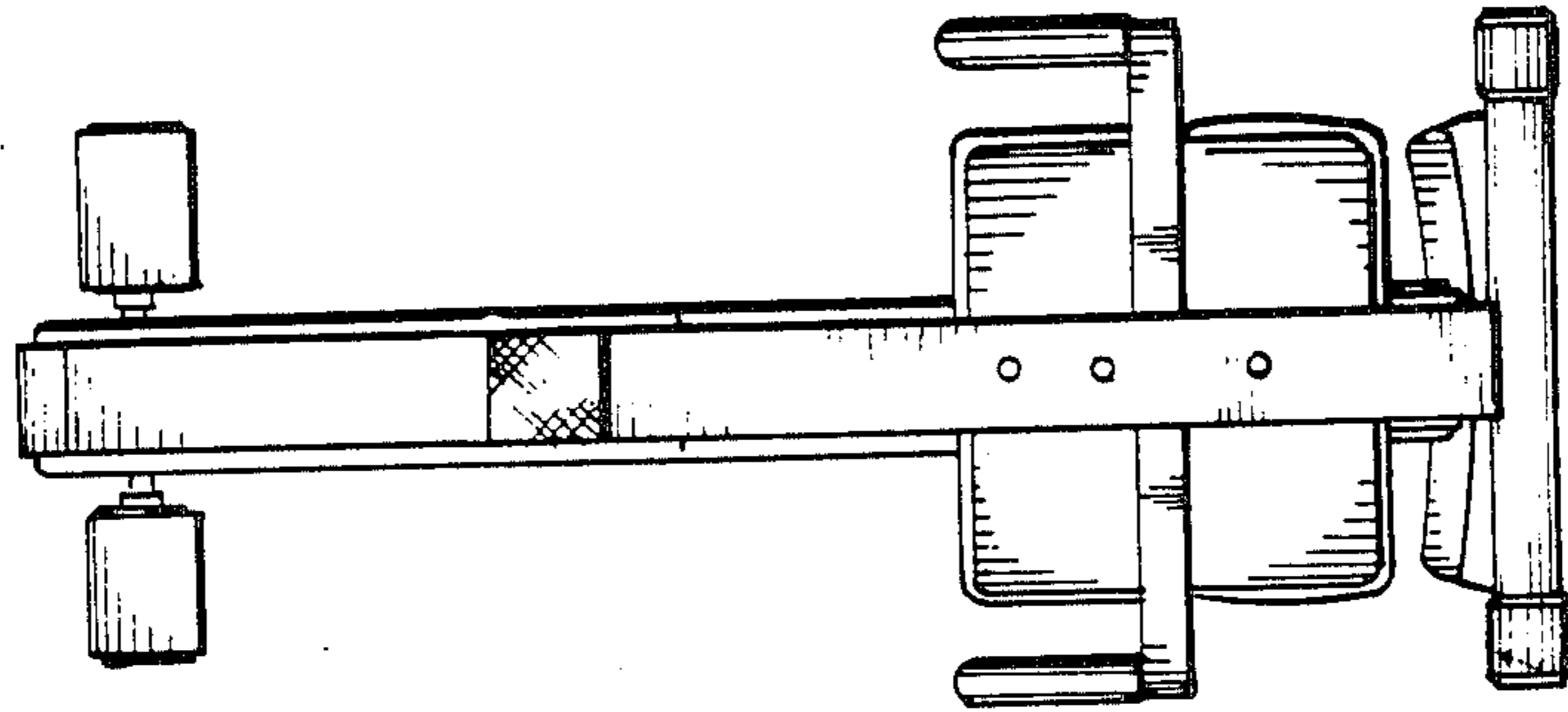




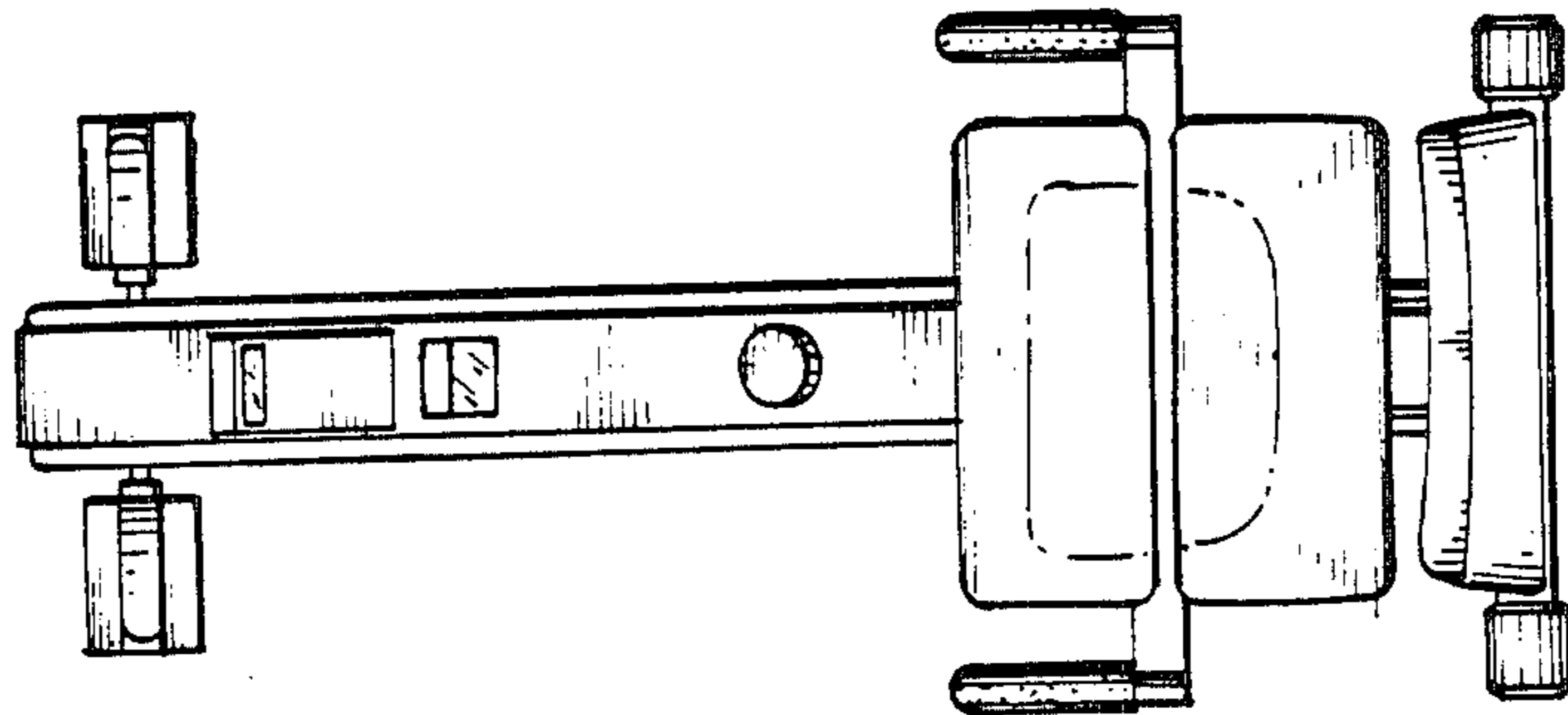
*Fig. 1.*



*Fig. 2.*



*Fig. 6.*



*Fig. 5.*

**UNITED STATES PATENT AND TRADEMARK OFFICE  
CERTIFICATE OF CORRECTION**

PATENT NO. : Des. 300,046

DATED : February 28, 1989

INVENTOR(S) : Armstrong et al

It is certified that error appears in the above-identified patent and that said Letters Patent is hereby corrected as shown below:

Title

Page in the "References Cited" section, add the following references:

U.S. Patent Documents

4,589,656	5/1986	Baldwin	272
-----------	--------	---------	-----

Other Information

Brochure entitled "3 Functions. One Machine." Triangle Manufacturing Corp., Morrisville, NC (1986)

Brochure entitled "The Chair," Paramount Consumer Sales Corp., Los Angeles, CA.

Brochure entitled "Introducing an exercise cycle about to knock the competition off their seats." AMF American, Jefferson, IA.

Brochure relating to the Marcy R/EM recumbent exercise module, Marcy Fitness Products.

**Signed and Sealed this  
Twenty-ninth Day of August, 1989**

*Attest:*

DONALD J. QUIGG

*Attesting Officer*

*Commissioner of Patents and Trademarks*