

[54] **ADJUSTABLE EXERCISE BENCH**

[75] **Inventor: Sherman P. Grider, Walnut, Calif.**

[73] **Assignee: Bollinger Industries, Irving, Tex.**

[\*\*] **Term: 14 Years**

[21] **Appl. No.: 916,060**

[22] **Filed: Oct. 6, 1986**

[52] **U.S. Cl. .... D21/191; D6/365;  
D6/368**

[58] **Field of Search ..... D21/191-199;  
D6/365, 368; 272/143, 144, 125, 134, 133, 136**

[56] **References Cited**

**U.S. PATENT DOCUMENTS**

D. 207,102	3/1967	Hennessey	.....	D6/365
D. 252,237	7/1979	Demaio	.....	D21/197
D. 262,810	1/1982	Lynn	.....	D21/191
D. 277,219	1/1985	Johnson	.....	D21/191
D. 294,891	3/1988	Gyaami	.....	D6/368

*Primary Examiner*—Charles A. Rademaker  
*Attorney, Agent, or Firm*—Boniard I. Brown

[57] **CLAIM**

The ornamental design for an adjustable exercise bench, as shown and described.

**DESCRIPTION**

FIG. 1 is a side perspective view of an adjustable exercise bench showing my new design;  
FIG. 2 is a side elevational view thereof shown on a smaller scale and in an alternate position;  
FIG. 3 is another side elevational view thereof, the side opposite being substantially a mirror image;  
FIG. 4 is a rear elevational view thereof;  
FIG. 5 is a front elevational view thereof;  
FIG. 6 is a top plan view thereof; and  
FIG. 7 is a bottom plan view thereof.  
The broken line showing of exercise apparatus is for illustrative purposes only and forms no part of the claimed design.

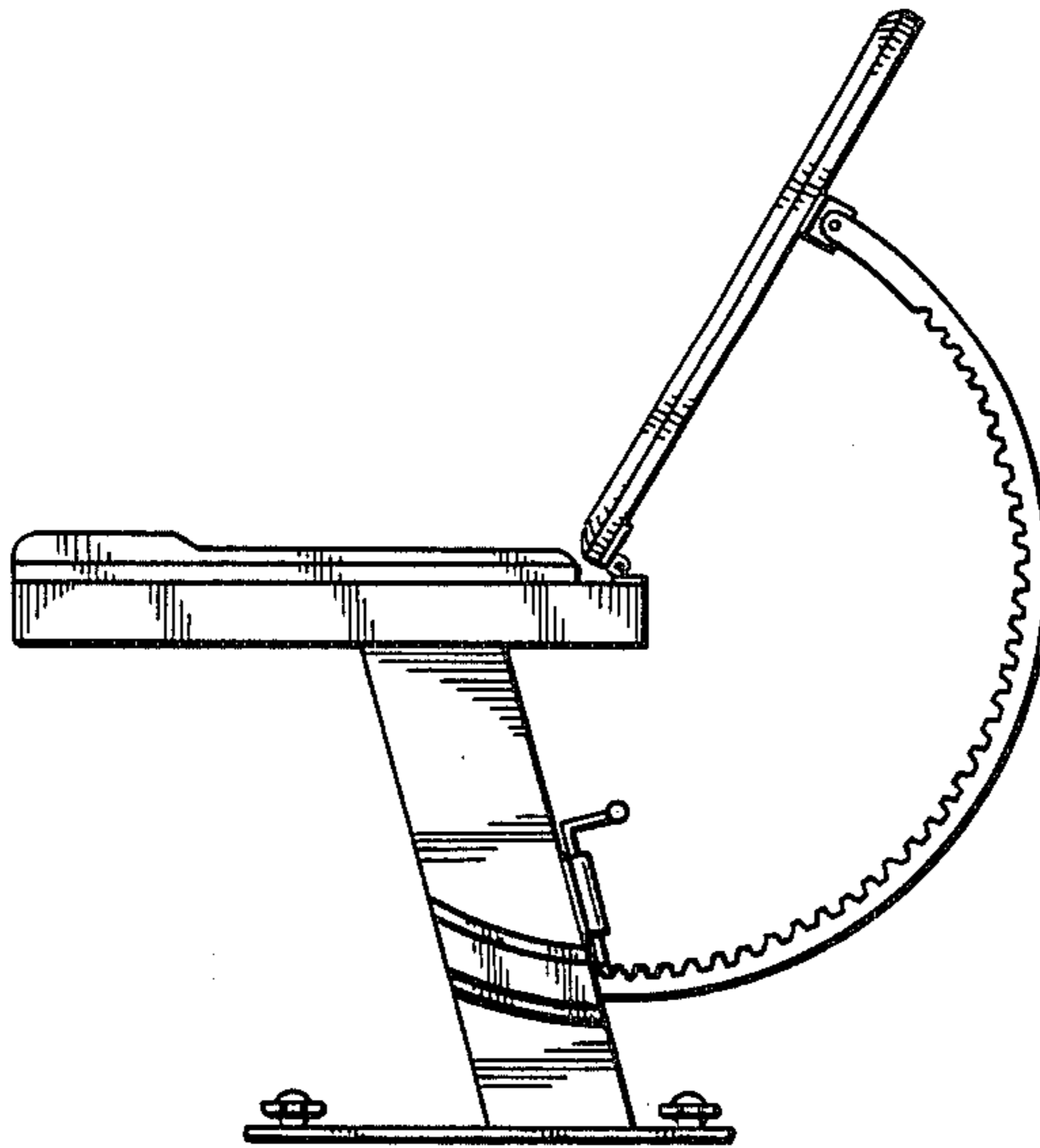


FIG. 1

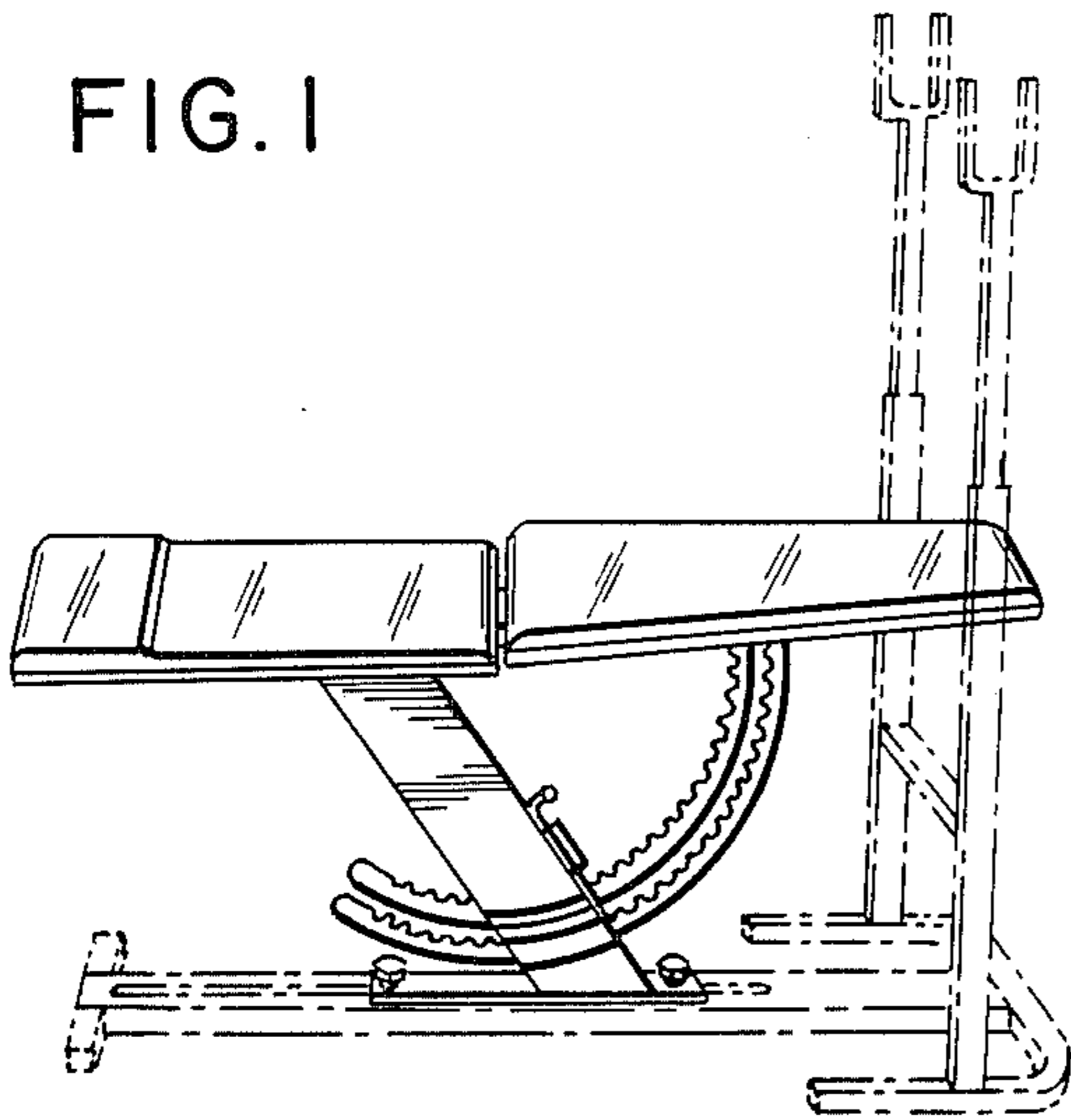


FIG. 2

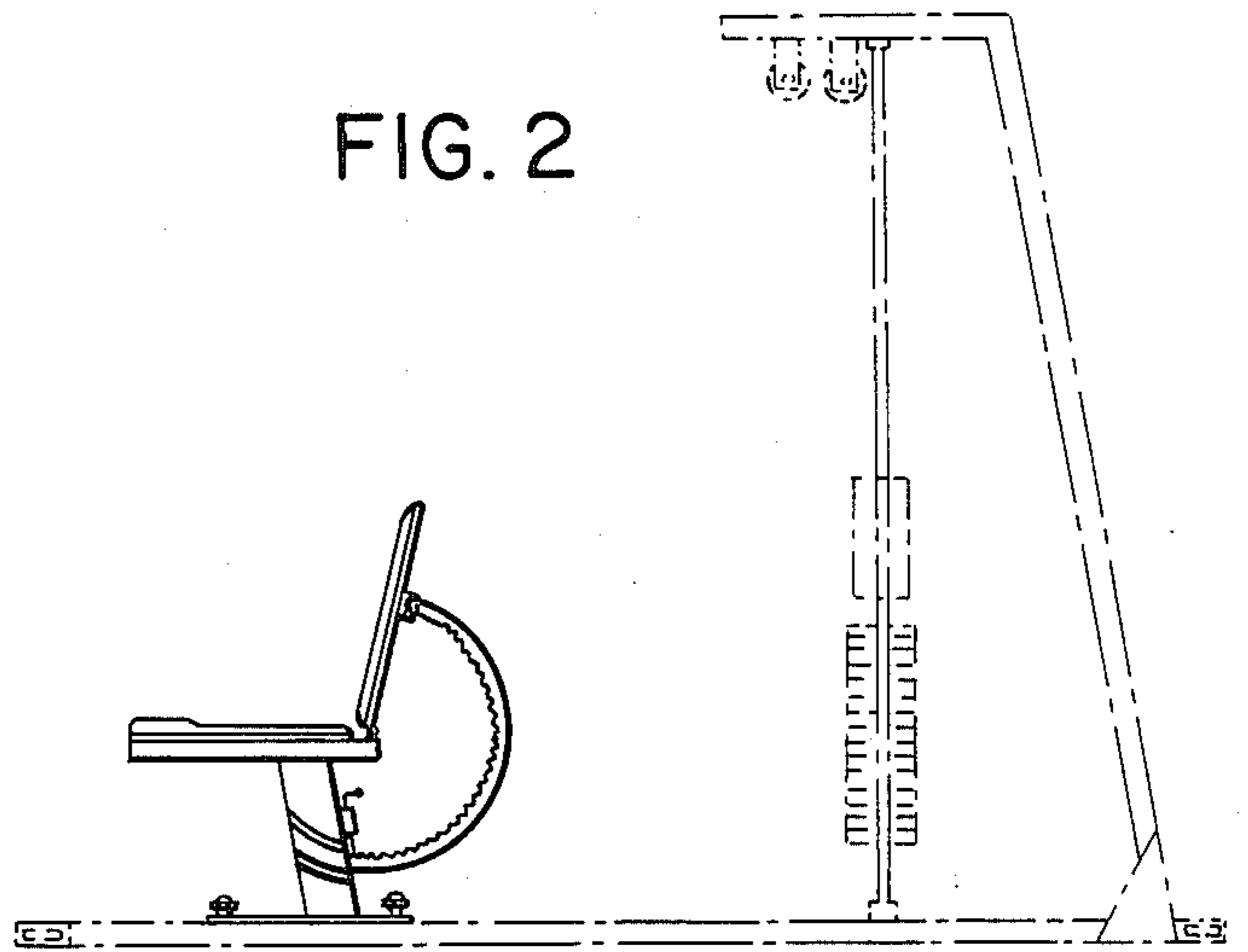


FIG. 3

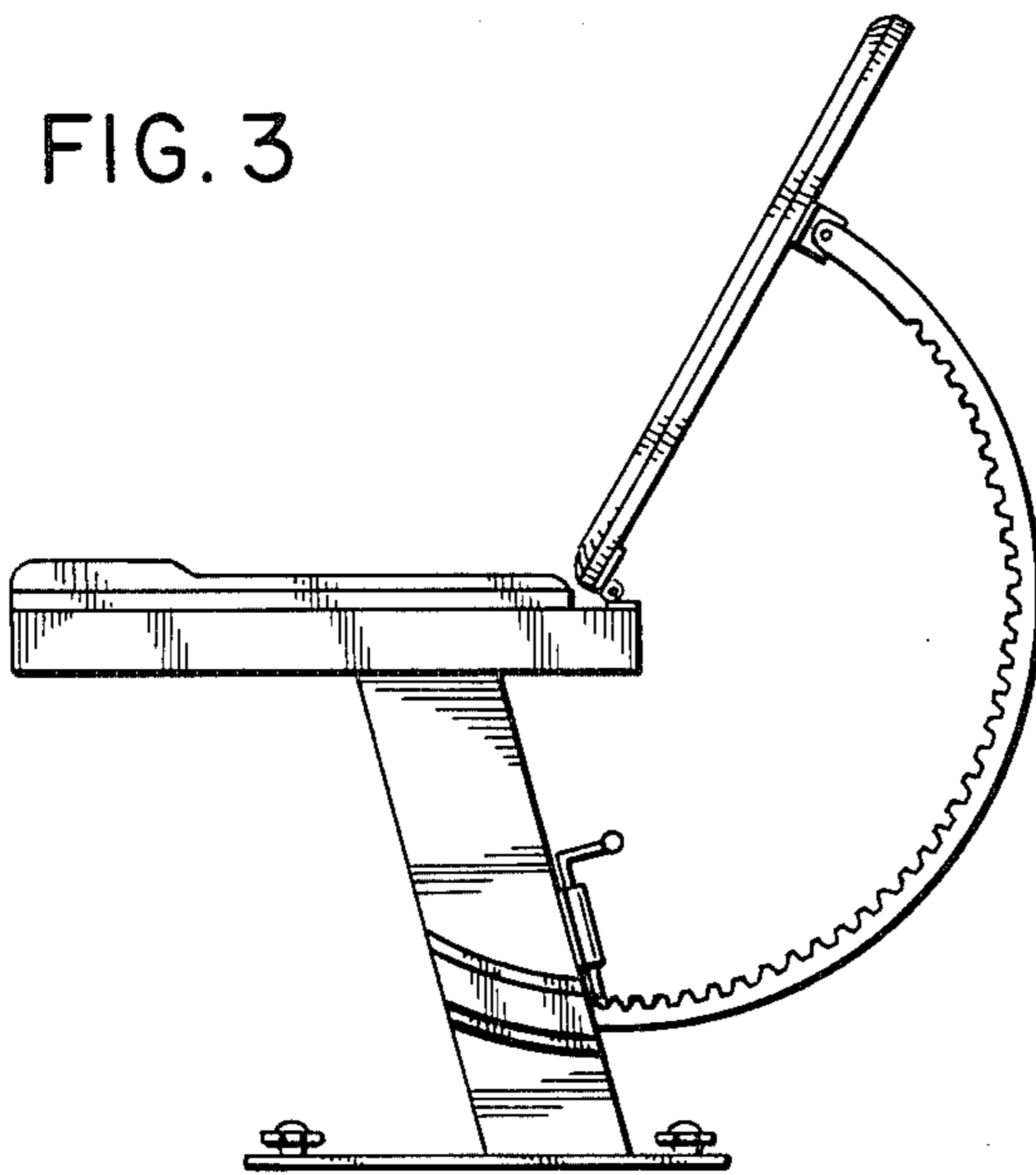


FIG. 4

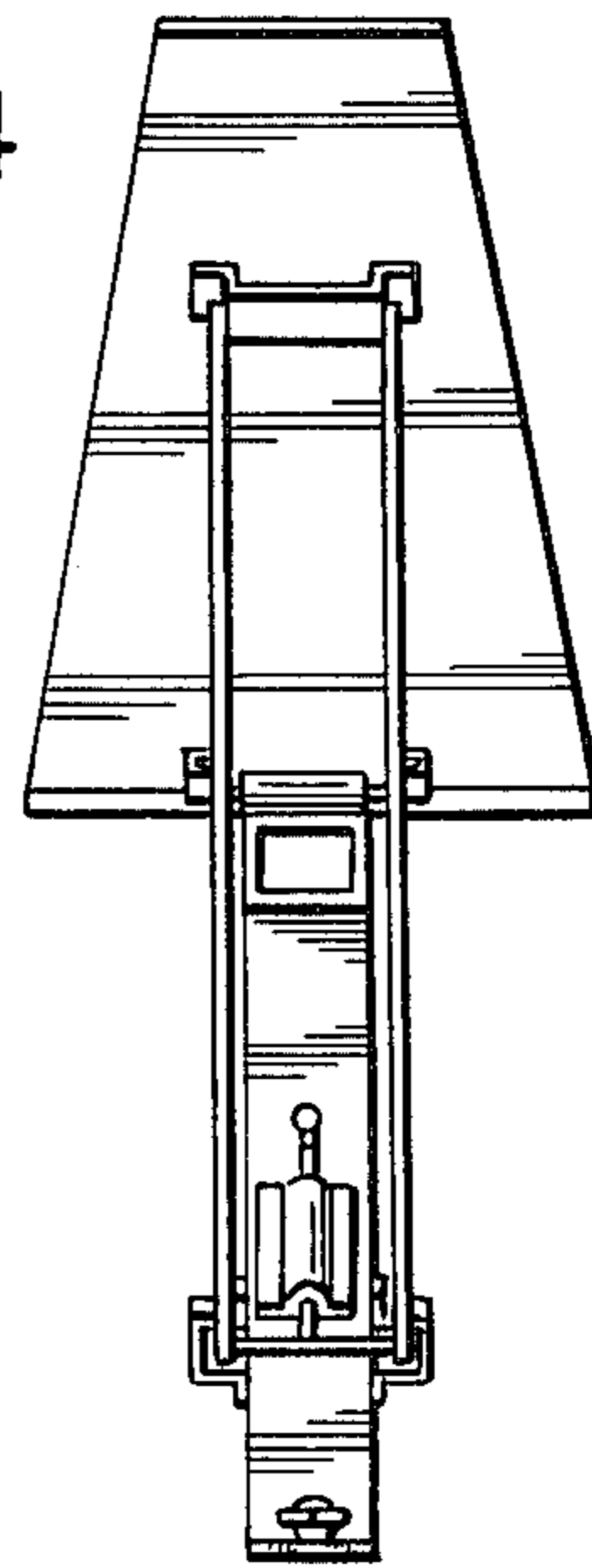


FIG. 5

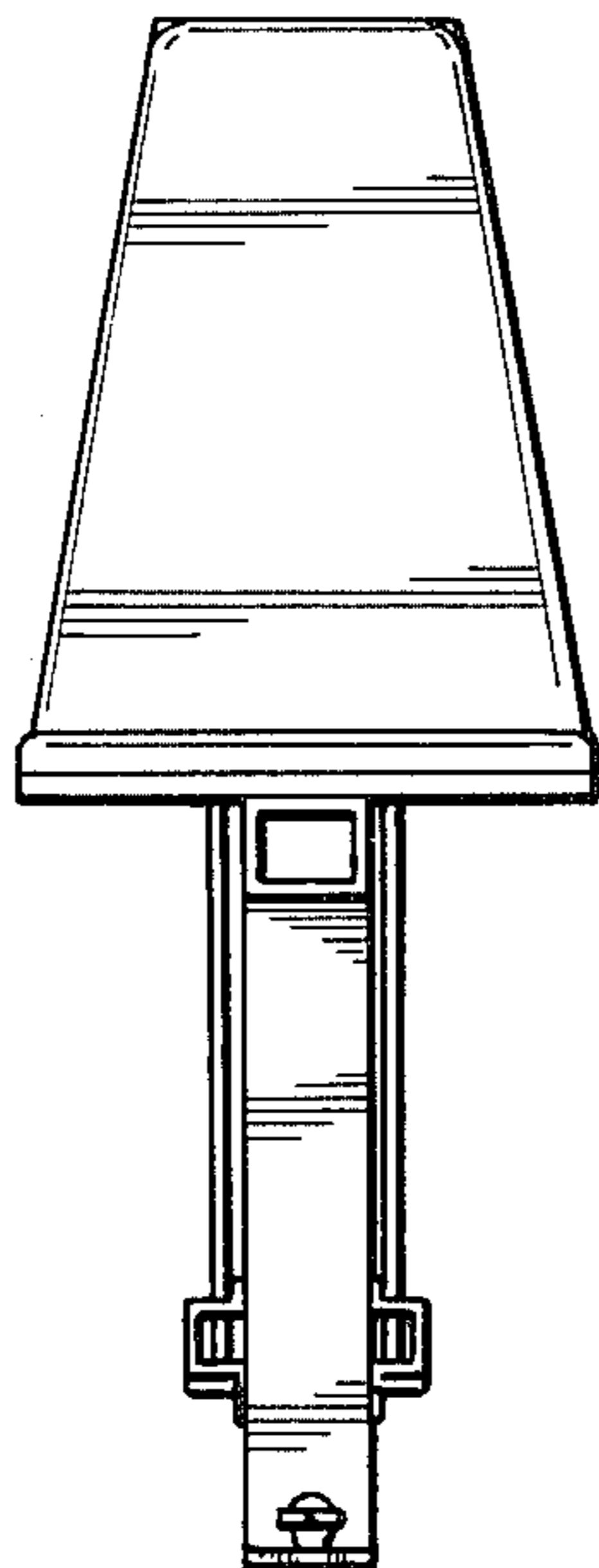


FIG. 6

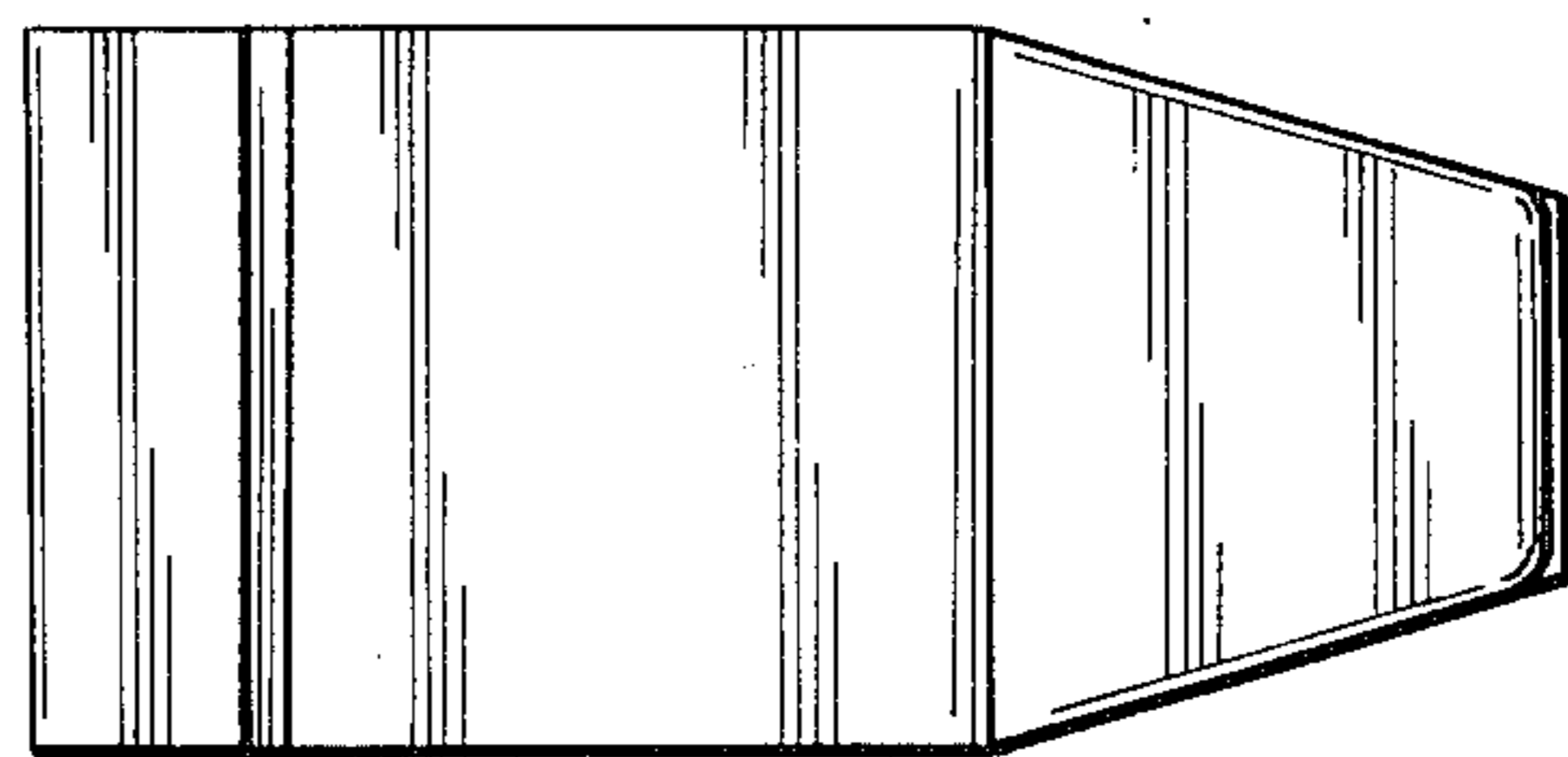


FIG. 7

