

[54] SIGN

[76] Inventor: Leslie M. Silverman, 55 Division St., San Francisco, Calif. 94103

[\*\*] Term: 14 Years

[21] Appl. No.: 847,002

[22] Filed: Mar. 27, 1986

[52] U.S. Cl. .... D20/10

[58] Field of Search ..... D20/10, 17-21, D20/41, 42, 43; 40/541, 564, 568, 575, 576, 597, 598, 584, 605, 606, 607, 611, 612, 617

[56] References Cited

U.S. PATENT DOCUMENTS

D. 171,909	4/1954	Nelson	.....	D20/10
3,866,343	2/1975	Frost et al.	.....	40/585
3,874,103	4/1975	Muta	.....	40/611
3,905,139	9/1975	Cooper	.....	40/568 X

Primary Examiner—Susan J. Lucas  
Attorney, Agent, or Firm—Lieberman Rudolph & Nowak

[57] CLAIM

The ornamental design for a sign, as shown and described.

DESCRIPTION

FIG. 1 is a front perspective view of a sign embodying my new design;

FIG. 2 is a front elevational view thereof on a reduced scale;

FIG. 3 is a left side elevational view thereof on a reduced scale;

FIG. 4 is a right side elevational view thereof on a reduced scale;

FIG. 5 is a top plan view thereof on a reduced scale;

FIG. 6 is a bottom plan view thereof on a reduced scale;

FIG. 7 is a rear elevational view thereof on a reduced scale;

FIG. 8 is a fragmentary perspective view of the top, right corner of the sign on an enlarged scale, the sign being fragmentarily shown for convenience of illustration;

FIG. 9 is a front perspective view of a second embodiment of my new design, the second embodiment differing from the first only in the configuration on the interior front panel;

FIG. 10 is a front perspective of a third embodiment of my new design, the third embodiment differing from the first embodiment only in the configuration of the interior front panel.

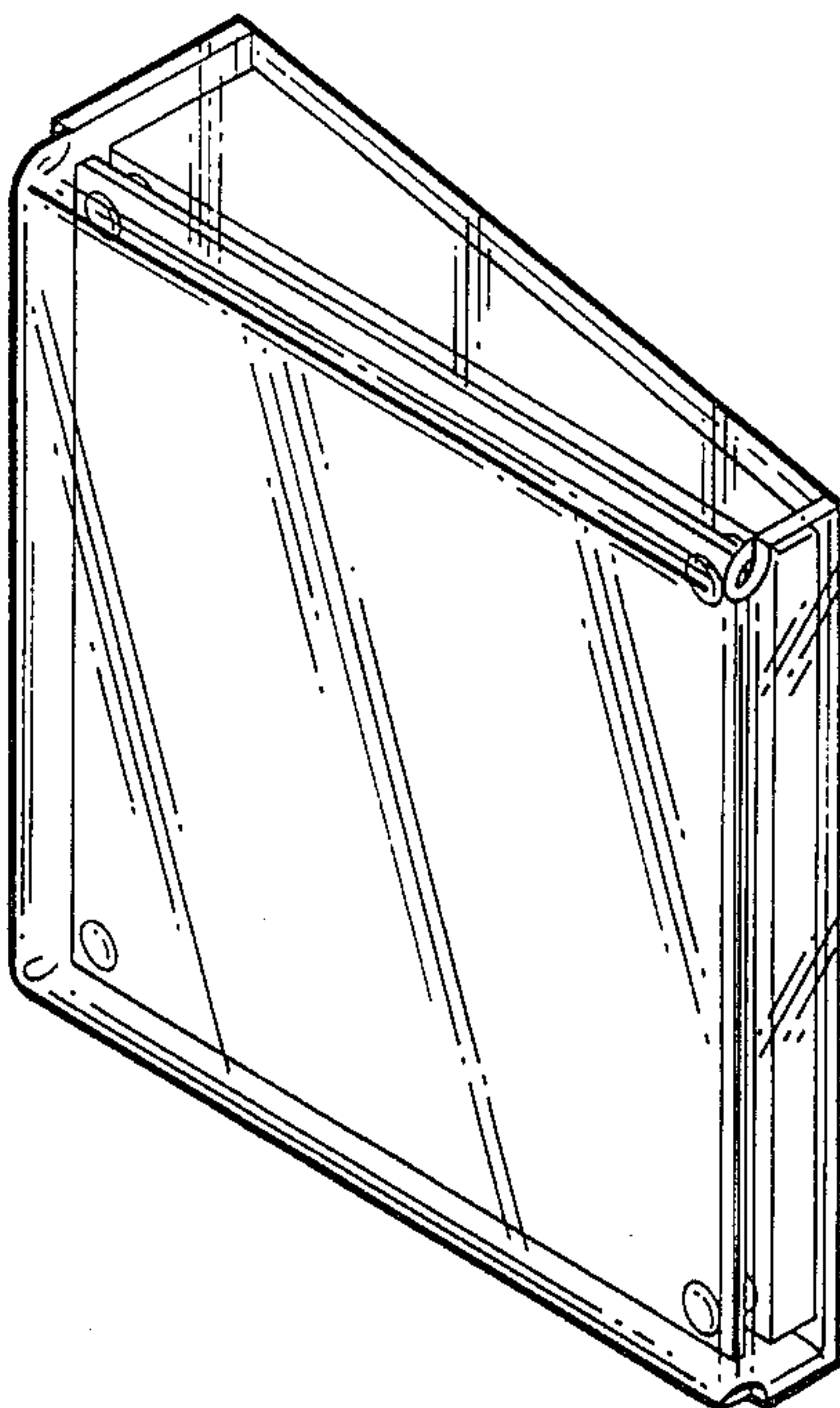


FIGURE 1

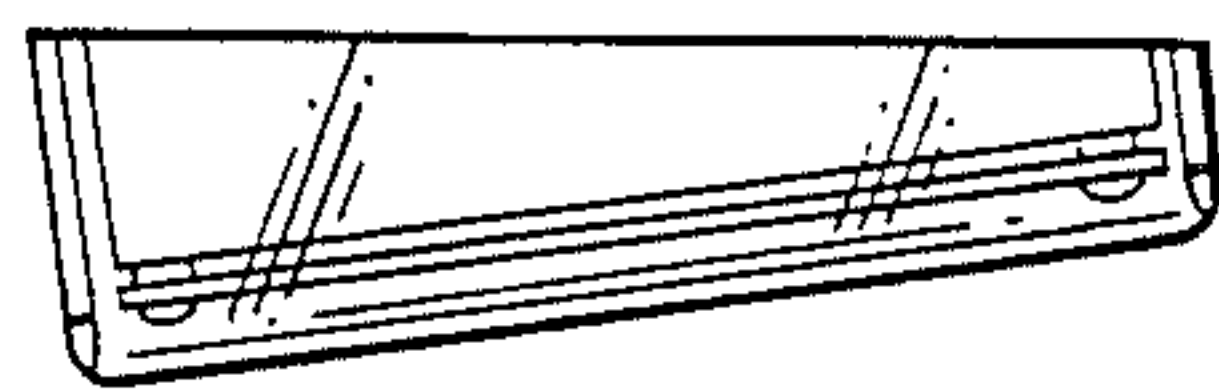
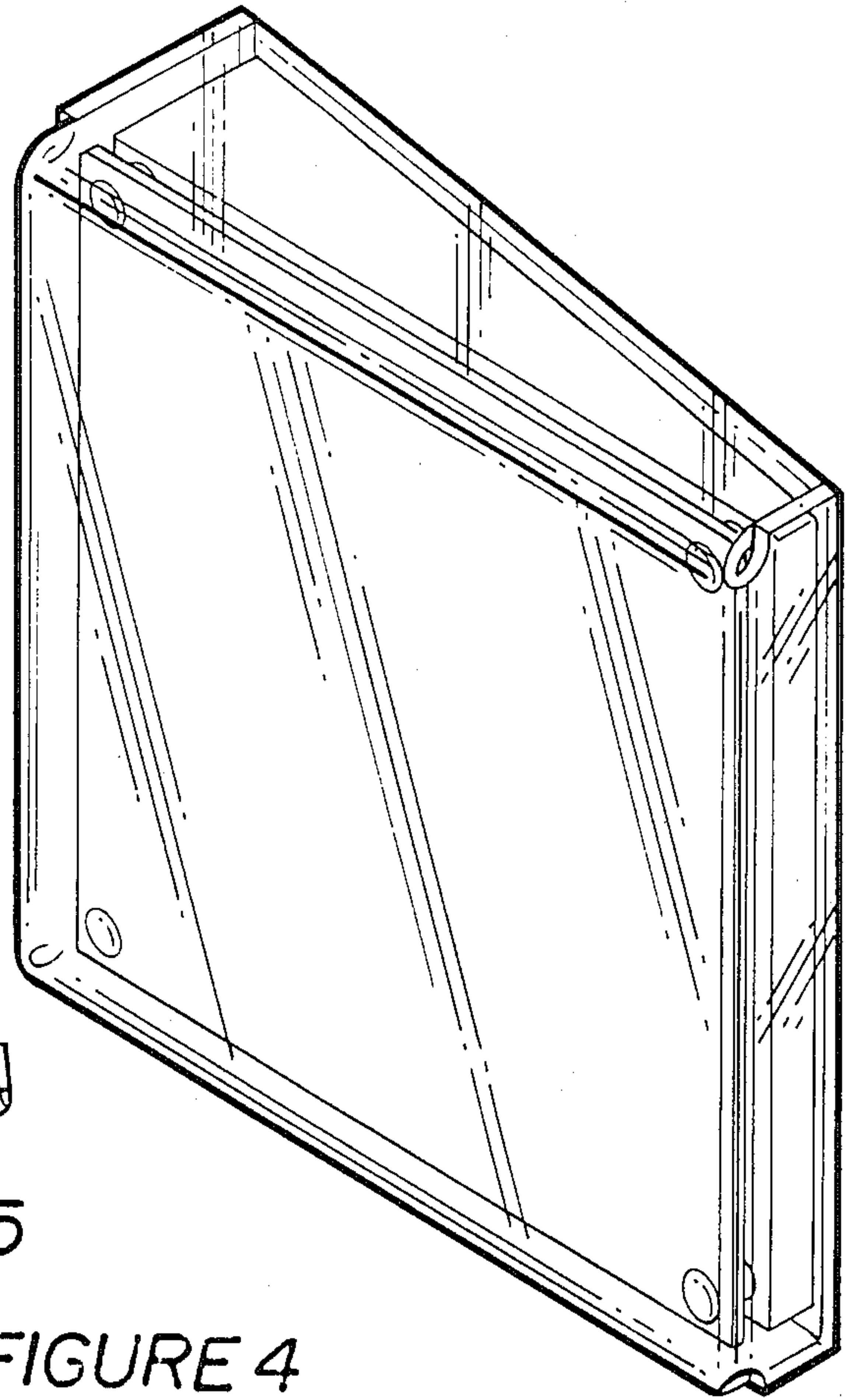


FIGURE 5

FIGURE 3



FIGURE 4

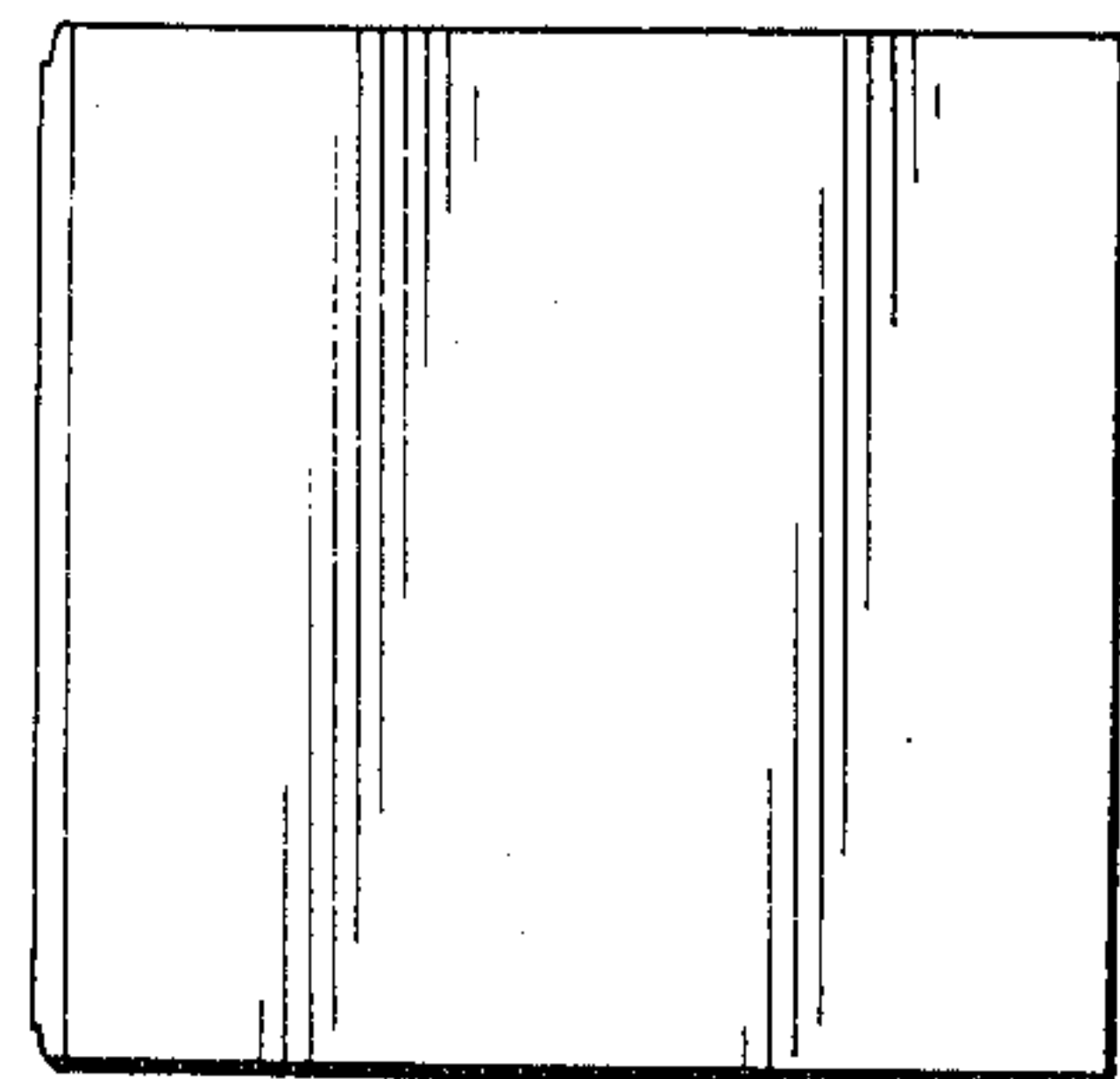
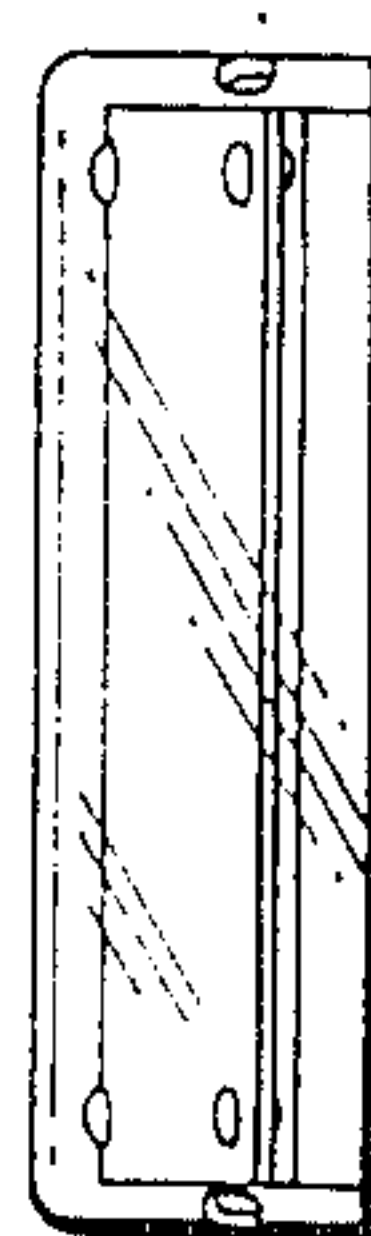
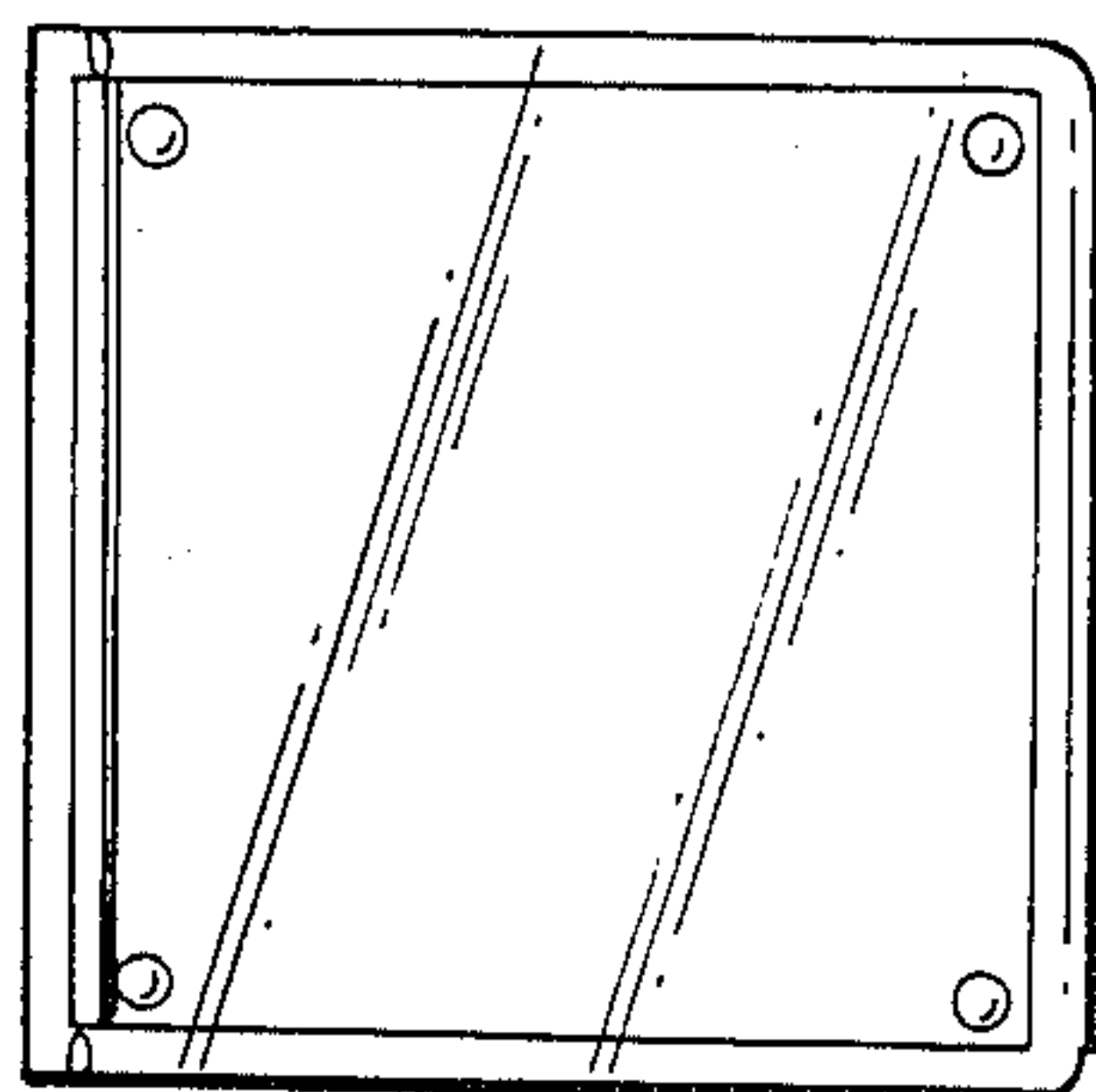


FIGURE 2

FIGURE 7

FIGURE 6





FIGURE 8

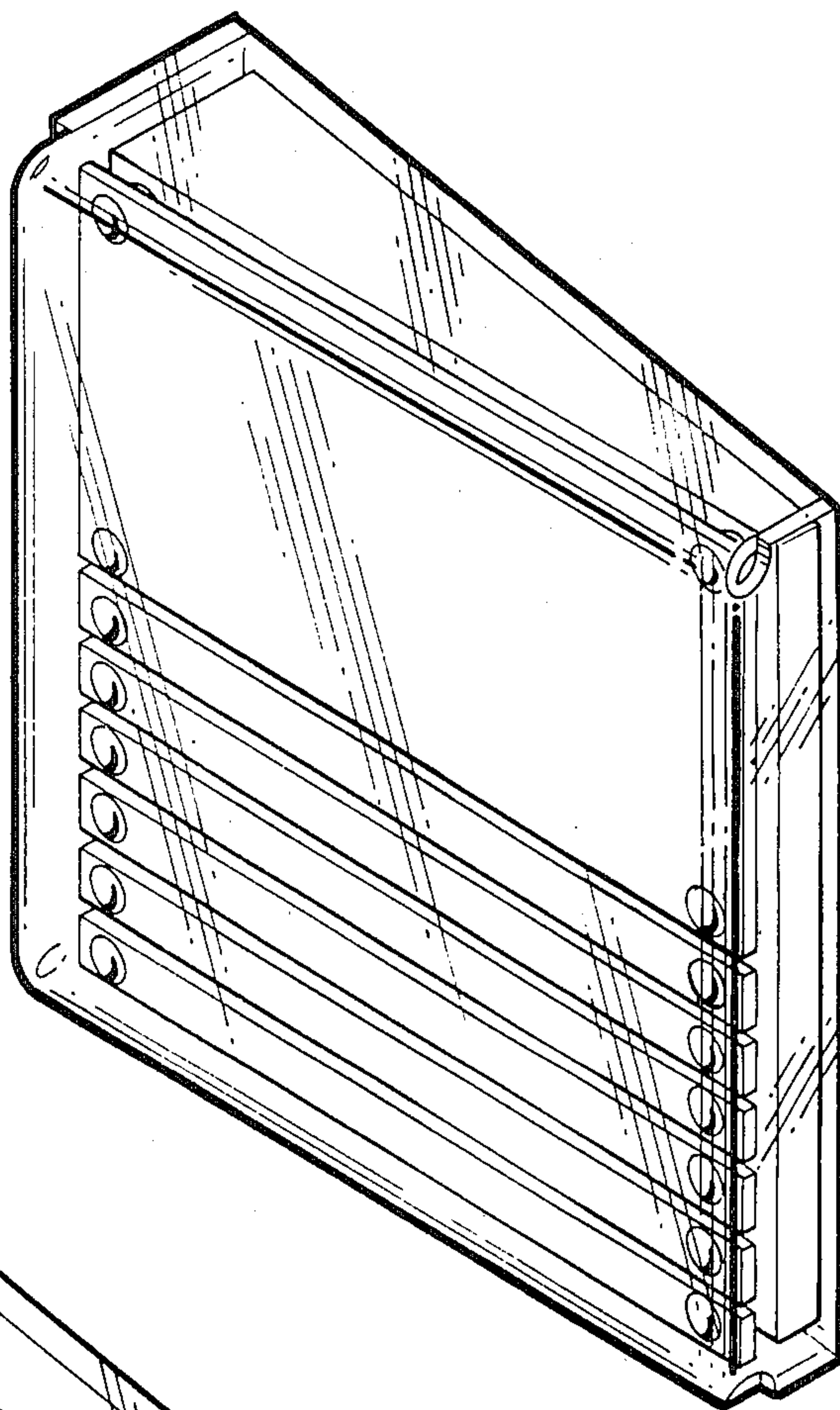
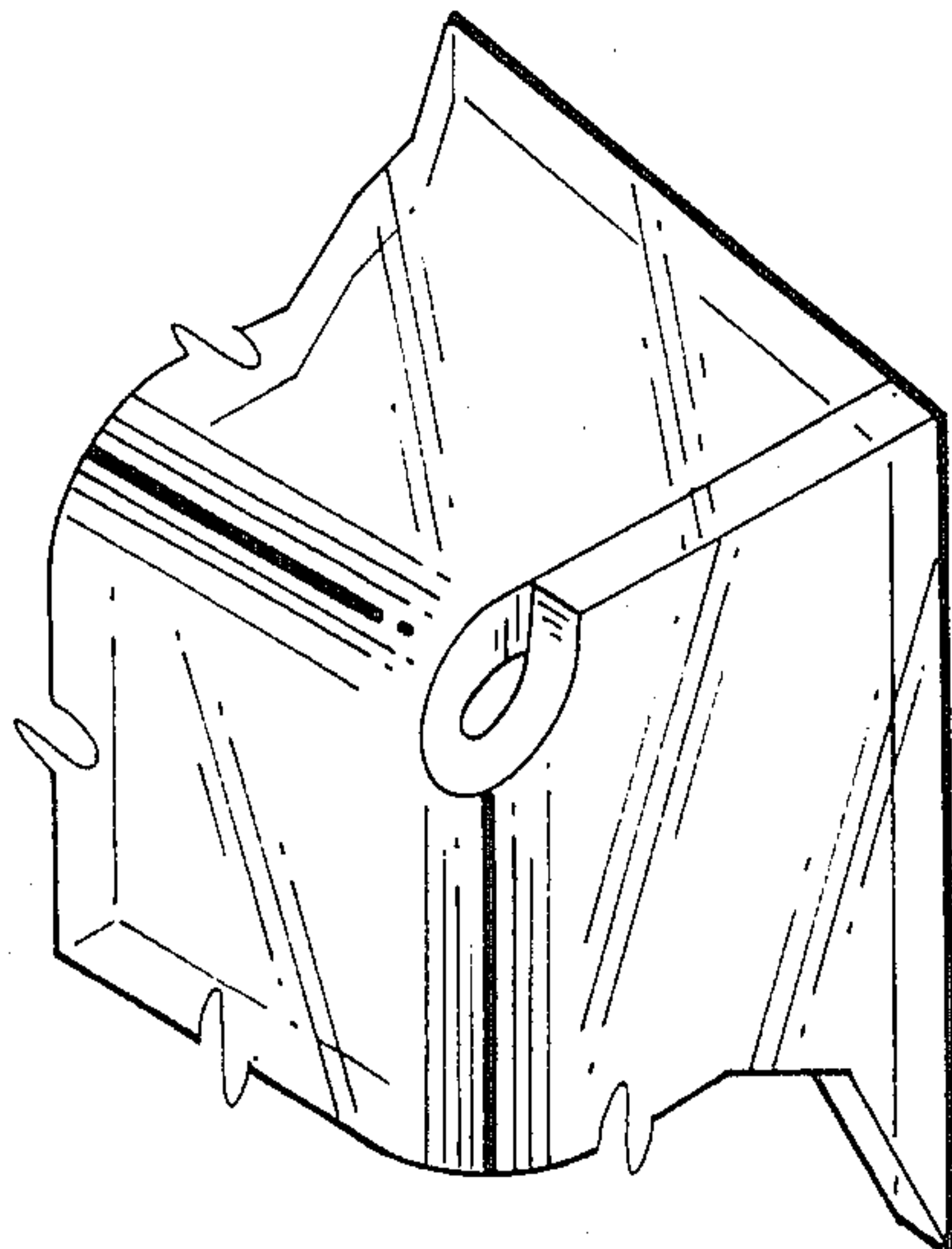


FIGURE 9

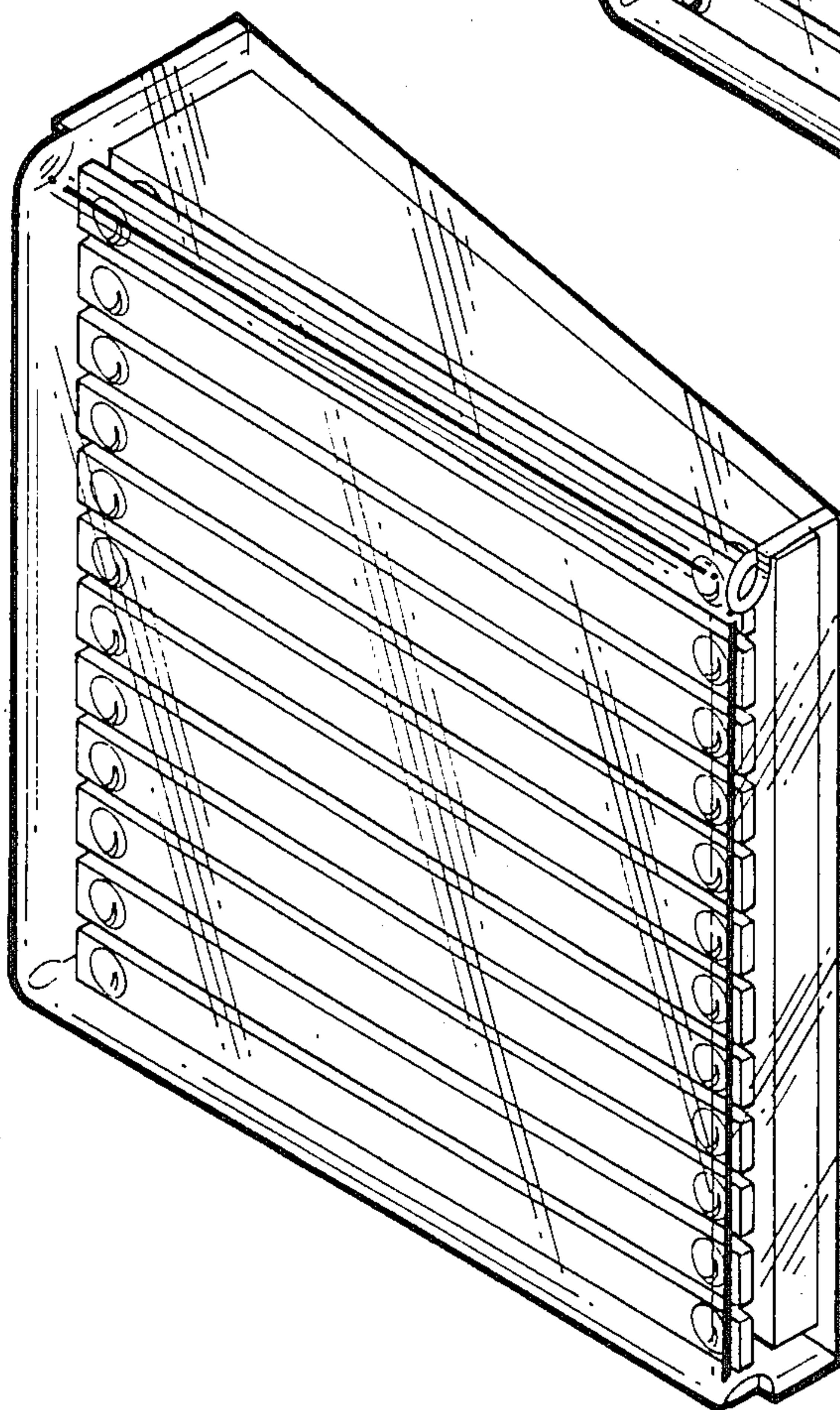


FIGURE 10