

[54] ELECTRONIC WHITEBOARD AND PHOTOCOPIER

[75] Inventors: Shigeru Kurozumi; Harumi Sakamoto, both of Osaka, Japan

[73] Assignee: Sharp Corporation, Osaka, Japan

[**] Term: 14 Years

[21] Appl. No.: 757,538

[22] Filed: Jul. 22, 1985

[30] Foreign Application Priority Data

Jan. 22, 1985 [JP] Japan 60-1926

[52] U.S. Cl. D19/52

[58] Field of Search D19/35, 36, 52, 65, D19/95, 99, 100; 248/441.1, 454, 457, 458; 355/3 R, 5, 7; D16/27, 30

[56] References Cited

U.S. PATENT DOCUMENTS

D. 213,625 3/1969 Jensen D19/52

OTHER PUBLICATIONS

Beckley-Cardy Company School Buyer's Guide-School Year, 1959-1960, p. 64A-Style M.

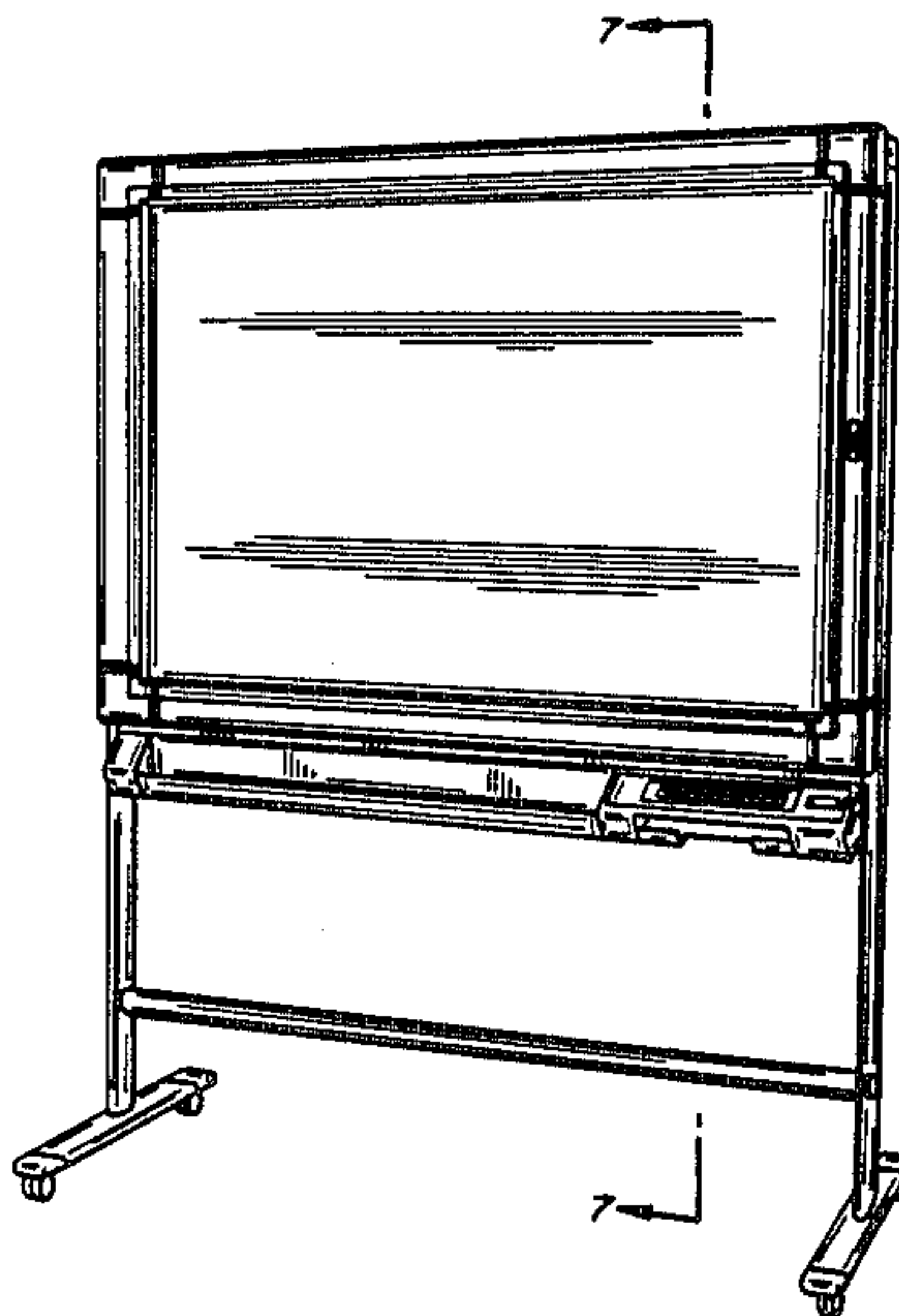
Primary Examiner—Bernard Ansher
Assistant Examiner—Theodore M. Shooman
Attorney, Agent, or Firm—Flehr, Hohbach, Test, Albritton & Herbert

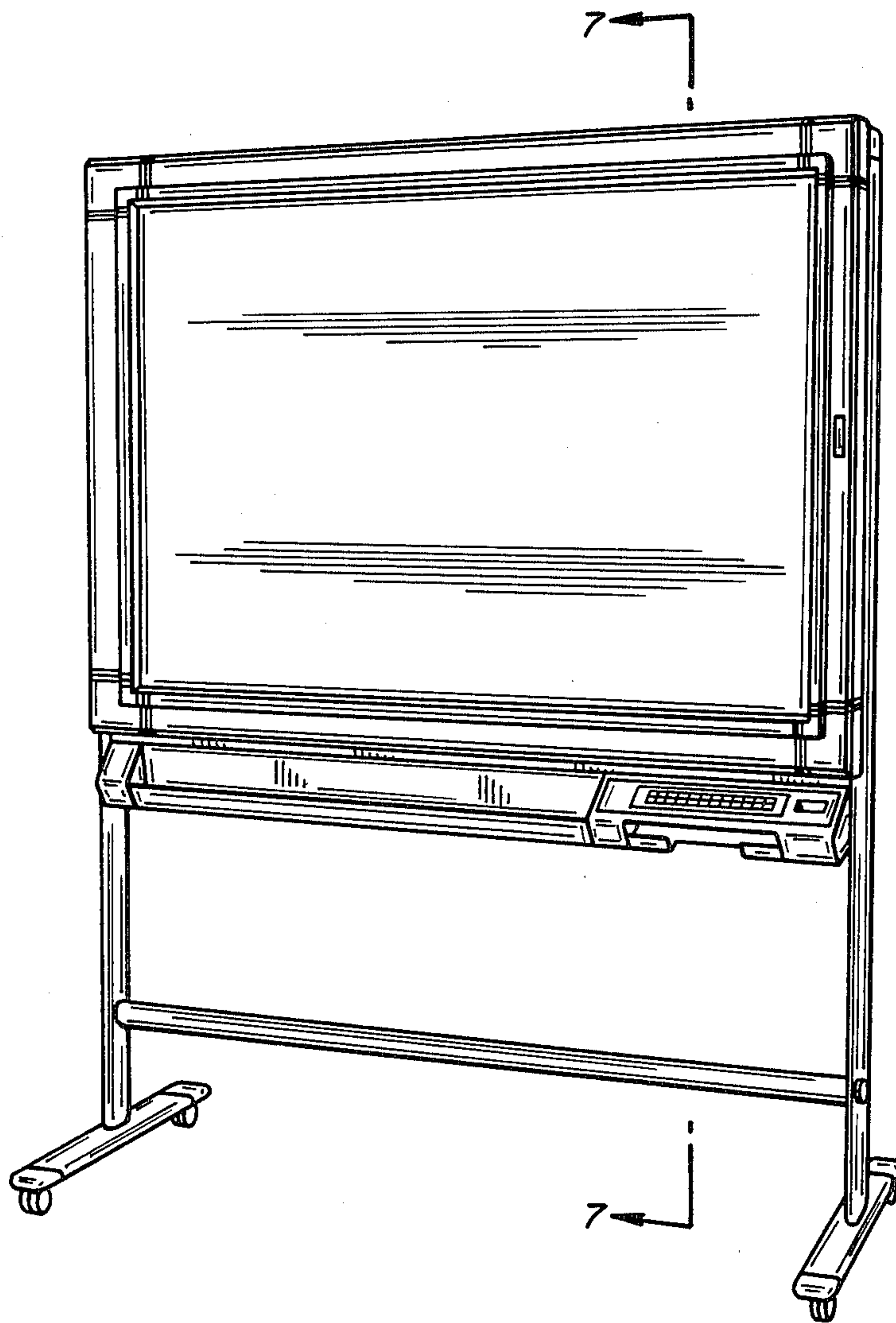
[57] CLAIM

The ornamental design for an electronic whiteboard and photocopier, as shown and described.

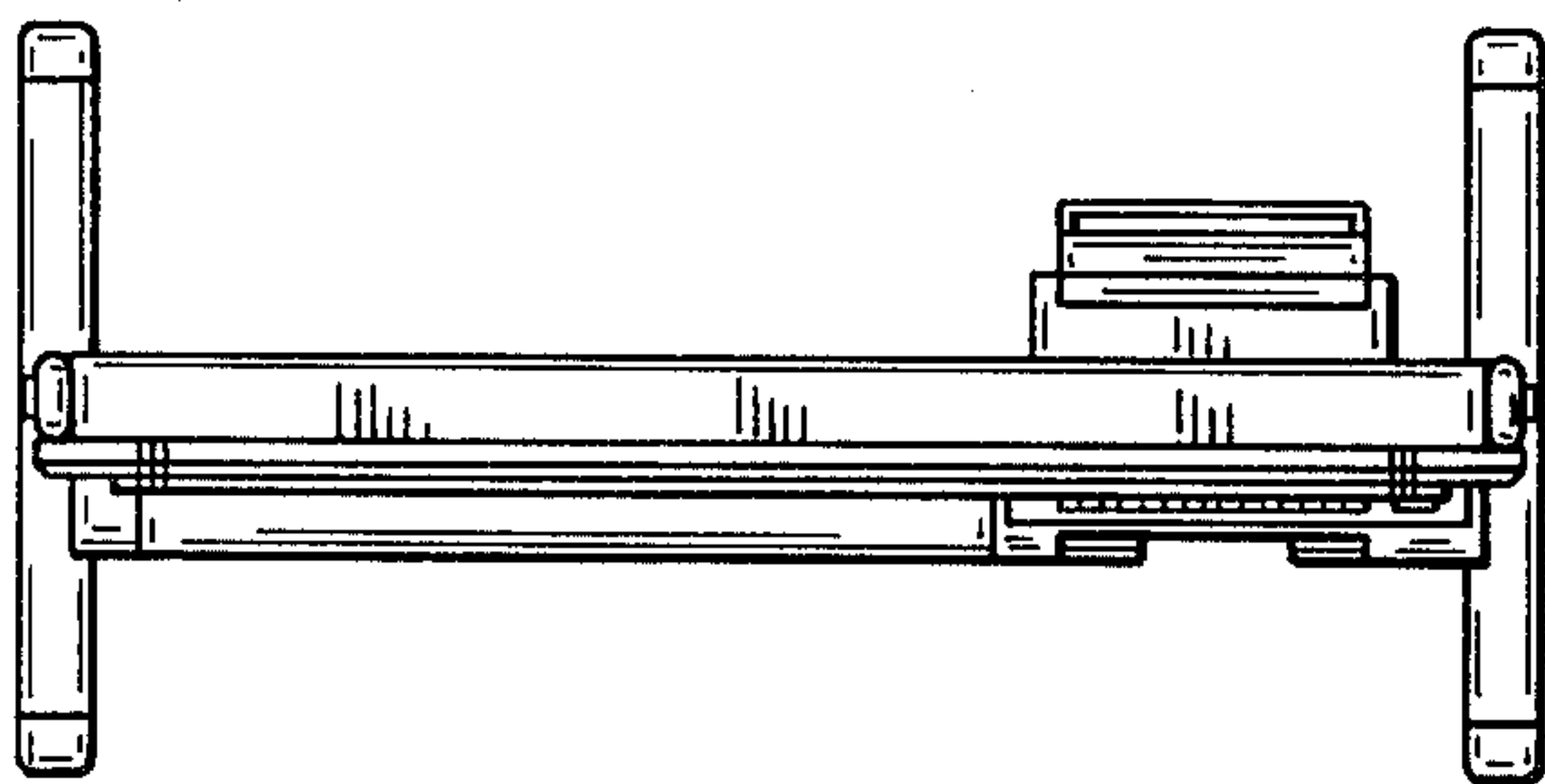
DESCRIPTION

FIG. 1 is a front and right side perspective view of the electronic whiteboard and photocopier showing our new design;
FIG. 2 is a front elevational view thereof;
FIG. 3 is a rear elevational view thereof;
FIG. 4 is a top plan view thereof;
FIG. 5 is a bottom plan view thereof;
FIG. 6 is a right side elevational view thereof, the left side elevational view being a mirror image thereof; and
FIG. 7 is a sectional view thereof taken along the line 7-7 of FIG. 1.

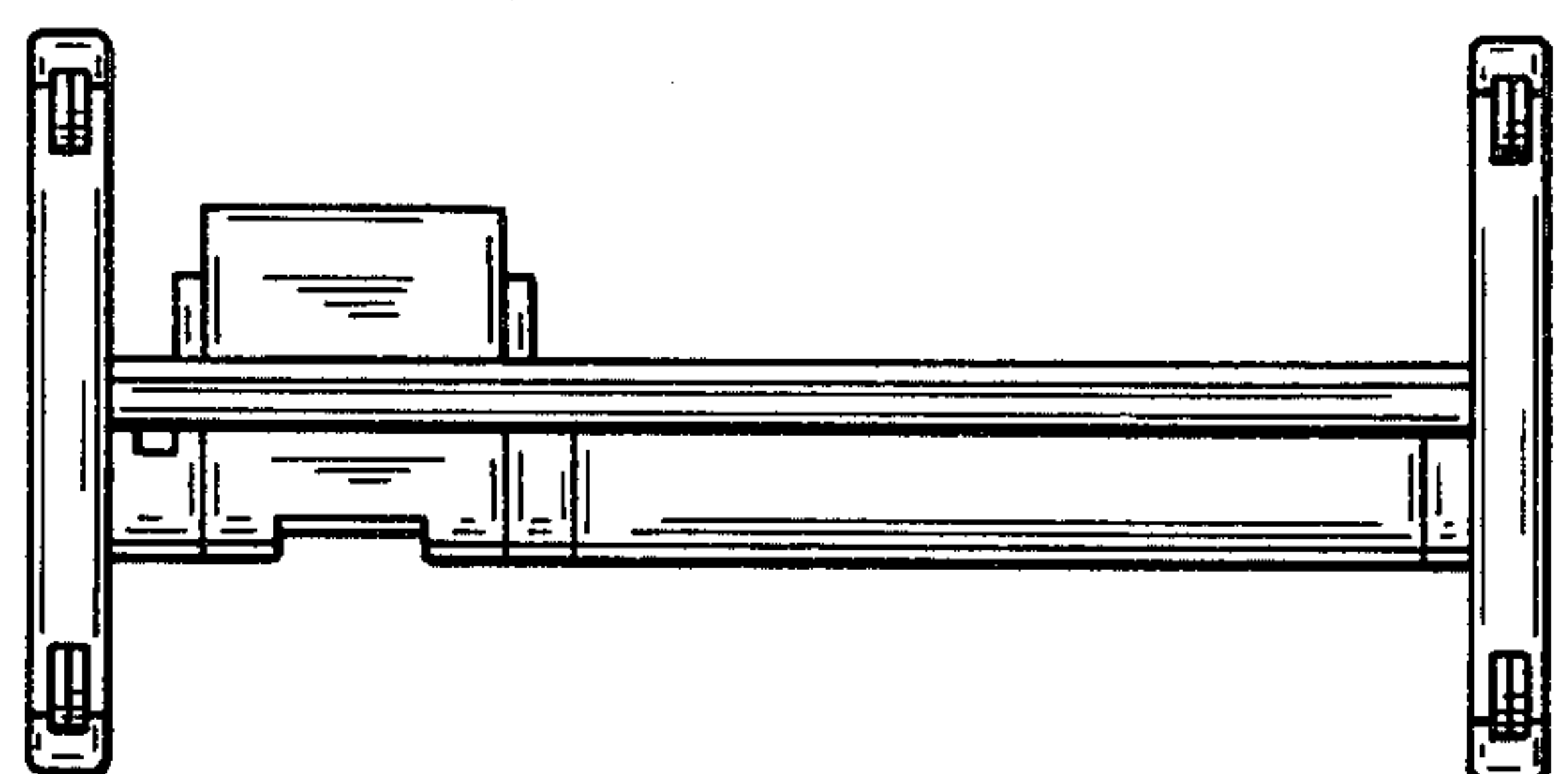




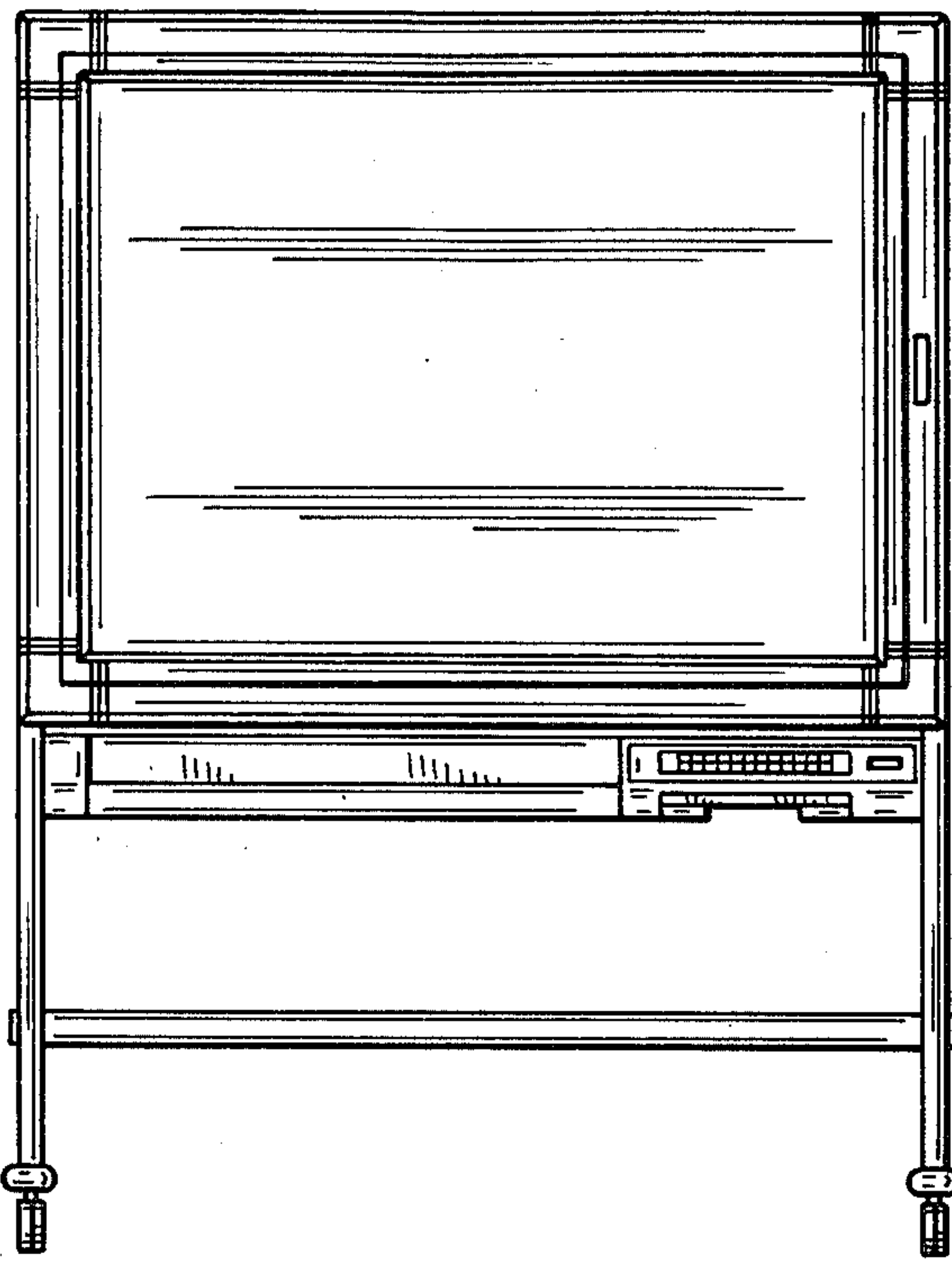
FIG_1



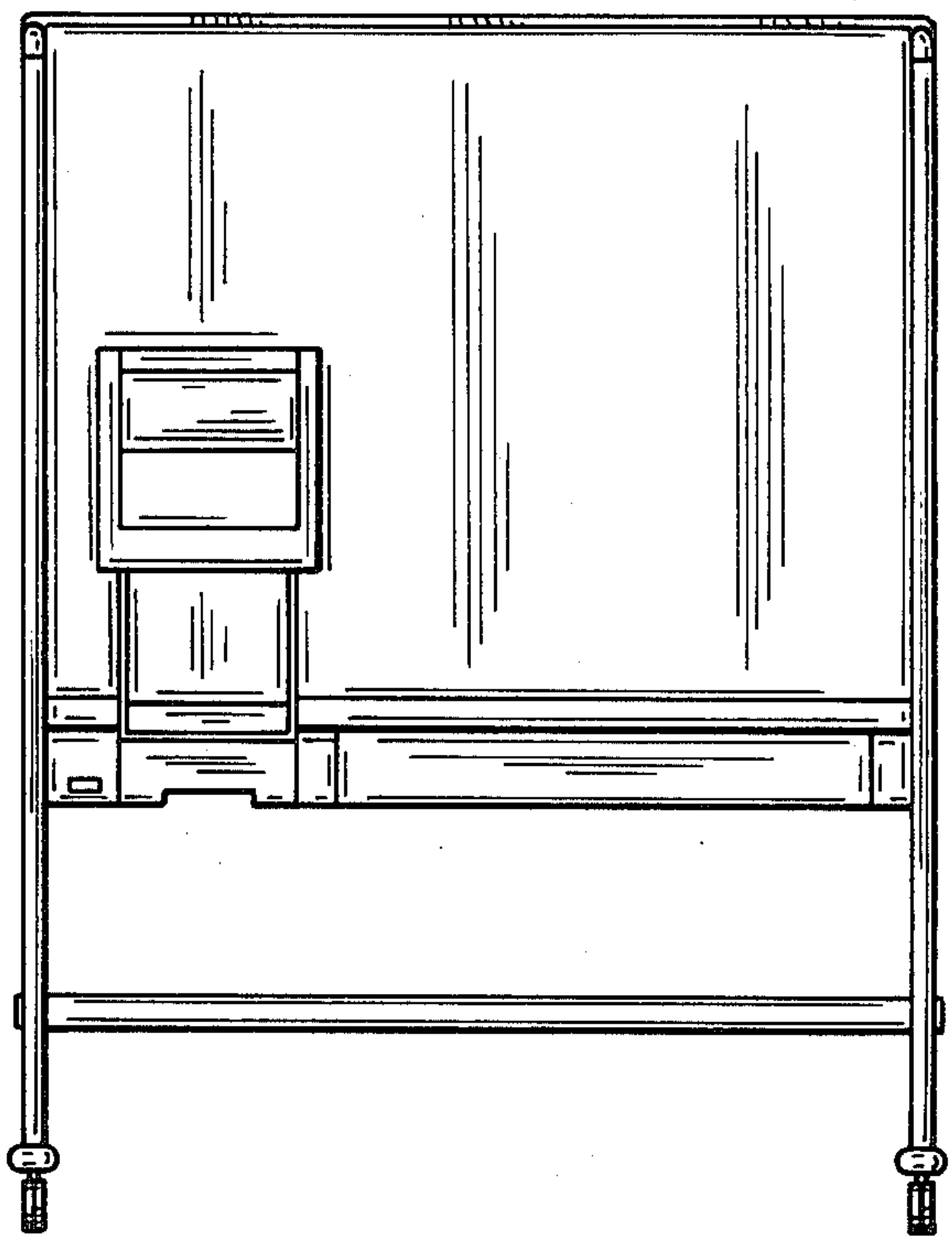
FIG_4



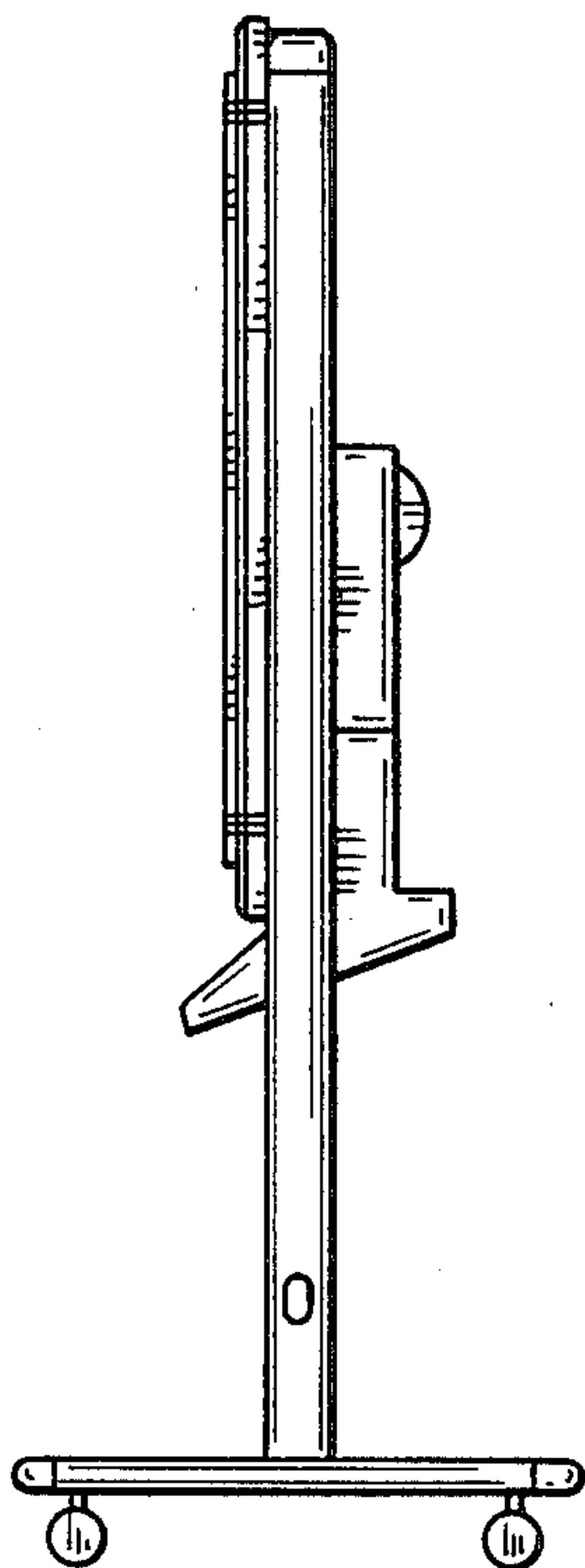
FIG_5



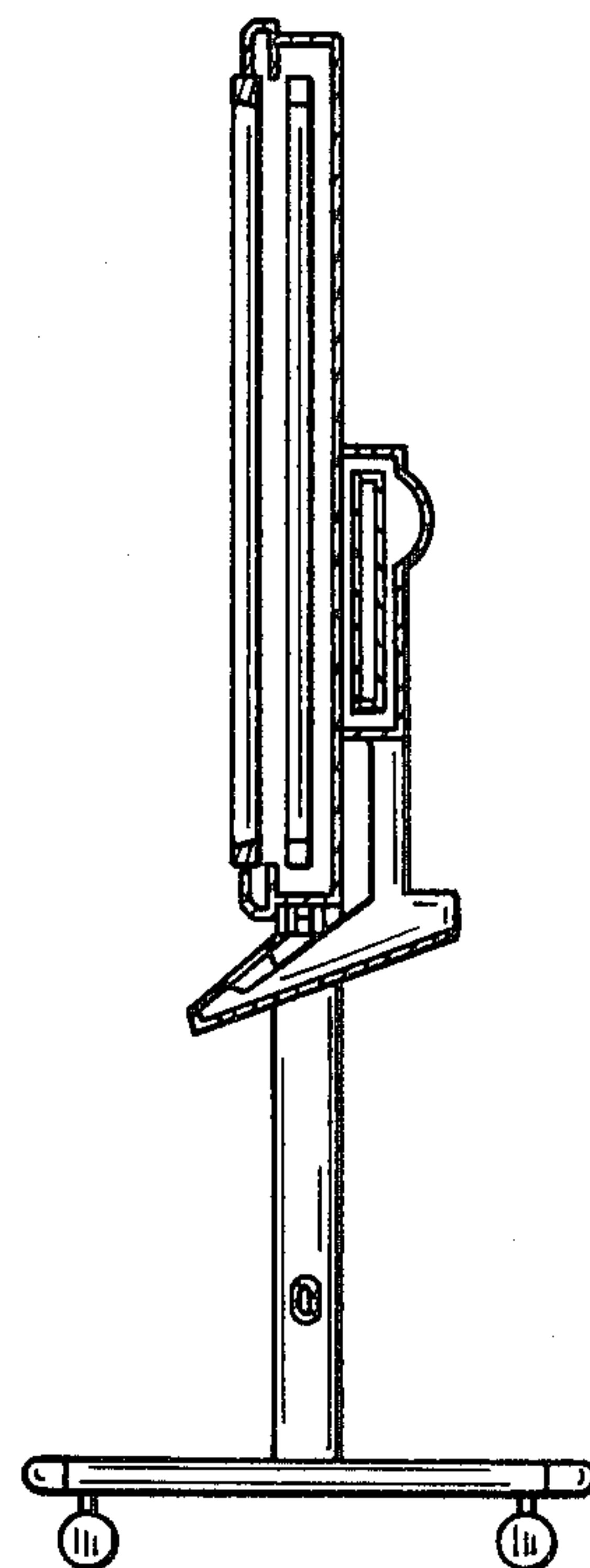
FIG_2



FIG_3



FIG_6



FIG_7