

[54] **SPOTTING TELESCOPE**

[75] **Inventor: Claus O. Huckenbeck, Tehachapi, Calif.**

[73] **Assignee: Bausch & Lomb Incorporated, Rochester, N.Y.**

[**] **Term: 14 Years**

[21] **Appl. No.: 834,489**

[22] **Filed: Feb. 21, 1986**

[52] **U.S. Cl. D16/132**

[58] **Field of Search D16/132, 130; 350/537, 350/560, 562-569**

[56] **References Cited**

U.S. PATENT DOCUMENTS

- D. 215,355 9/1969 Weatherby et al. D16/132
- D. 219,623 12/1970 Bushnell D16/132
- D. 288,210 2/1987 Mise D16/132
- 3,028,792 4/1962 Krajowsky et al. 350/560

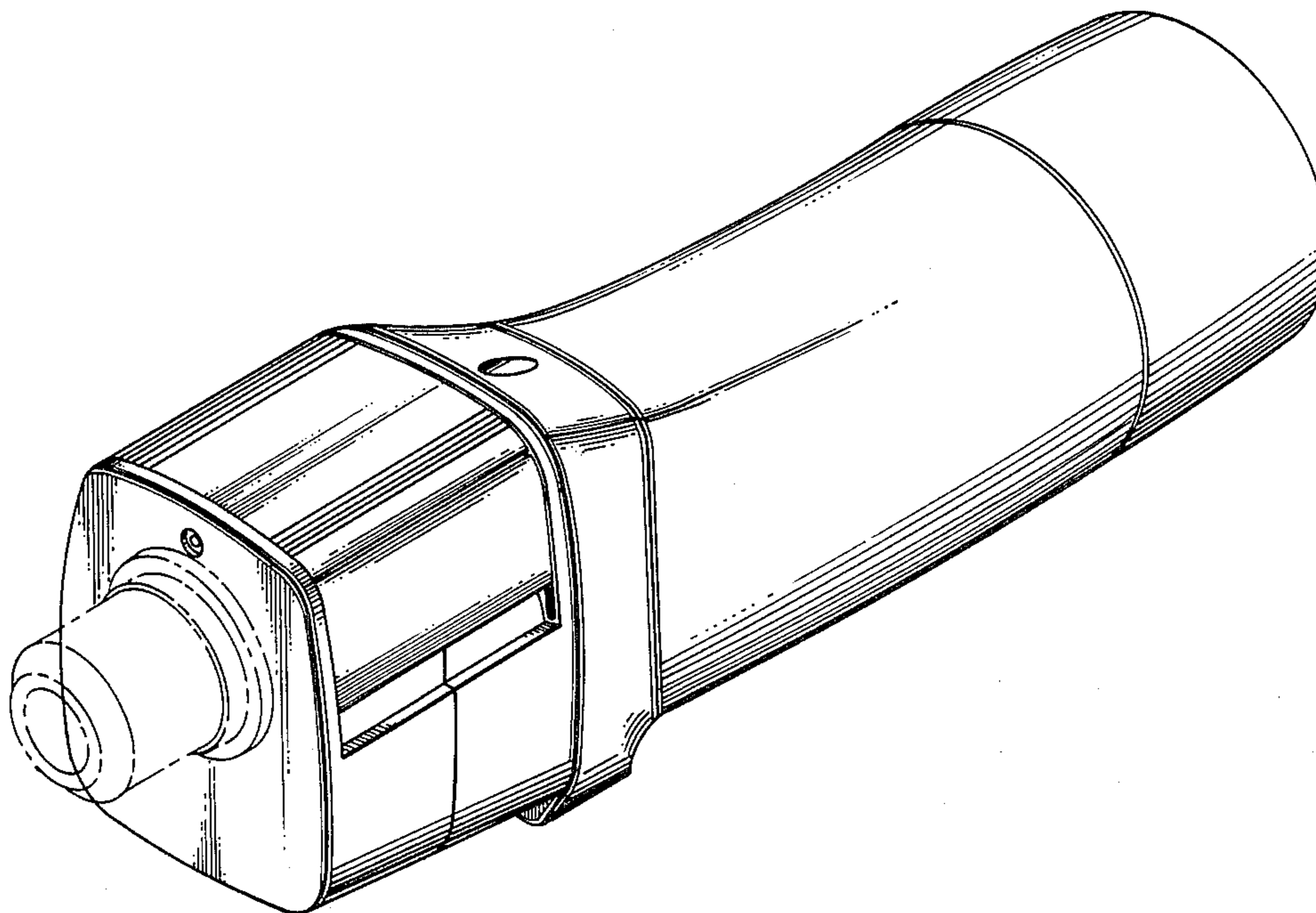
Primary Examiner—Wallace R. Burke
Assistant Examiner—Stella M. Reid
Attorney, Agent, or Firm—DeWitt M. Morgan; John S. Norton

[57] **CLAIM**

The ornamental design for a spotting telescope, as shown and described.

DESCRIPTION

FIG. 1 is a perspective view of a spotting telescope showing my new design;
FIG. 2 is a side elevational view thereof, the opposite side being identical thereto;
FIG. 3 is a top plan view thereof;
FIG. 4 is a bottom plan view thereof;
FIG. 5 is an end view of the eyepiece end; and
FIG. 6 is a front elevational view of the objective lens end.
The broken line showing of the eyepiece housing is for illustrative purposes only and forms no part of the claimed design.



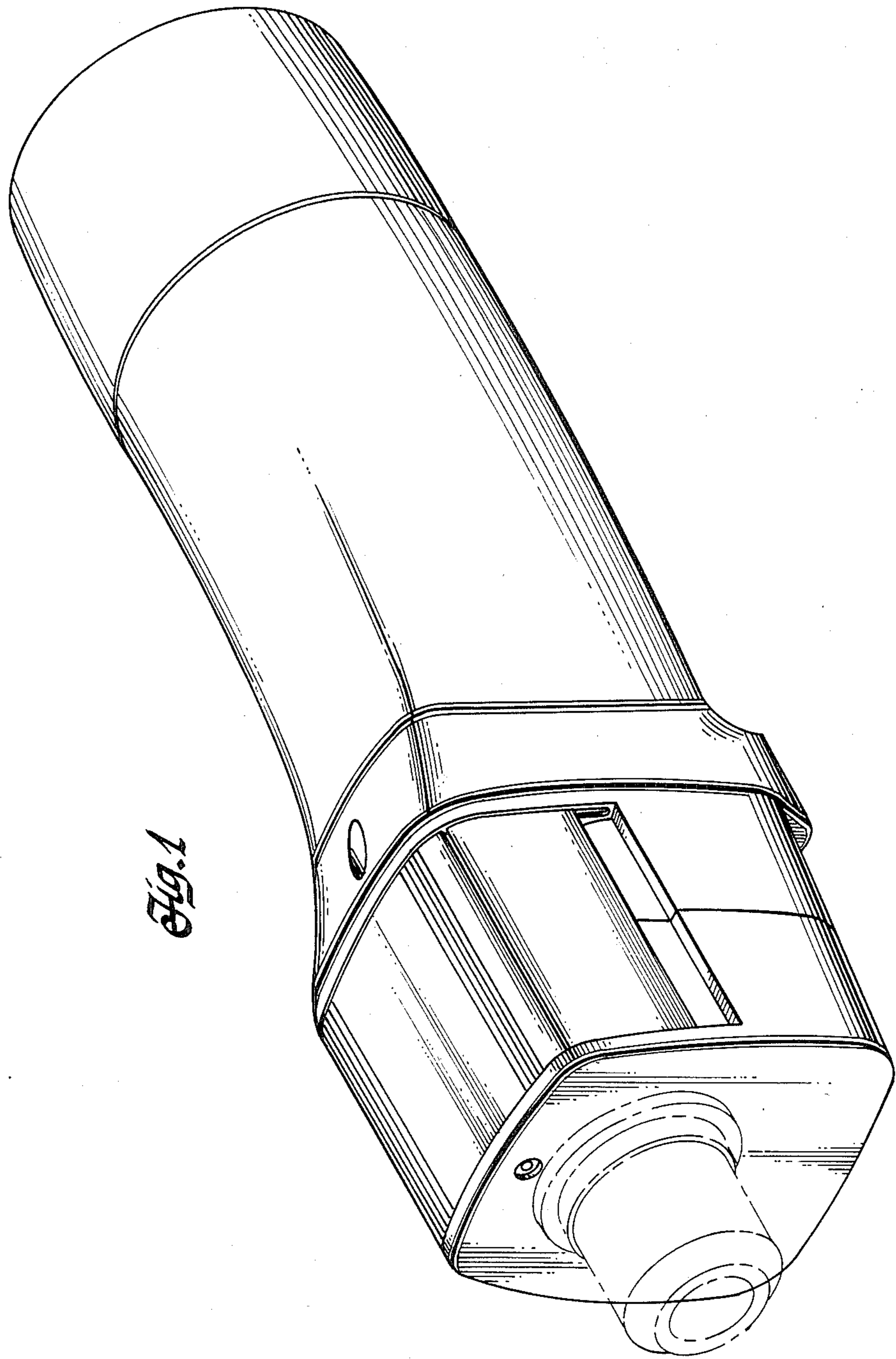
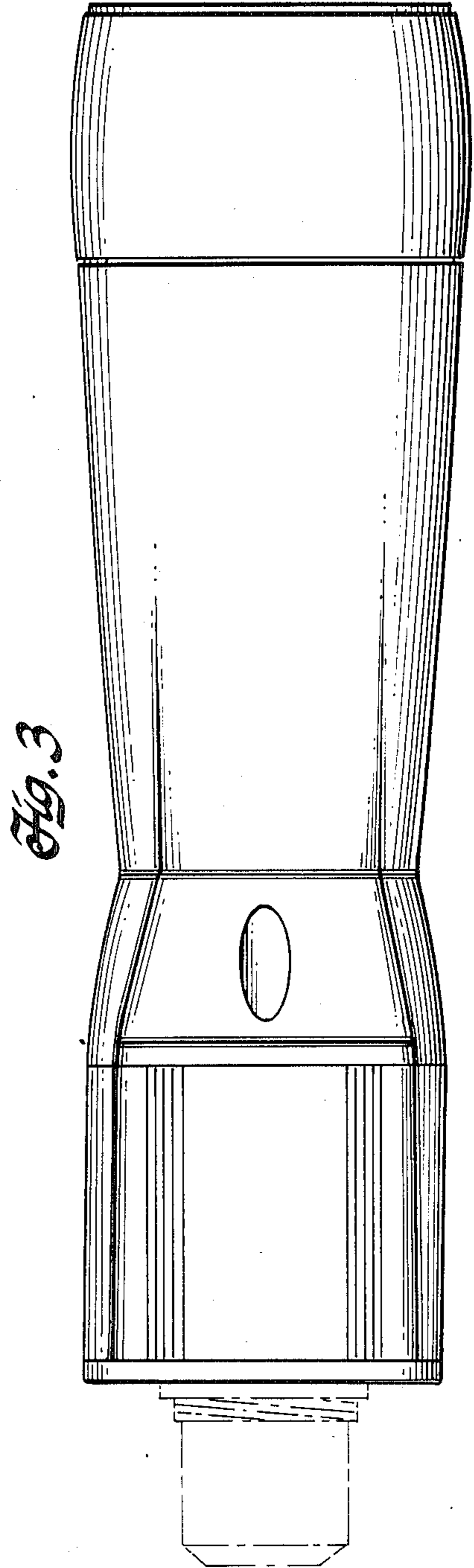
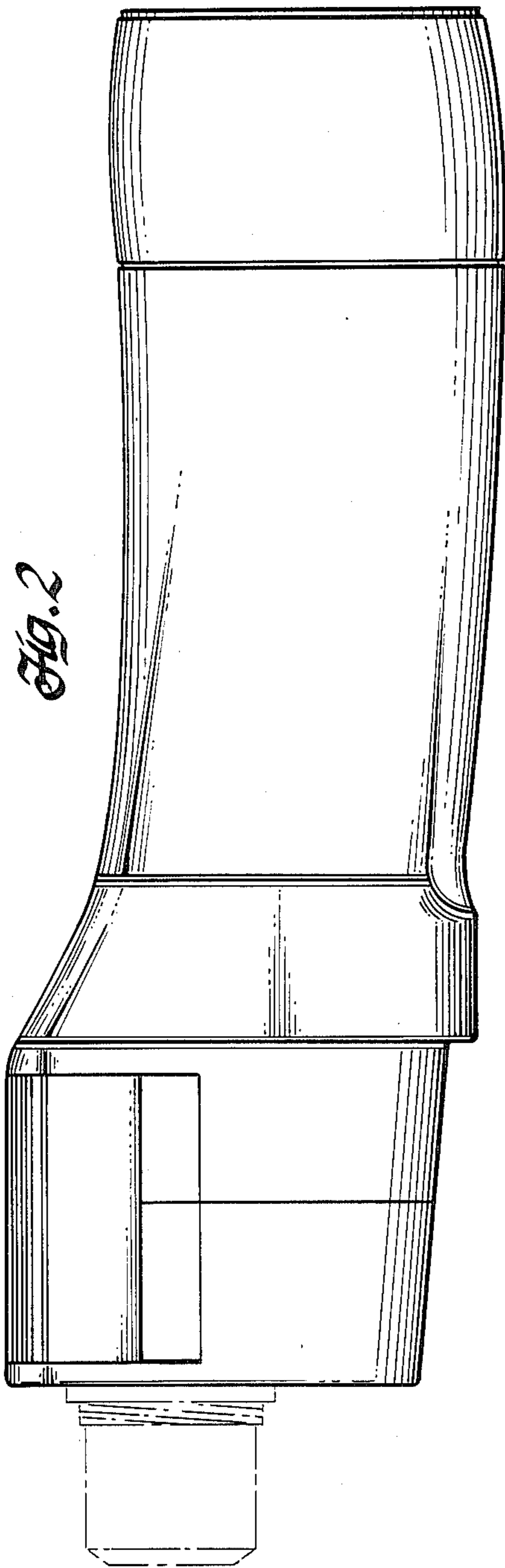


Fig. 1



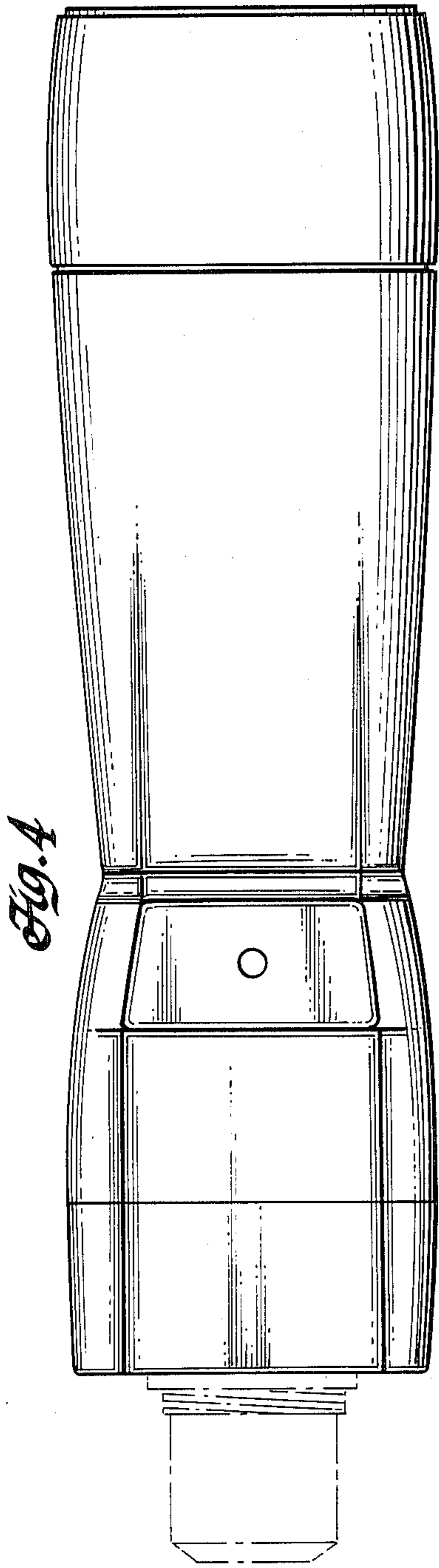


Fig. 6

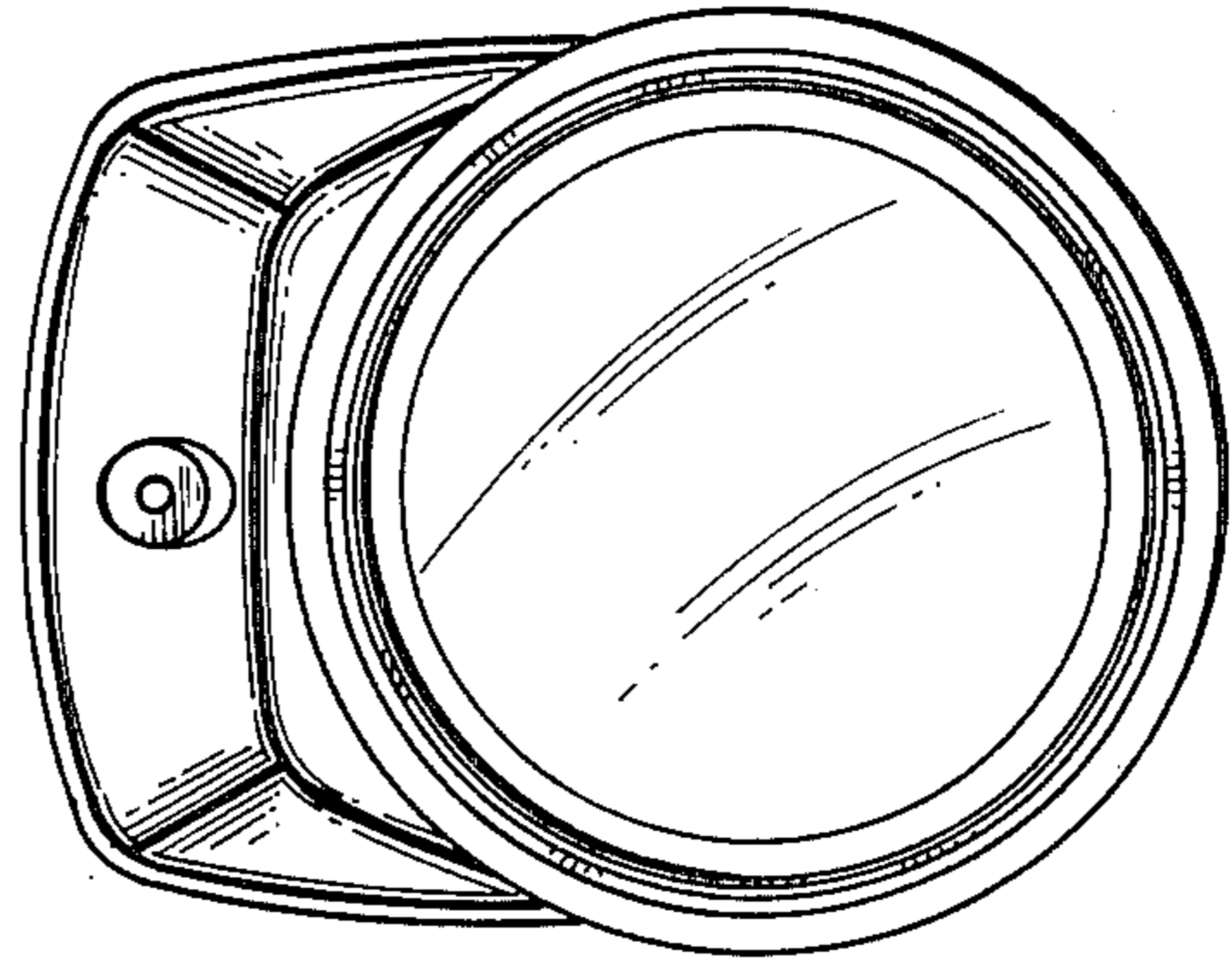


Fig. 5

