

[54] **TRIPOD WITH INSTRUMENT SUPPORTING HEAD**

[75] Inventors: **John A. Jones, Gresham; L. Mark Marchus; Loren S. Hardy, both of Portland, all of Oreg.**

[73] Assignee: **Cineonix, Inc., Portland, Oreg.**

[**] Term: **14 Years**

[21] Appl. No.: **926,901**

[22] Filed: **Nov. 3, 1986**

[52] U.S. Cl. **D16/244**

[58] Field of Search **D16/44-47; 248/168-171, 177-178, 183-188.9**

4,039,158 8/1977 Weman .
 4,177,967 12/1979 Marchus .
 4,226,303 10/1980 Thoma .
 4,317,552 3/1982 Weidler 248/168
 4,422,683 12/1983 Charonnat .
 4,450,353 5/1984 Sjolund et al. .
 4,562,985 1/1986 Nakatani 248/183

FOREIGN PATENT DOCUMENTS

3134910 3/1983 Fed. Rep. of Germany .
 3238915 4/1984 Fed. Rep. of Germany .
 1216881 11/1959 France .
 2528996 12/1983 France .
 1377897 12/1974 United Kingdom .
 2168149 6/1986 United Kingdom .

Primary Examiner—Nelson C. Holtje
Attorney, Agent, or Firm—Klarquist, Sparkman, Campbell, Leigh & Winston

[56] **References Cited**
U.S. PATENT DOCUMENTS

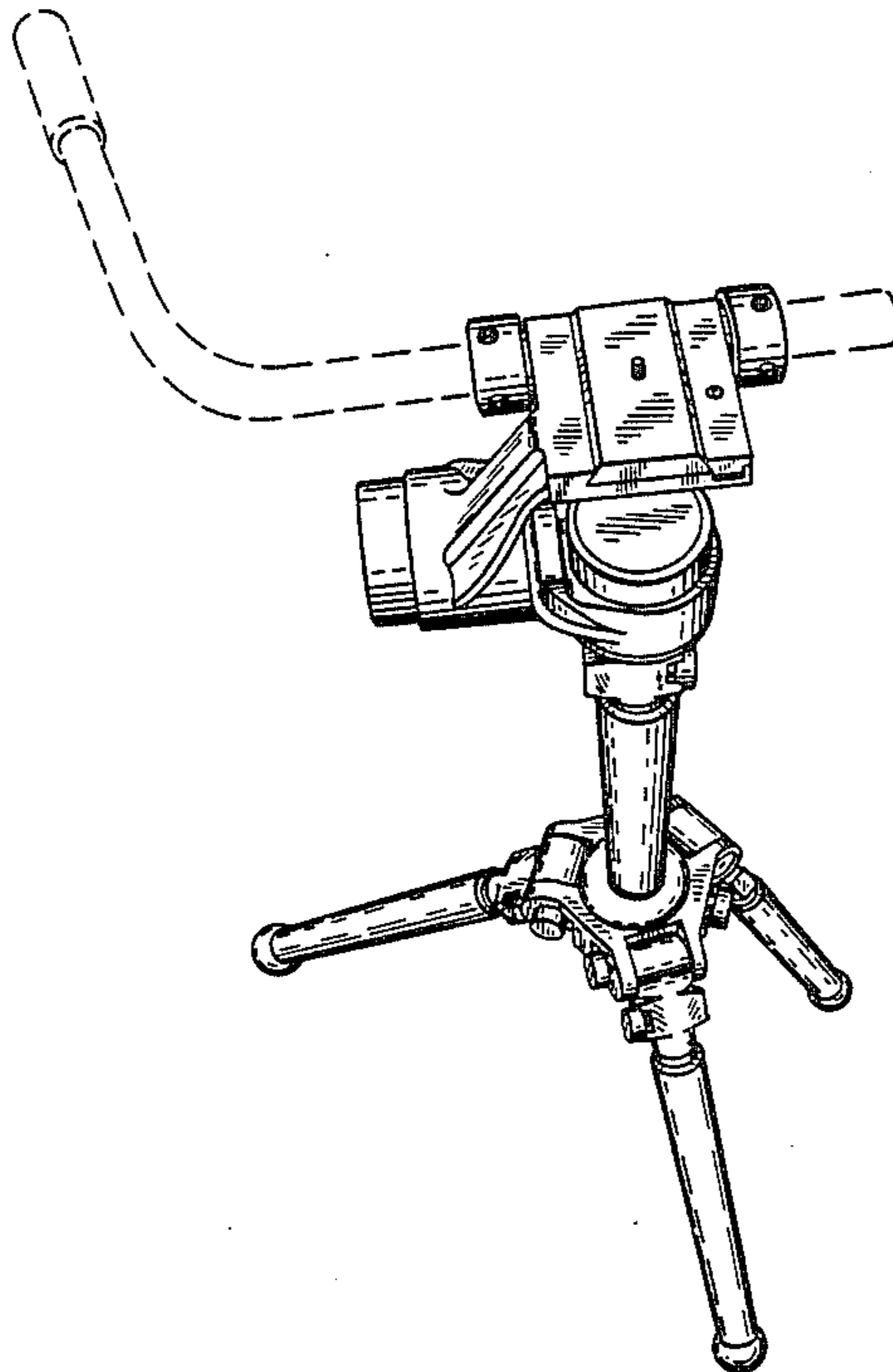
D. 148,778 2/1948 Fishter D16/46
 D. 257,260 10/1980 Shiraishi D16/45
 D. 262,147 2/1982 Iwasaki D16/45
 875,034 12/1907 Wright .
 1,764,721 6/1930 Hayden .
 2,341,751 2/1944 Willoughby 248/188.9
 2,455,525 12/1948 Schulz .
 2,591,051 4/1952 Caldwell .
 2,744,712 5/1956 Brandt .
 2,956,764 10/1960 Nakatani .
 3,133,719 5/1964 Beck .
 3,227,409 1/1966 Pagliuso 248/183
 3,575,369 4/1971 Tetlow .
 4,010,923 3/1977 Miller et al. .

[57] **CLAIM**

The ornamental design for tripod with instrument supporting head, as shown.

DESCRIPTION

FIG. 1 is a top front perspective view of a tripod with instrument supporting head showing our new design;
 FIG. 2 is a top plan view thereof;
 FIG. 3 is a bottom plan view thereof;
 FIG. 4 is a front elevational view thereof;
 FIG. 5 is a rear elevational view thereof;
 FIG. 6 is a left side elevational view thereof;
 FIG. 7 is a right side elevational view thereof.



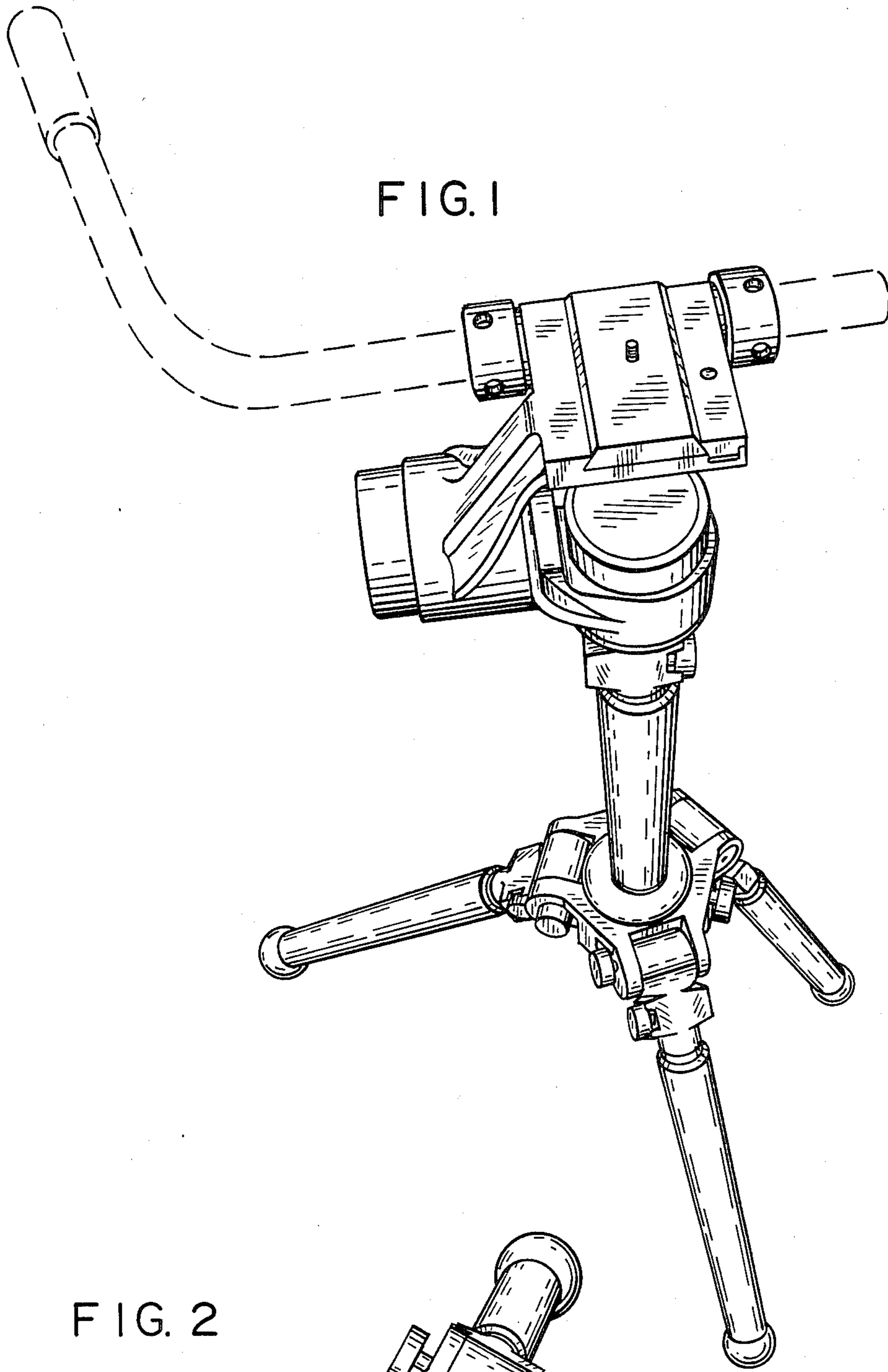


FIG. 2

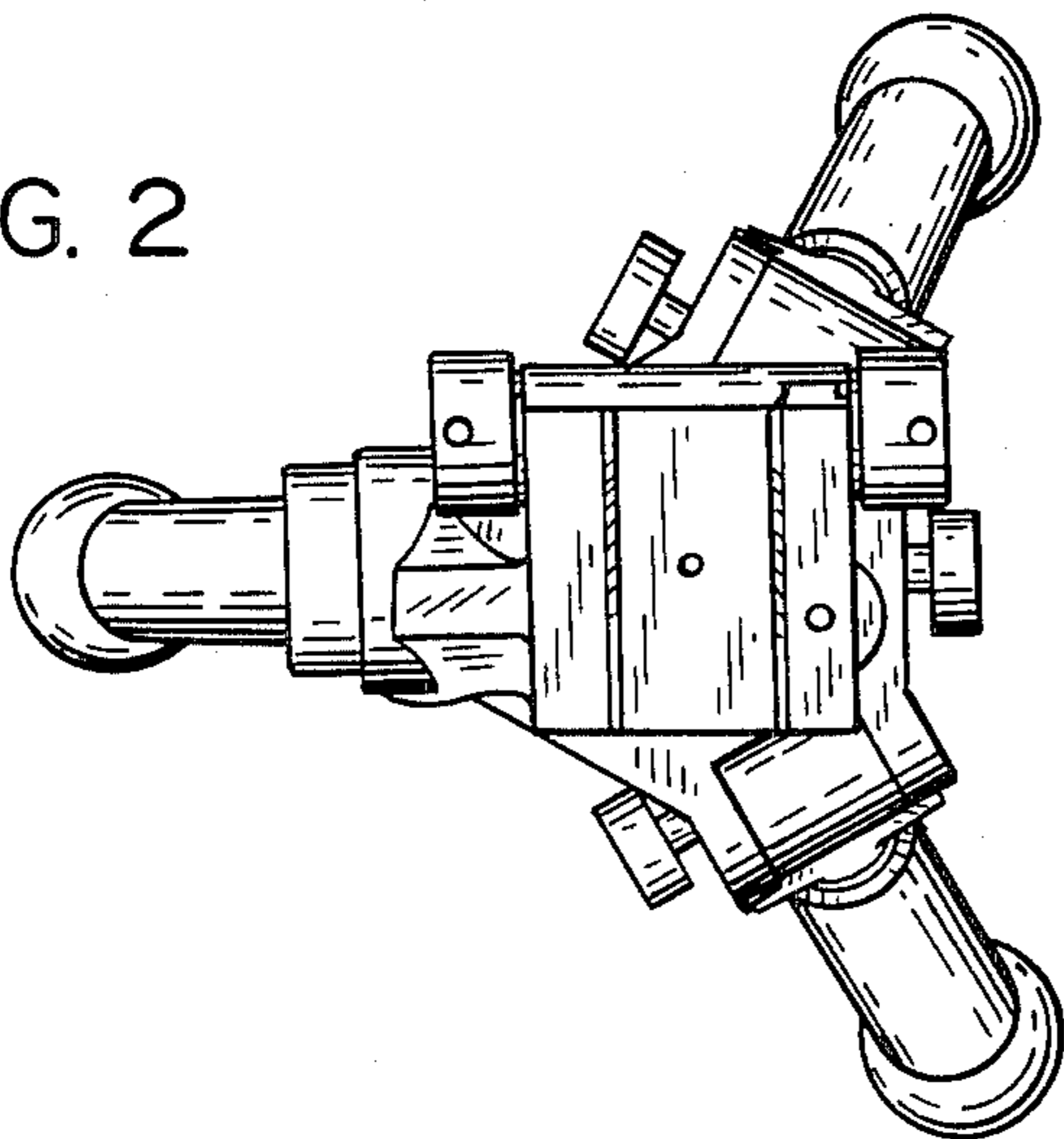


FIG. 3

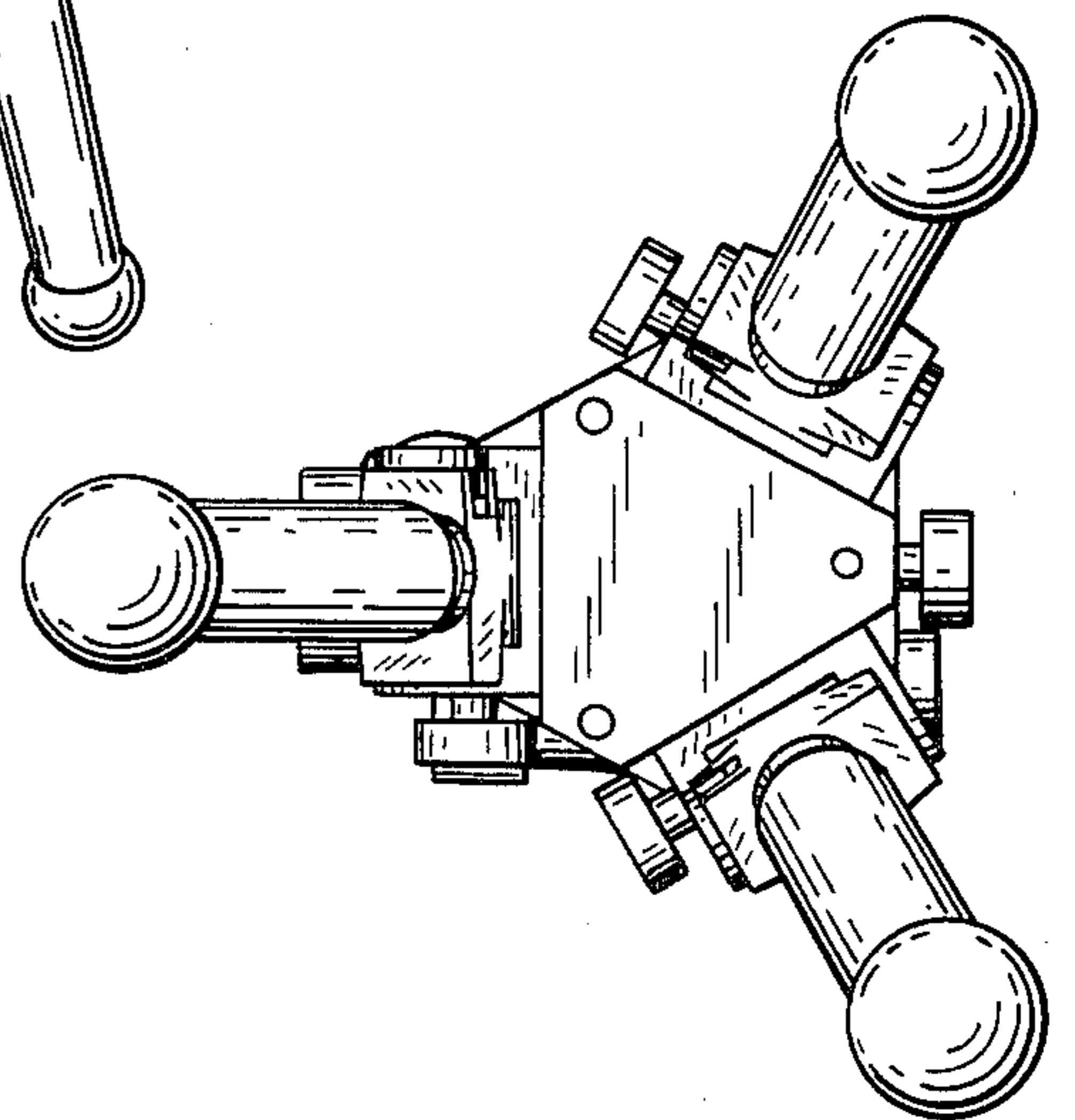


FIG. 4

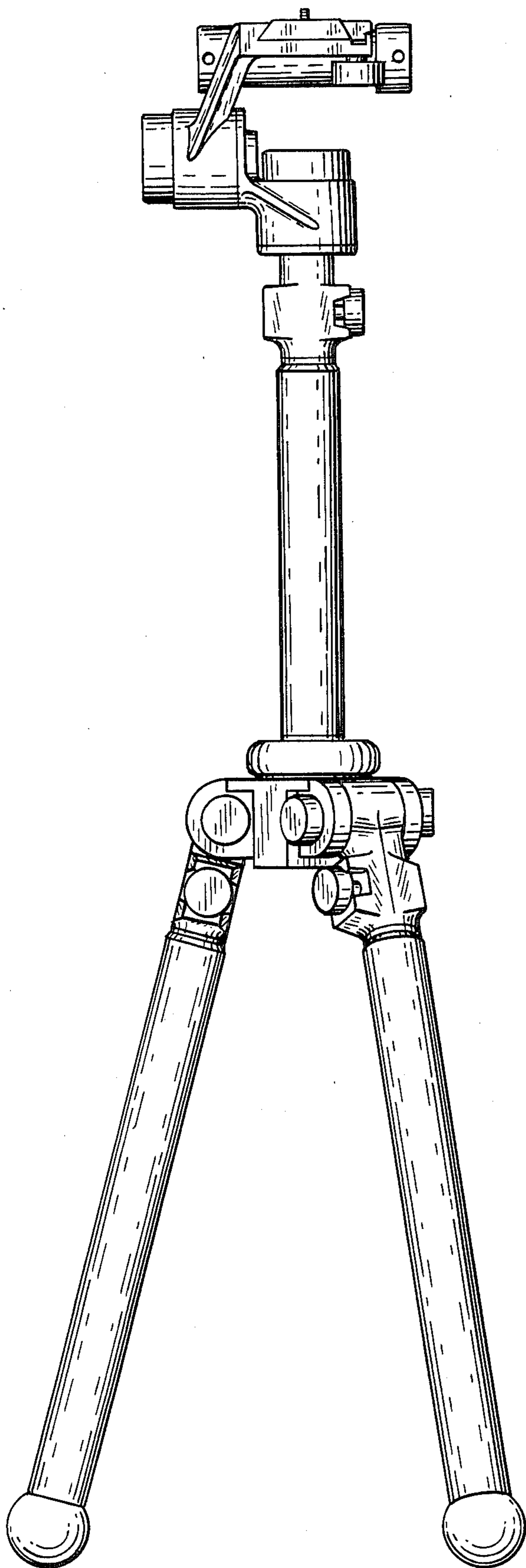


FIG. 5

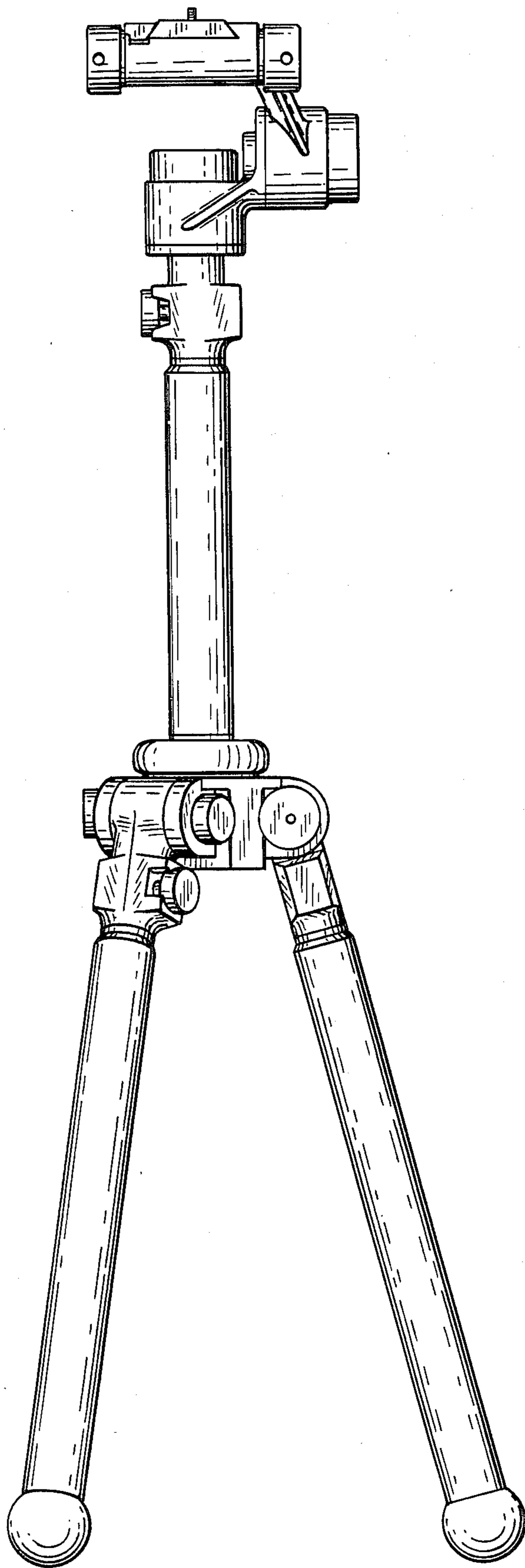


FIG. 6

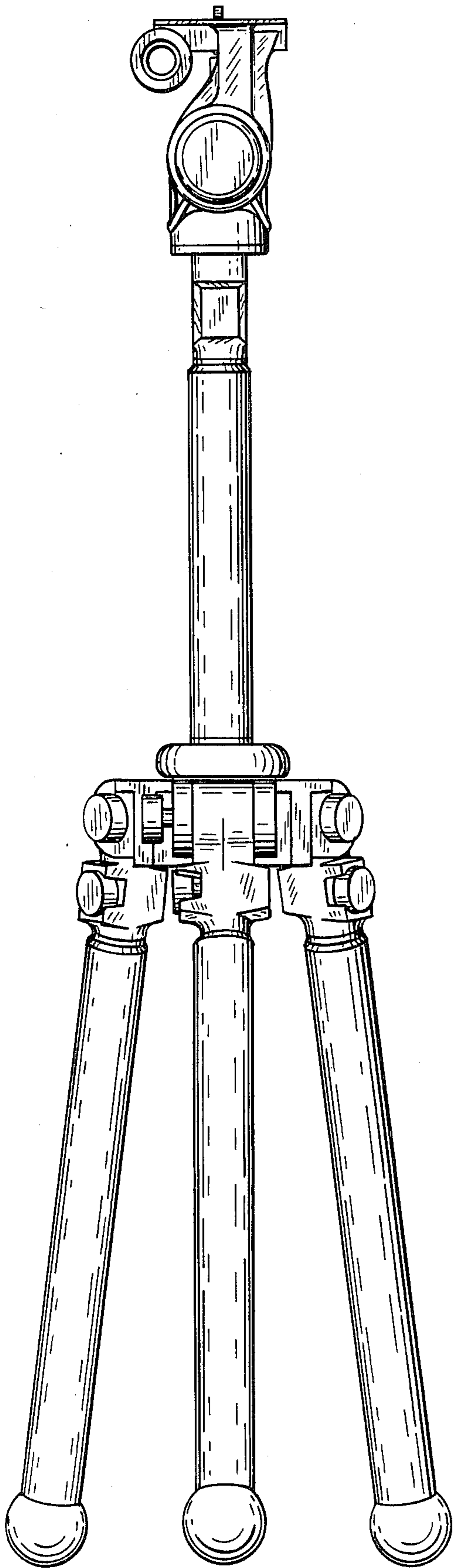
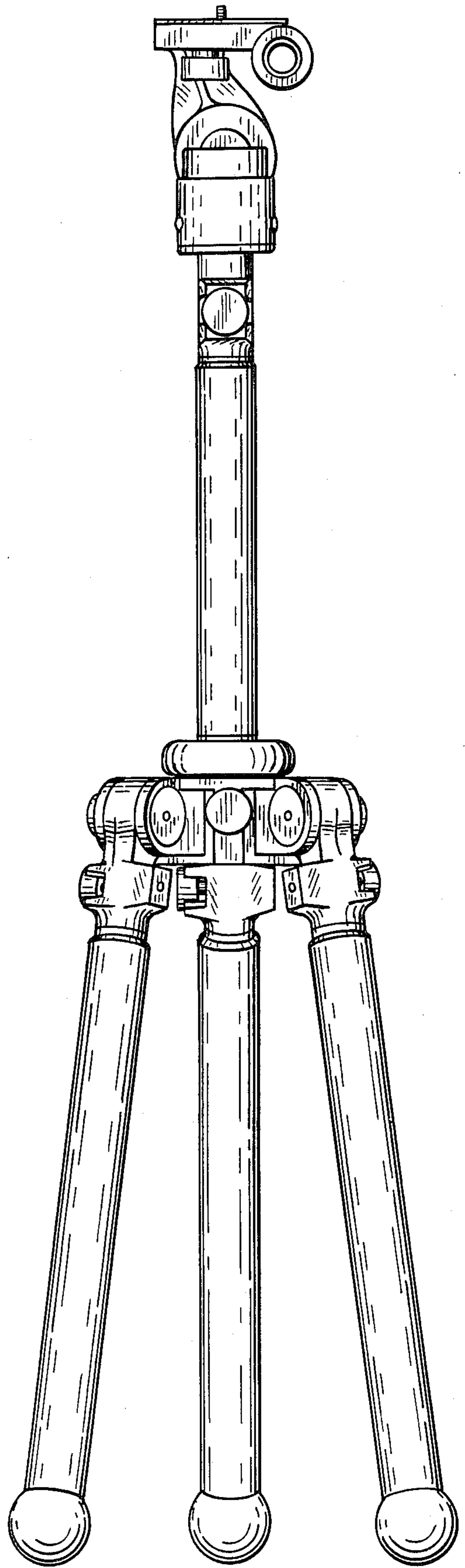


FIG. 7



UNITED STATES PATENT AND TRADEMARK OFFICE
CERTIFICATE OF CORRECTION

PATENT NO. : Des. 300,037

DATED : February 28, 1989

INVENTOR(S) : John A. Jones, L. Mark Marchus and Loren S. Hardy

It is certified that error appears in the above-identified patent and that said Letters Patent is hereby corrected as shown below:

Title page:

The following document titles were omitted from the list of "References Cited":

U.S. PATENT DOCUMENTS

2,463,655	3/1949	Temple, Jr.
2,865,133	12/1958	Hoven et al.
3,254,868	6/1966	Quass et al.
3,795,378	3/1974	Clarke
4,113,215	9/1978	Stapleton
4,249,817	2/1985	Blau
4,368,996	1/1983	Davis et al.
4,557,623	12/1985	Tella

FOREIGN PATENT DOCUMENTS

78,329	1955	Netherlands
2,203,196	8/1973	West Germany

Signed and Sealed this
Twenty-third Day of January, 1990

Attest:

JEFFREY M. SAMUELS

Attesting Officer

Acting Commissioner of Patents and Trademarks