

[54] HOPPER FOR A SANDBLASTER

[75] Inventor: James F. Mariol, Cincinnati, Ohio

[73] Assignee: Campbell Hausfeld/Scott Fetzer Company, Harrison, Ohio

[**] Term: 14 Years

[21] Appl. No.: 860,679

[22] Filed: May 7, 1986

[52] U.S. Cl. D15/126; D3/73; D9/374; D9/382; D9/383

[58] Field of Search D15/124-126; 51/410, 427, 436; D3/73; D9/374, 378, 382, 383

[56] References Cited

U.S. PATENT DOCUMENTS

- D. 225,101 11/1972 Marchetti D9/374
- D. 282,958 3/1986 Carlson D9/374
- D. 289,976 5/1987 Humpries D9/374
- 3,149,438 9/1964 Morley et al. 51/427

4,534,139 8/1985 Desjardins 51/427

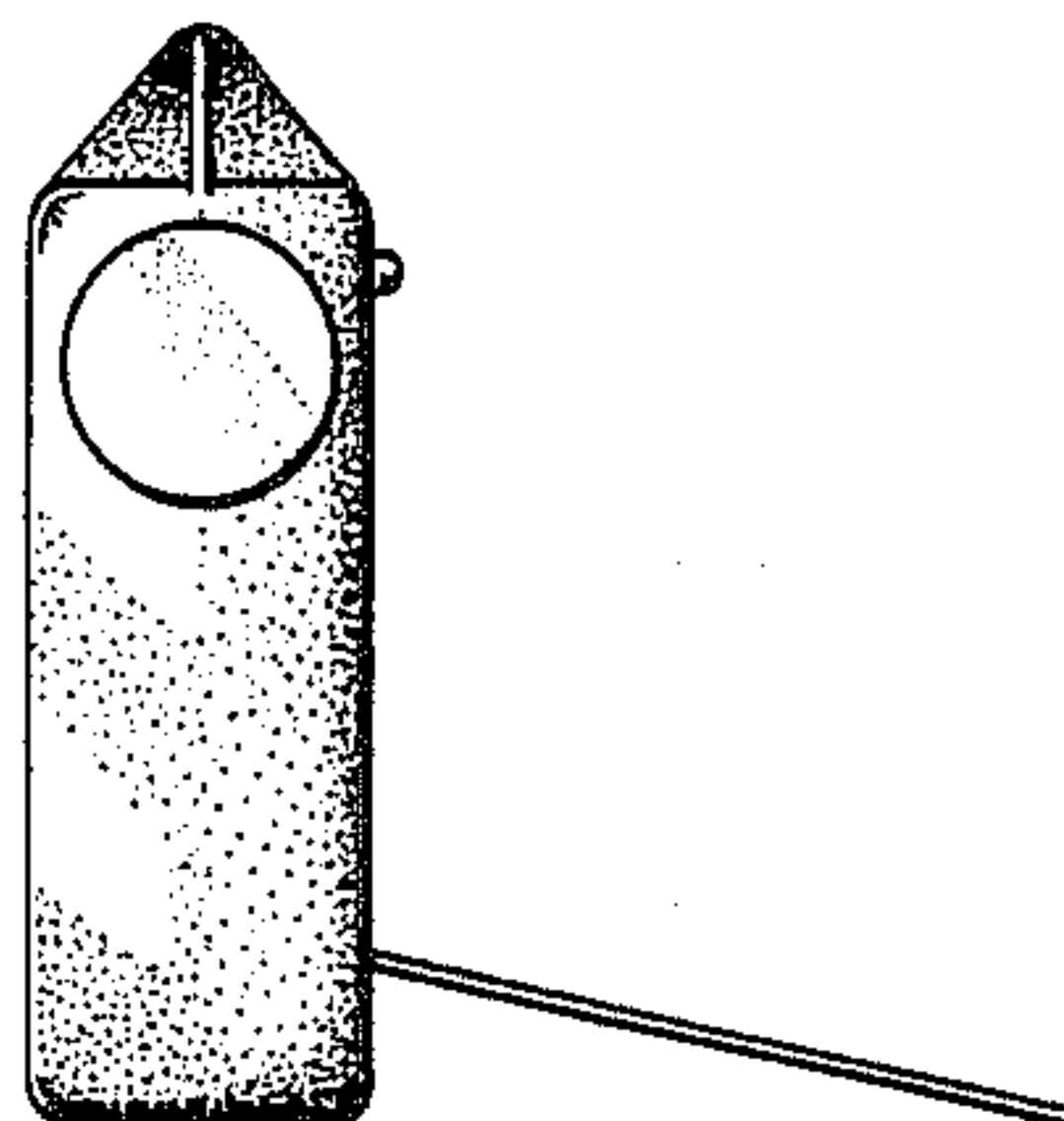
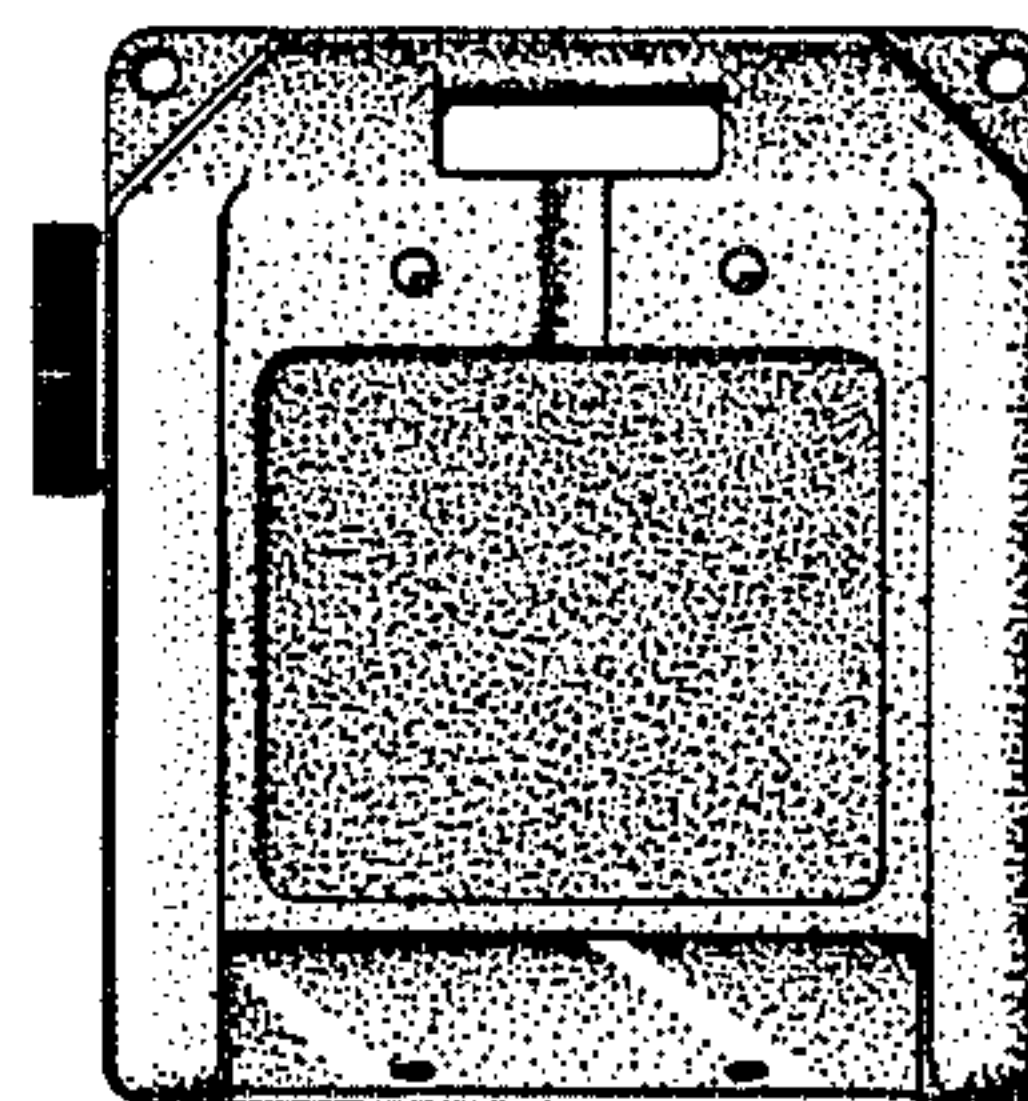
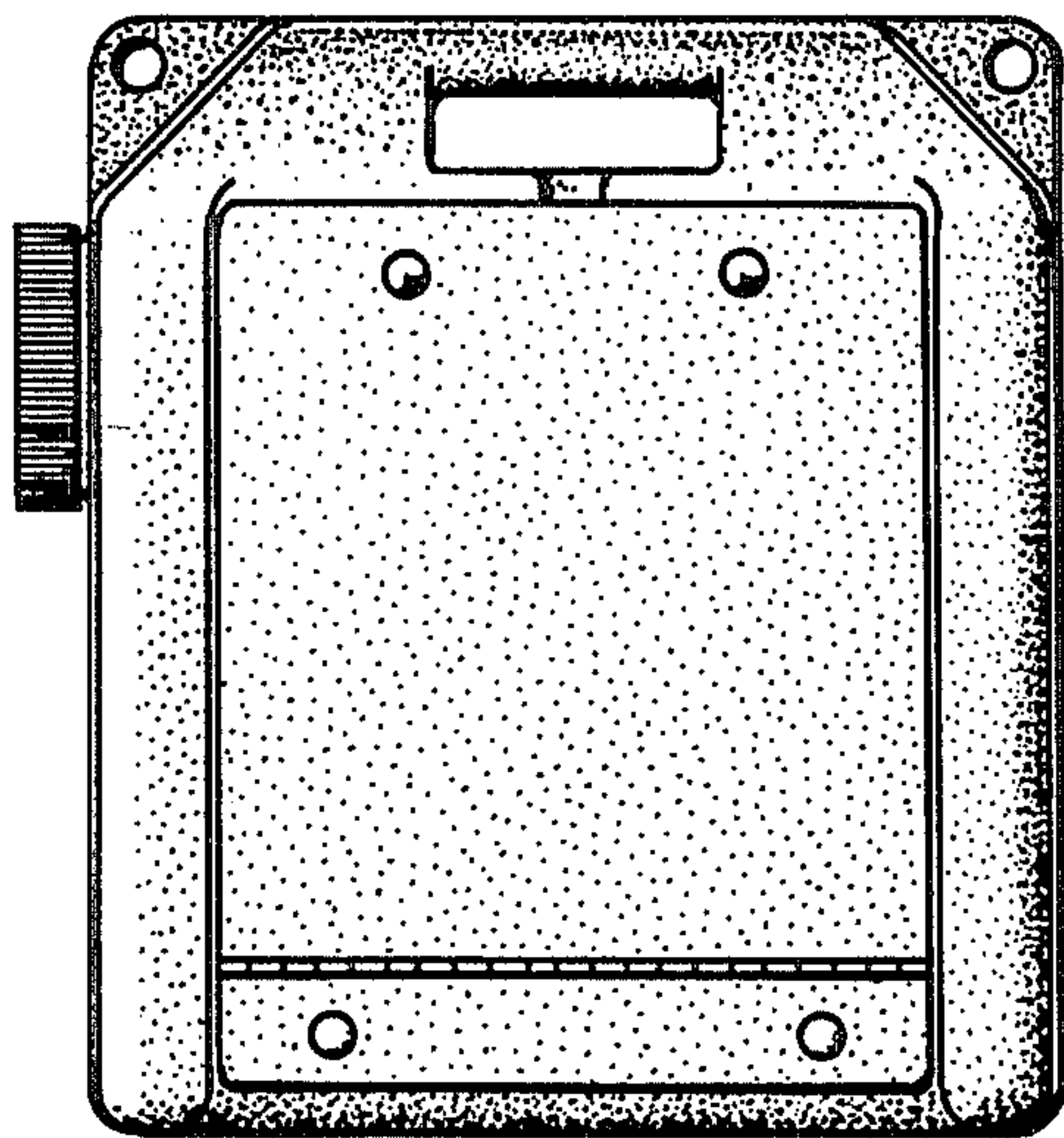
Primary Examiner—B. J. Bullock
Attorney, Agent, or Firm—Wood, Herron & Evans

[57] CLAIM

The ornamental design for a hopper for a sandblaster, as shown and described.

DESCRIPTION

FIG. 1 is a front elevational view of a hopper for a sandblaster showing my new design;
 FIG. 2 is a left side elevational view thereof;
 FIG. 3 is a right side elevational view thereof;
 FIG. 4 is a rear elevational view thereof;
 FIG. 5 is a top plan view thereof;
 FIG. 6 is bottom plan view thereof;
 FIG. 7 is a front elevational view with the storage access door open;
 FIG. 8 is a left side elevational view of FIG. 7;
 FIG. 9 is a right side elevational view of FIG. 7;
 FIG. 10 is a top plan view of FIG. 7;
 FIG. 11 is a bottom plan view of FIG. 7.



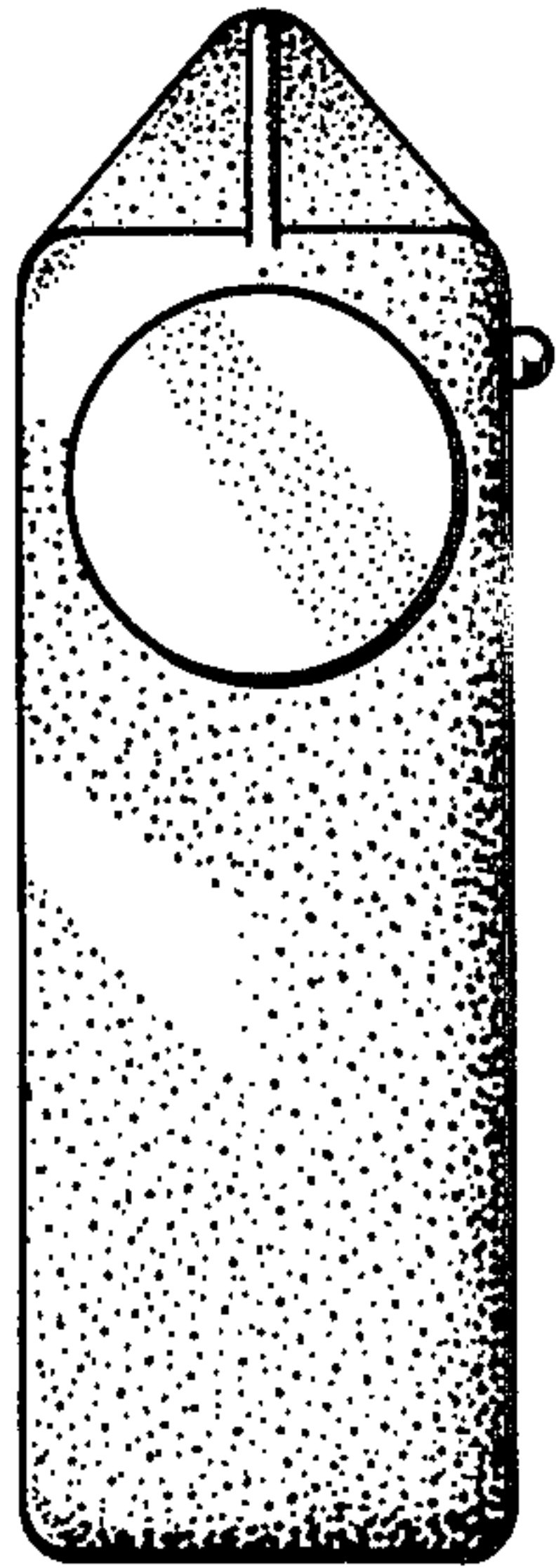


FIG. 2

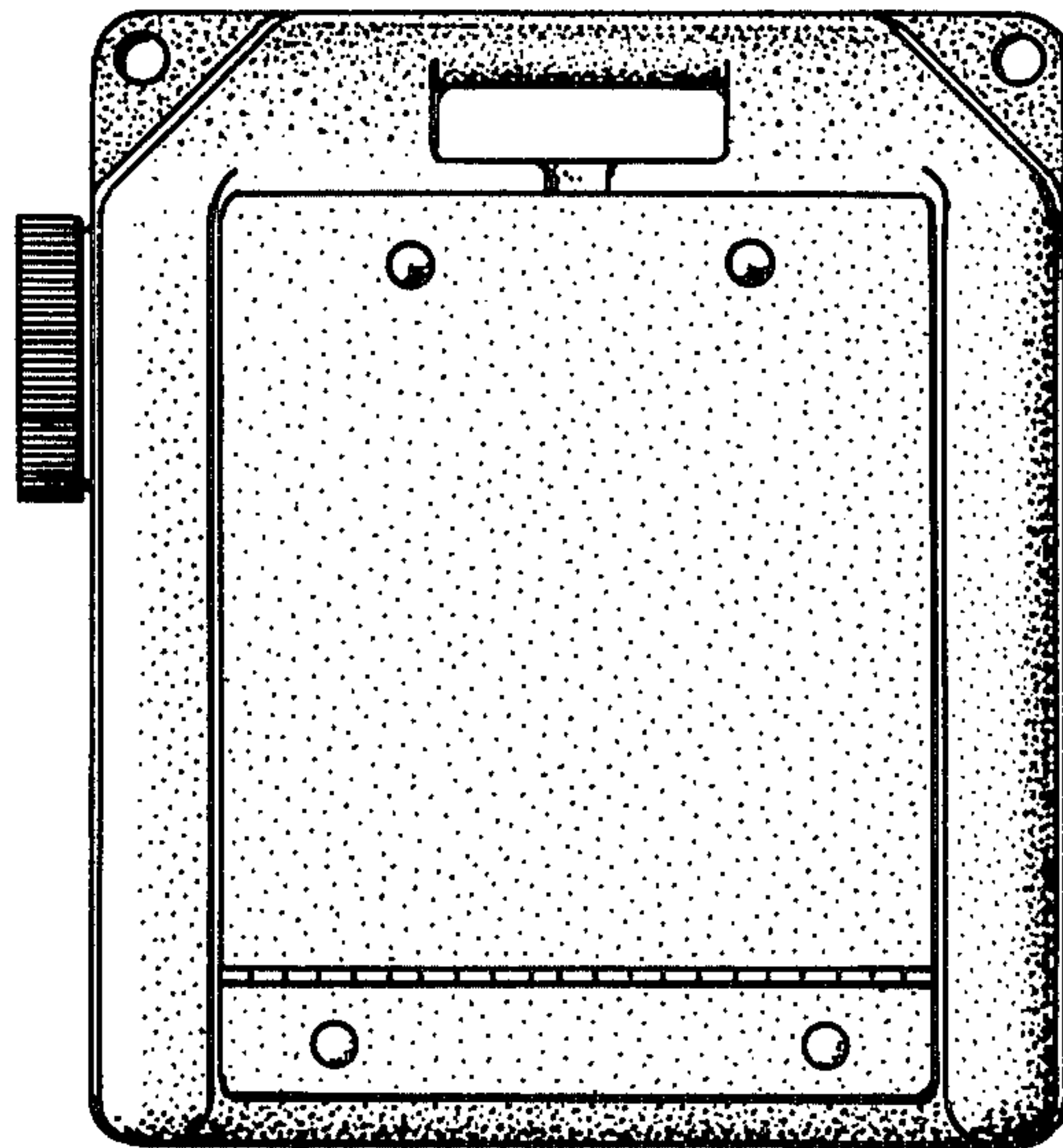


FIG. 1

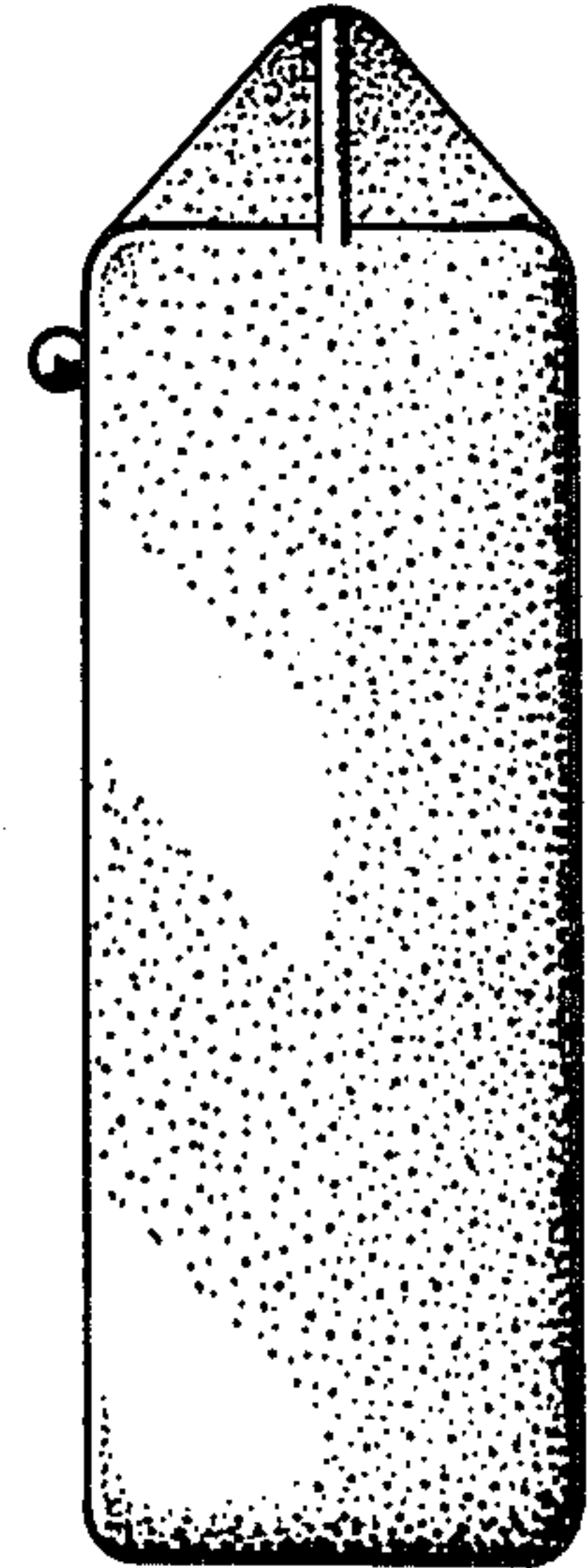


FIG. 3

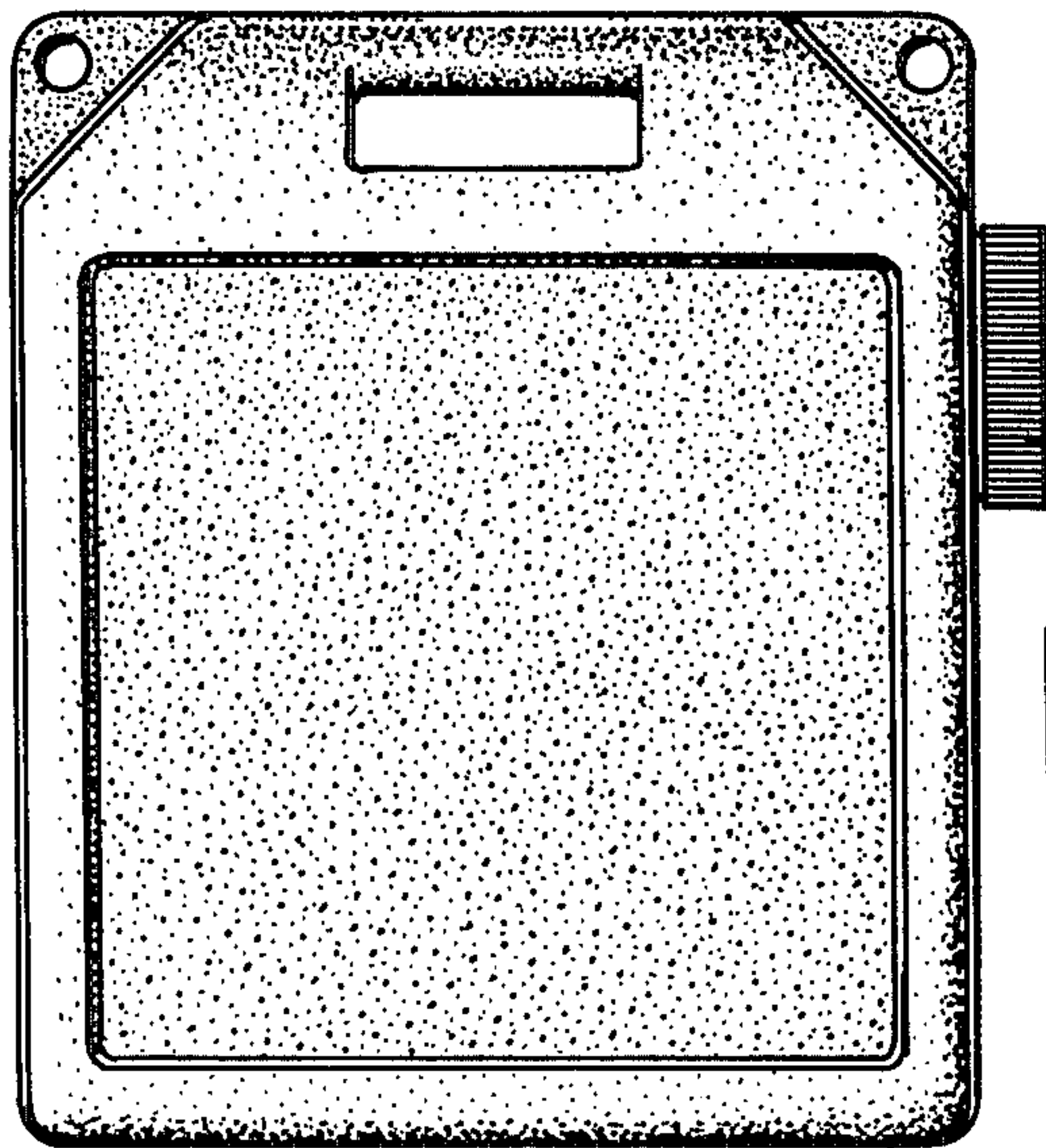


FIG. 4

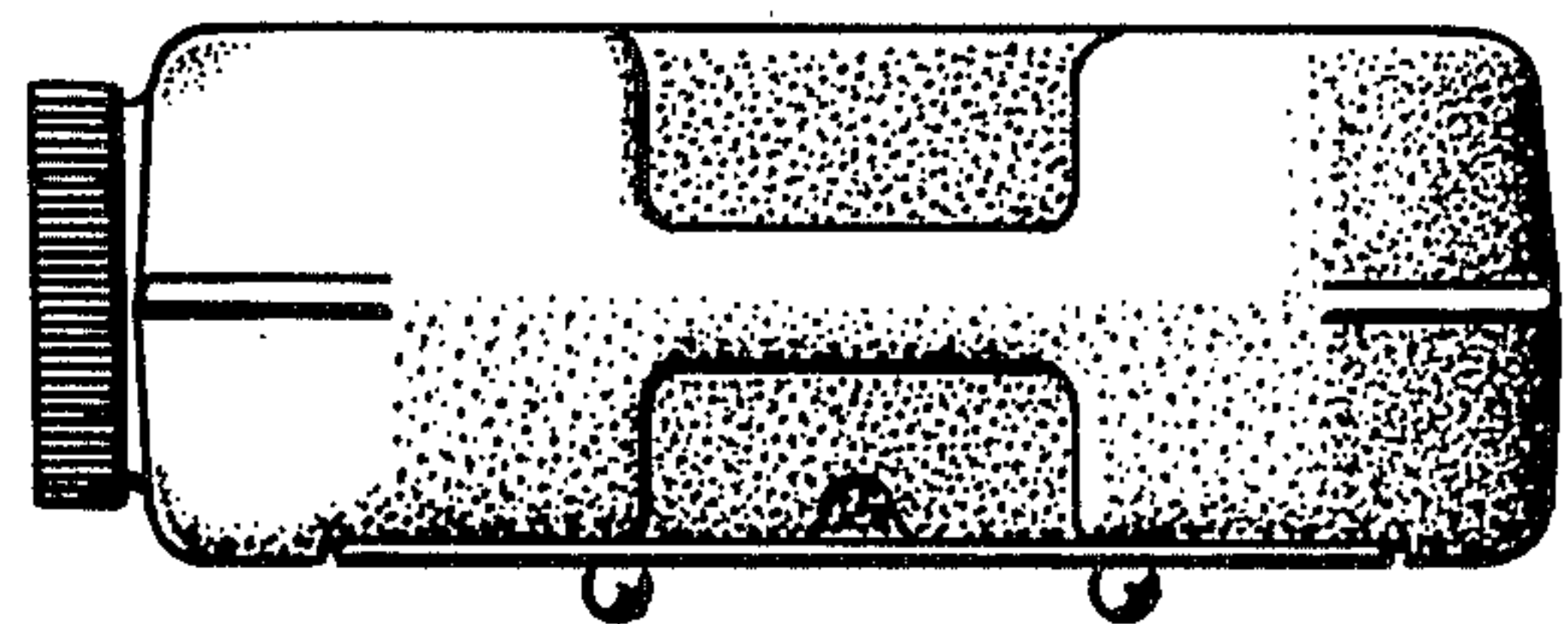


FIG. 5

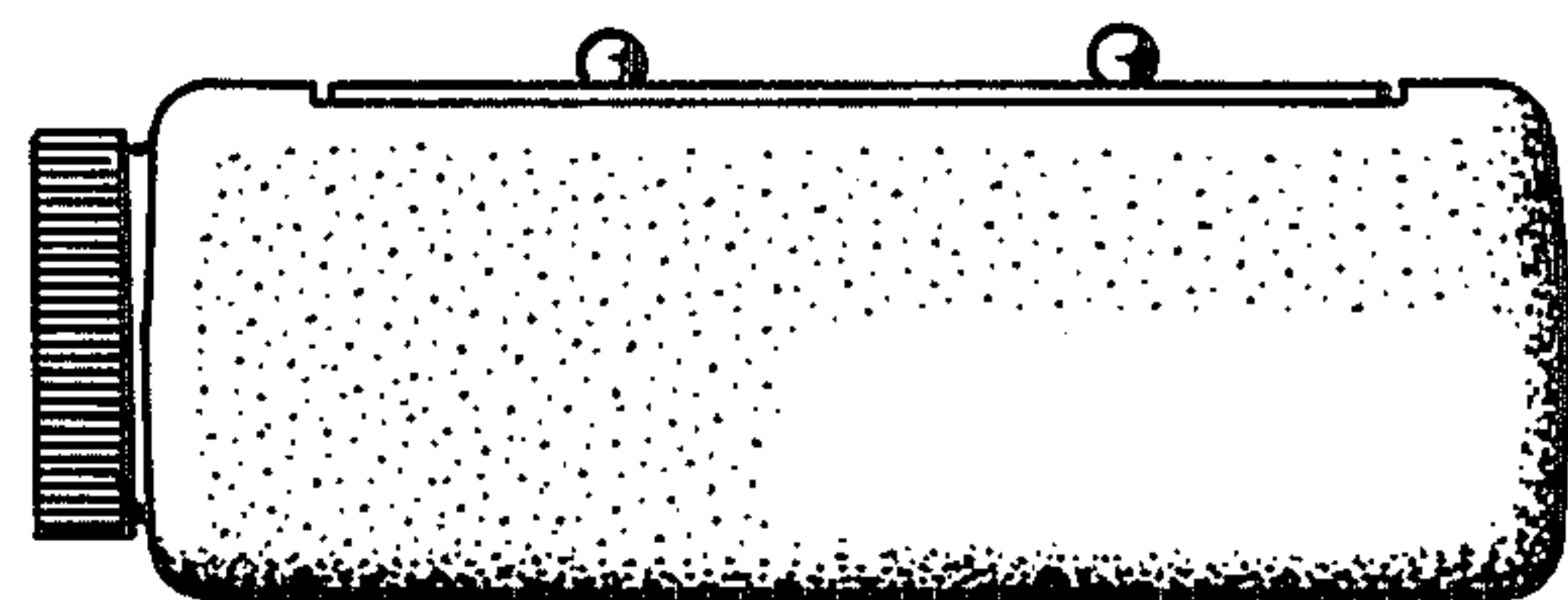


FIG. 6

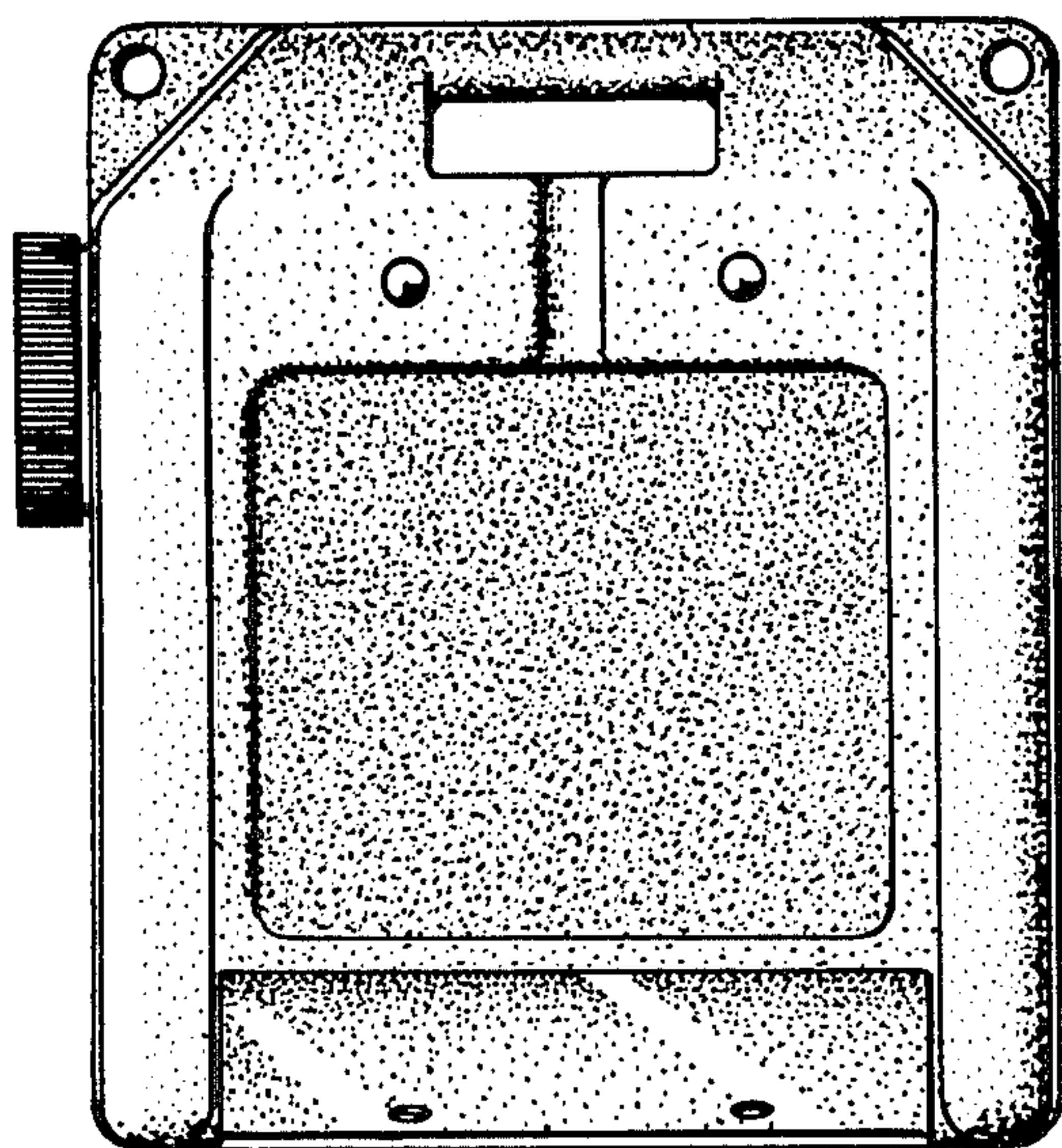


FIG. 7

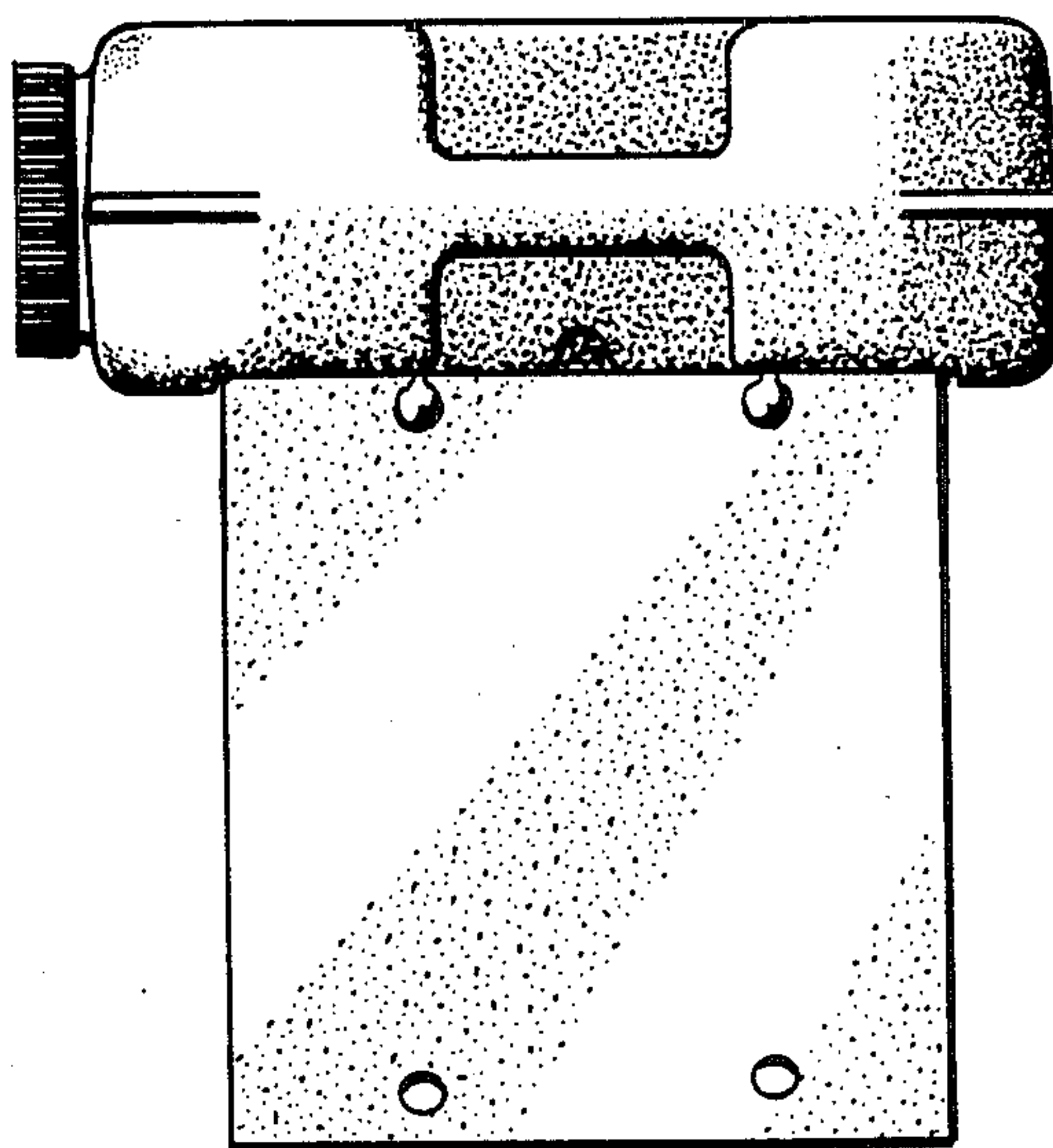


FIG. 10

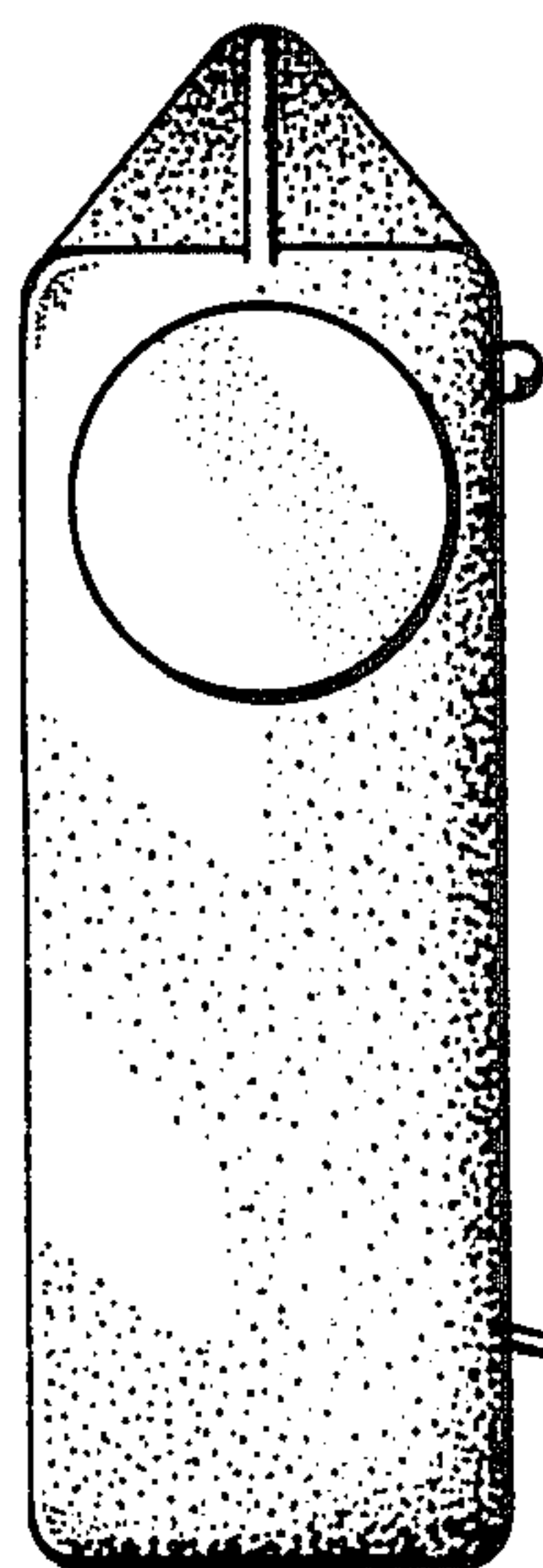


FIG. 8

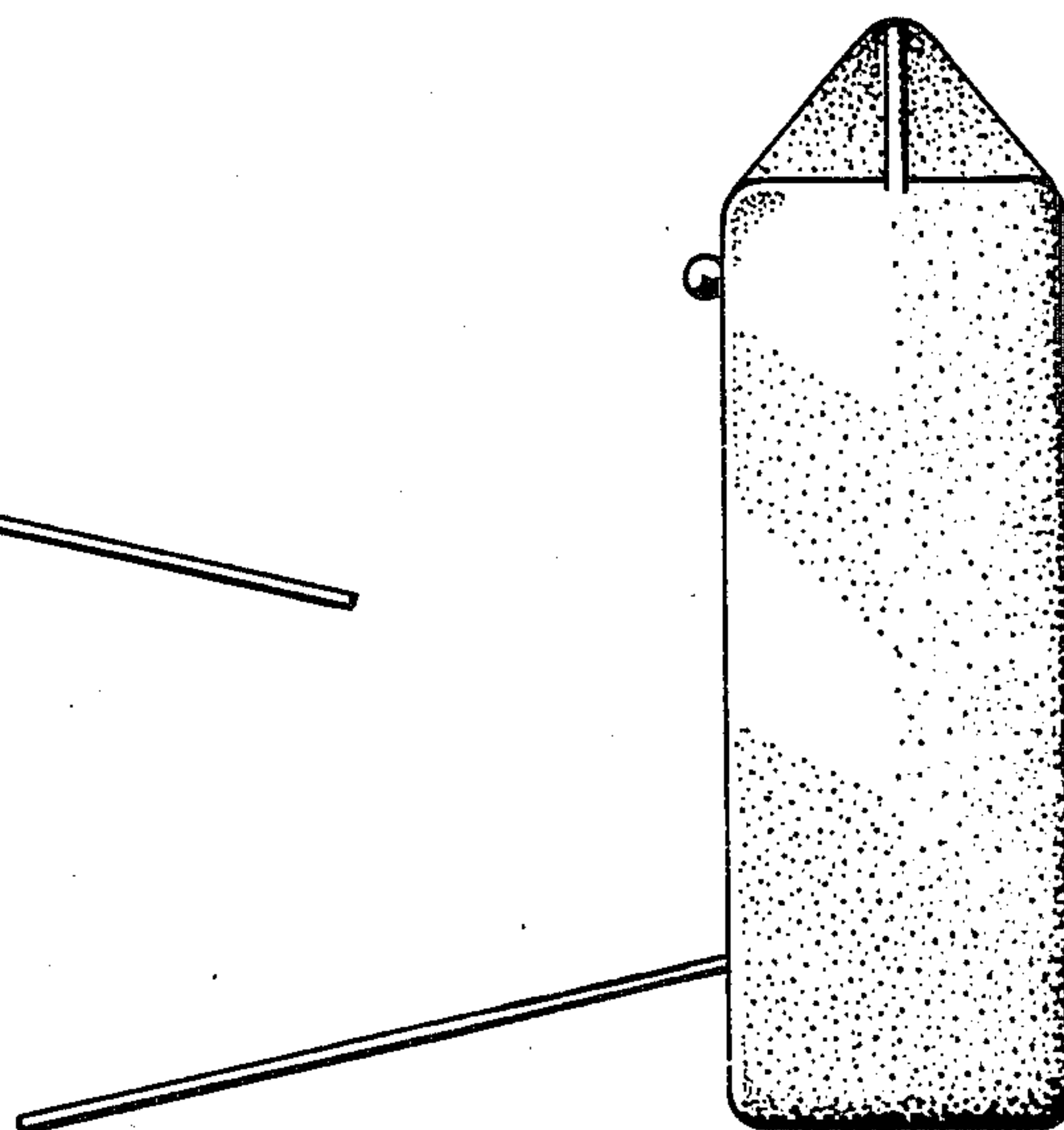


FIG. 9

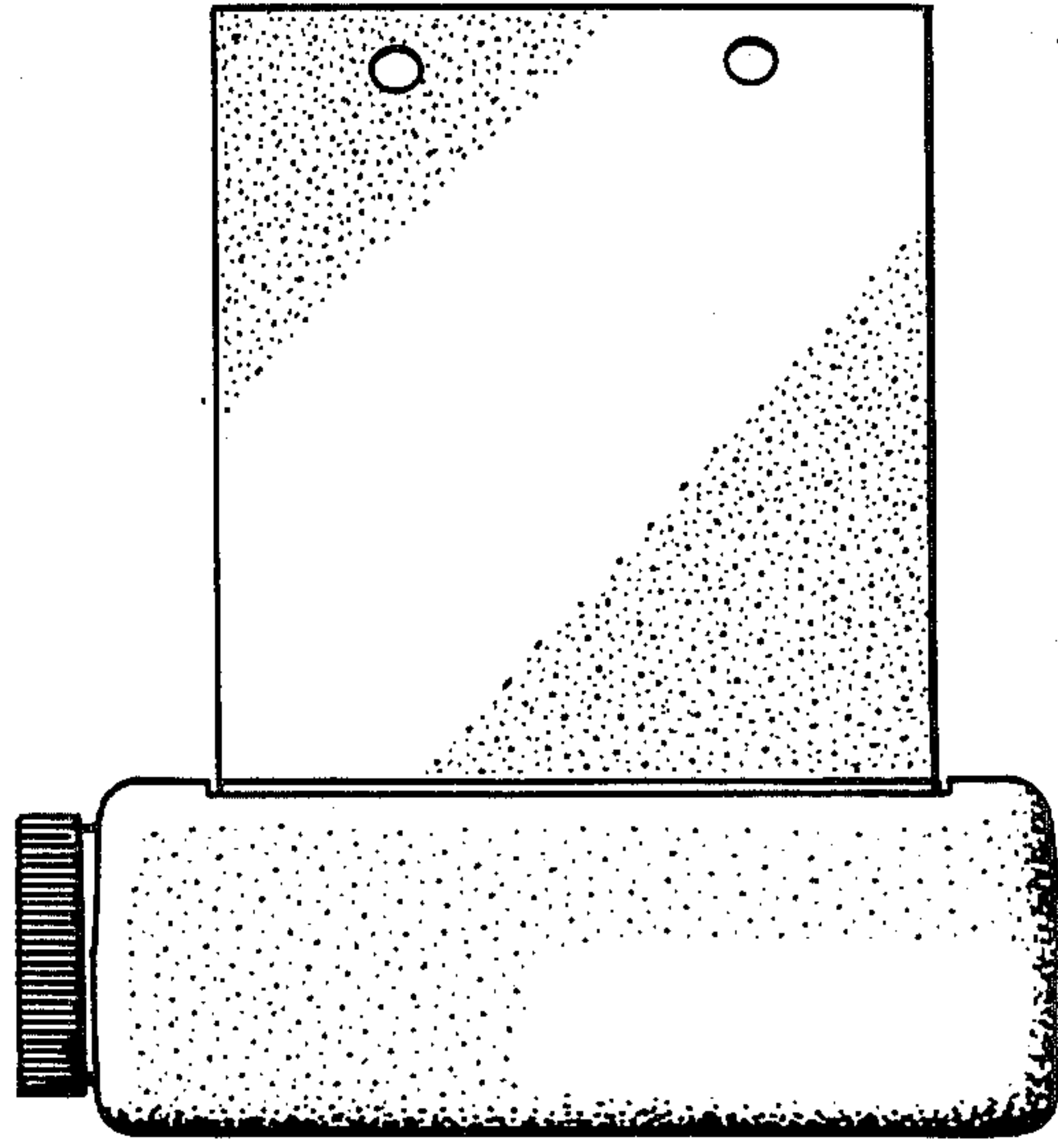


FIG. II