

[54] BELLOWS PUMP

[75] Inventors: Norishige Hirakawa, Moroyama; Kazuhiko Sato, Kawagoe; Satoru Hagiwara, Saitama, all of Japan

[73] Assignee: Iwaki Co., Ltd., Japan

[*] Notice: The portion of the term of this patent subsequent to Jul. 5, 2002 has been disclaimed.

[**] Term: 14 Years

[21] Appl. No.: 934,134

[22] Filed: Nov. 24, 1986

[30] Foreign Application Priority Data

May 26, 1986 [JP] Japan 61-19951
[52] U.S. Cl. D15/7
[58] Field of Search D23/161; D15/7, 9; 417/321, 437, 472, 473

[56] References Cited

U.S. PATENT DOCUMENTS

D. 123,201	10/1940	Jackson	D15/7 X
D. 221,307	7/1971	Bills	D15/7
3,180,566	4/1965	Murat et al.	417/473
4,090,818	5/1978	Hope et al.	417/473

Primary Examiner—B. J. Bullock
Assistant Examiner—Brian N. Vinson
Attorney, Agent, or Firm—Jordan B. Bierman

[57] CLAIM

The ornamental design for a bellows pump, as shown.

DESCRIPTION

FIG. 1 is a top, front perspective view of a bellows pump showing our new design;
FIG. 2 is a top, rear perspective view thereof;
FIG. 3 is a top plan view thereof;
FIG. 4 is a bottom plan view thereof;
FIG. 5 is a front elevational view thereof;
FIG. 6 is a rear elevational view thereof;
FIG. 7 is a left side elevational view thereof; and
FIG. 8 is a right side elevational view thereof.

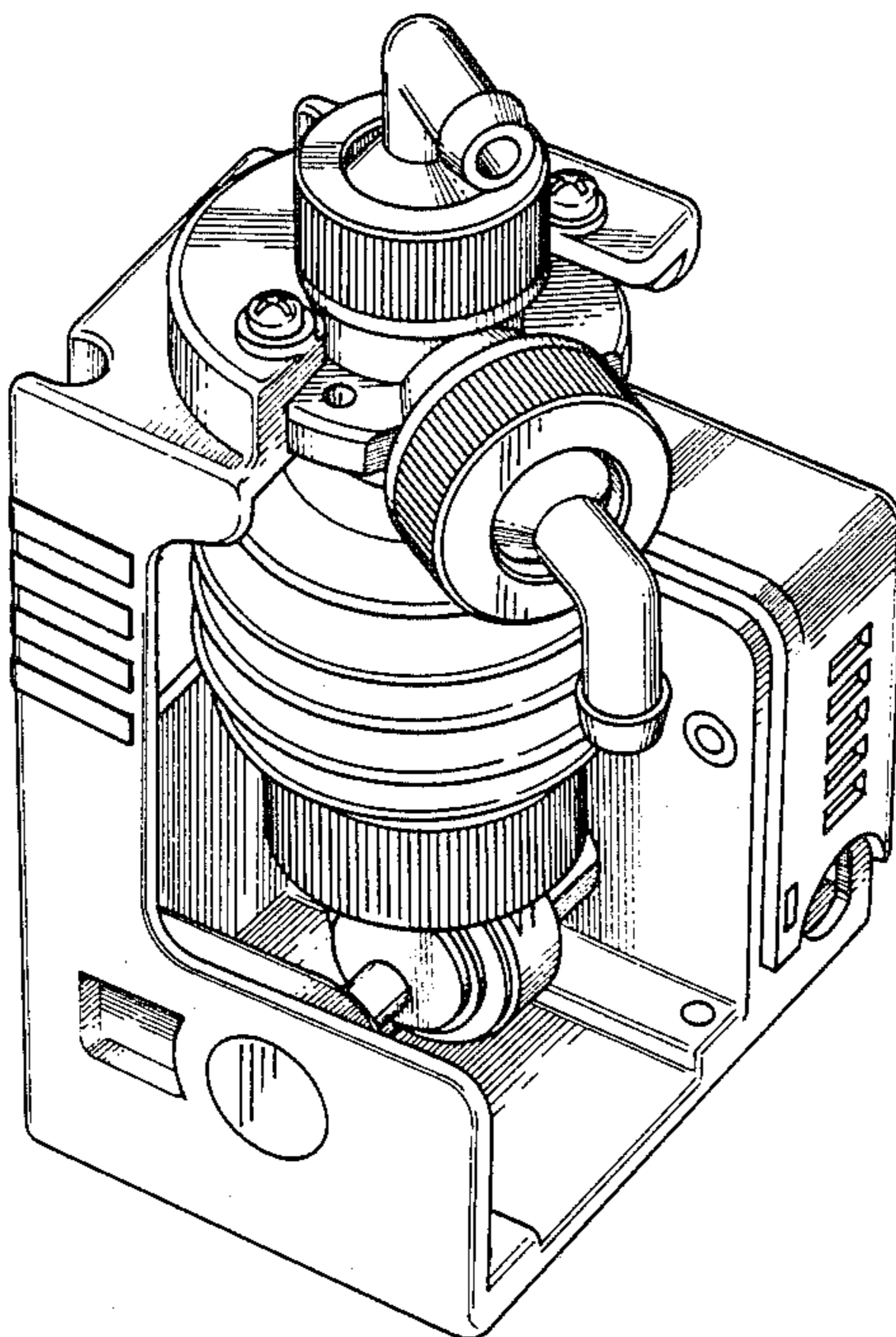


FIG. 1

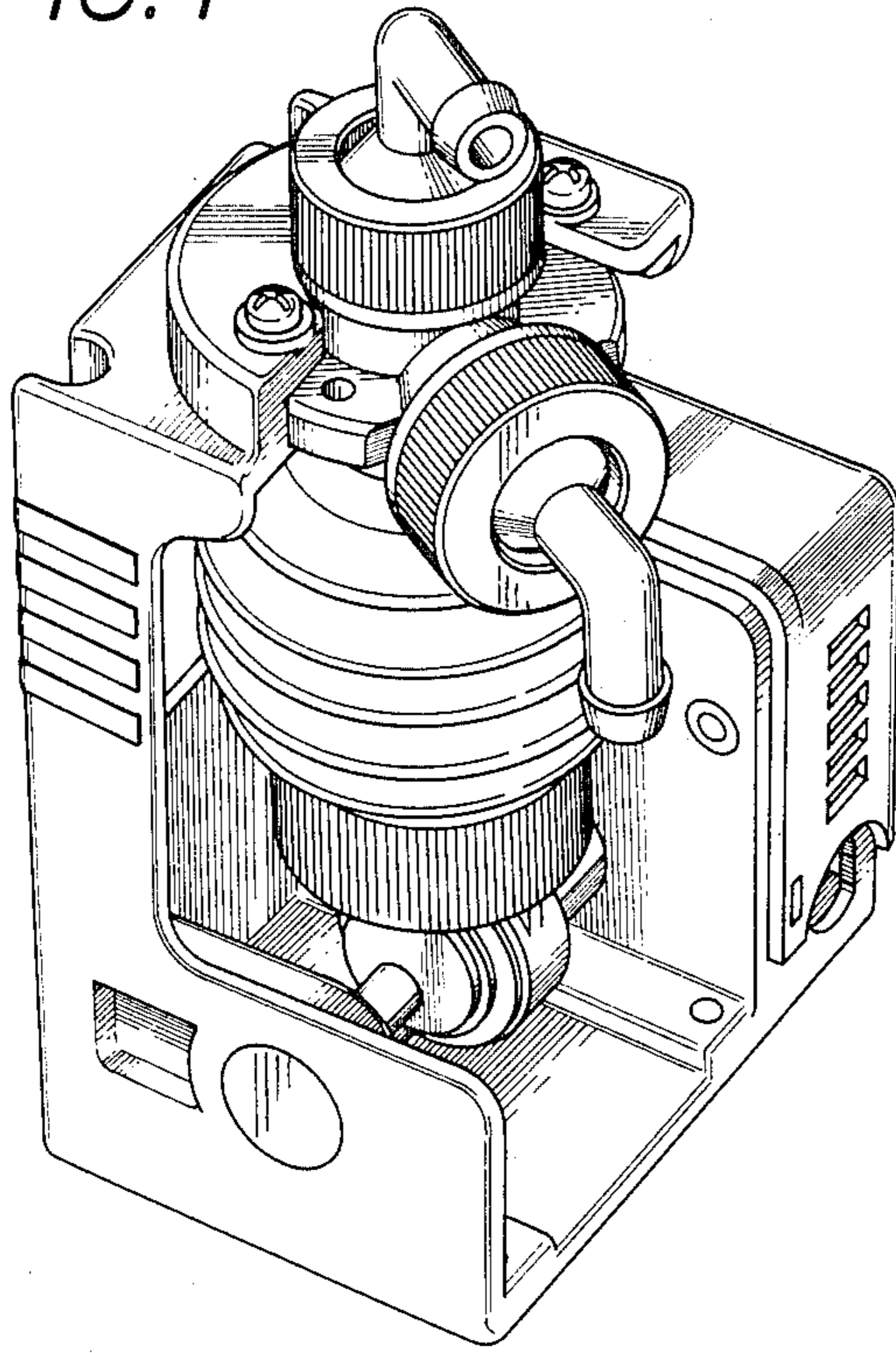


FIG. 2

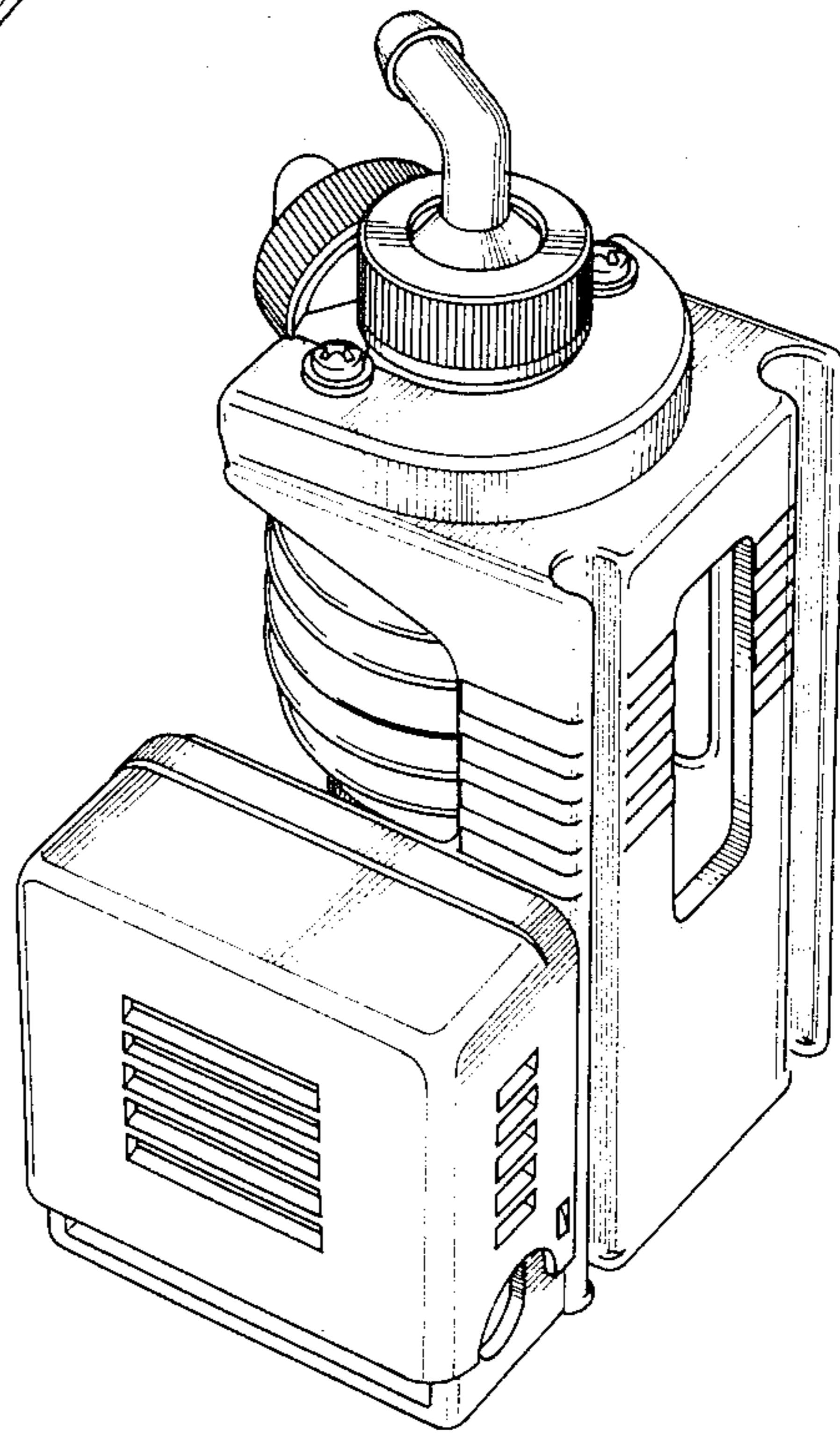


FIG.3

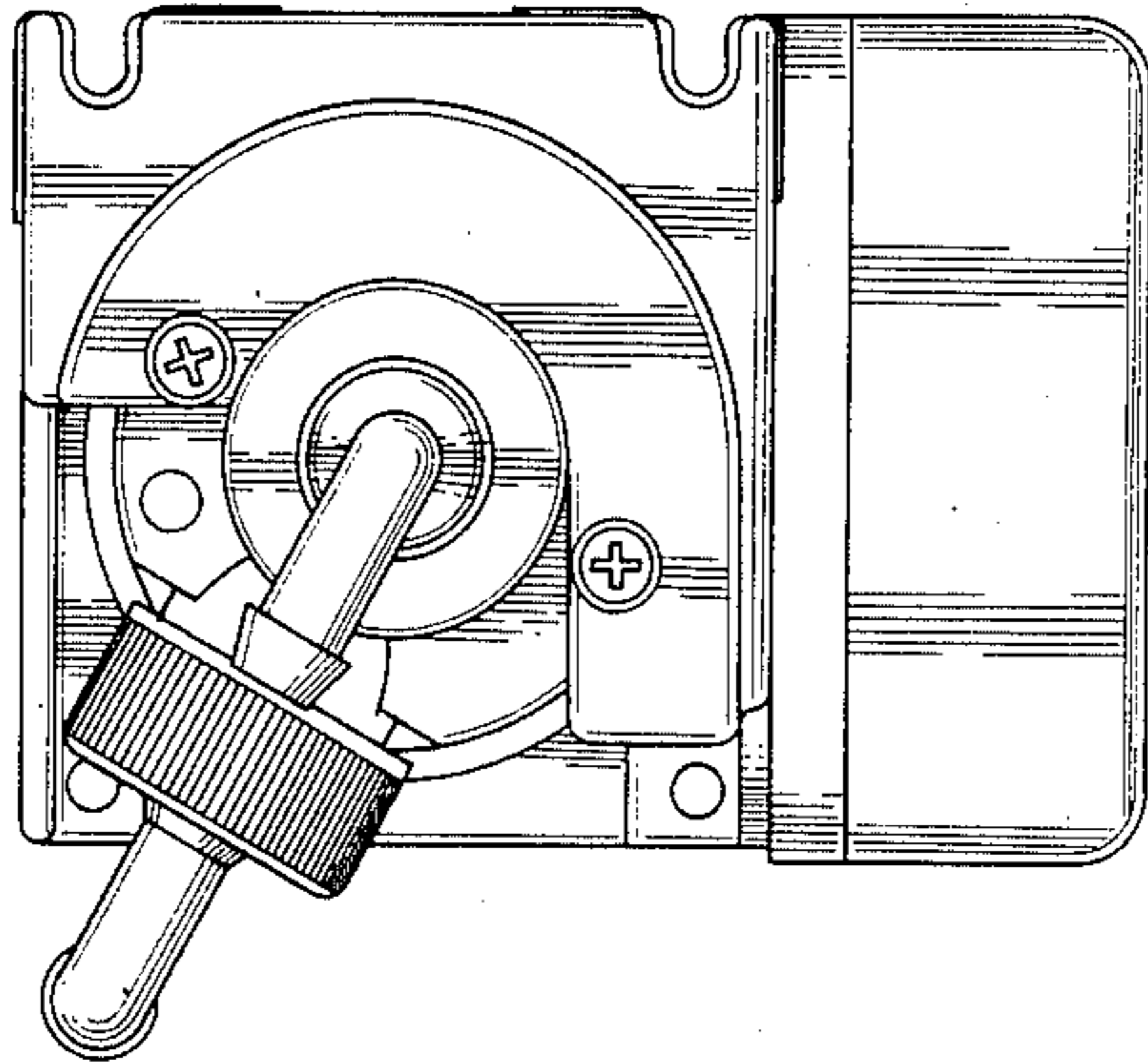


FIG.4

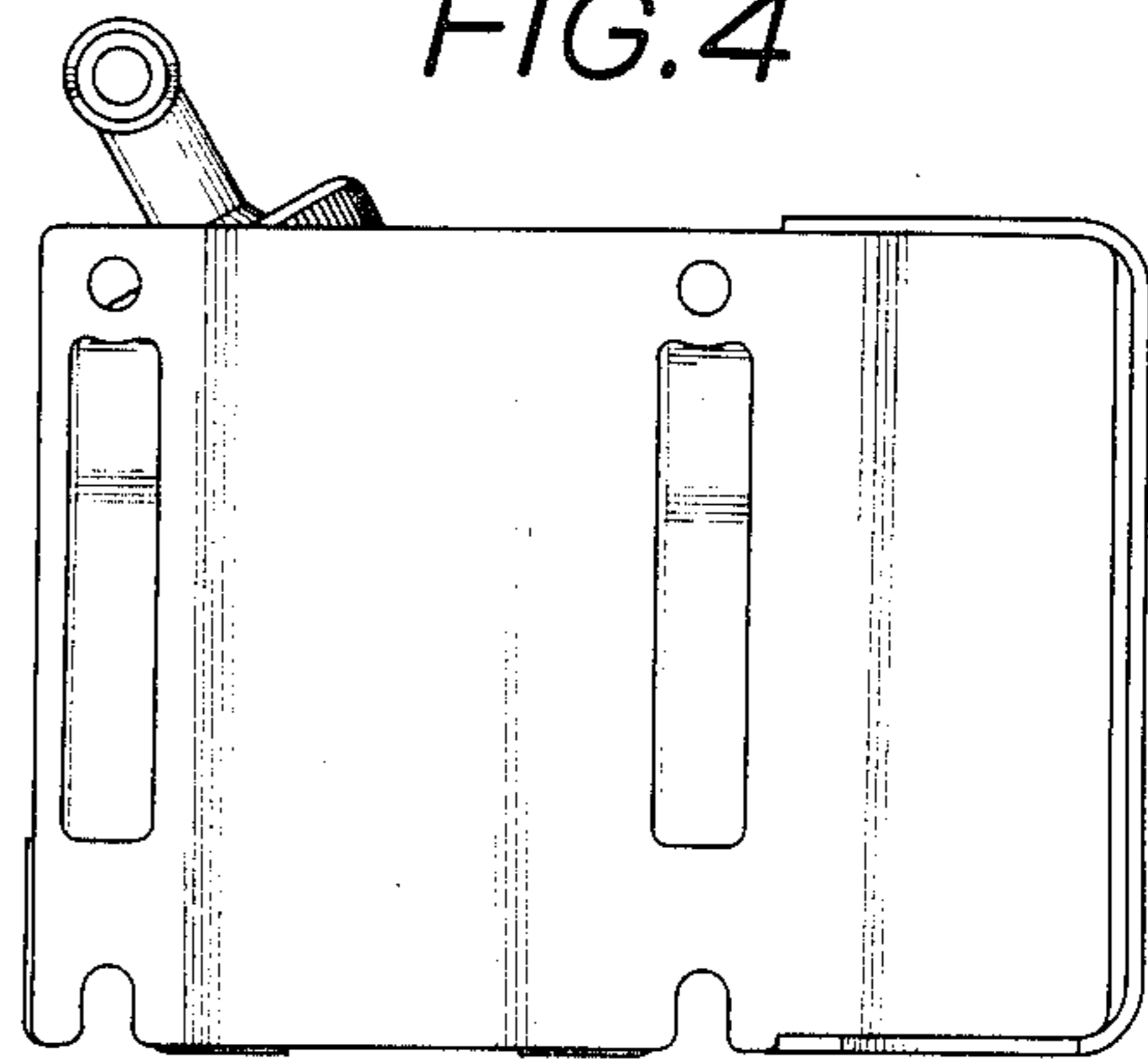


FIG.5

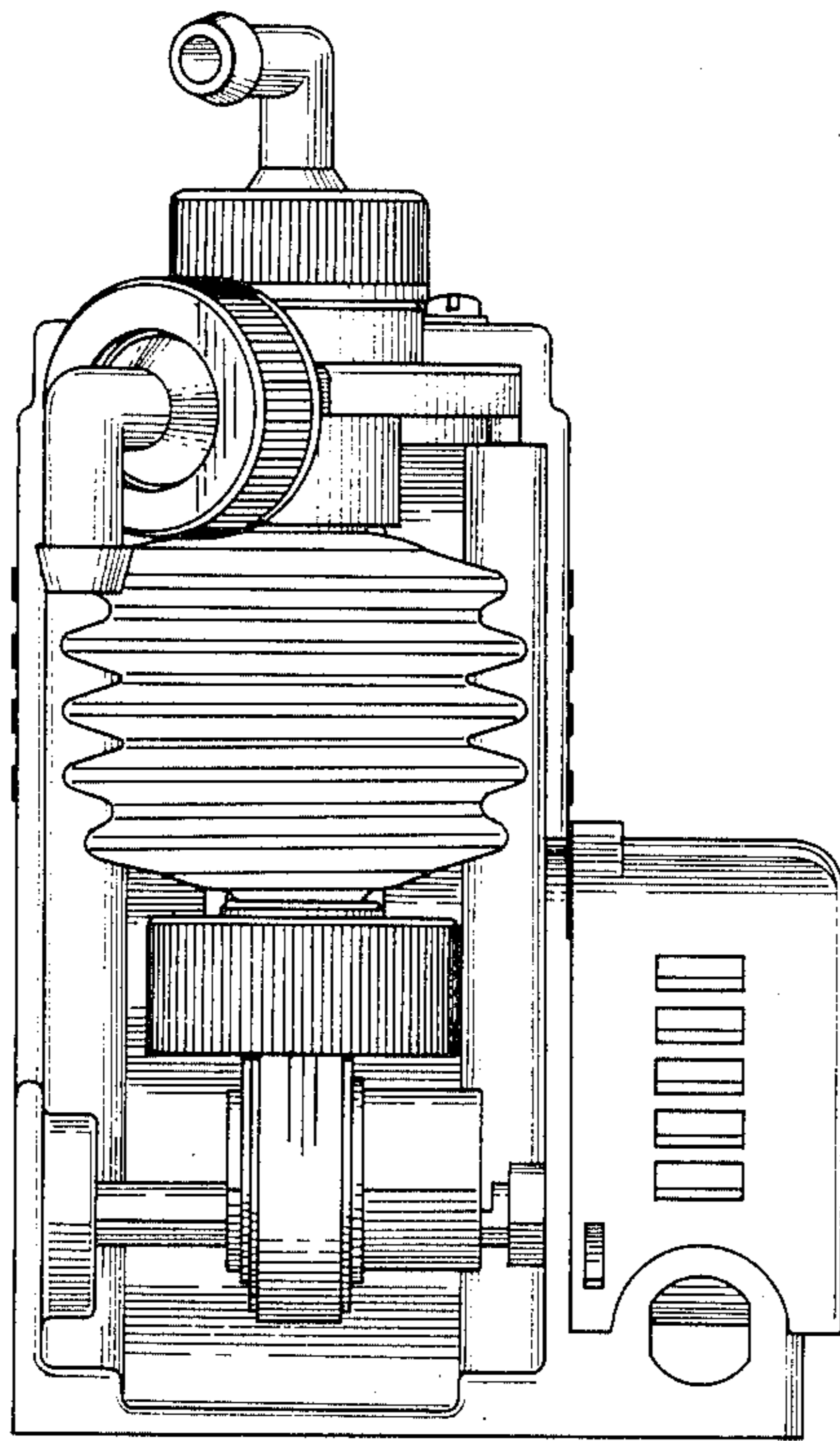


FIG.6

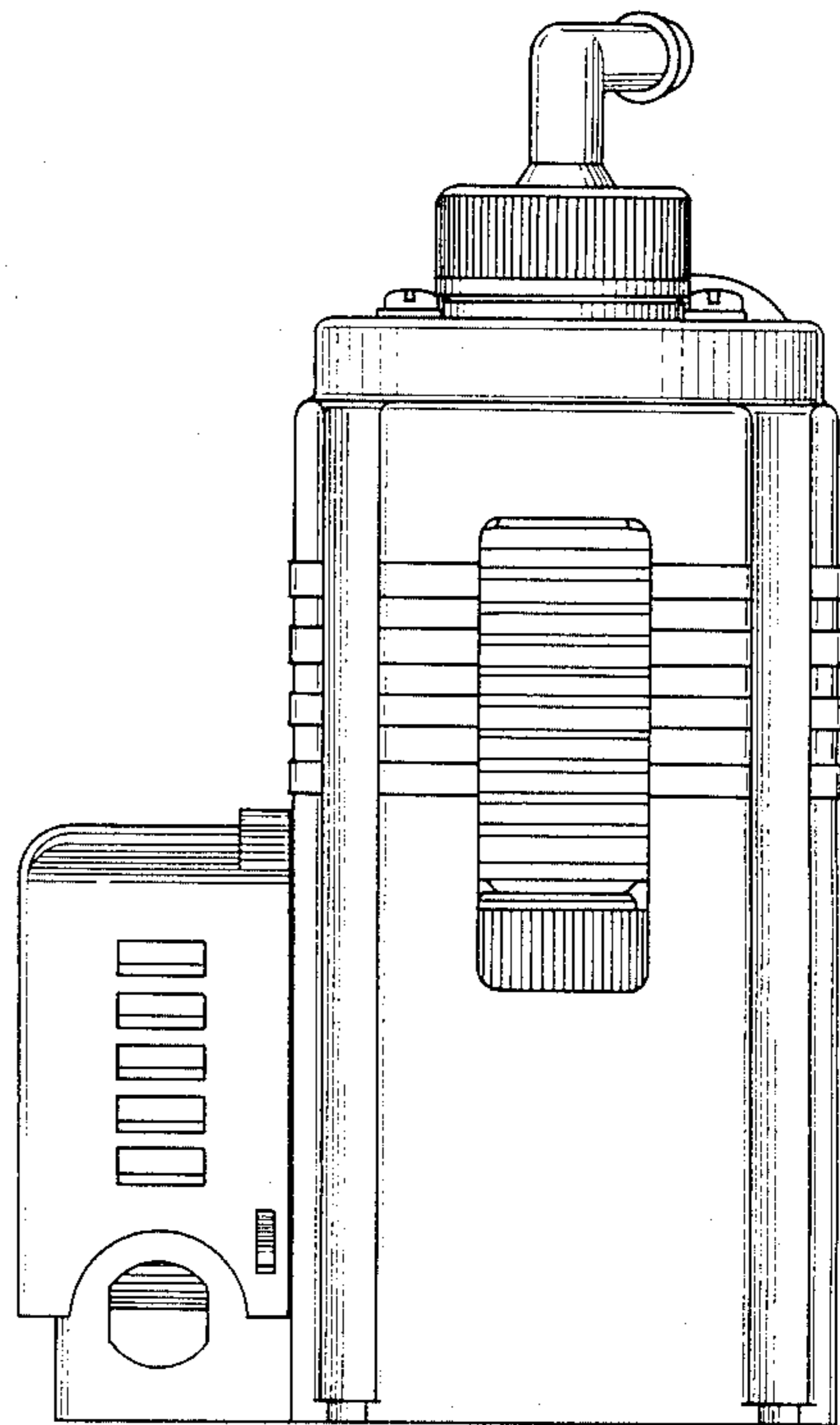


FIG. 7

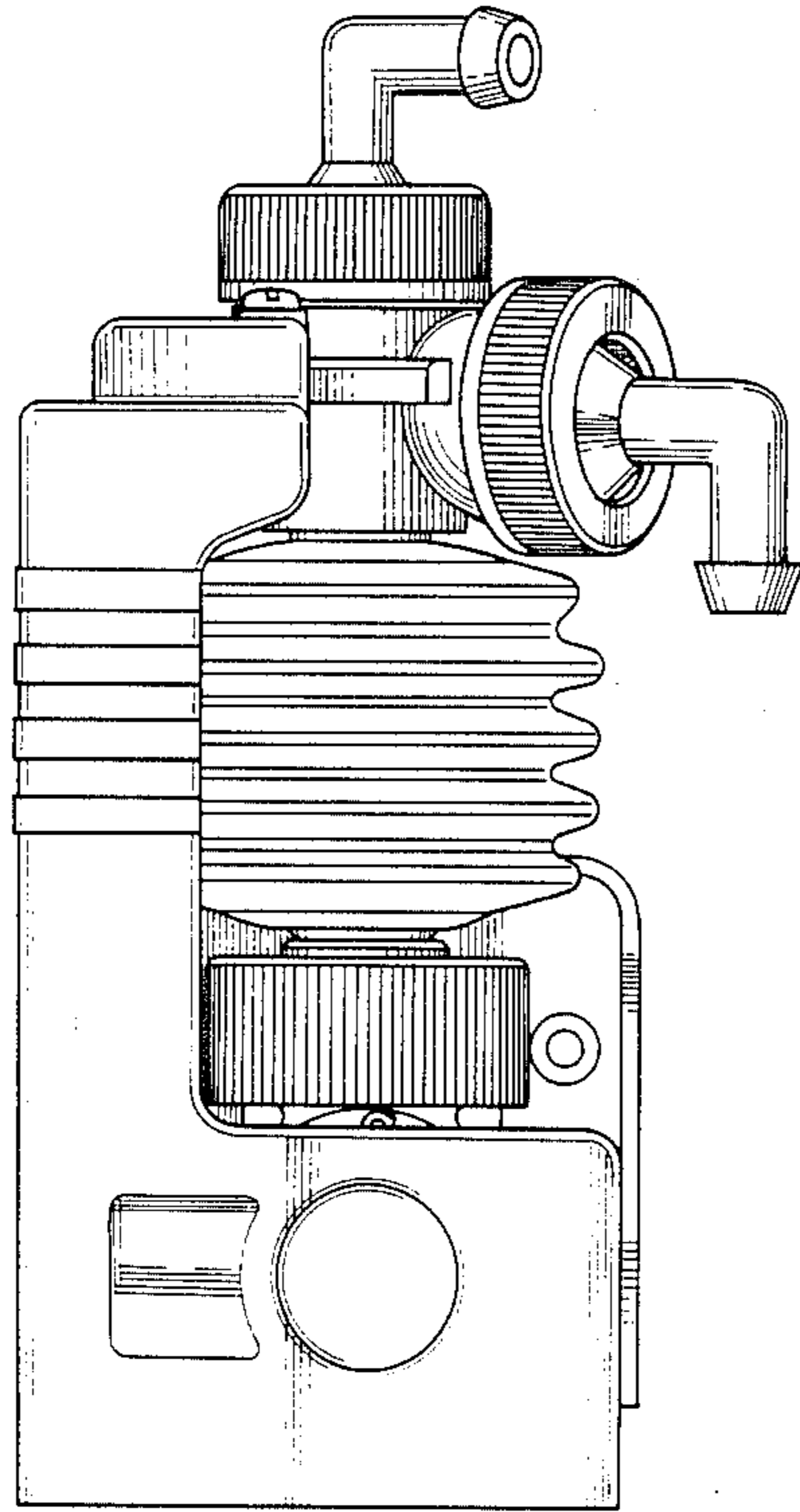


FIG. 8

