

[54] REMOTE CONTROL UNIT

[75] Inventors: William H. Barrett, Woodstock; Joseph A. Gregory, Kingston; Lisa M. Mohr, Woodstock; Louis J. Remsburger, Pine Plains; David L. Schaum, Woodstock, all of N.Y.

[73] Assignee: International Business Machines Corporation, Armonk, N.Y.

[**] Term: 14 Years

[21] Appl. No.: 926,472

[22] Filed: Nov. 3, 1986

[52] U.S. Cl. D14/218

[58] Field of Search D14/1, 2, 10, 26, 68, D14/77, 84, 85, 95, 99; 358/194.1; 455/151, 352-355, 603; D13/32, 99, 12, 35, 38, 40, 41

[56] References Cited

U.S. PATENT DOCUMENTS

- D. 263,466 3/1982 Hiraki D14/1
- D. 282,463 2/1986 Barr et al. D13/32 X
- D. 292,706 11/1987 Fischer D14/85 X
- 4,745,397 5/1988 Lagerbauer et al. 358/194.1 X
- 4,755,883 7/1988 Uehira 358/194.1 X

OTHER PUBLICATIONS

Hong Kong Enterprise, 7/85, p. 195, Pocket Computer.

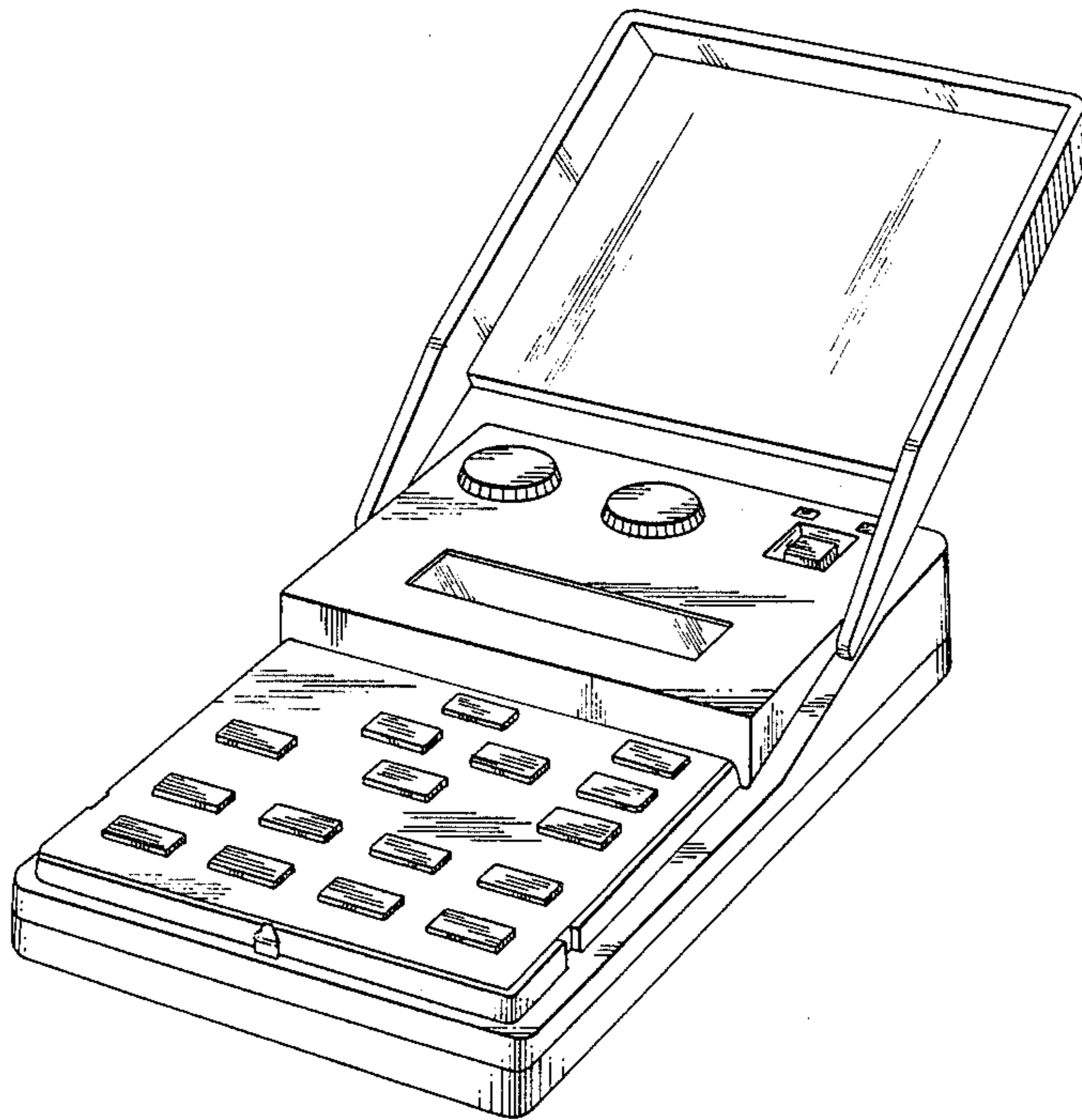
Primary Examiner—Bernard Ansher
Assistant Examiner—Theodore M. Shooman
Attorney, Agent, or Firm—Mark S. Walker; George E. Clark

[57] CLAIM

The ornamental design for a remote control unit, as shown and described.

DESCRIPTION

FIG. 1 is a top, front and right side perspective view of a remote control unit showing our new design;
 FIG. 2 is a top, front and left side perspective view thereof;
 FIG. 3 is a front elevational view thereof, with the cover closed;
 FIG. 4 is a rear elevational view thereof, with the cover closed;
 FIG. 5 is a left side elevation view thereof, with the cover closed;
 FIG. 6 is a right side elevational view thereof, with the cover closed;
 FIG. 7 is a top rear and left side perspective view thereof, with the cover closed;
 FIG. 8 is a top plan view thereof, with the cover closed;
 FIG. 9 is a bottom plan view thereof, with the cover closed; and
 FIG. 10 is a top, front and left side perspective view thereof, with the cover closed.



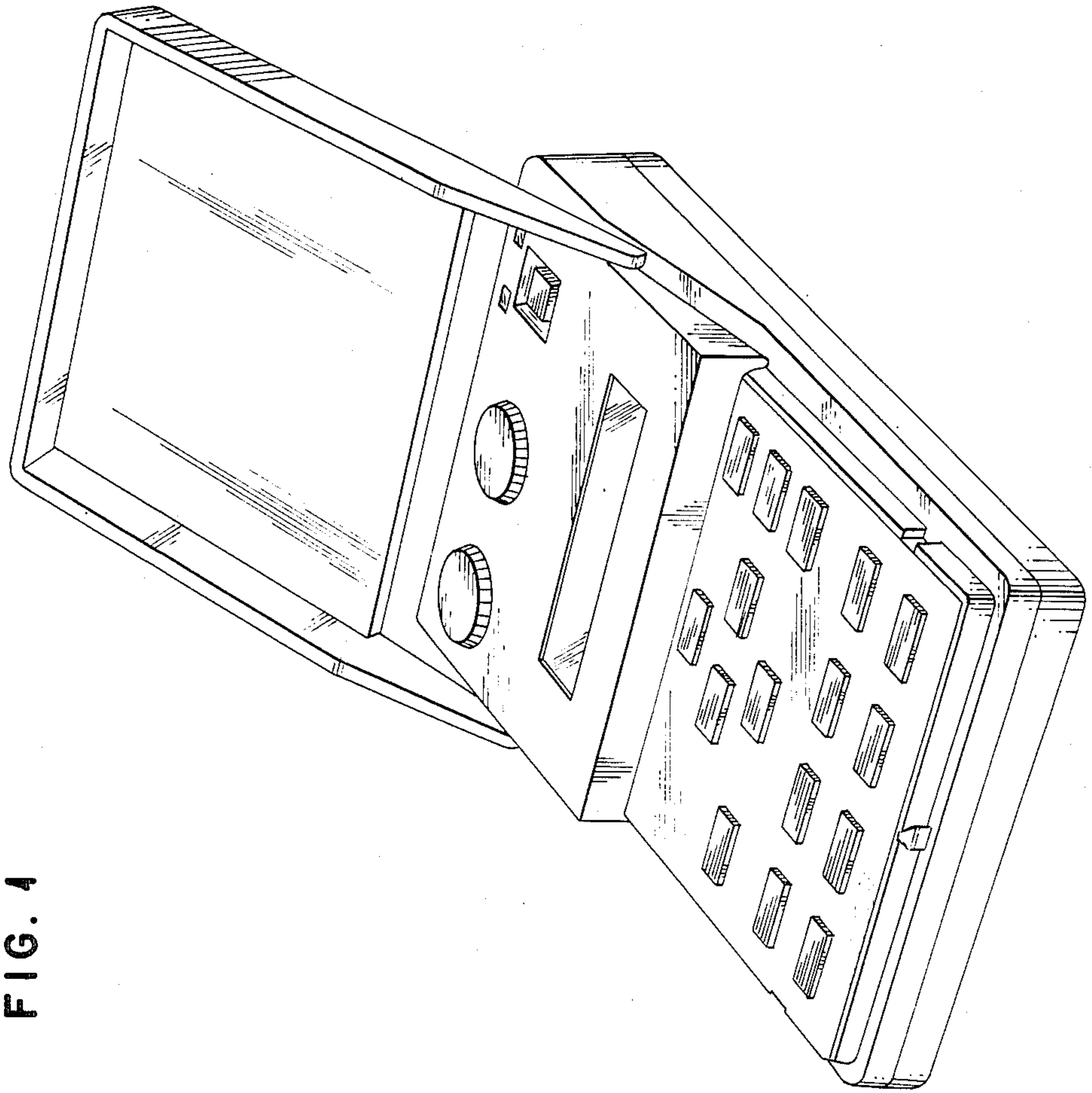


FIG. 4

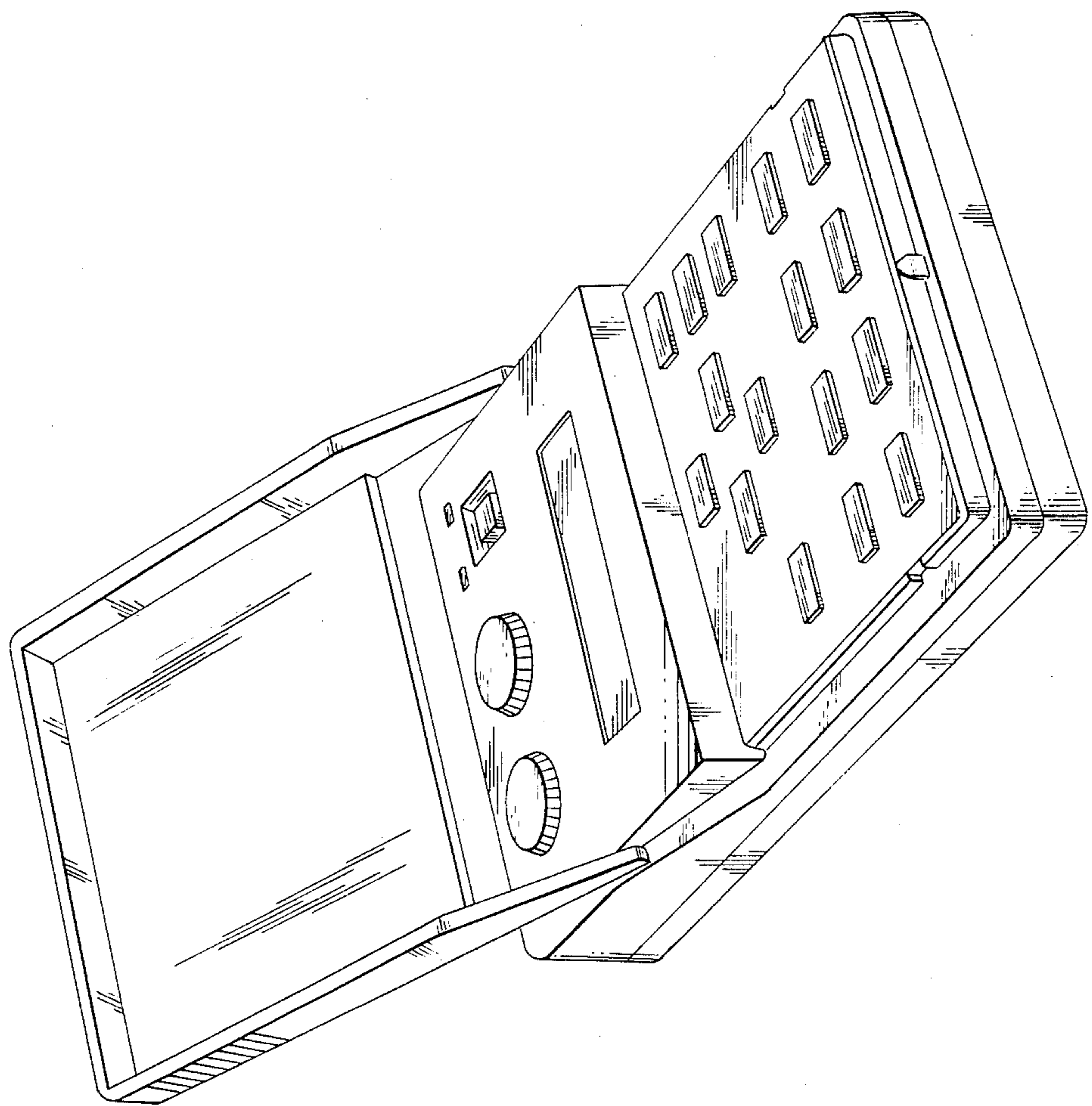


FIG. 2

FIG. 3

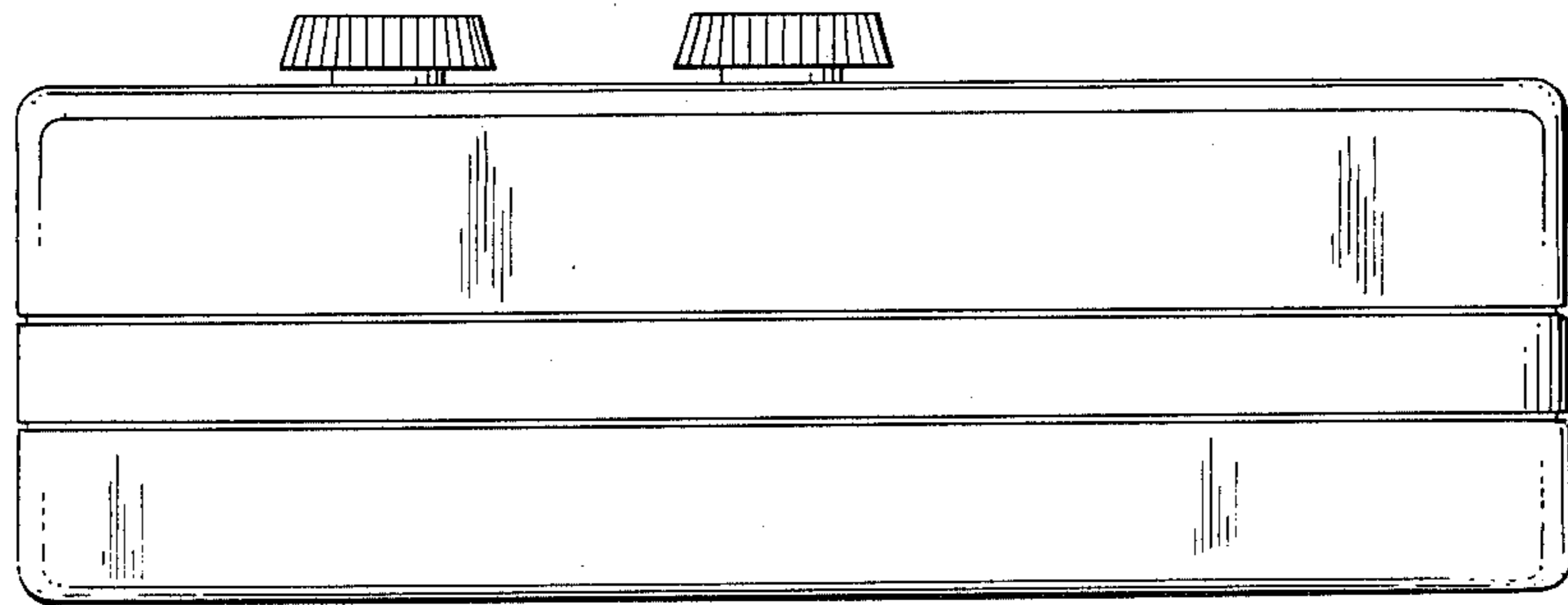


FIG. 4

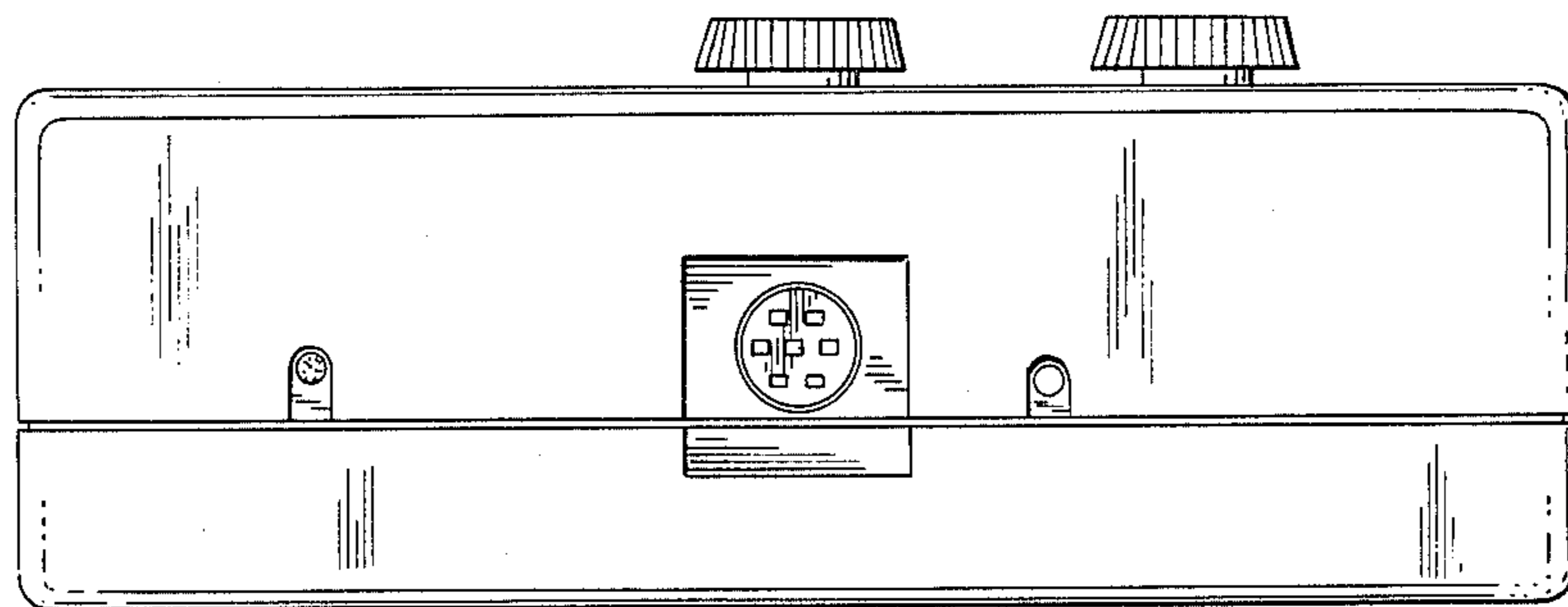


FIG. 5

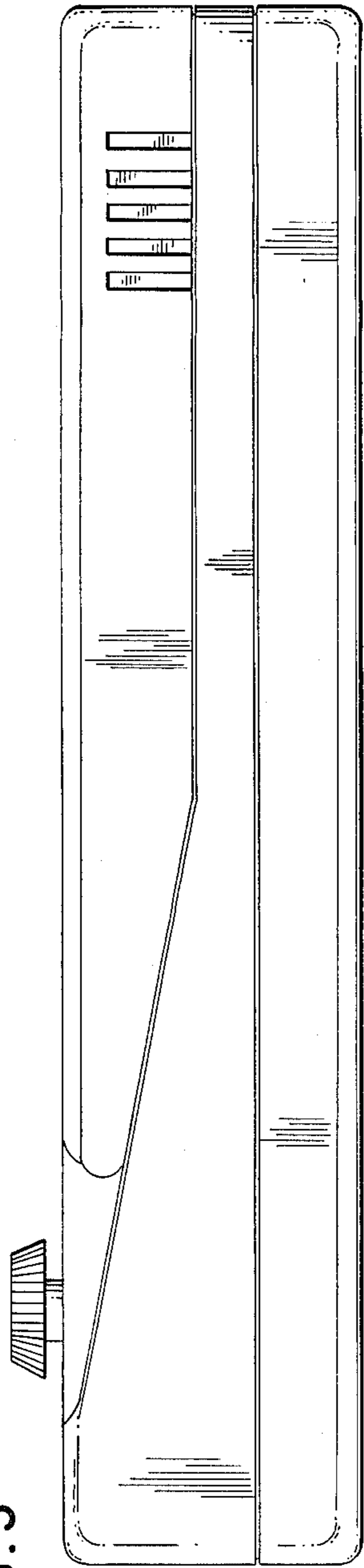


FIG. 6

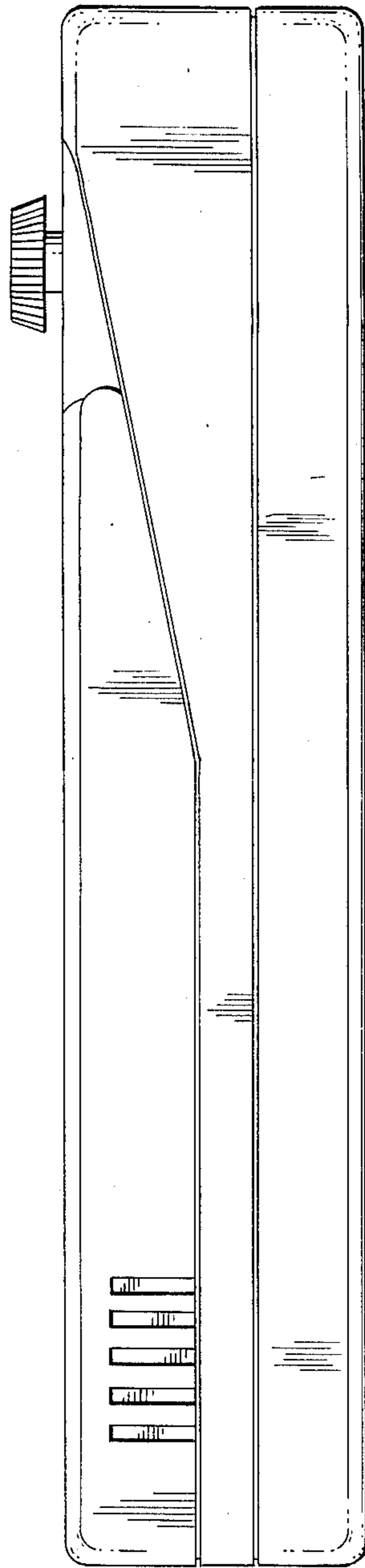


FIG. 7

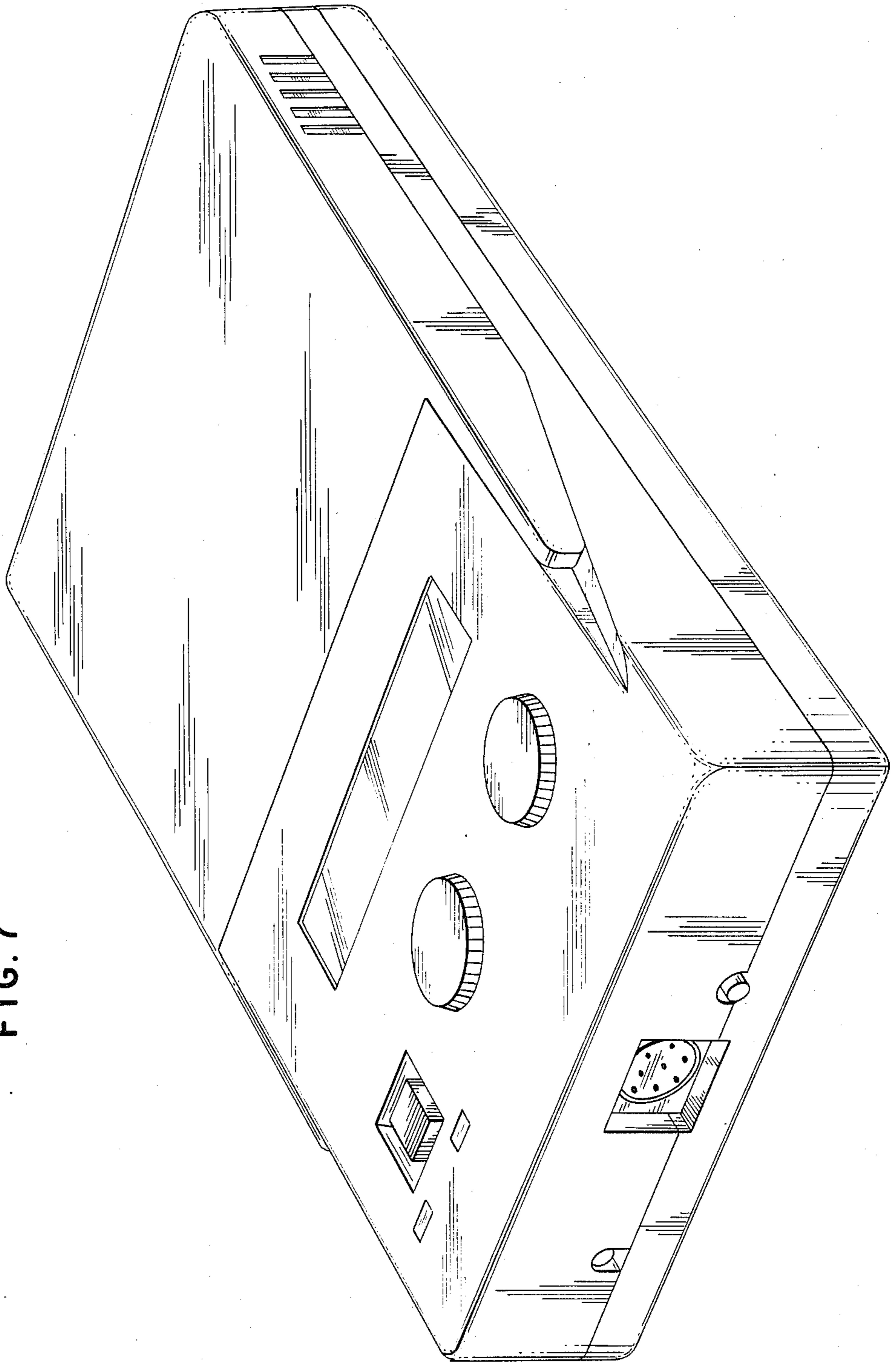


FIG. 8

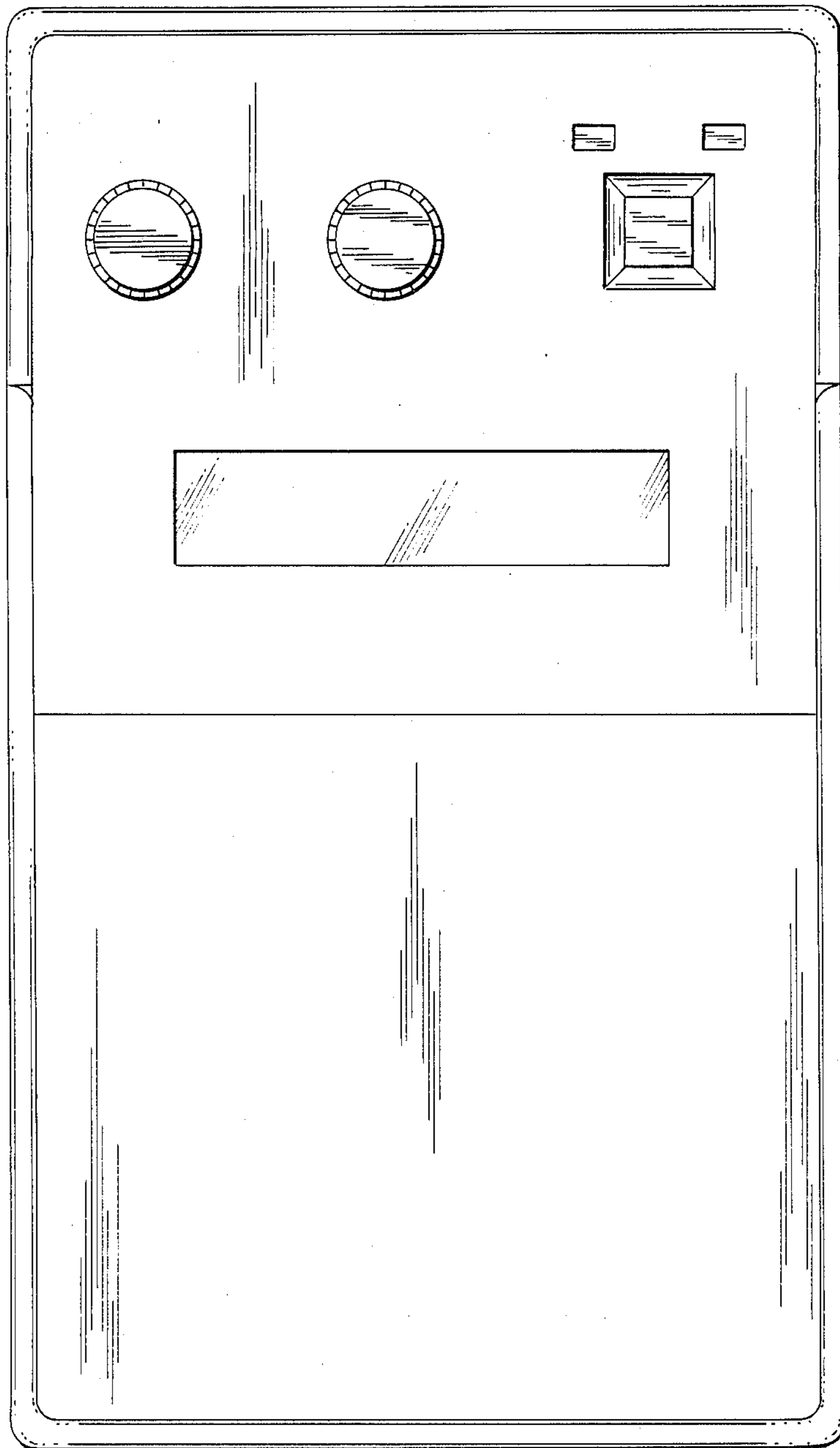
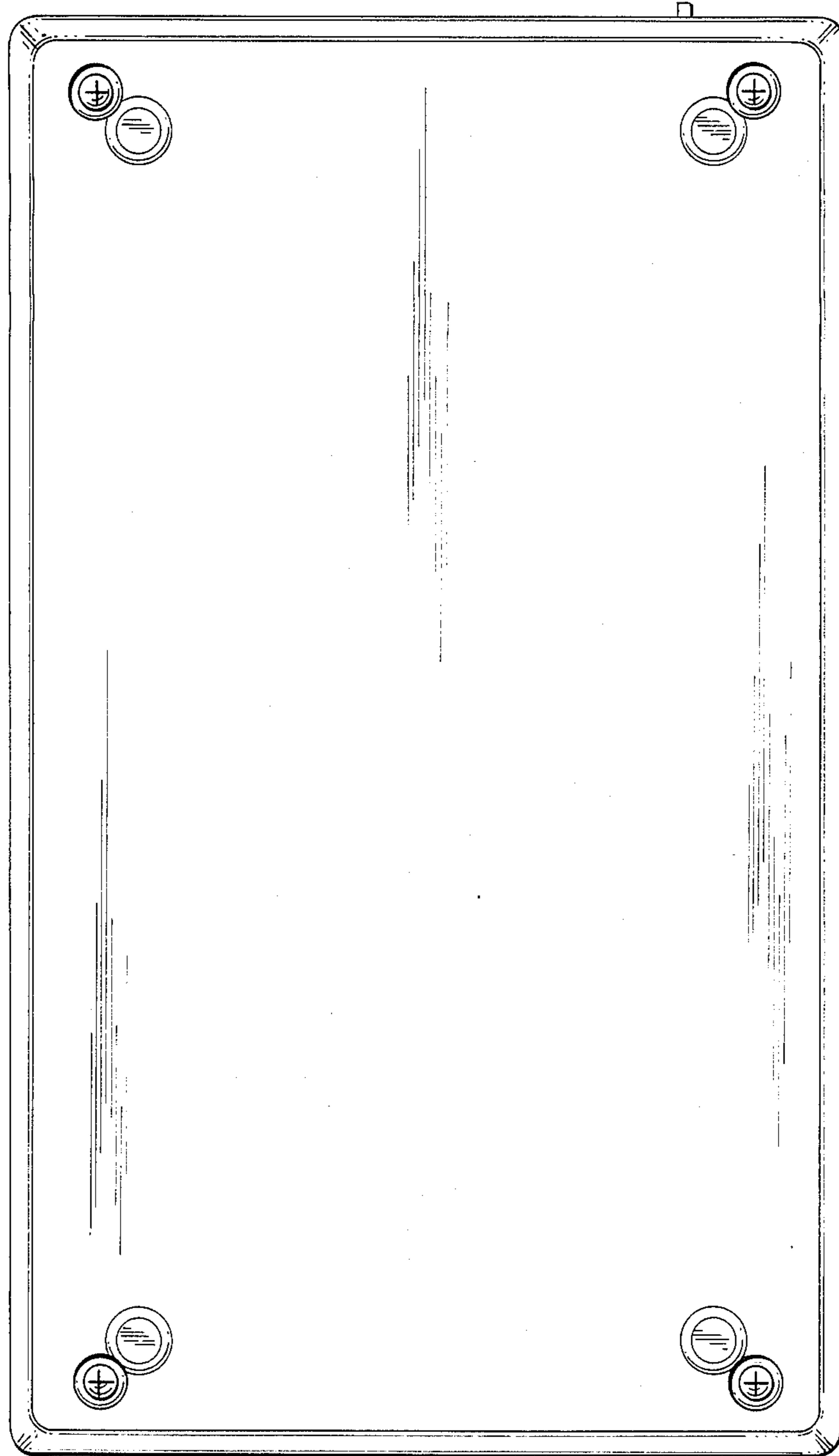


FIG. 9



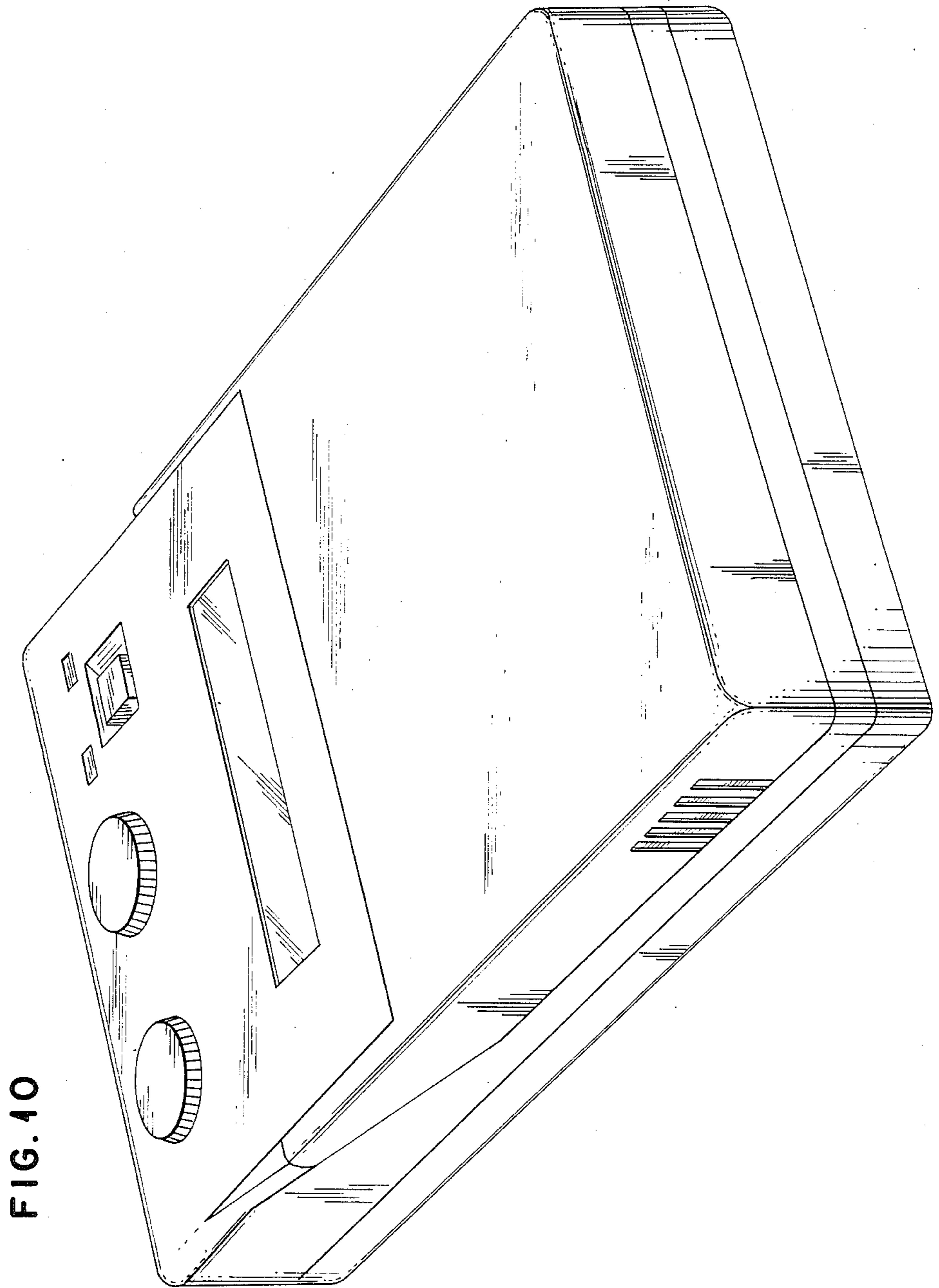


FIG. 40