

[54] INTERCALL CONSOLE MODULE DEVICE FOR A TELEPHONE SET

[75] Inventor: Tadamine To, Kawasaki, Japan

[73] Assignee: Nitsuko Corporation, Kawasaki, Japan

[**] Term: 14 Years

[21] Appl. No.: 63,288

[22] Filed: Jun. 17, 1987

[30] Foreign Application Priority Data

Dec. 17, 1986 [JP] Japan 61-49690

[52] U.S. Cl. D14/151; D14/241

[58] Field of Search D14/52, 53, 57, 58, D14/59, 60, 63; 379/165, 156, 419, 420, 428, 432, 433, 436, 440

[56] References Cited

U.S. PATENT DOCUMENTS

- D. 236,627 7/1975 Henshaw et al. D14/63
- D. 269,780 7/1983 Doodson D14/92 X
- D. 278,054 3/1985 Vajdaffy D14/92 X
- D. 278,055 3/1985 Vajdaffy D14/92 X
- D. 282,841 3/1986 Inaba et al. D14/58
- D. 283,508 4/1986 Miyake D14/62 X
- D. 284,079 6/1986 Kita et al. D14/62 X
- D. 284,188 6/1986 Kondo et al. D14/58
- D. 287,012 12/1986 Yanagida et al. D14/53 X
- D. 287,361 12/1986 Sekiguchi et al. D14/62 X

- D. 293,101 12/1987 Sherill et al. D14/59 X
- D. 293,439 12/1987 Nogas D14/58
- D. 294,350 2/1988 Maliskas D14/58
- D. 295,514 5/1988 Inaba D14/62 X
- 4,602,132 7/1986 Nagatomi et al. 379/165 X

OTHER PUBLICATIONS

B. A. Pargh catalog ©1985; p. 247, Sanyo MD3030; p. 250, Code-A-Phone 8410C; GE 29280; p. 254 Panasonic VA 8060; p. 255; Uniden XE30; p. 260, Uniden EX1040; Teleconcept Inc. 036212. Telconnect Guide for Phone Systems, published 6/1985; Items #13; #15; #17; #32; #65 AT&T Merlin; #66; #72; #73; #74.

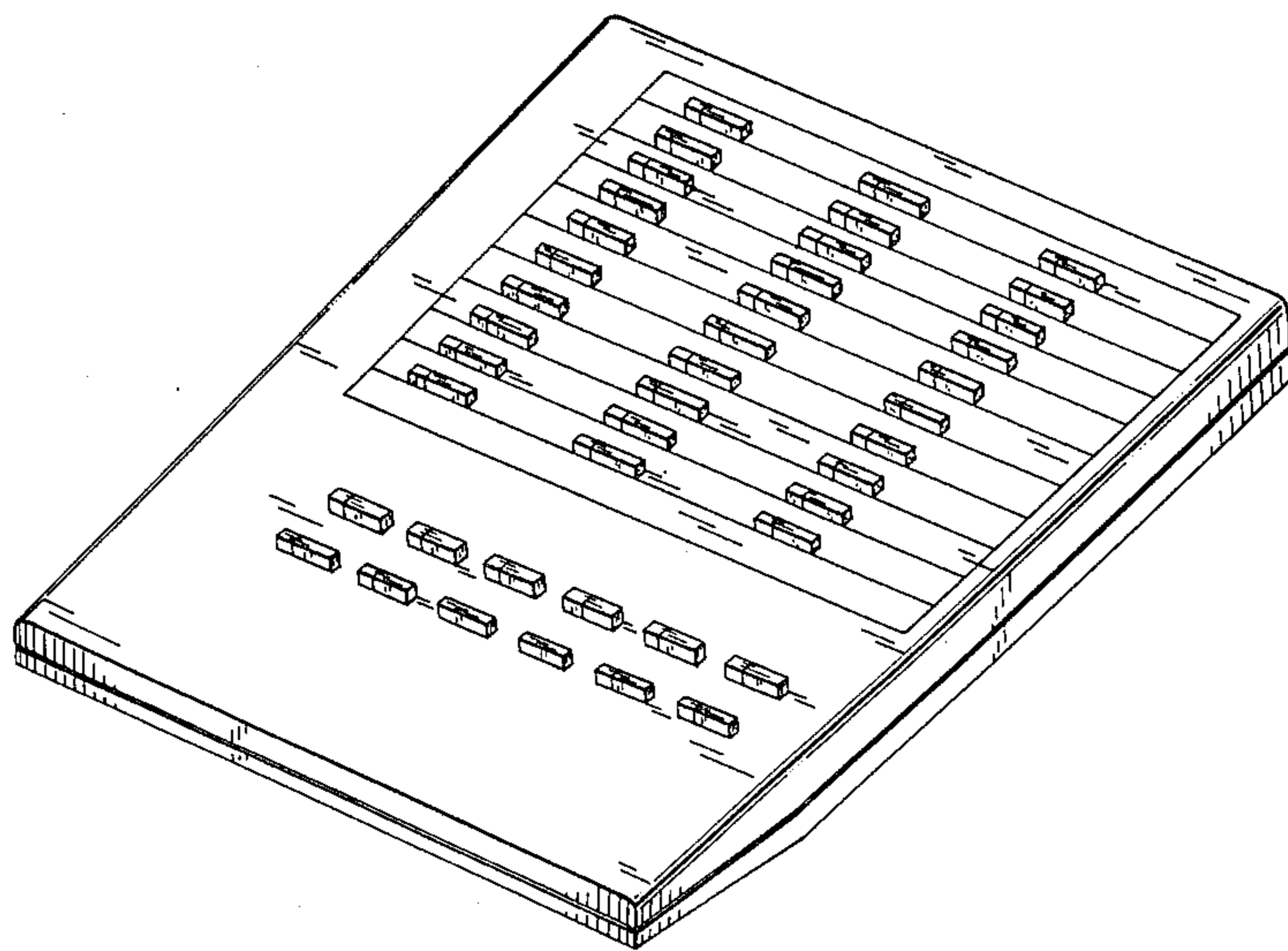
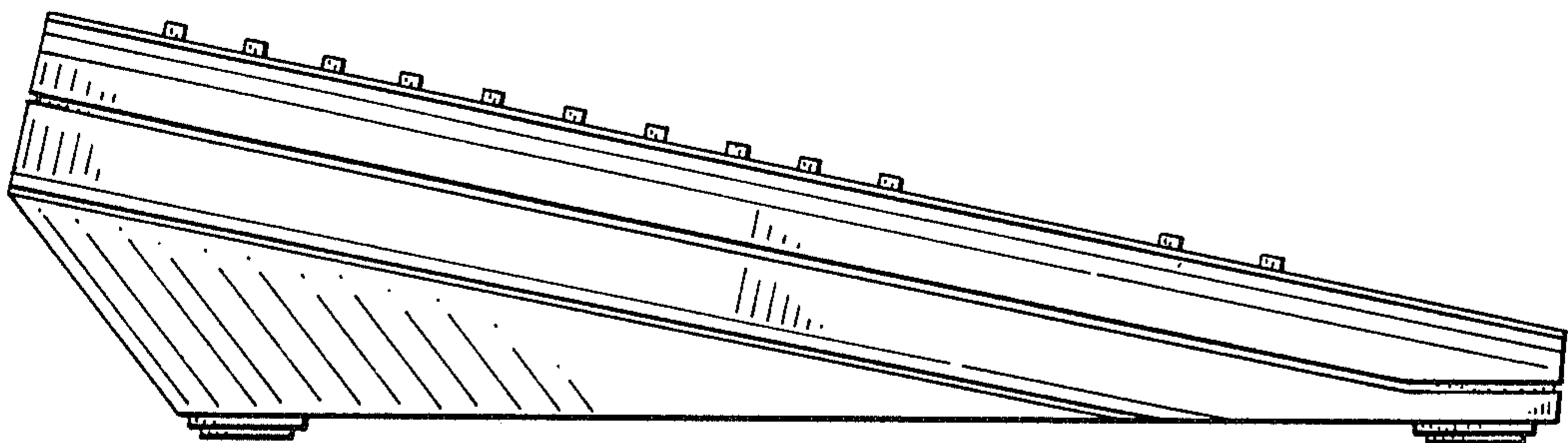
Primary Examiner—Horace B. Fay, Jr.
Attorney, Agent, or Firm—Roberts, Spicencs & Cohen

[57] CLAIM

The ornamental design for an intercall console module device for a telephone set, as shown and described.

DESCRIPTION

FIGS. 1 and 2 are respectively front and rear elevational views of an intercall console module device for a telephone set showing my new design; FIGS. 3 and 4 are respectively top and bottom plan views thereof; FIGS. 5 and 6 are respectively left and right side elevational views thereof; and FIG. 7 is a perspective view thereof.



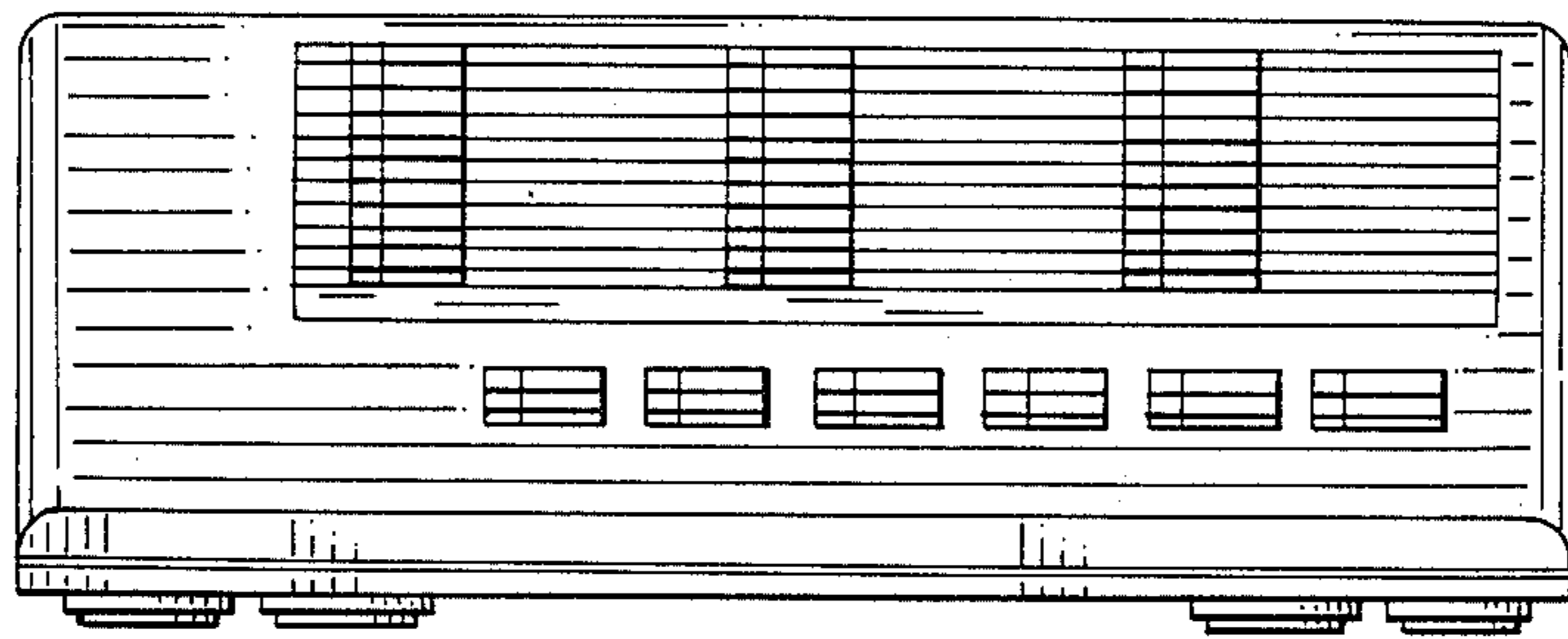


FIG. 1

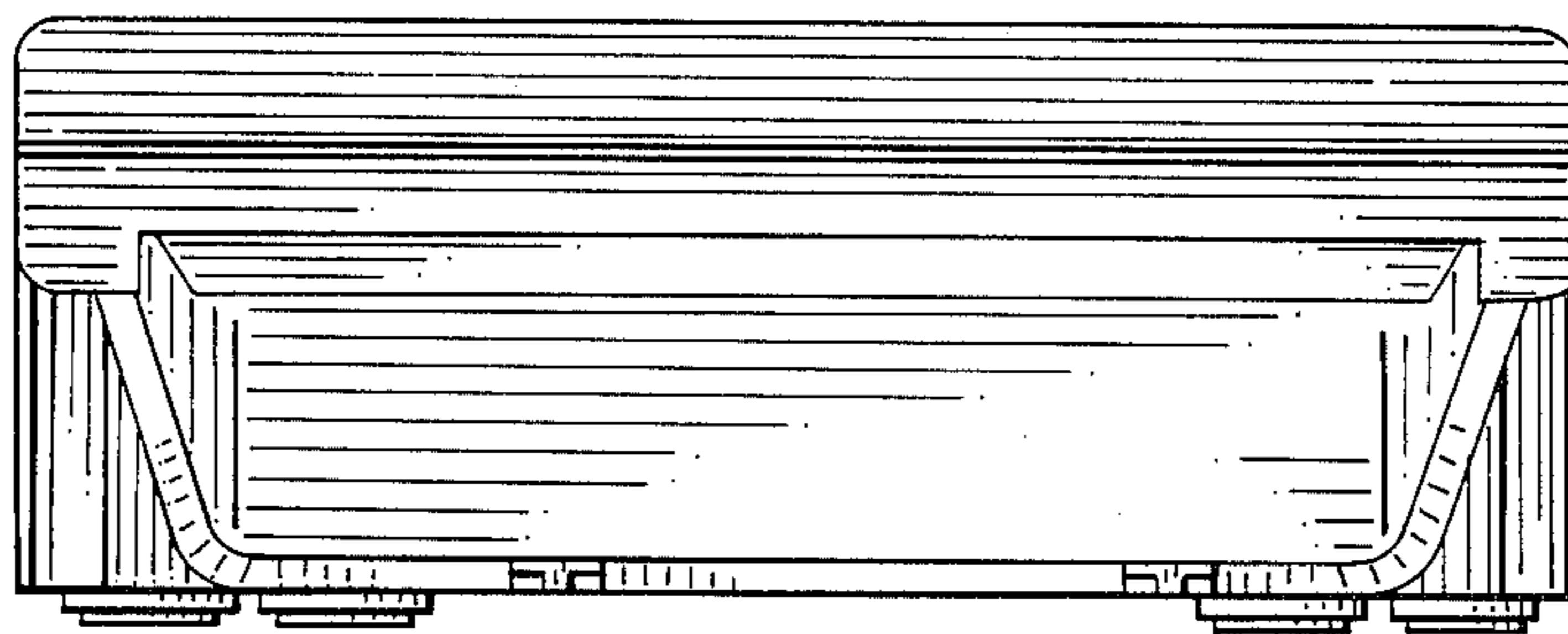


FIG. 2

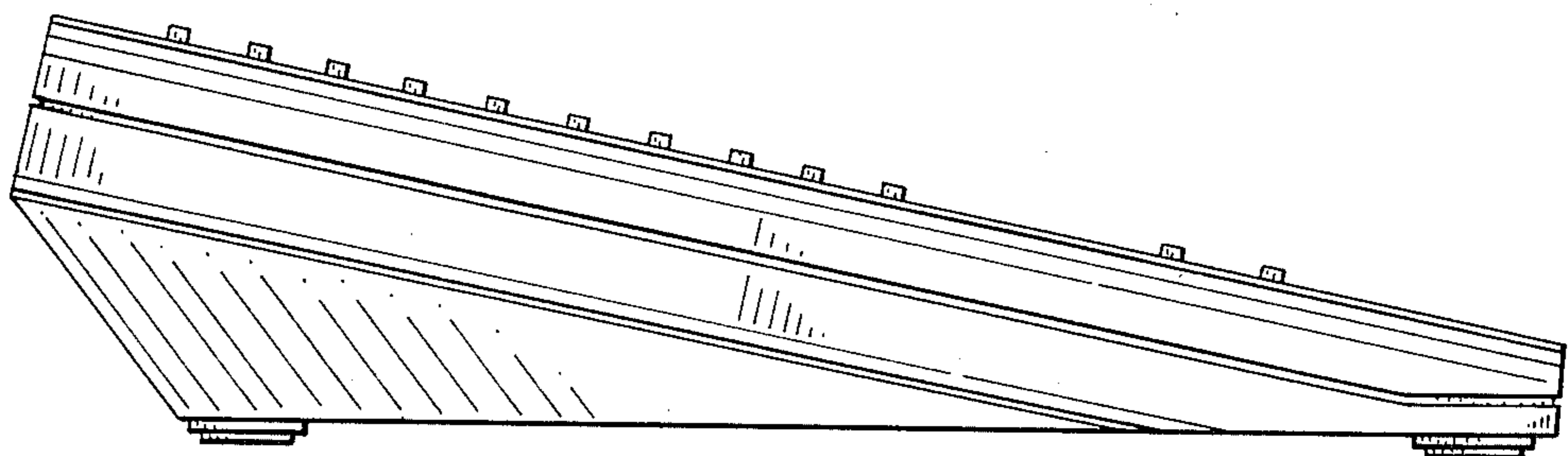


FIG. 5

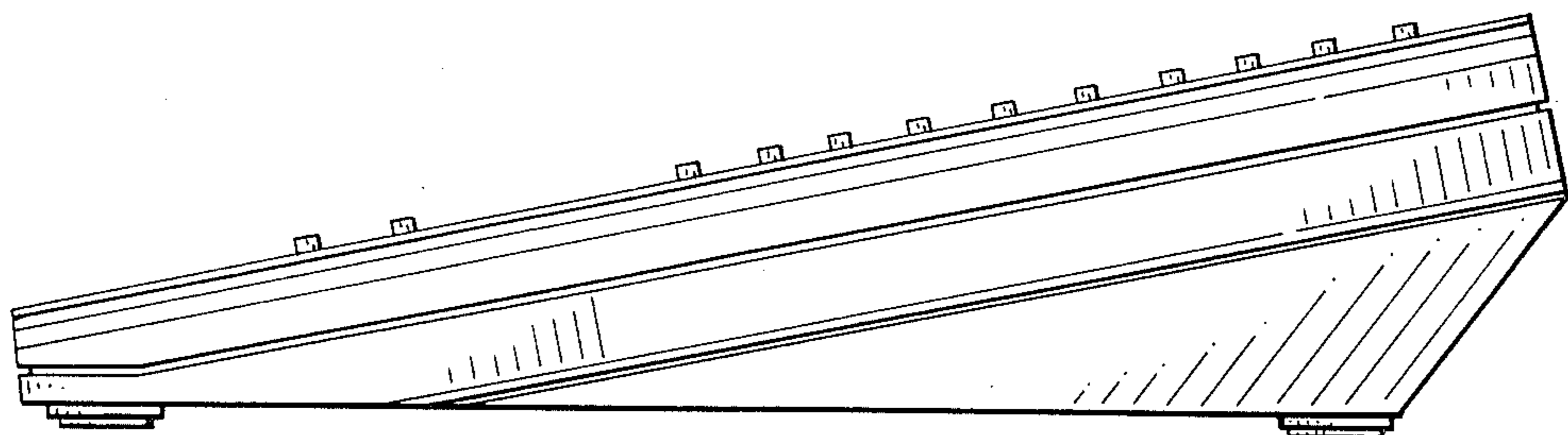


FIG. 6

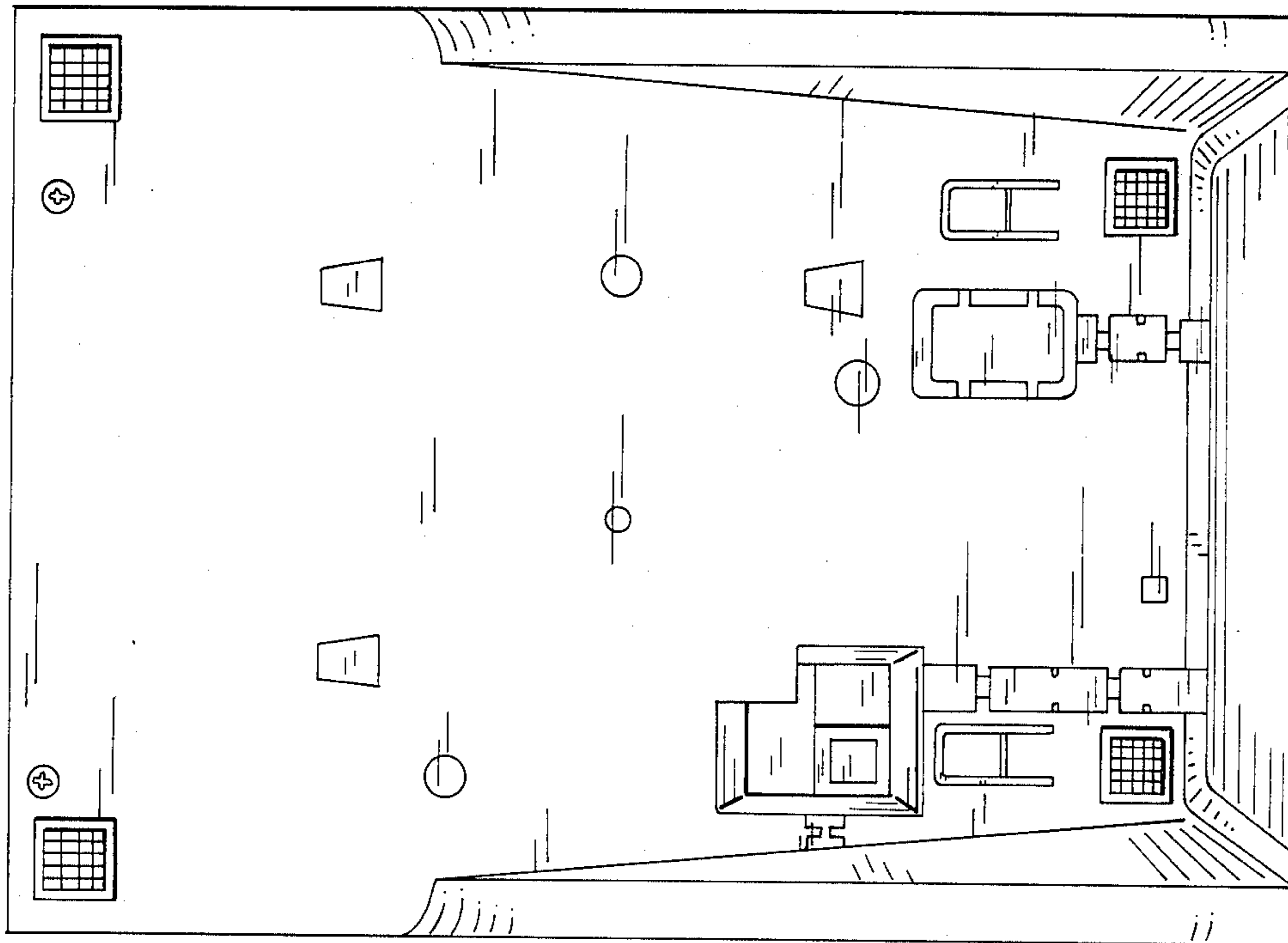


FIG. 4

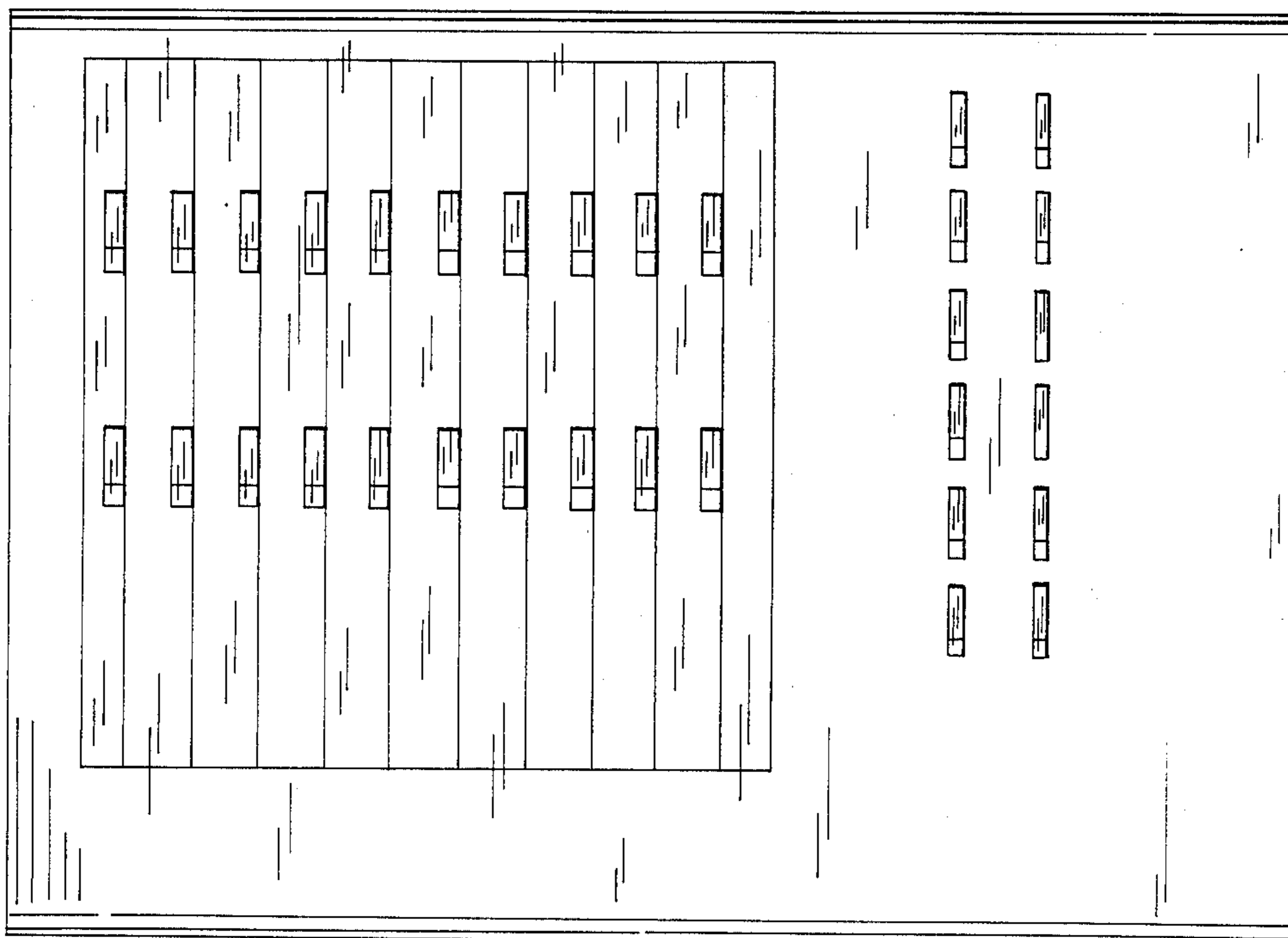


FIG. 3

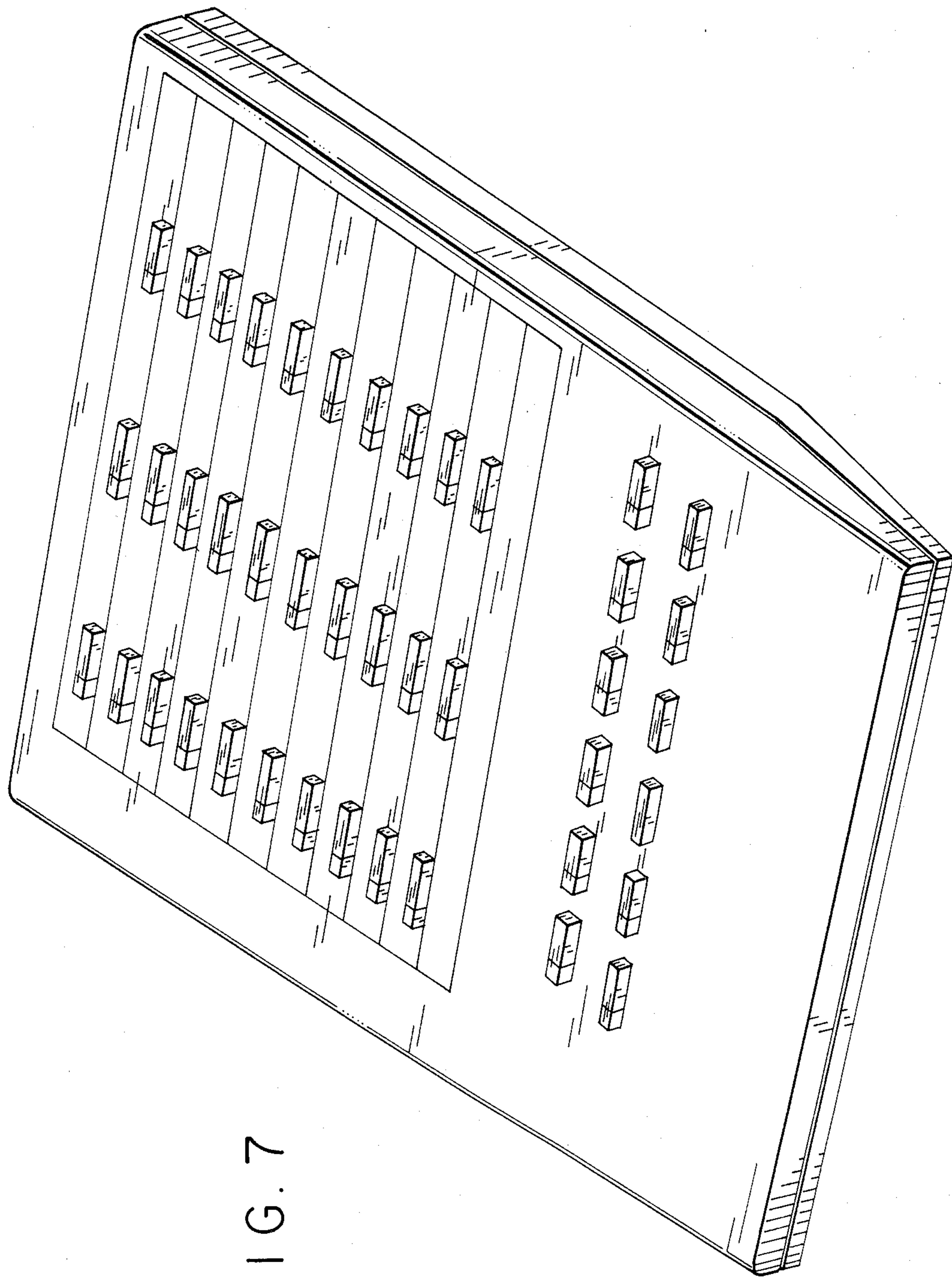


FIG. 7