

[54] HOUSING FOR ELECTRONIC MODULES

4,582,375 4/1986 Keller 361/415

[75] Inventor: John M. Klebba, Golden, Colo.

Primary Examiner—Wallace R. Burke

Assistant Examiner—Ruth Takemoto

Attorney, Agent, or Firm—W. Scott Carson

[73] Assignee: Geomation, Inc., Golden, Colo.

[**] Term: 14 Years

[57] CLAIM

[21] Appl. No.: 896,627

The ornamental design for housing for electronic modules, as shown and described.

[22] Filed: Aug. 14, 1986

DESCRIPTION

[52] U.S. Cl. D13/40

[58] Field of Search D13/12, 40-41, D13/99; 361/118, 331, 380, 390-395, 415

FIG. 1 is as enlarged top perspective view of a housing for electronic modules showing my new design, the keyboard and display panel shown in broken lines are for illustrative purposes only and form no part of the claimed design;

[56] References Cited

U.S. PATENT DOCUMENTS

- D. 245,905 9/1977 Taylor D13/41
- D. 288,804 3/1987 Hakanen D13/41
- 4,404,615 9/1983 Dep 361/212
- 4,498,123 2/1985 Fuss et al. 361/391

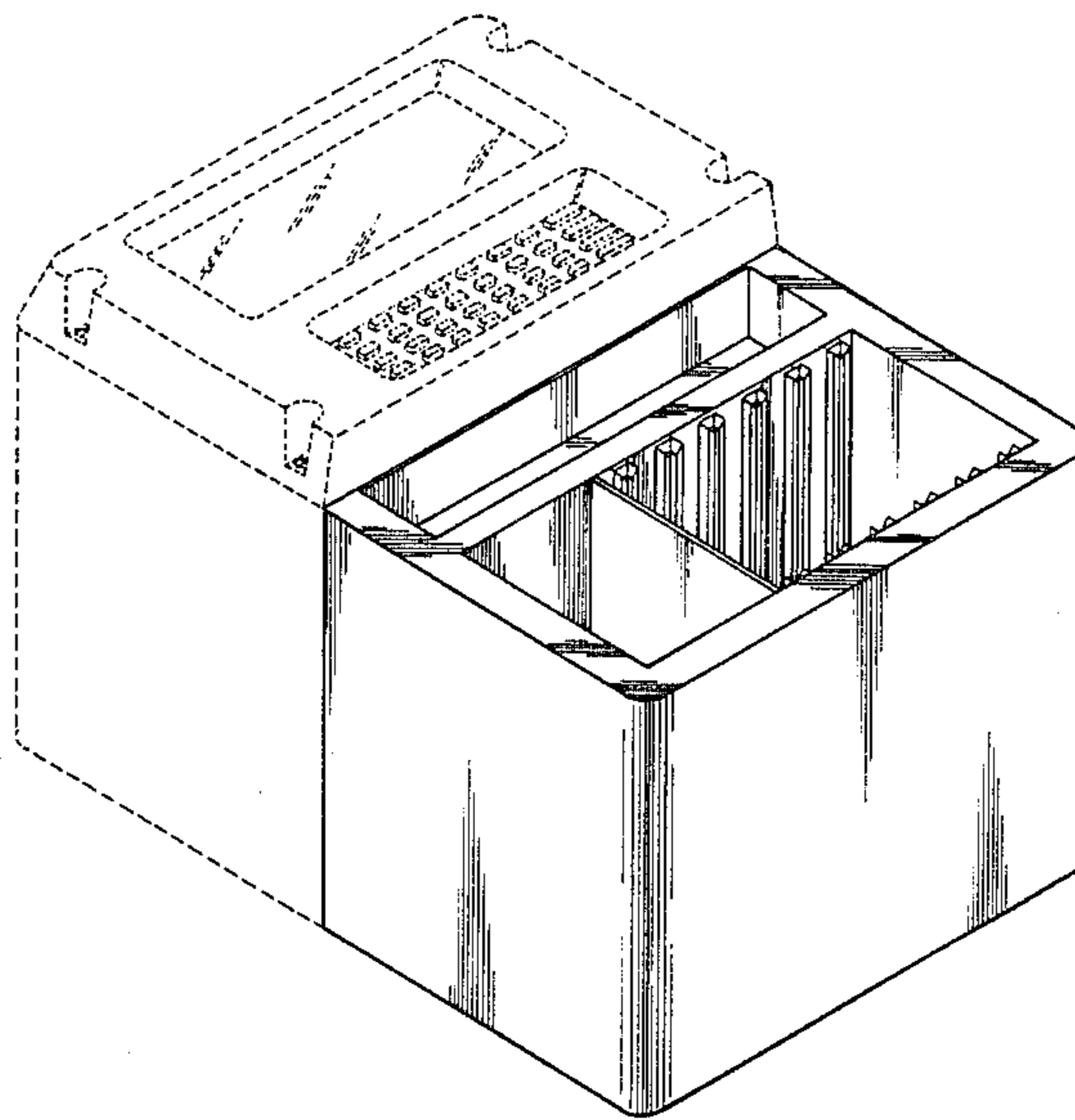
FIG. 2 is a top plan view thereof;

FIG. 3 is a front elevational view thereof;

FIG. 4 is a left side elevational view thereof;

FIG. 5 is a right side elevational view thereof; and

FIG. 6 is a bottom plan view thereof.



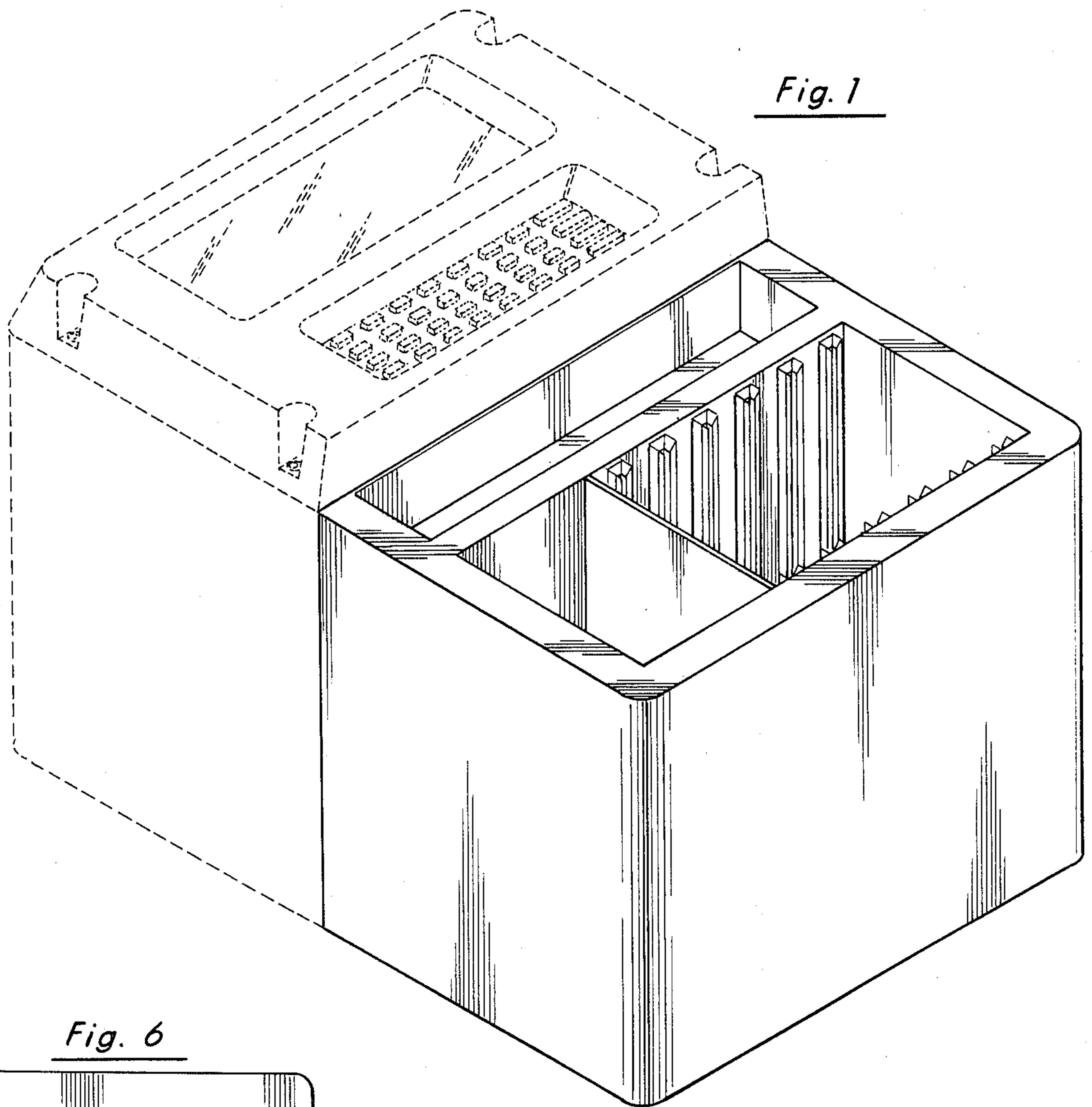


Fig. 1

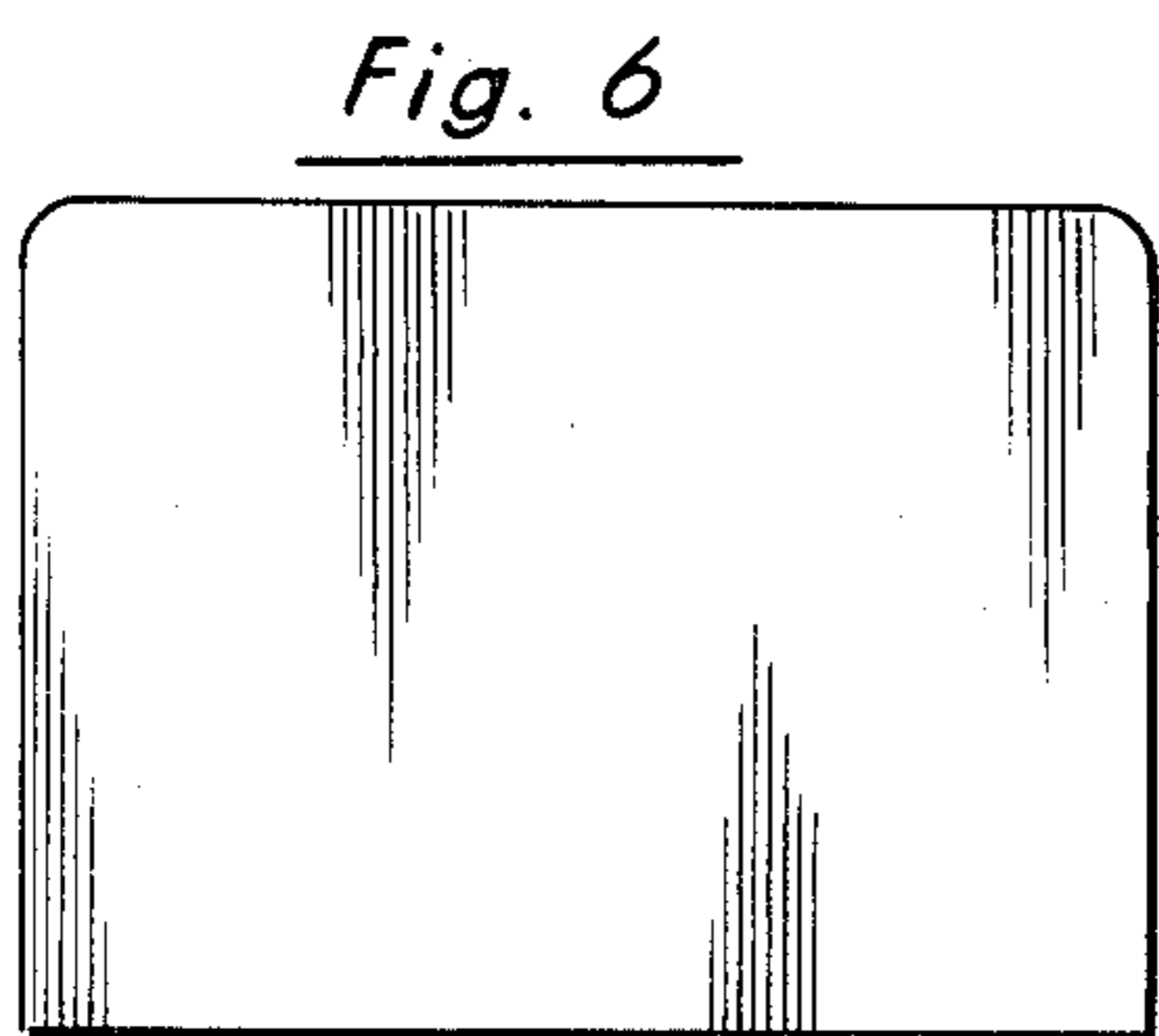


Fig. 6

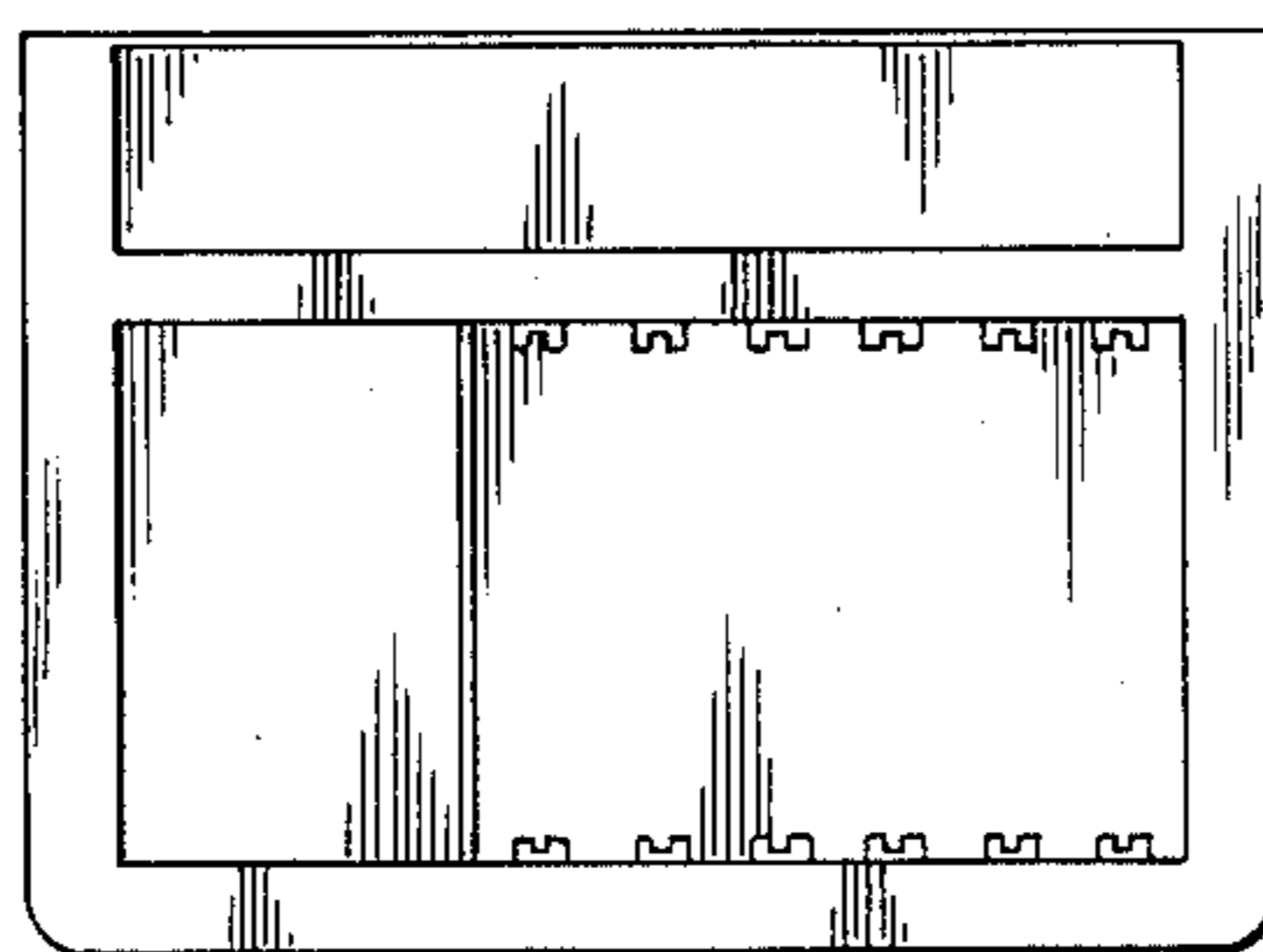


Fig. 2

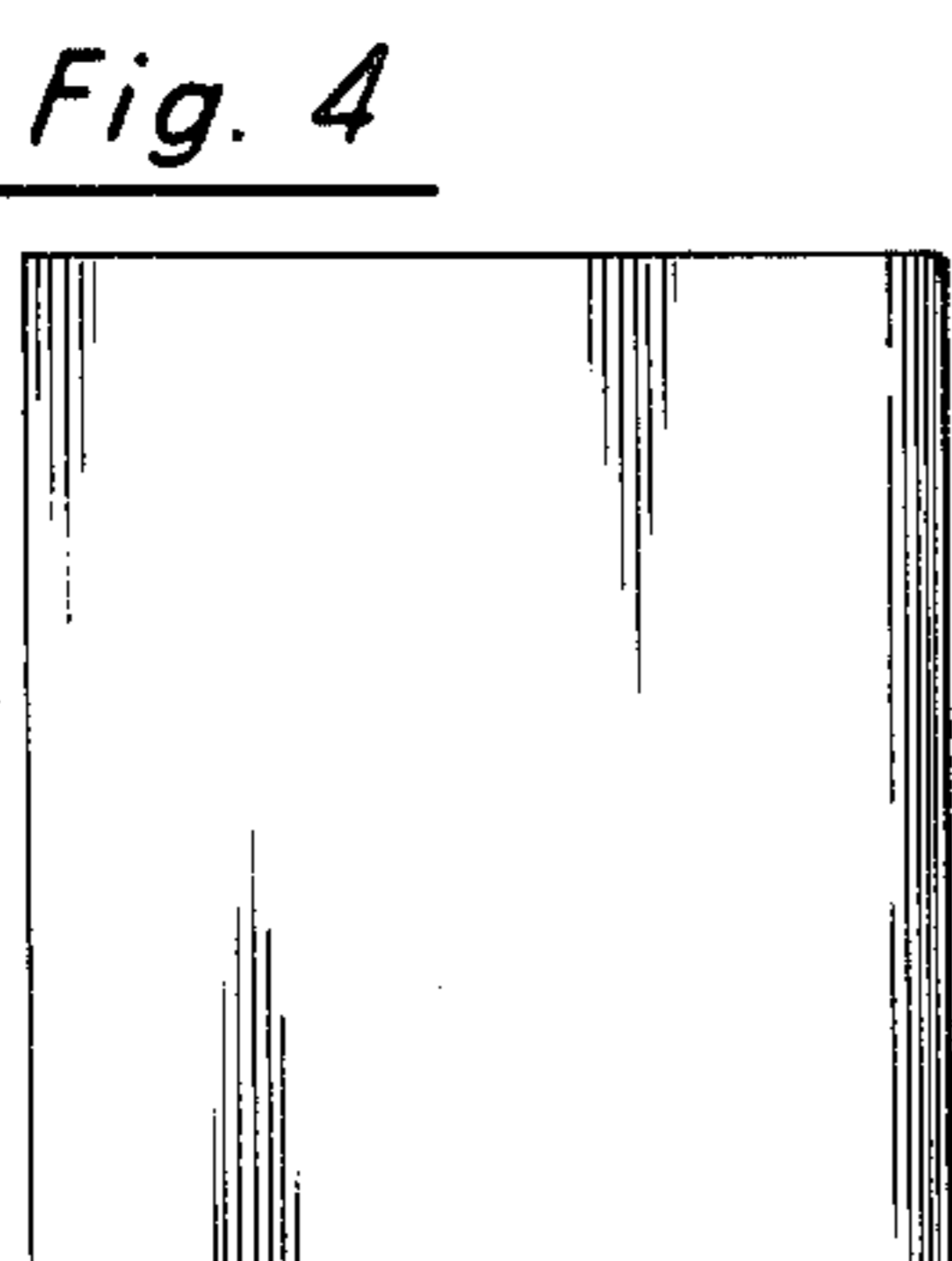


Fig. 4

Fig. 3

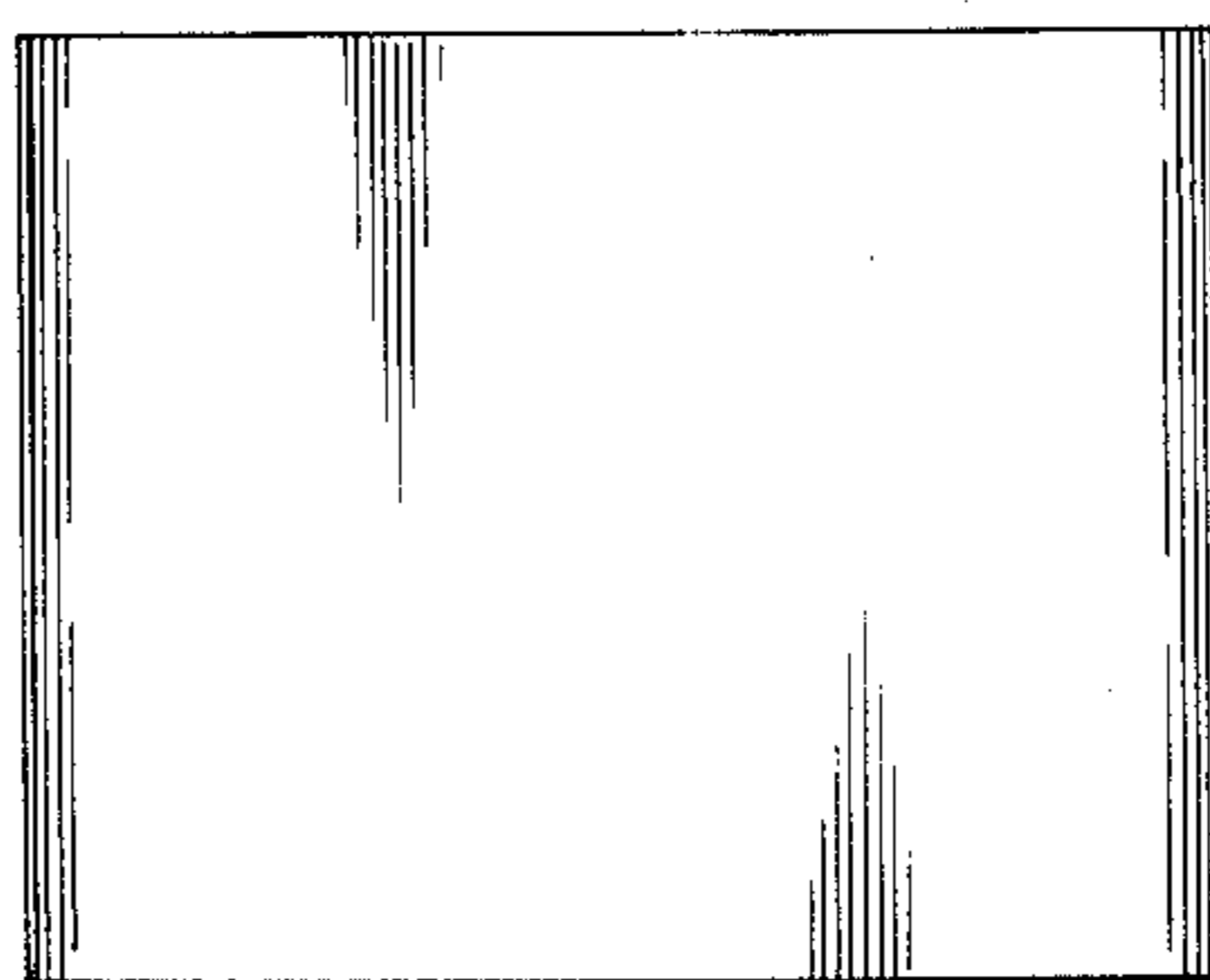


Fig. 5

