

[54] BATTERY PACK WITH REMOVABLE CLIP

[76] Inventor: Richard Shaper, 99 McCoun's La., Old Brookville, N.Y. 11545

[\*\*] Term: 14 Years

[21] Appl. No.: 155,841

[22] Filed: Feb. 16, 1988

[52] U.S. Cl. .... D13/8

[58] Field of Search ..... D13/4, 5, 8-10; D26/39, 40; D14/65; 429/99, 100, 123, 151, 153, 159; 307/150; 310/50; 320/2-5

[56] References Cited

U.S. PATENT DOCUMENTS

D. 236,493	8/1975	Kaye .....	D13/8
D. 246,240	11/1977	Hansen .....	D13/4
3,458,794	7/1969	Bohnstedt et al. ....	320/2
3,555,394	1/1971	Bramer et al. ....	307/150
4,464,445	8/1984	Matti .....	429/159

FOREIGN PATENT DOCUMENTS

2316758	1/1977	France .....	429/159
0067290	4/1982	Japan .....	320/2

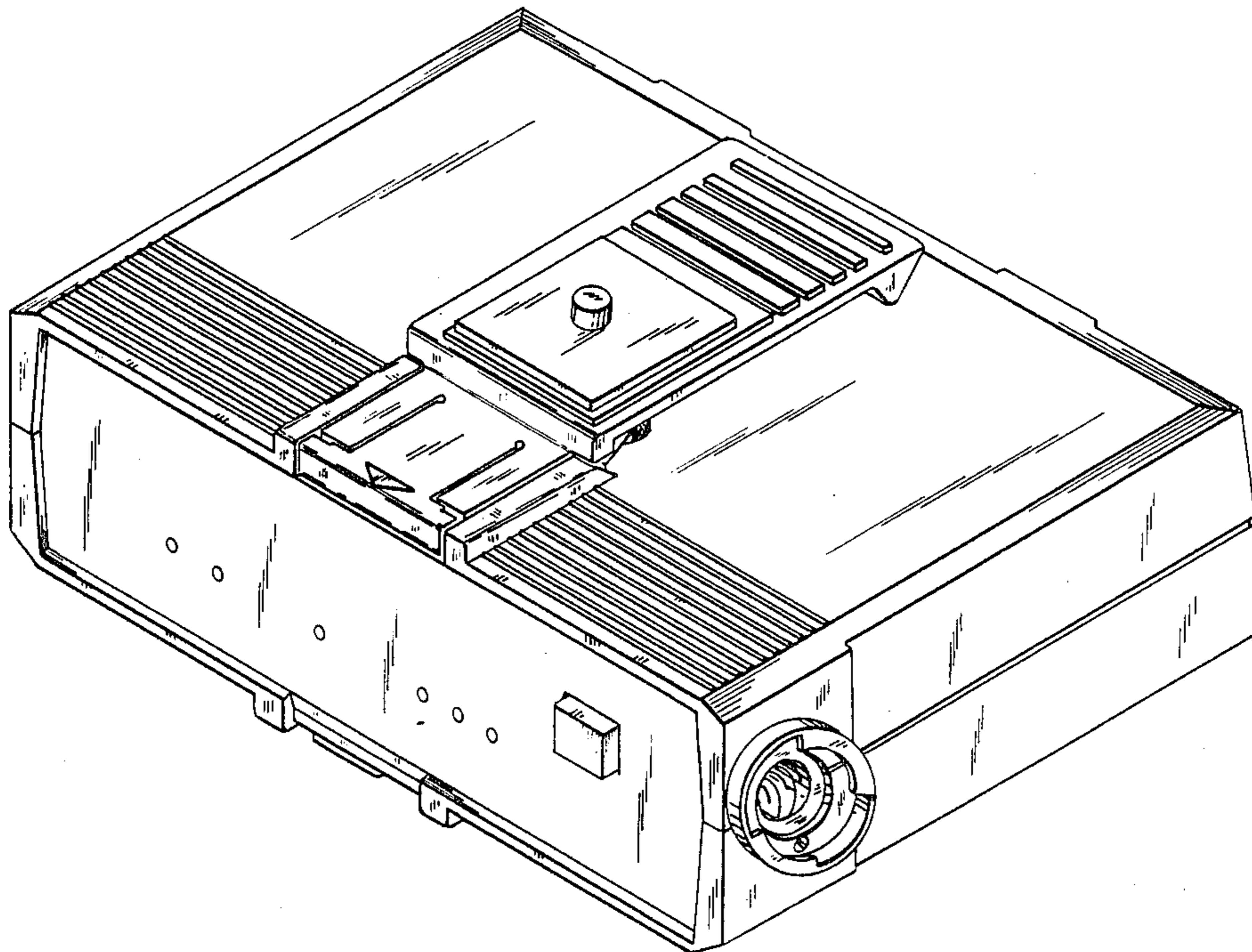
Primary Examiner—Wallace R. Burke  
Assistant Examiner—Clare E. Heflin  
Attorney, Agent, or Firm—Jacobs & Jacobs

[57] CLAIM

The ornamental design for a battery pack with removable clip, as shown and described.

DESCRIPTION

FIG. 1 is a top perspective view of the battery pack with removable clip showing my new design; FIG. 2 is a front elevational view thereof; FIG. 3 is a right side elevational view; FIG. 4 is a left side elevational view; FIG. 5 is a top plan view thereof; FIG. 6 is a bottom plan view thereof; FIG. 7 is a back elevational view; and FIG. 8 is a top perspective view thereof with the removable clip positioned on the top surface thereof.



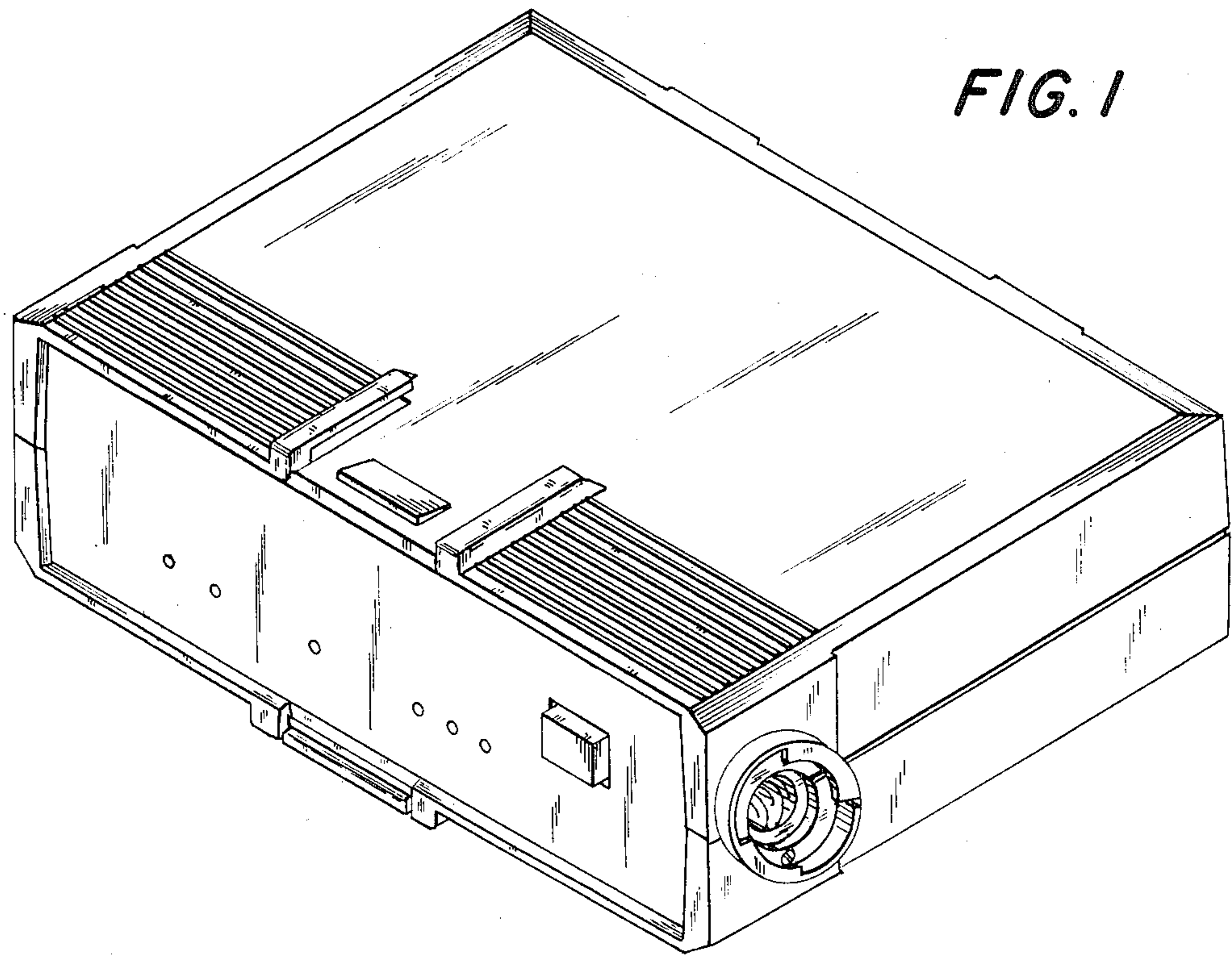


FIG. 1

FIG. 3

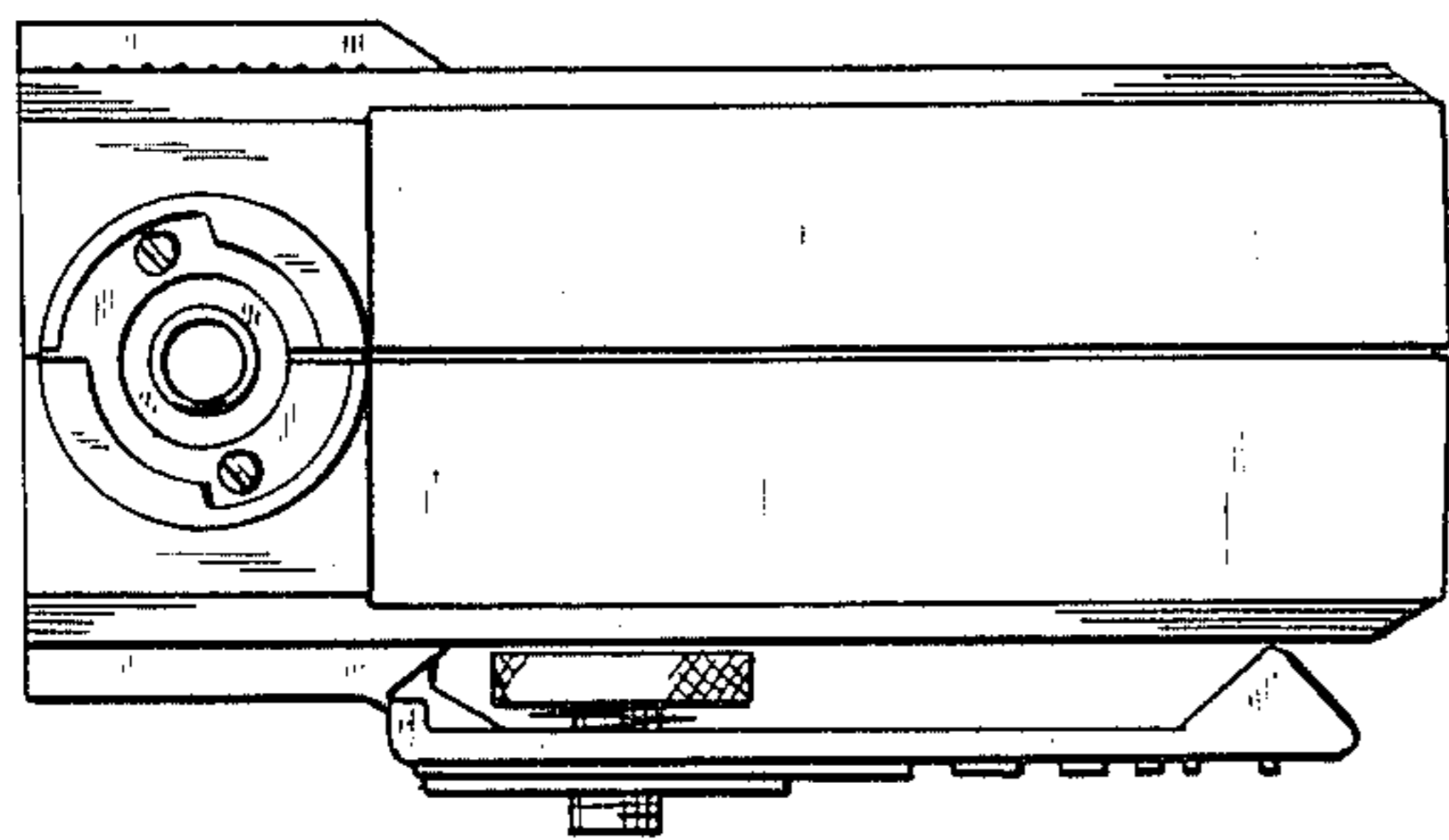
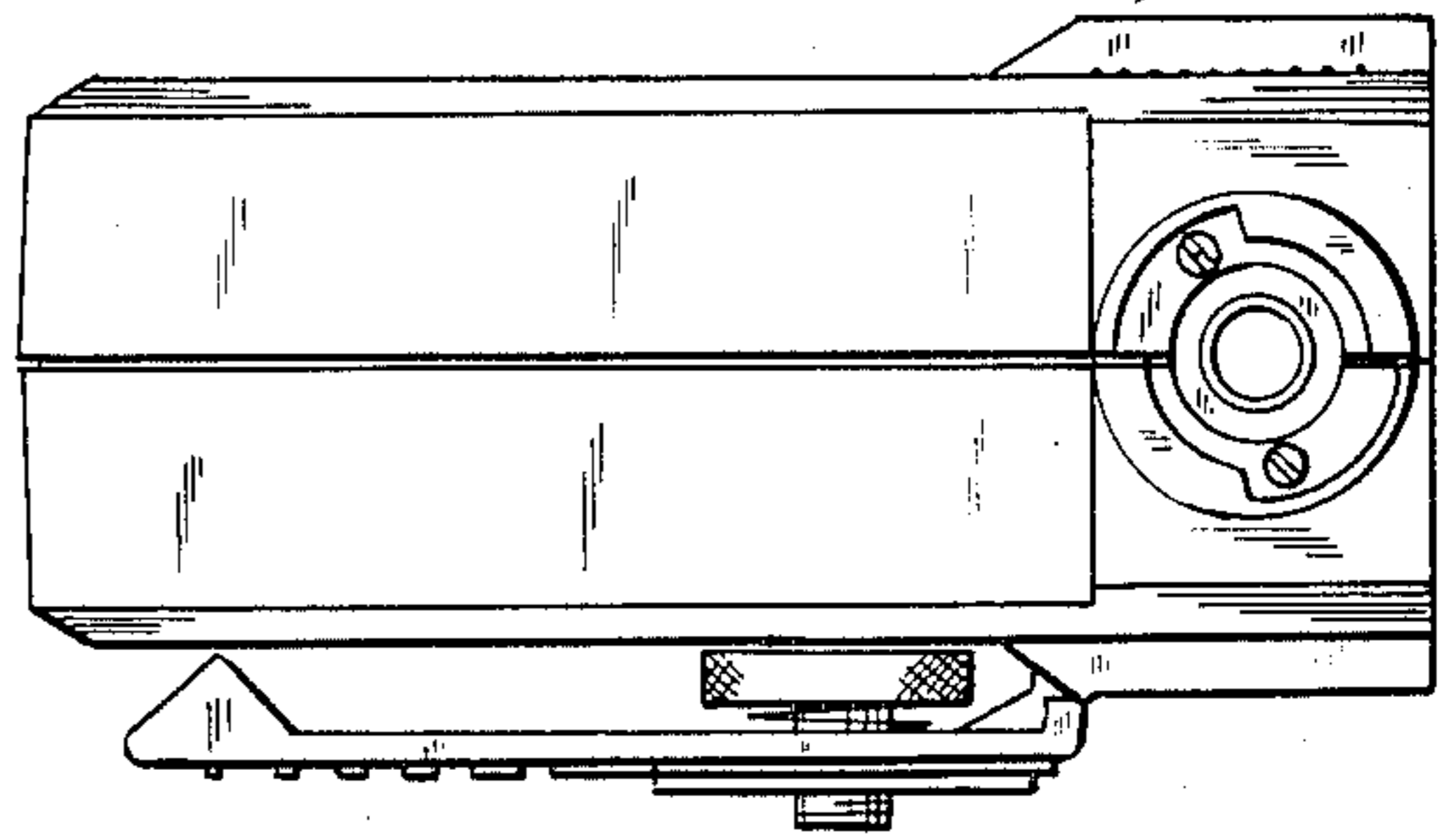


FIG. 4



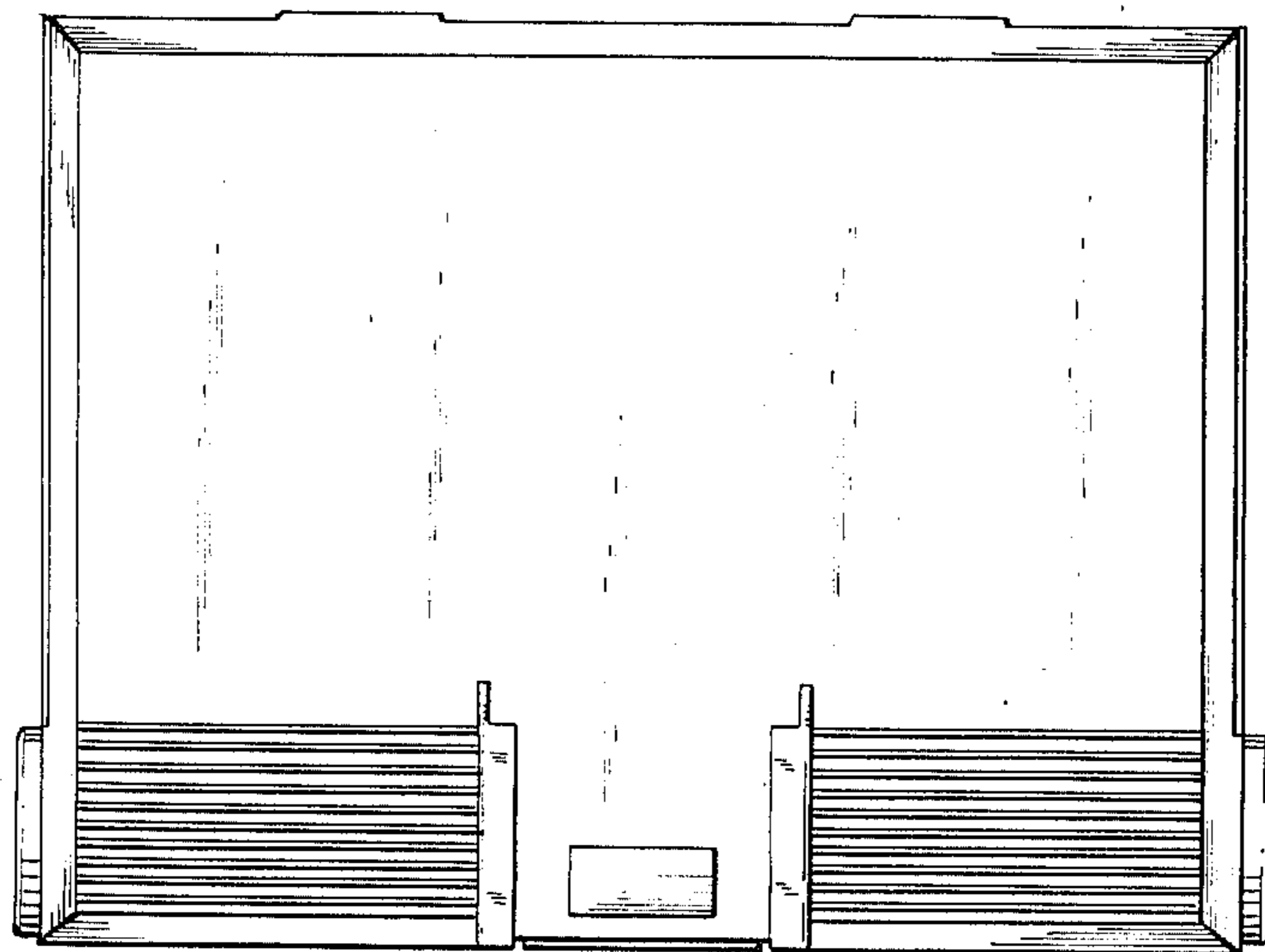


FIG. 5

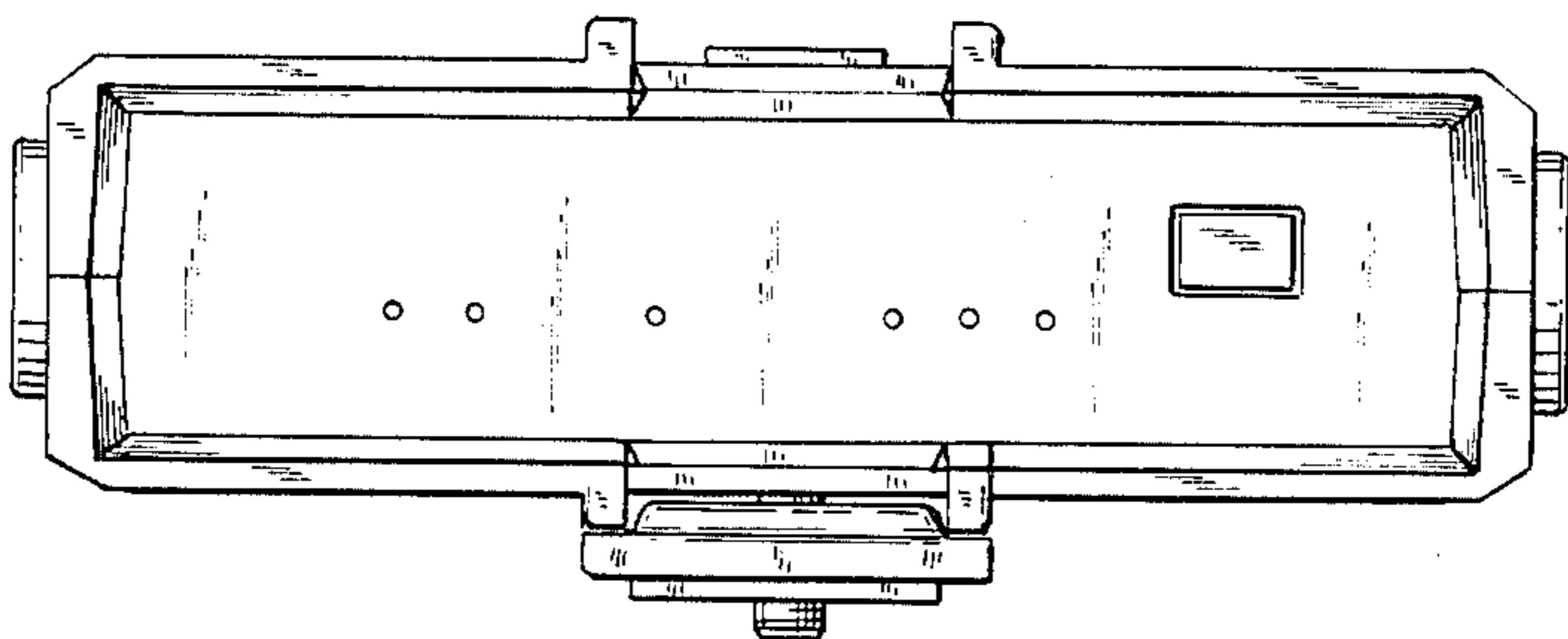


FIG. 2

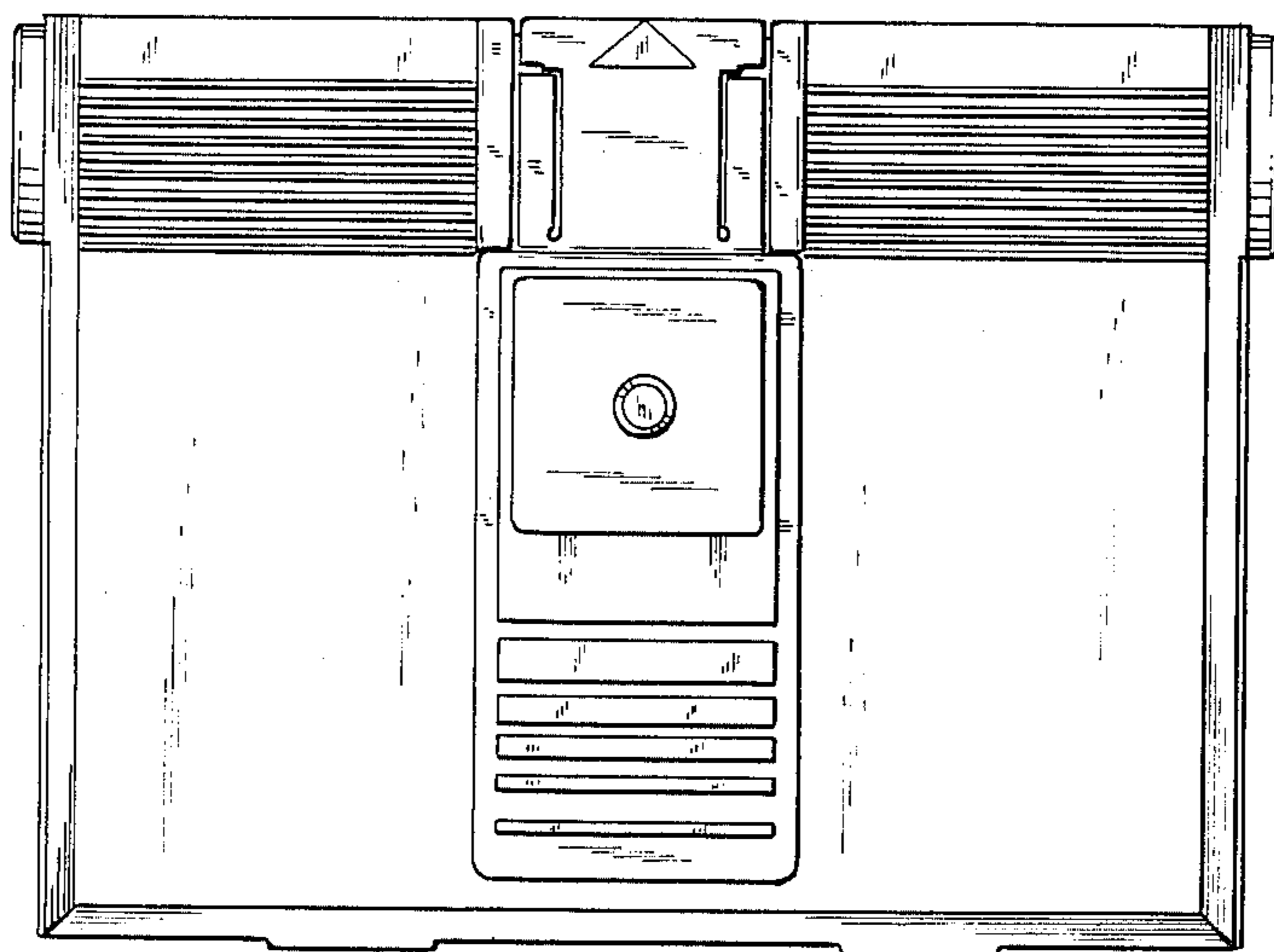


FIG. 6

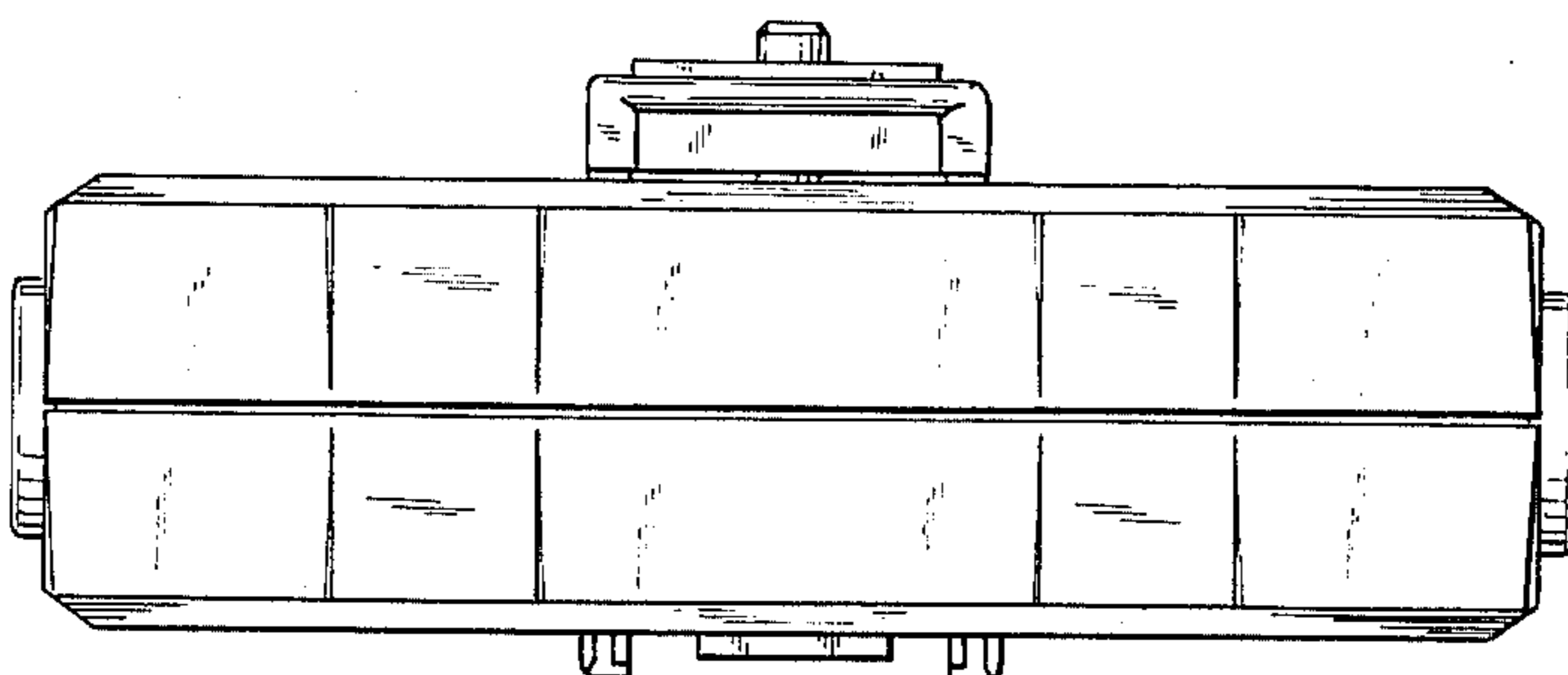


FIG. 7

FIG. 8

