

[54] FOUR-WHEELED BUGGY

[56] References Cited

[75] Inventors: Yasuhiro Oba; Yukinori Kawaguchi; Kazuhiko Yokoyama, all of Saitama, Japan

U.S. PATENT DOCUMENTS

- D. 213,681 4/1969 Lyons D12/87
- D. 215,089 9/1969 Jeffries D12/87
- D. 216,253 12/1969 Vittone D12/87

[73] Assignee: Honda Giken Kogyo Kabushiki Kaisha, Tokyo, Japan

OTHER PUBLICATIONS

Cycle World, 6/71, p. 19, Six-Wheeled Wedge All-Terrain Vehicle, bottom left side of page.

[**] Term: 14 Years

Primary Examiner—James M. Gandy
Attorney, Agent, or Firm—Lyon & Lyon

[21] Appl. No.: 850,895

[57] CLAIM

The ornamental design for a four-wheeled buggy, as shown.

[22] Filed: Apr. 8, 1986

DESCRIPTION

[30] Foreign Application Priority Data

- Oct. 14, 1985 [JP] Japan 60-42938
- [52] U.S. Cl. D12/87
- [58] Field of Search D12/87, 90, 91, 92, D12/3; 296/185, 186

FIG. 1 is a front elevation view of a buggy showing our new design;
 FIG. 2 is a rear elevation view thereof;
 FIG. 3 is an elevation view of the left side thereof;
 FIG. 4 is an elevation view of the right side thereof;
 FIG. 5 is a top plan view thereof; and
 FIG. 6 is a perspective view thereof.

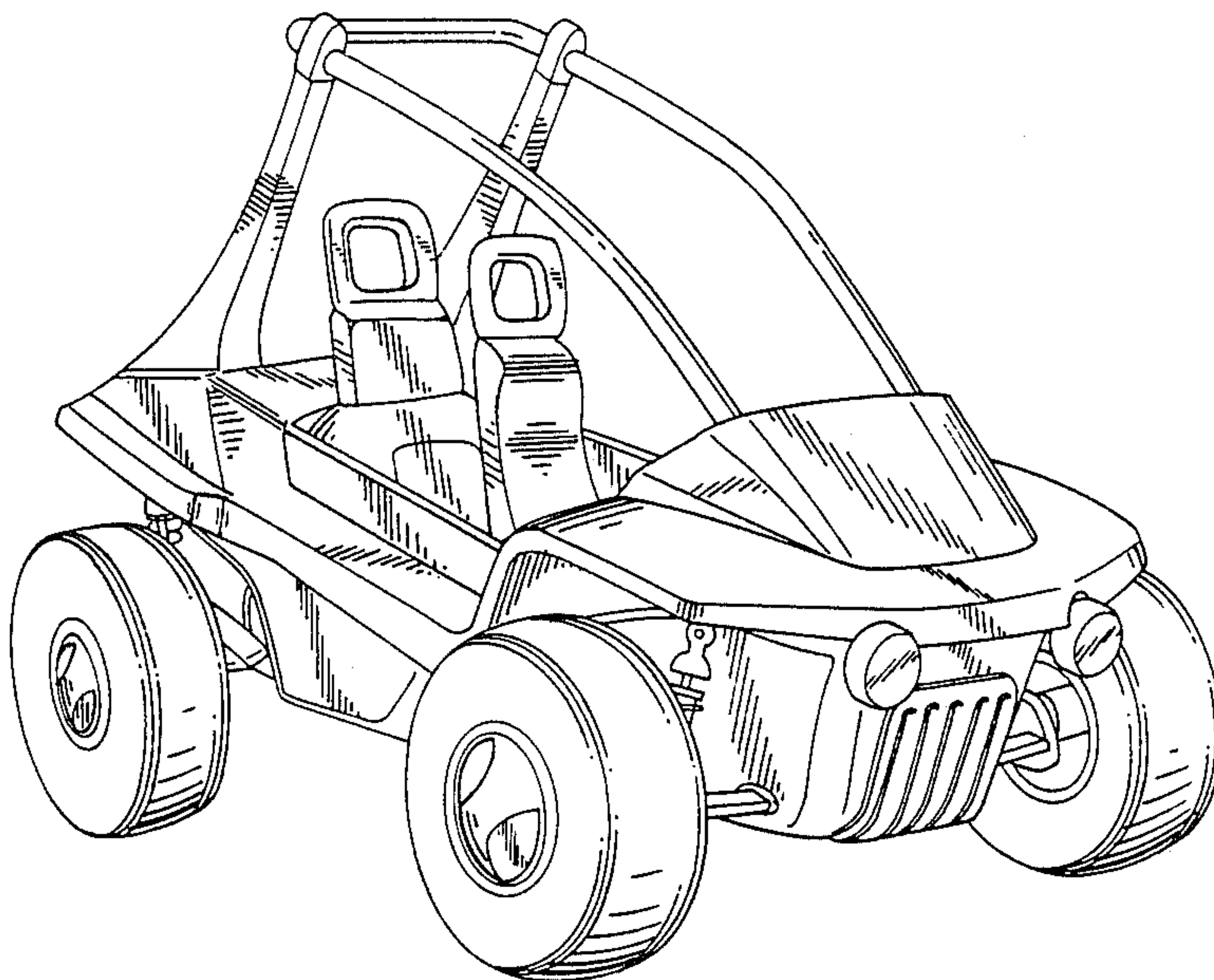


FIG. 1

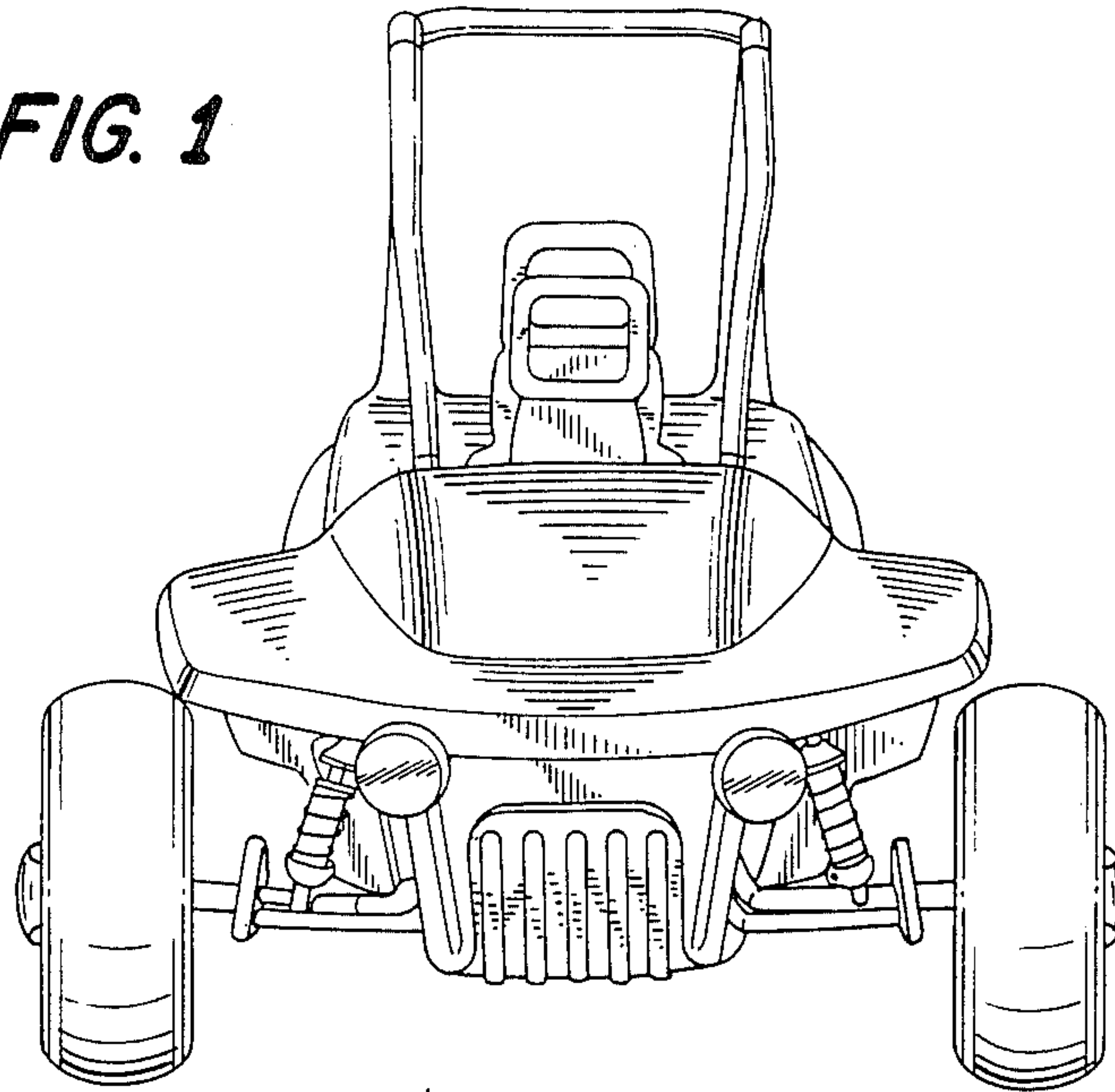


FIG. 2

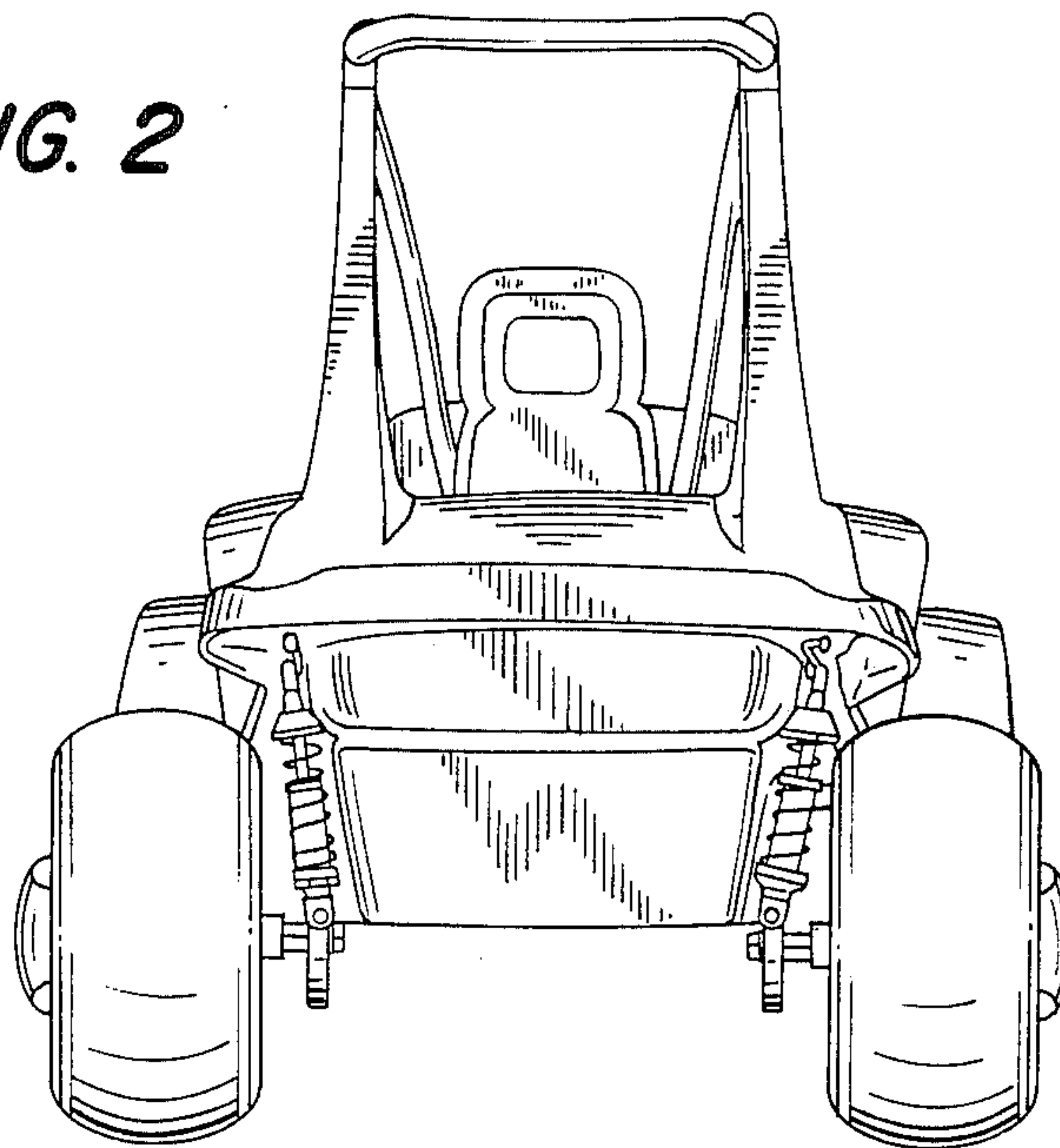


FIG. 3

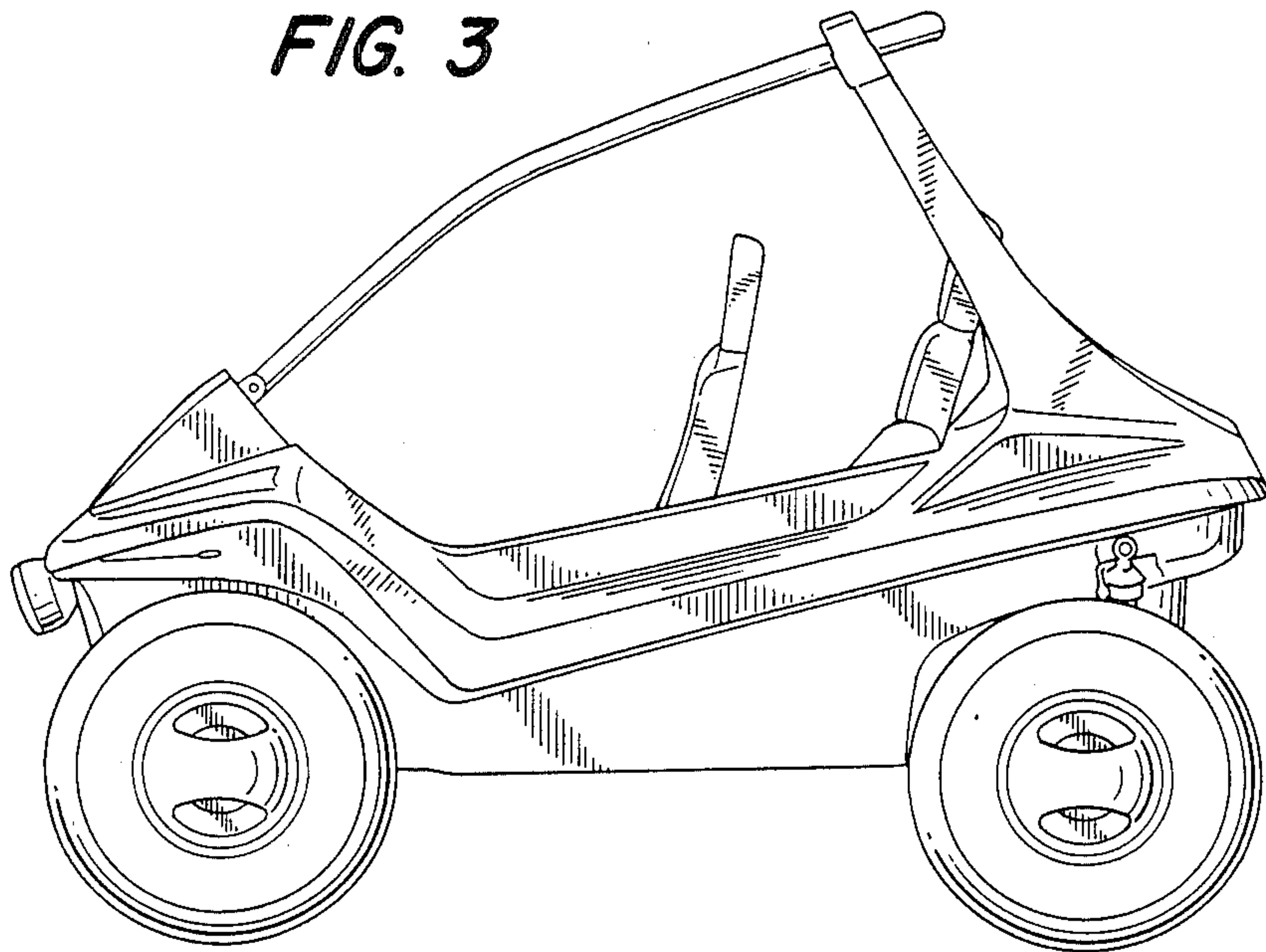


FIG. 4

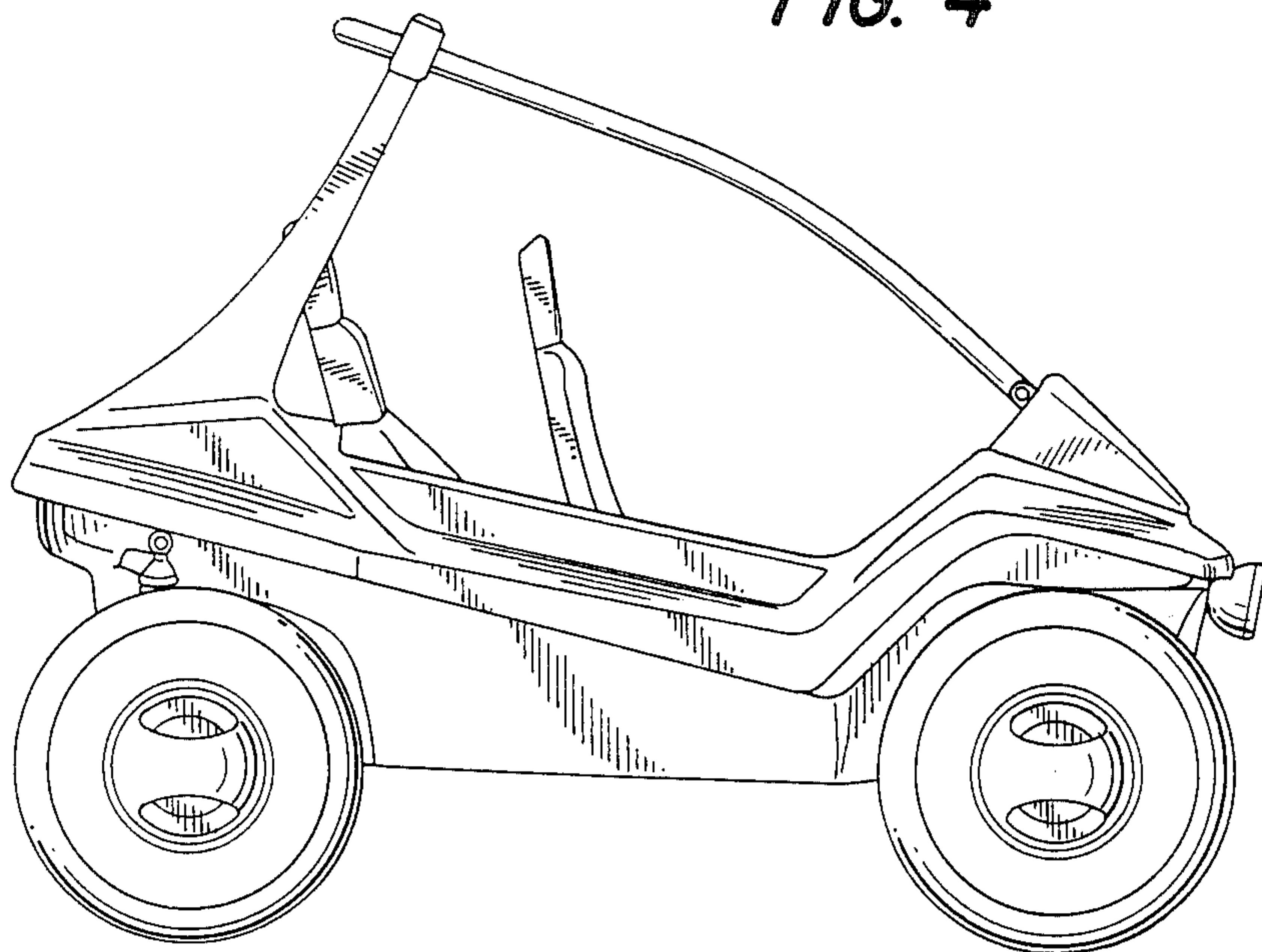


FIG. 5

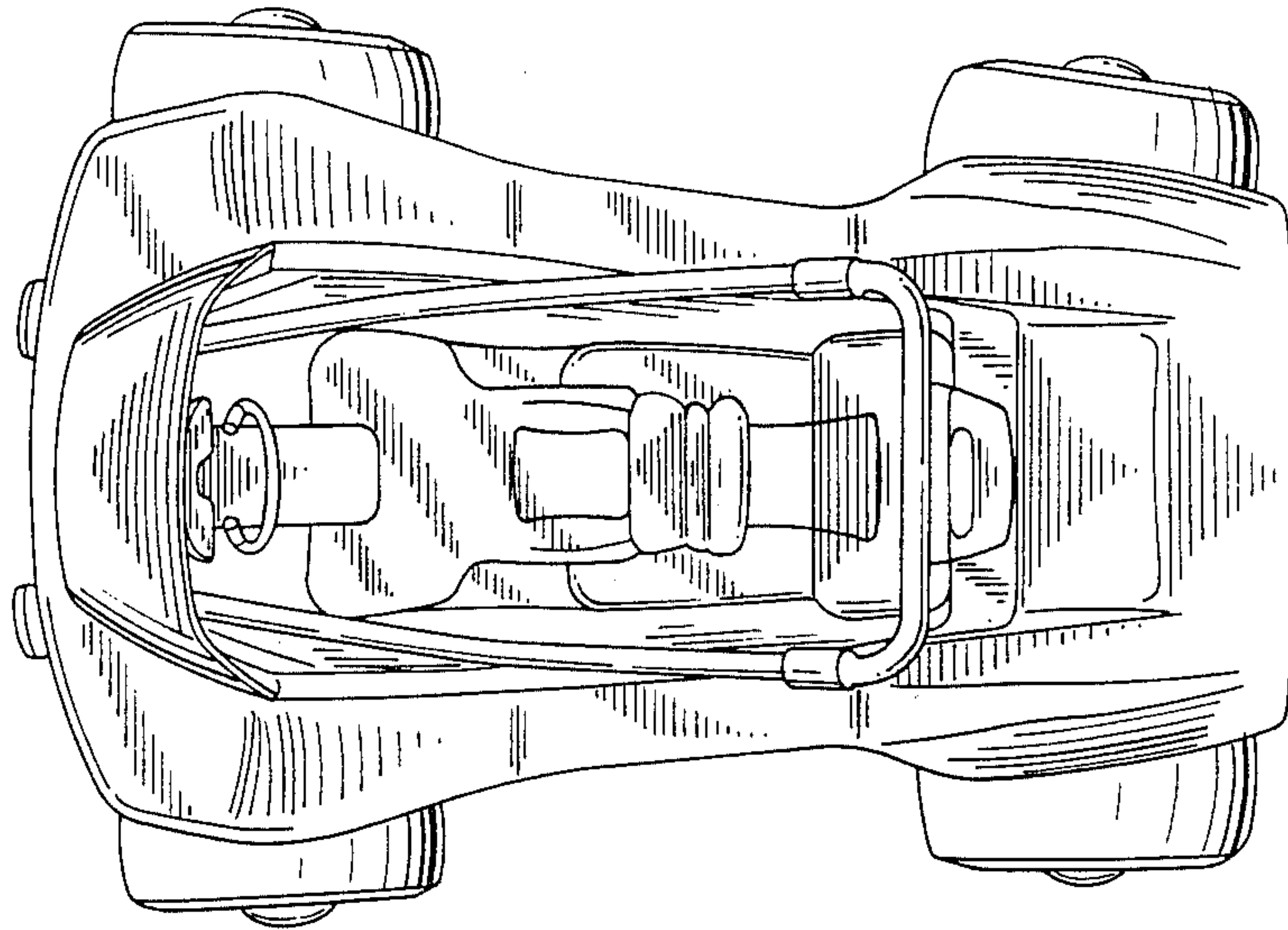


FIG. 6

