

[54] LIVE FISH SCALE

[76] Inventor: Manny Homen, 5798 E. Paseo
Cimarron, Tucson, Ariz. 85715

[**] Term: 14 Years

[21] Appl. No.: 899,395

[22] Filed: Aug. 22, 1986

[52] U.S. Cl. D10/91; D10/94

[58] Field of Search D10/87-94;
177/262, 243, 246, 25.15, 25.16, 177, 256

[56] References Cited

U.S. PATENT DOCUMENTS

- D. 139,931 1/1945 Dreyfuss D10/90
- D. 220,539 4/1971 Dillon D10/91
- D. 265,467 7/1982 Perrier D10/91
- 4,274,500 6/1981 Kuhnle D10/91 X

- 4,447,885 5/1984 Biss 177/200 X
- 4,512,432 4/1985 Balenger 177/211
- 4,674,060 6/1987 Larkin 177/200 X

Primary Examiner—Nelson C. Holtje
Attorney, Agent, or Firm—Victor Flores

[57] CLAIM

The ornamental design for a live fish scale, as shown.

DESCRIPTION

FIG. 1 is a front and top-right perspective view of a live fish scale showing my new design with the platform-/container lid open;

FIG. 2 is a top plan view thereof with the platform-/container lid closed;

FIG. 3 is a front elevational view of FIG. 2;

FIG. 4 is a left side elevational view of FIG. 2;

FIG. 5 is a rear elevational view of FIG. 2;

FIG. 6 is a bottom plan view thereof.

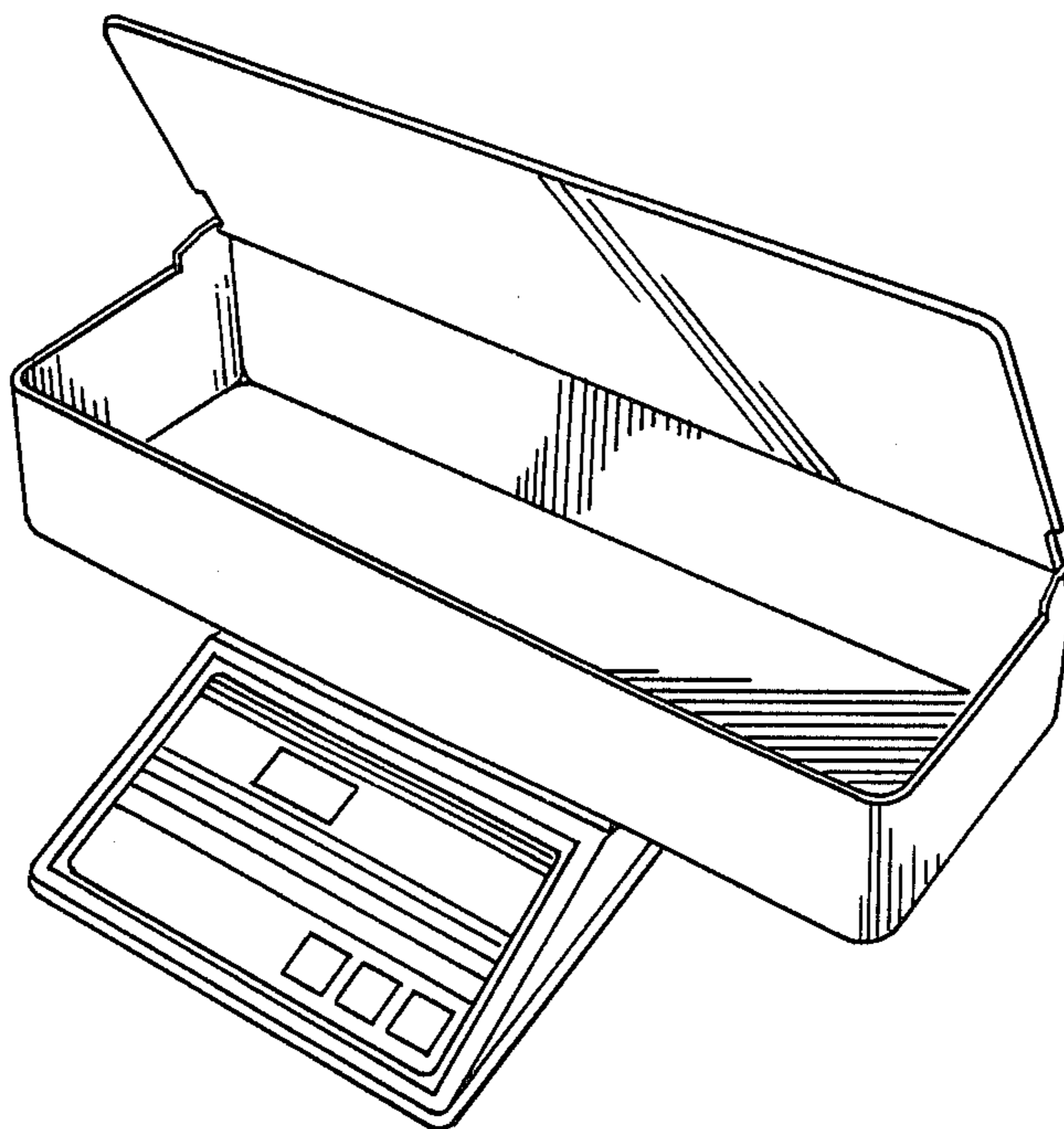


fig. 1

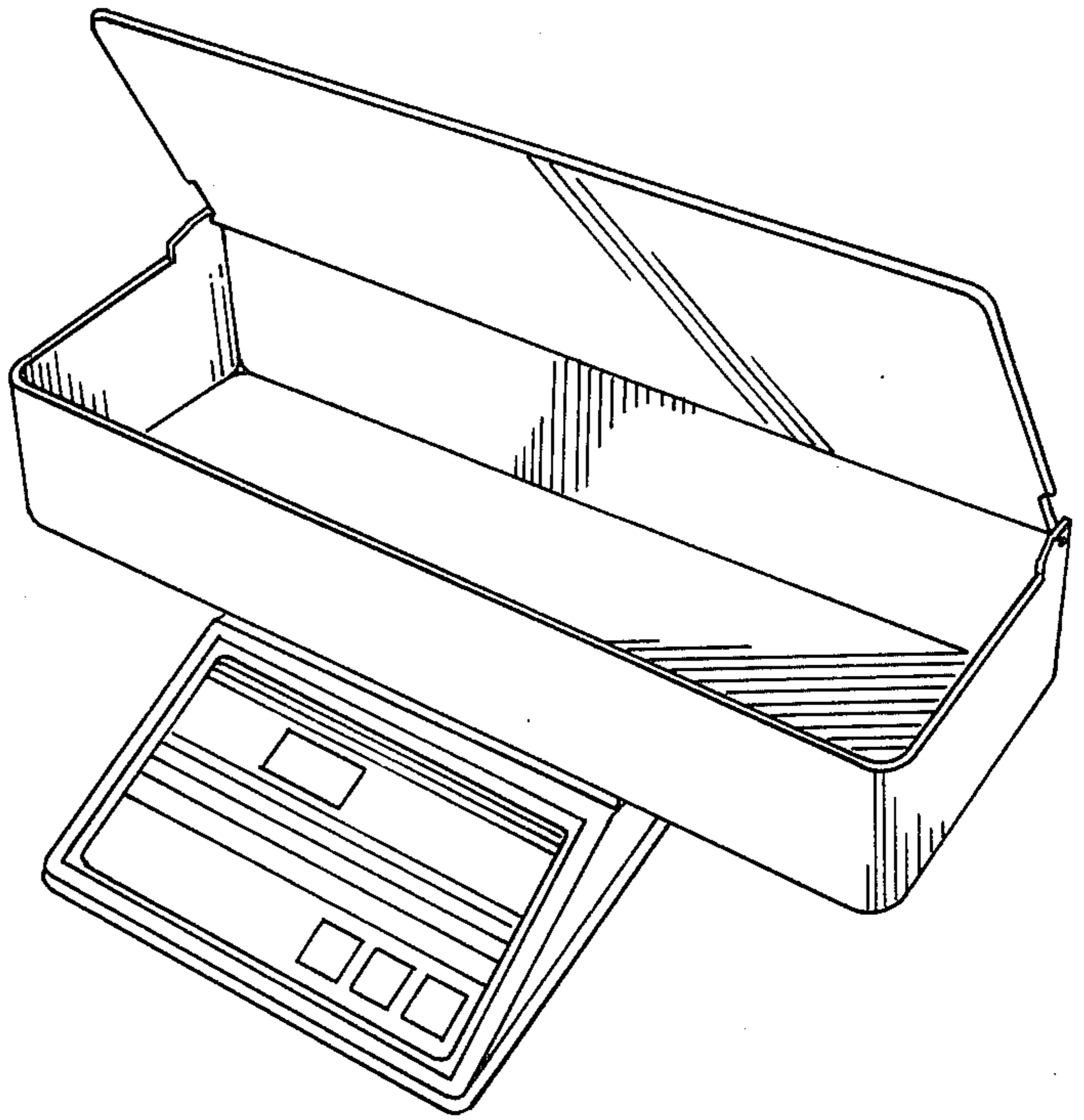


fig. 2

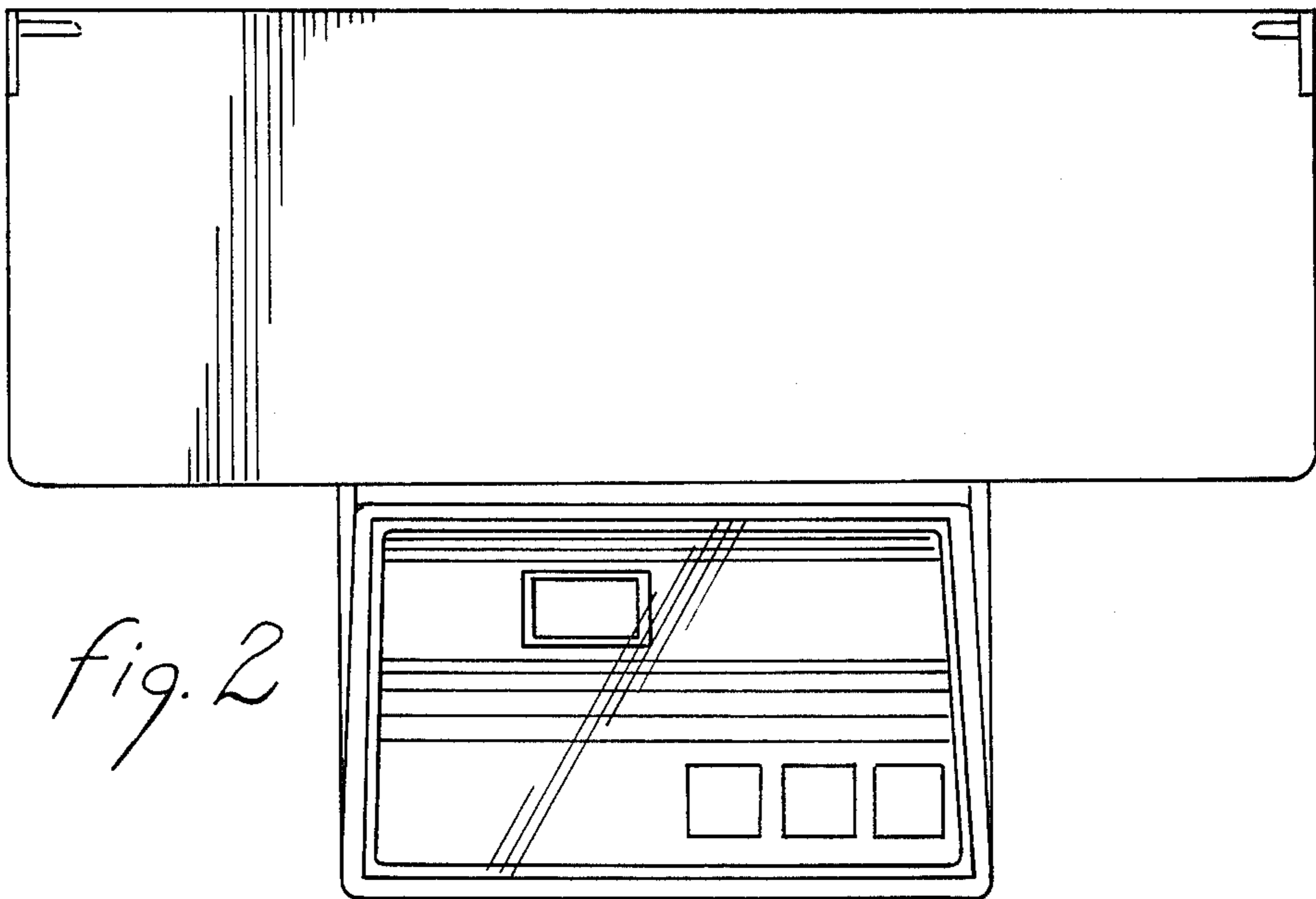
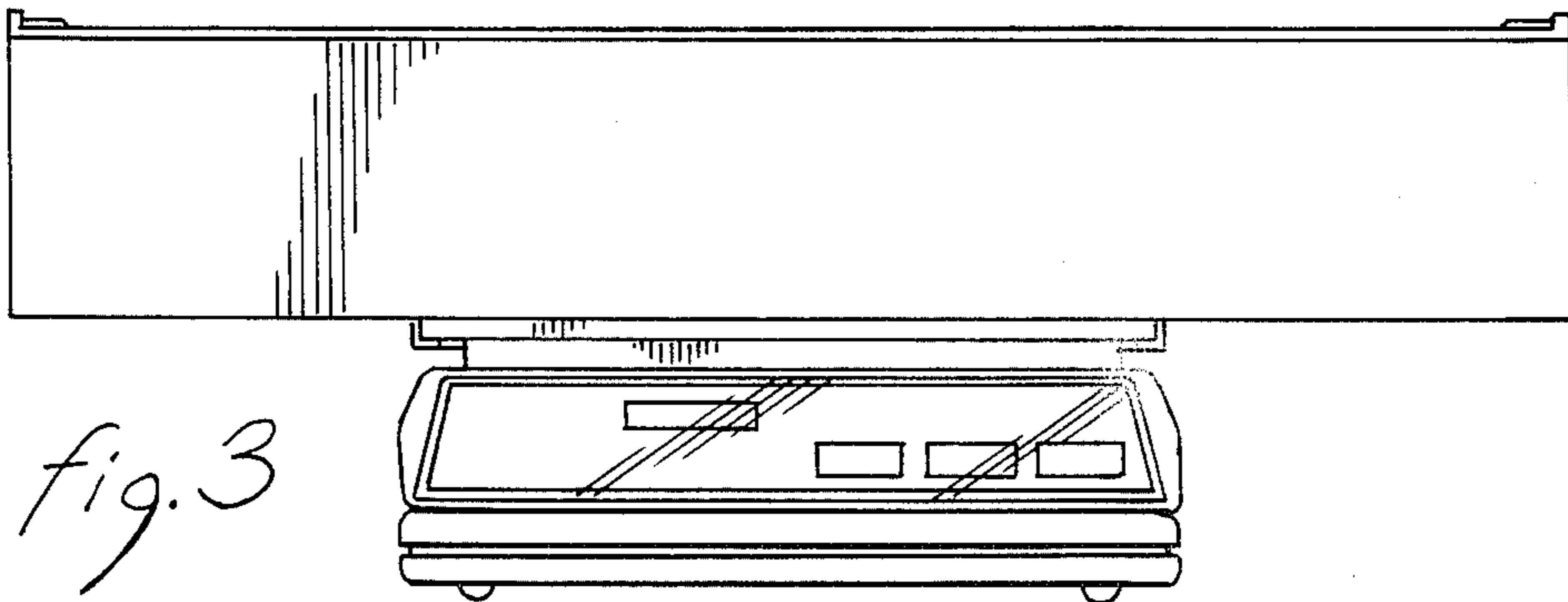


fig. 3



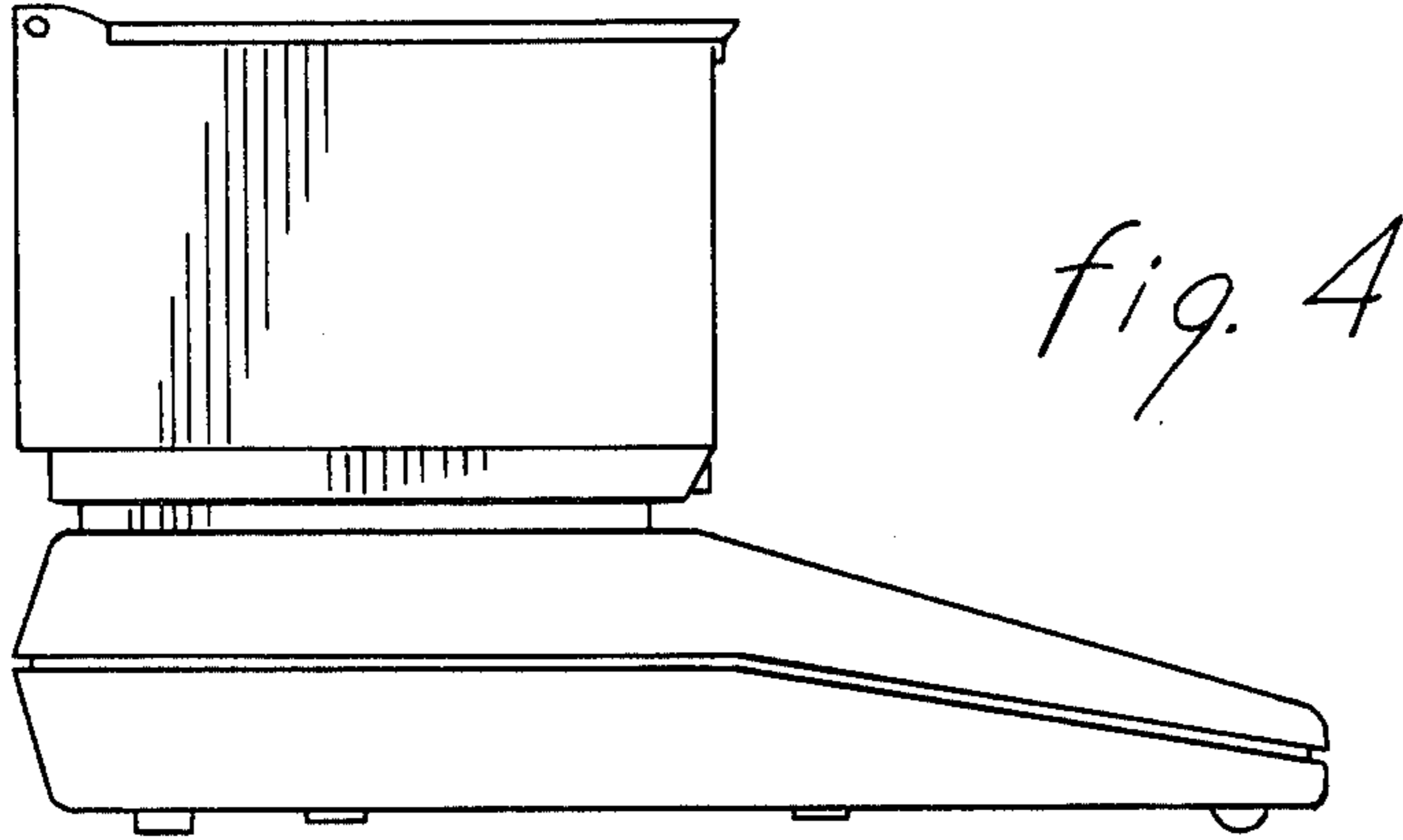


fig. 4

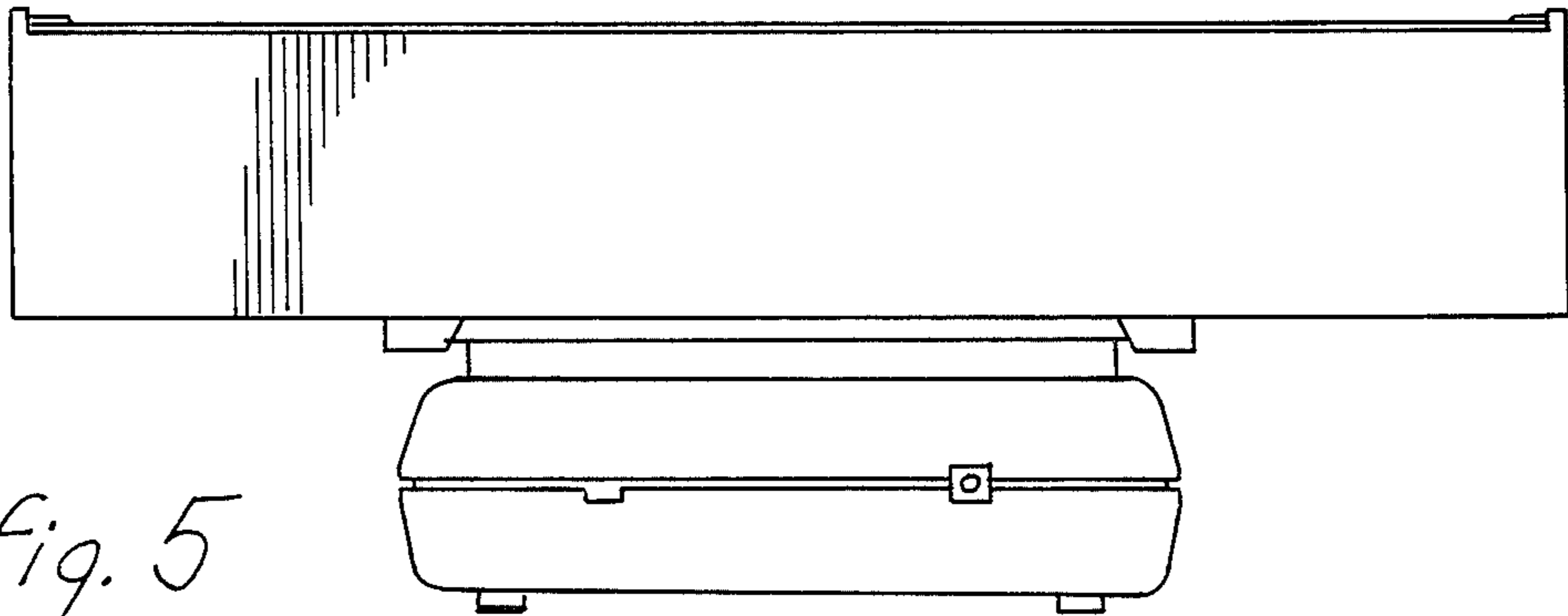


fig. 5

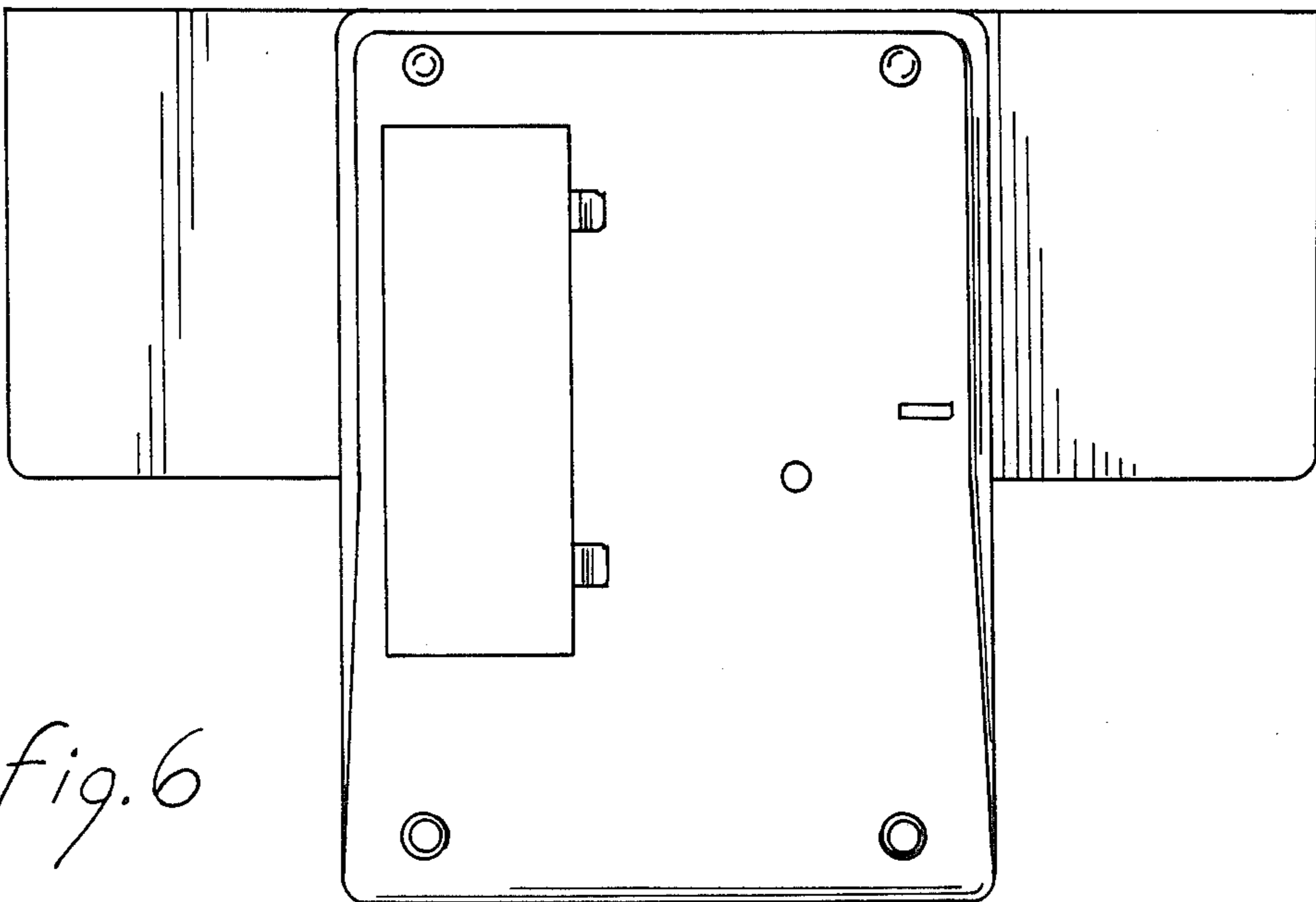


fig. 6