

[54] DIAL GAUGE

[75] Inventors: Seigo Takahashi; Toshiyuki Matsumoto, both of Kawasaki; Kazuya Ishida, Tochigi, all of Japan

[73] Assignee: Mitutoyo Mfg. Co., Ltd., Tokyo, Japan

[\*\*] Term: 14 Years

[21] Appl. No.: 860,744

[22] Filed: May 7, 1986

[30] Foreign Application Priority Data

Nov. 7, 1985 [JP] Japan ..... 60-46761

[52] U.S. Cl. .... D10/73

[58] Field of Search ..... D10/73; 33/172 E, 172 R

[56] References Cited

U.S. PATENT DOCUMENTS

D. 261,370 10/1981 Kikuchi ..... D10/73

D. 274,705 7/1984 Nishina ..... D10/73

4,114,280 9/1978 Rucinski ..... 33/172 E

4,489,496 12/1984 Mizuno ..... 33/172 E X

4,495,701 1/1985 Nakadoi ..... 33/172 E X

4,505,042 3/1985 Nishina ..... 33/172 E

OTHER PUBLICATIONS

Brown & Sharpe-©1983, Flyer for Digit-Dial®II Electronic Dial Indicator.

Primary Examiner—Nelson C. Holtje  
Attorney, Agent, or Firm—Flynn, Thiel, Boutell & Tanis

[57] CLAIM

The ornamental design for a dial gauge, as shown.

DESCRIPTION

FIG. 1 is a perspective view of a dial gauge showing our new design;

FIG. 2 is a front elevational view thereof;

FIG. 3 is a rear elevational view thereof;

FIG. 4 is a left side elevational view thereof;

FIG. 5 is a right side elevational view thereof;

FIG. 6 is a top plan view thereof; and

FIG. 7 is a bottom plan view thereof.

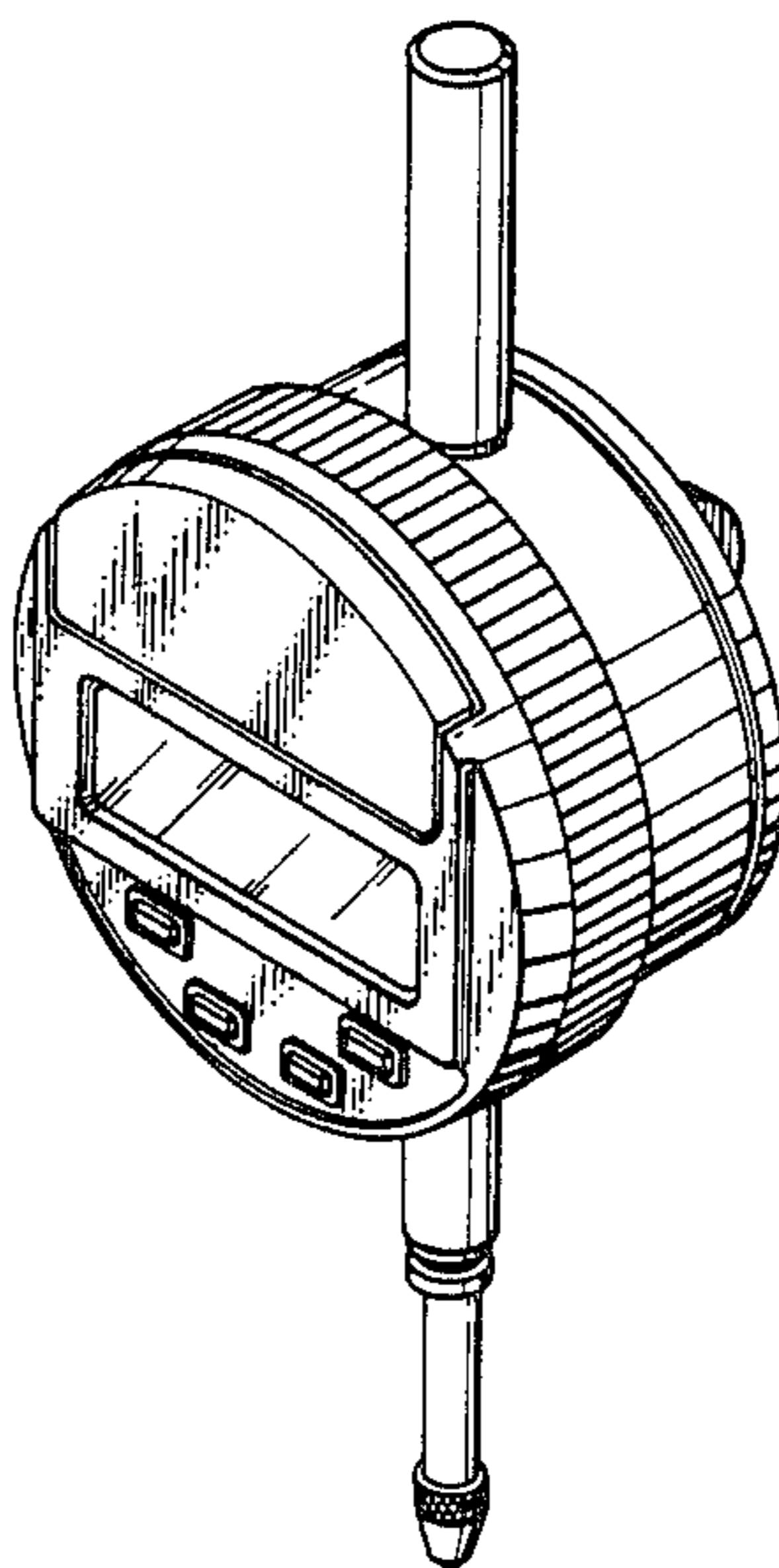


FIG. 1

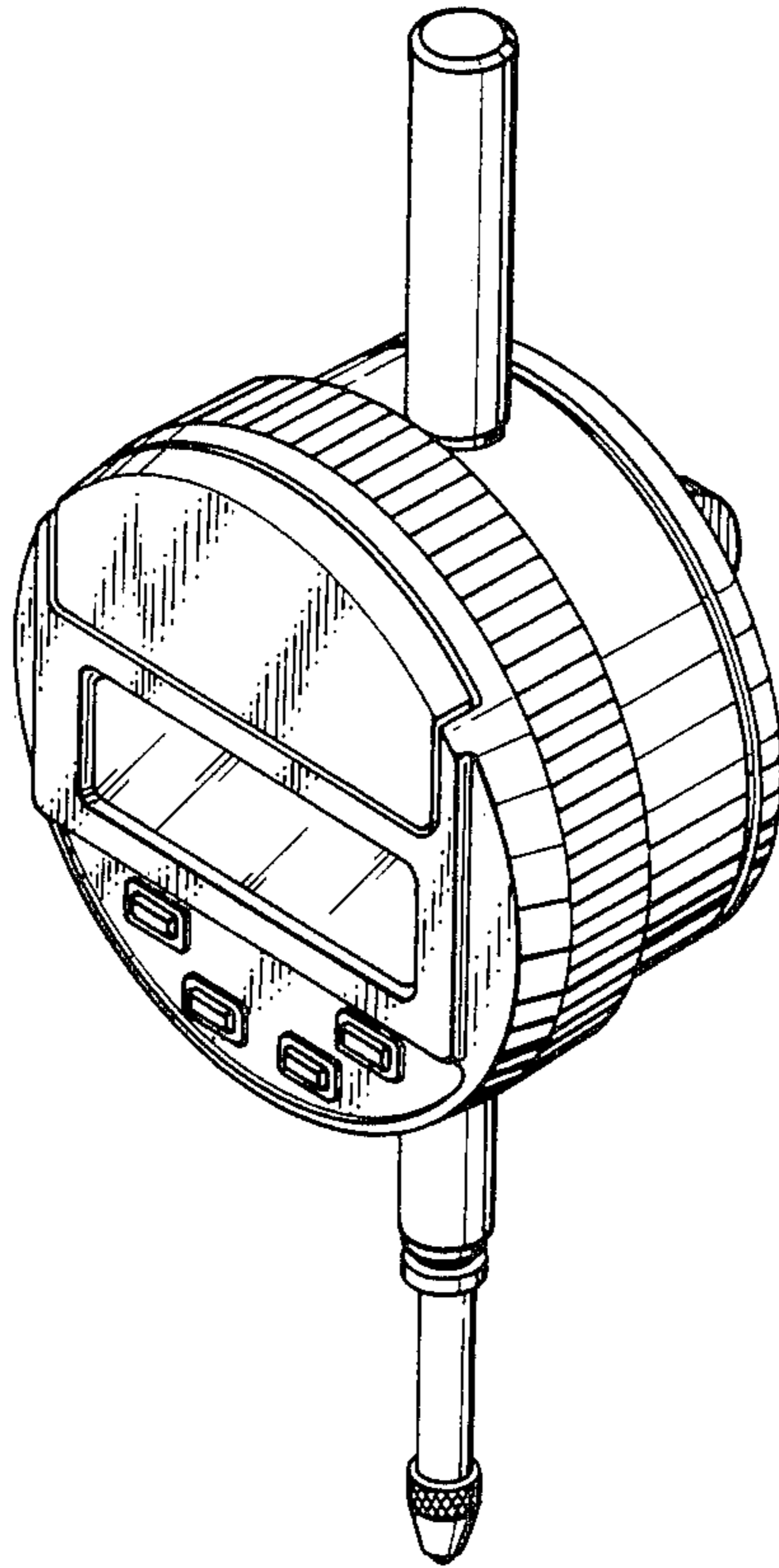


FIG. 2

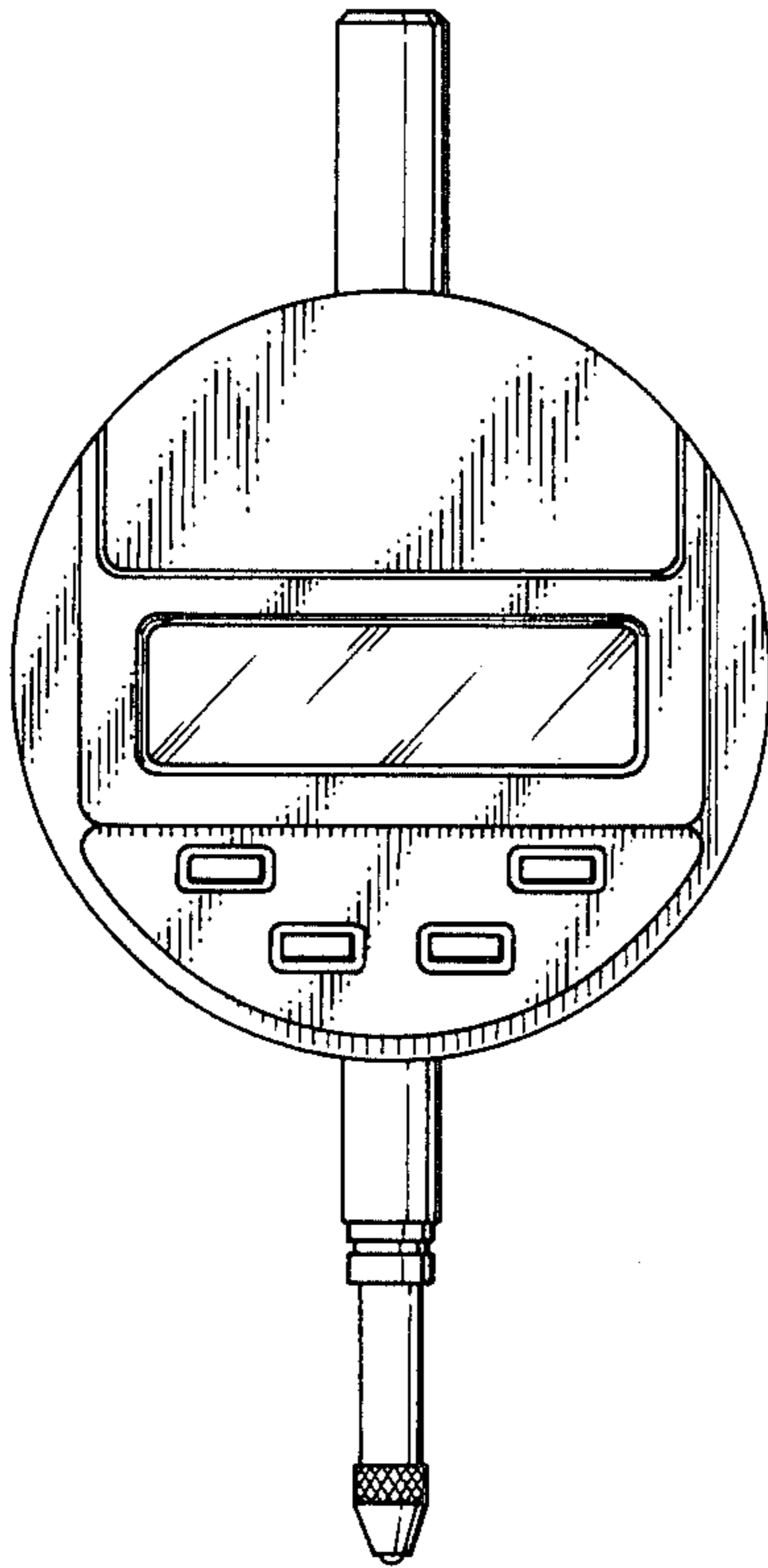


FIG. 3

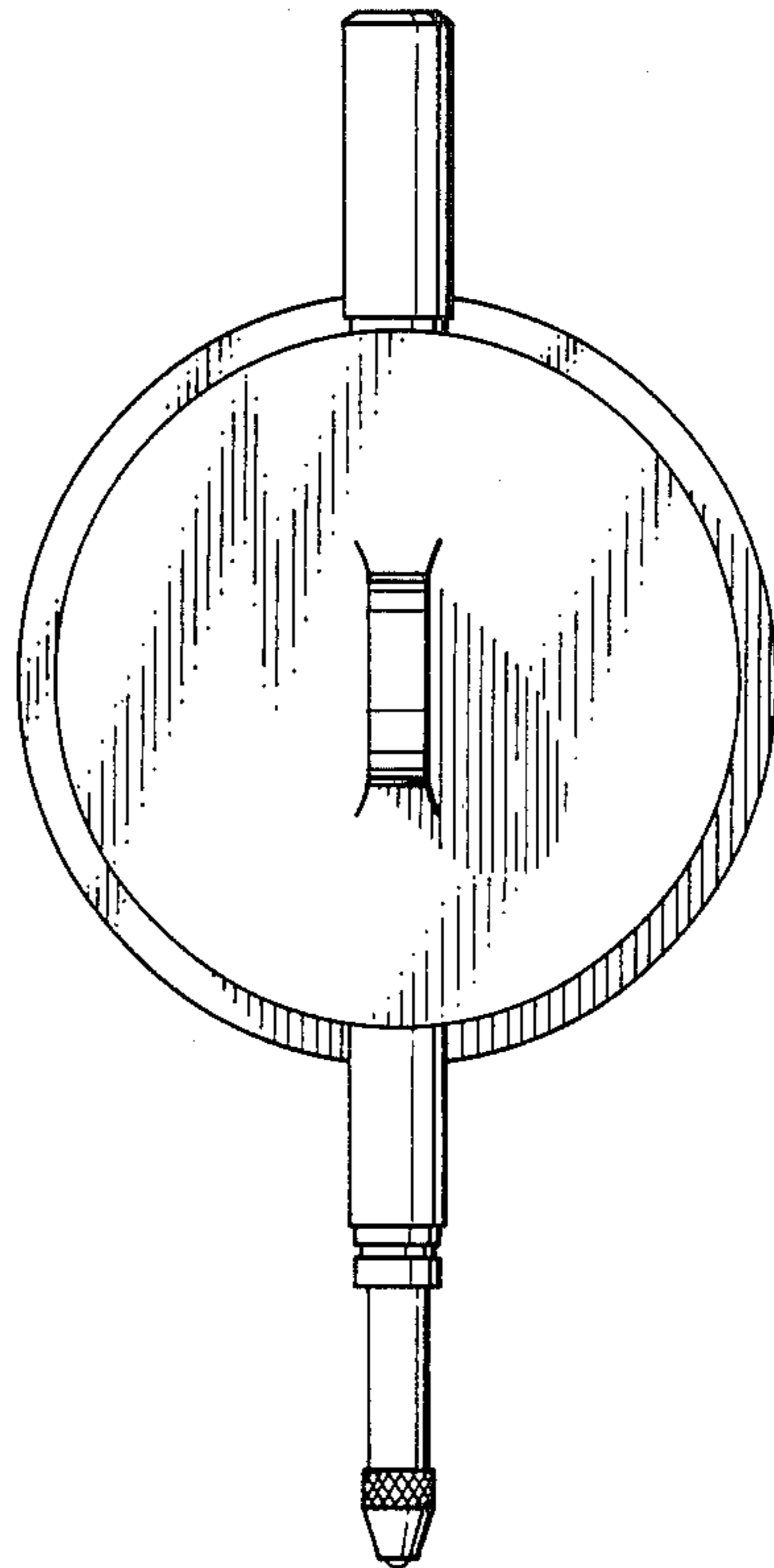


FIG. 4

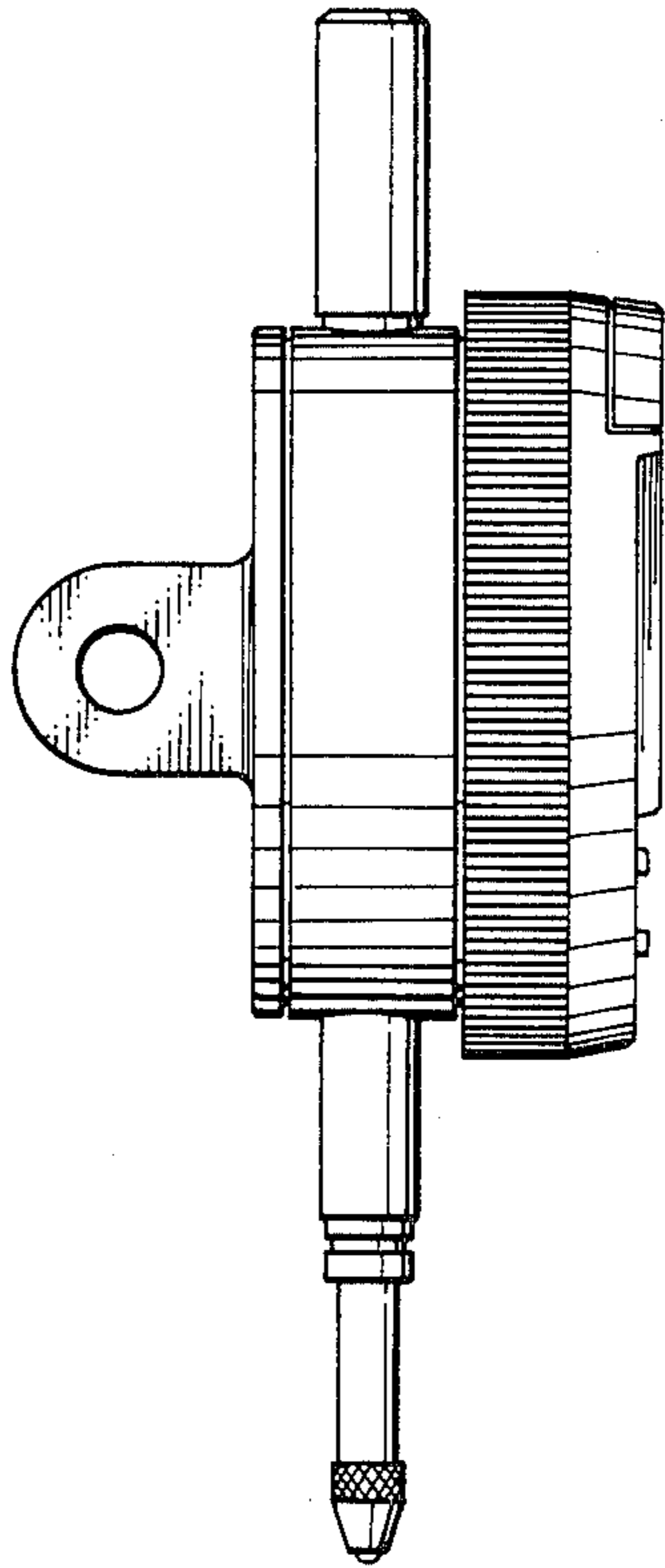


FIG. 5

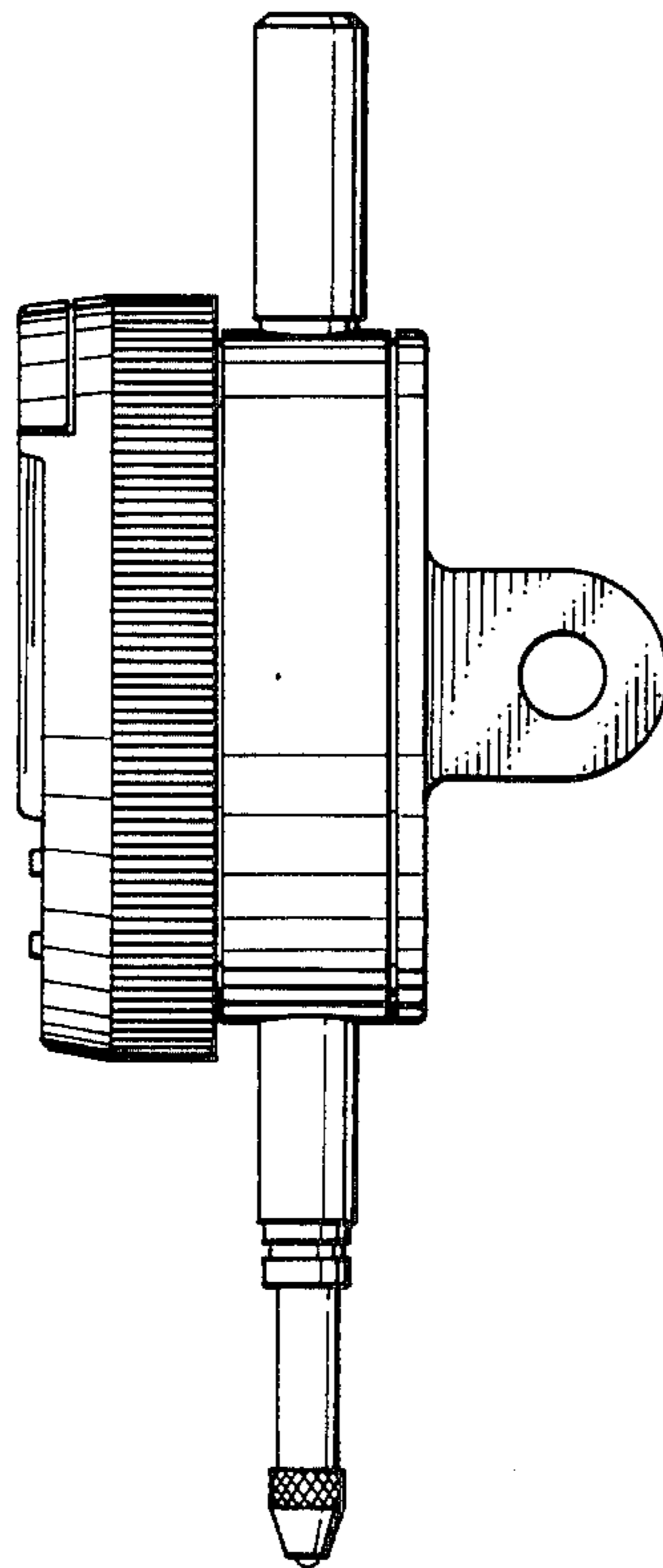


FIG. 6

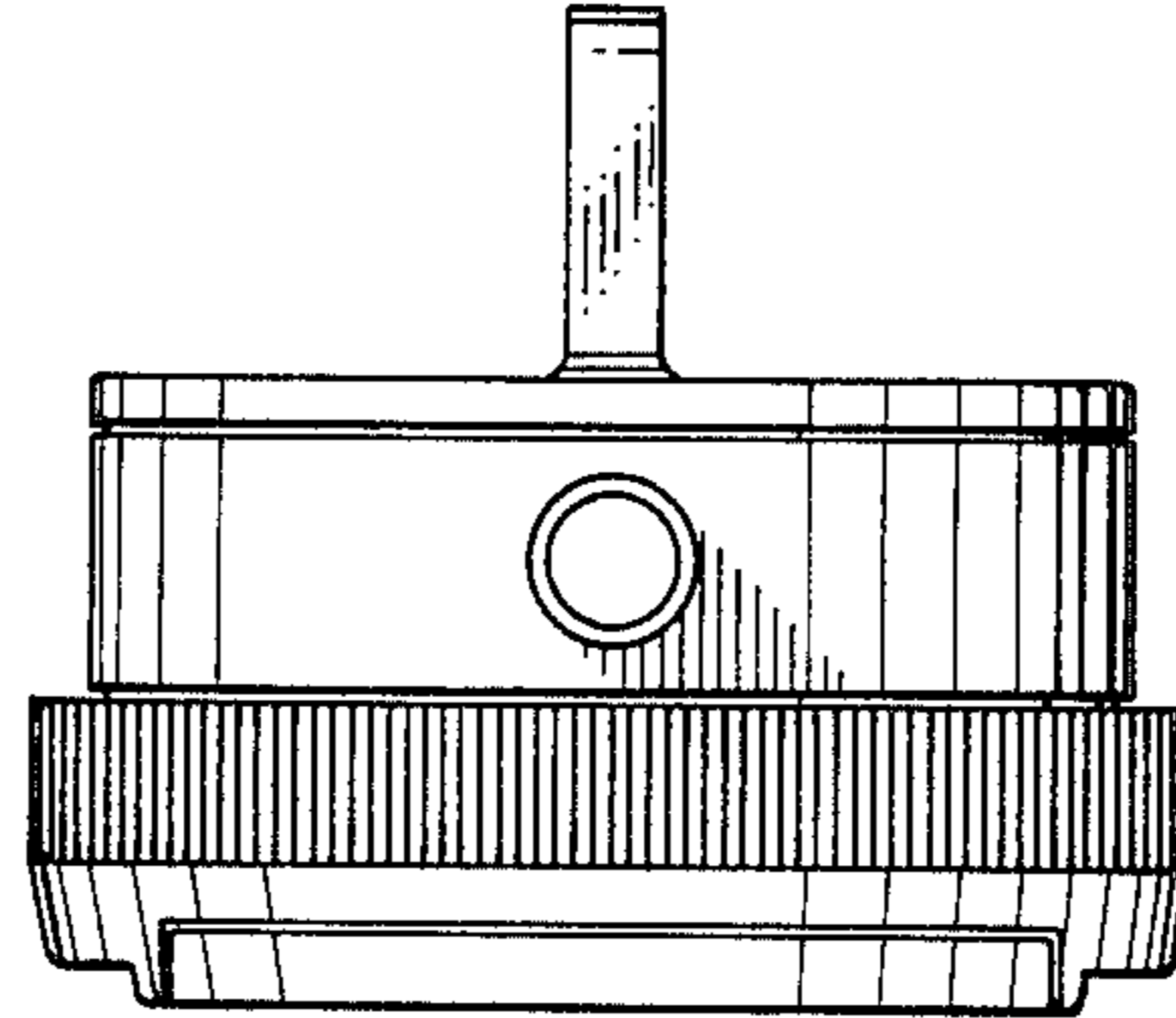


FIG. 7

