

[54] **DISPLAY HOOK FOR PEGBOARD OR THE LIKE**

[75] **Inventor: V. James Hutchison, Denver, Colo.**

[73] **Assignee: T-Plastech Corporation, Englewood, Colo.**

[**] **Term: 14 Years**

[21] **Appl. No.: 847,835**

[22] **Filed: Apr. 3, 1986**

[52] **U.S. Cl. D8/367; D8/373; D8/3; D8/370; 248/221.2**

[58] **Field of Search D8/373, 367, 380, 370, D8/381; 248/221.1, 221.2, 226.4; 211/54.1, 59.1, 57.1; 52/36; D6/572, 567**

[56] **References Cited**

U.S. PATENT DOCUMENTS

D. 115,180	6/1939	Holden	D8/370 X
2,872,145	2/1959	Goldsholl	D8/363 X
3,724,792	4/1973	Thalenfeld	248/220.4
3,897,926	8/1975	Silver et al.	248/221.2 X
4,226,394	10/1980	Einhorn	D8/367
4,351,440	9/1982	Thalenfeld	211/57.1
4,591,058	5/1986	Amstutz et al.	52/36 X
4,619,428	10/1986	Bailey	248/221.2

FOREIGN PATENT DOCUMENTS

243613	10/1962	Australia	248/221.2
1357477	6/1974	United Kingdom	248/221.2

OTHER PUBLICATIONS

DIY Retailing Mag., Aug. 1985, Vol. CXLVIX; p. 70, Quarter of Sheet.

Visual Merchandizing, Apr. 1977; p. 26: "Fast Back" Hooks FB Series.

Armstrong Store Fixture Corp., Safety Hooks; Brochure, see metal display Hooks; Series "3301".

Primary Examiner—Horace B. Fay, Jr.

Attorney, Agent, or Firm—Timothy J. Martin; J. Preston Oxenham

[57] **CLAIM**

The ornamental design for a display hook for pegboard or the like, as shown and described.

DESCRIPTION

FIG. 1 is a right side, top and front perspective view of a display hook for pegboard or the like showing my new design;

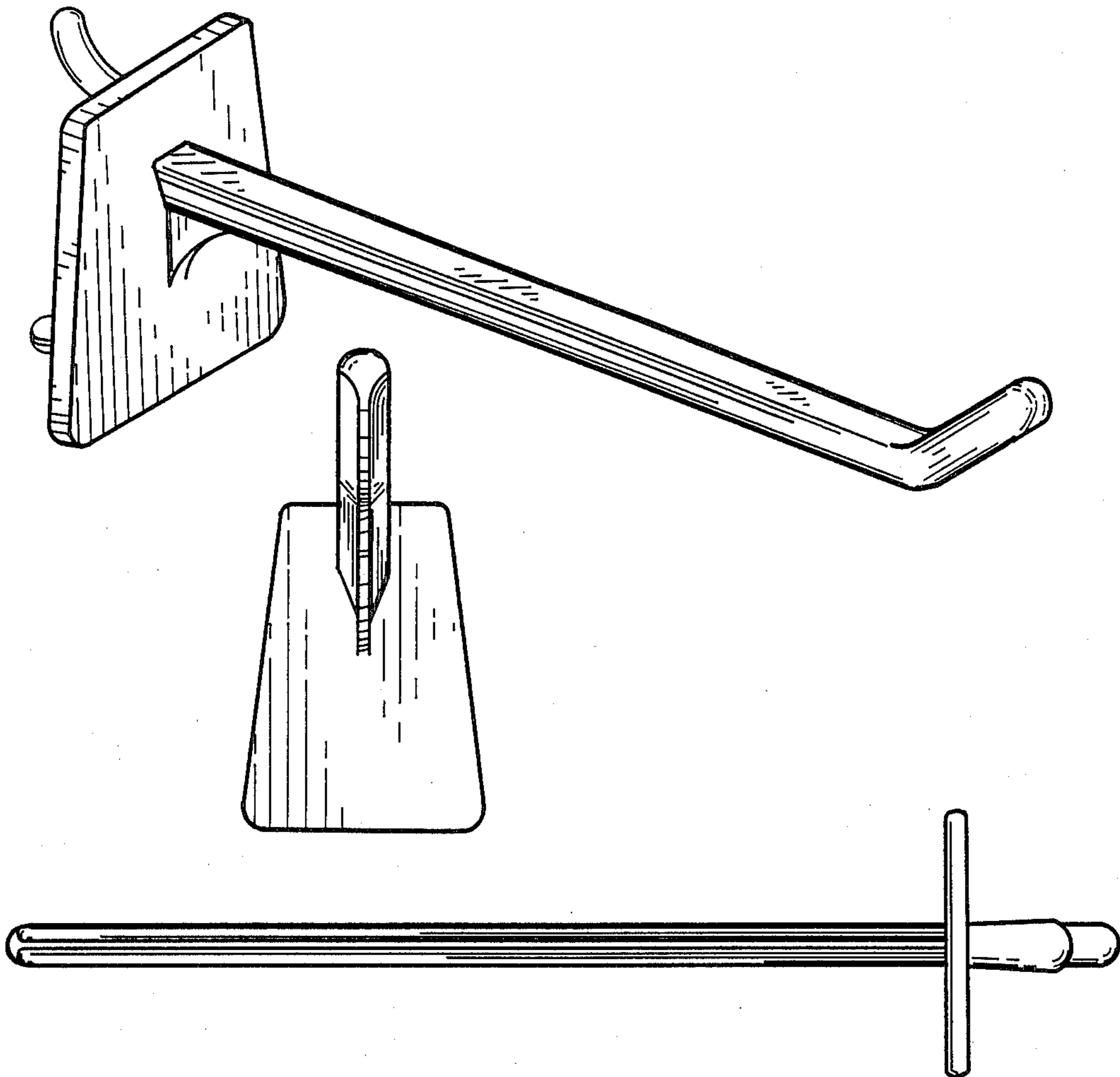
FIG. 2 is a right side elevational view thereof;

FIG. 3 is a front elevational view thereof;

FIG. 4 is a left side elevational view thereof;

FIG. 5 is a rear elevational view thereof; and

FIGS. 6 and 7 are respectively bottom and top plan view thereof.



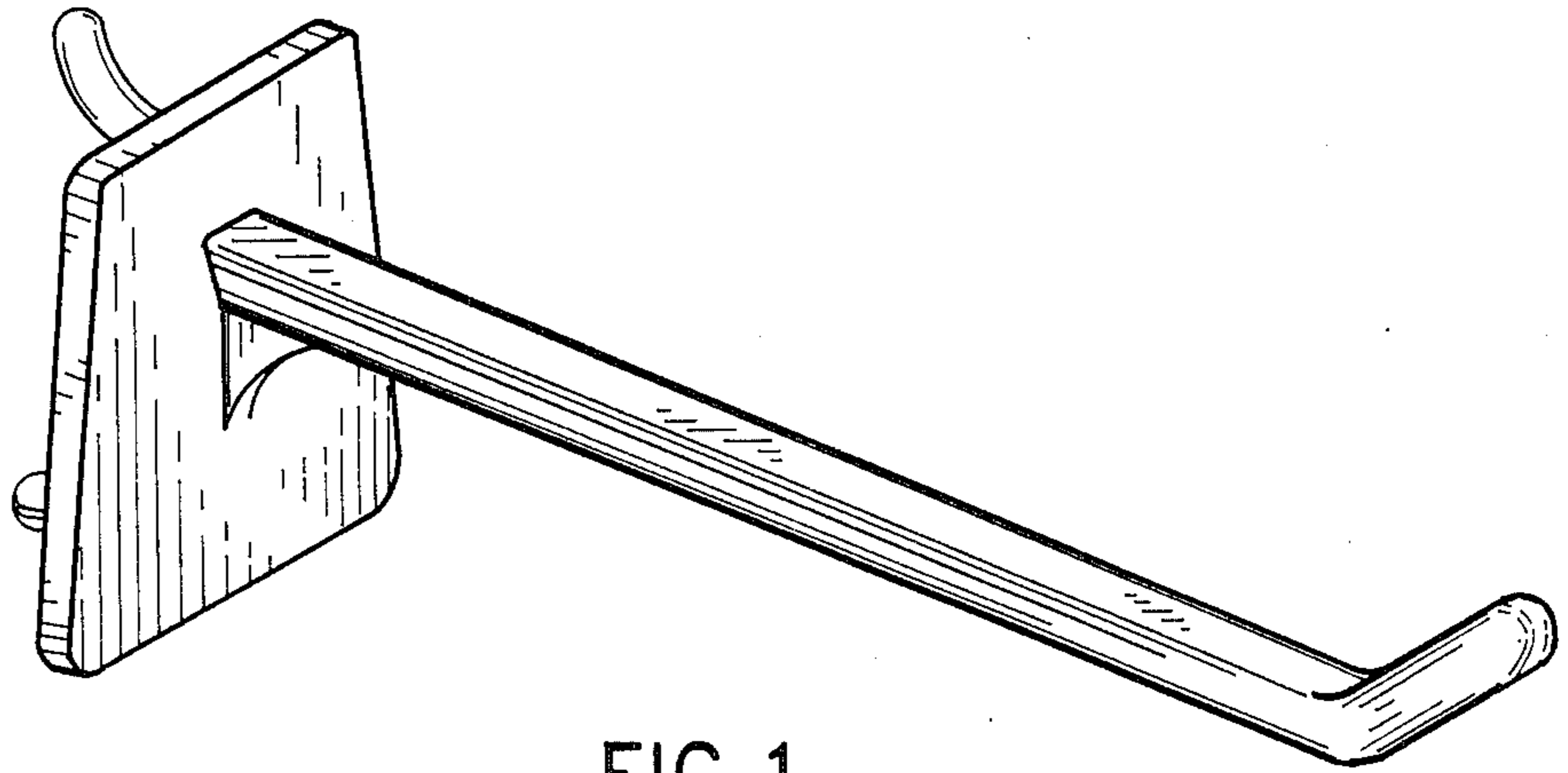


FIG. 1

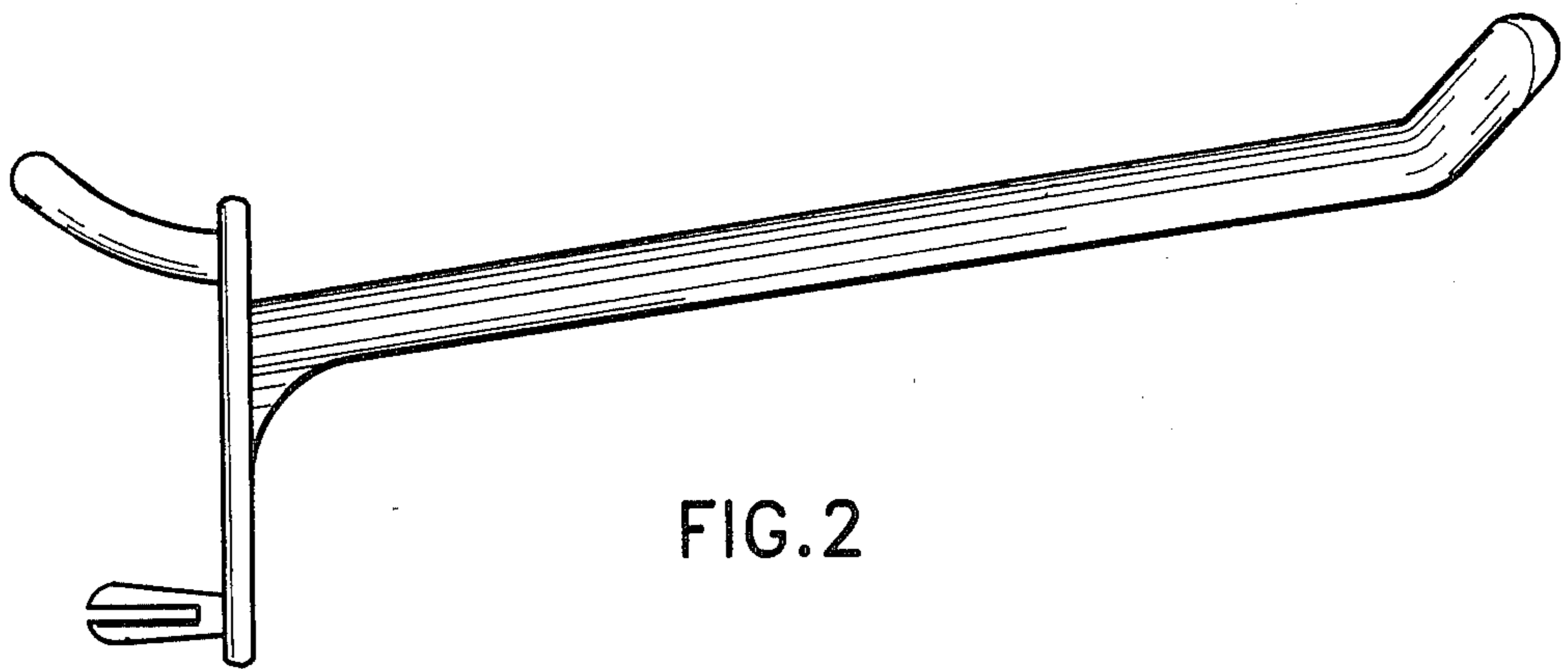


FIG. 2

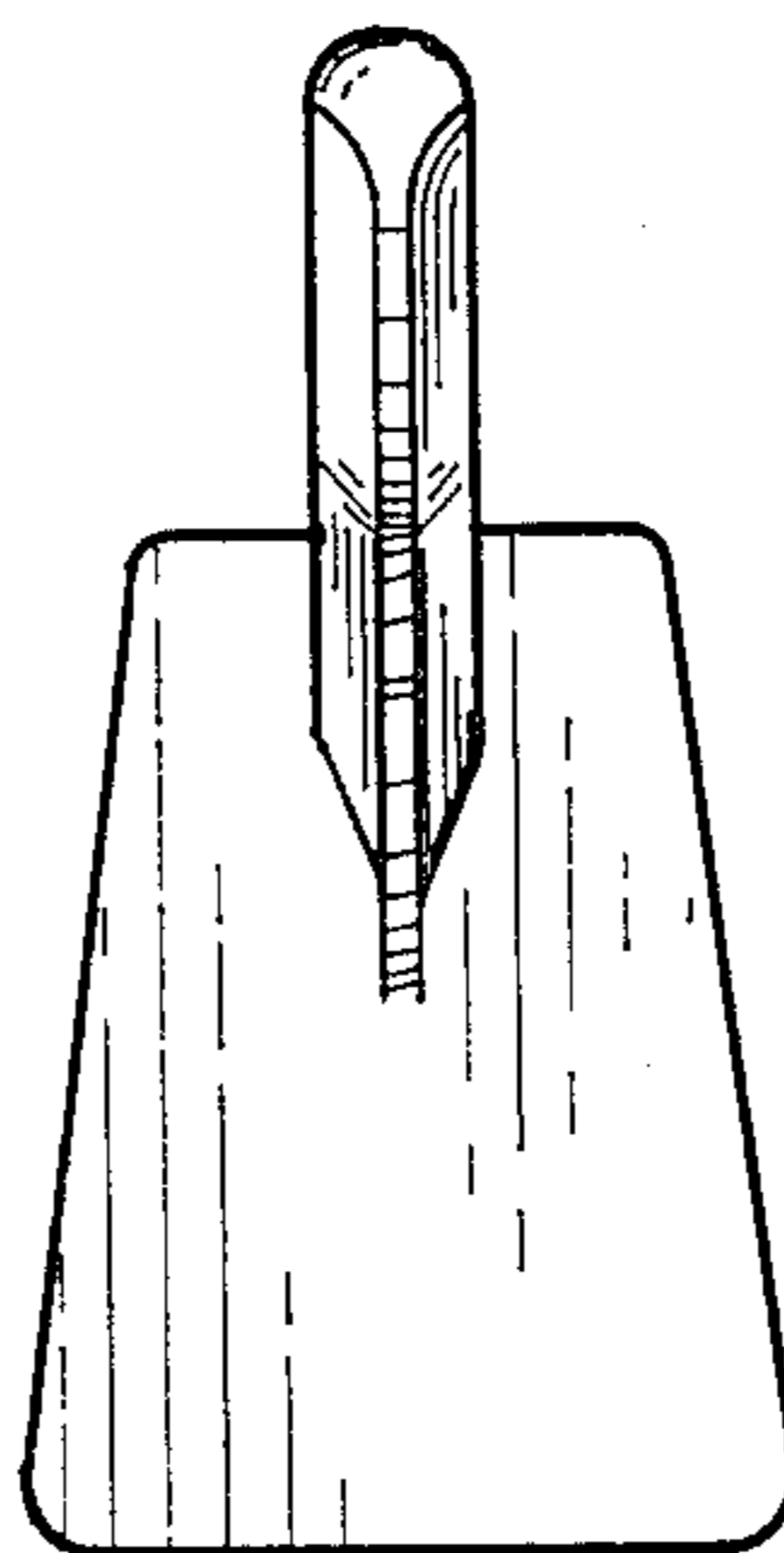


FIG. 3

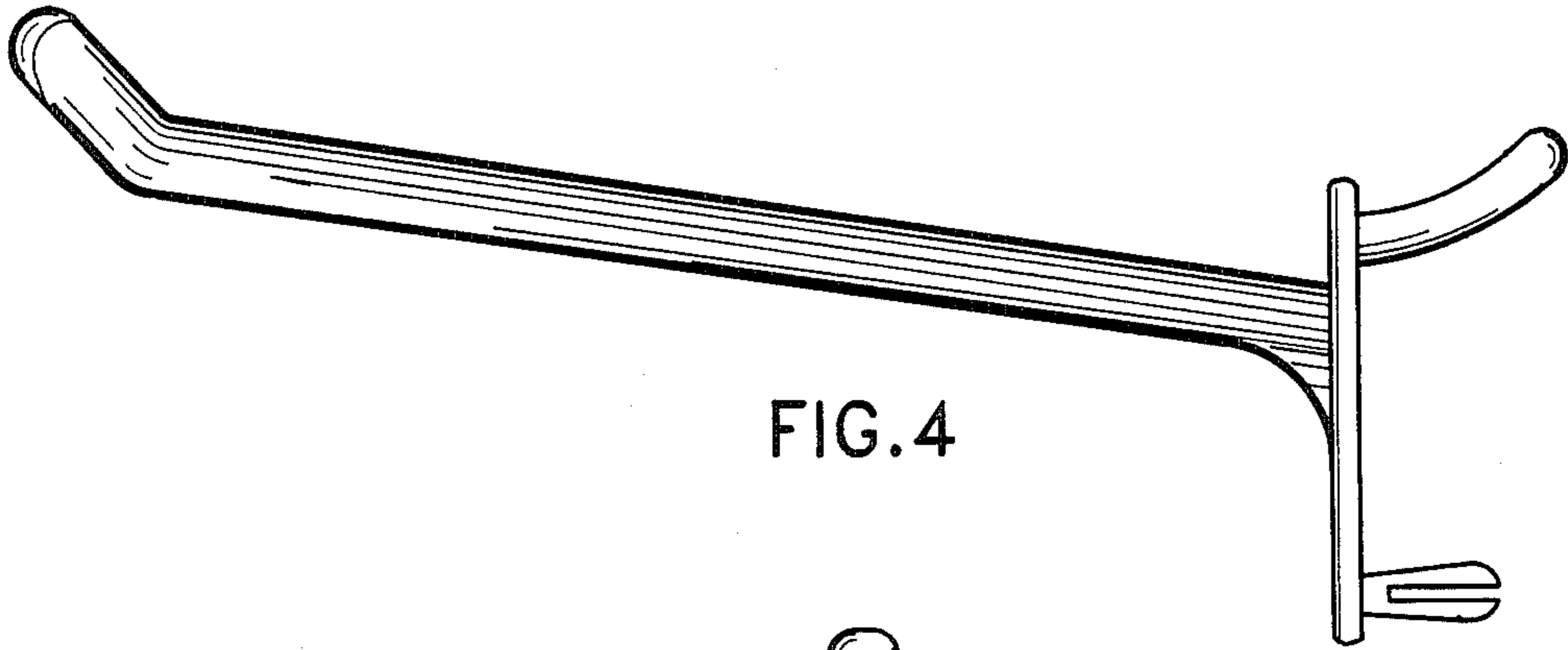


FIG. 4

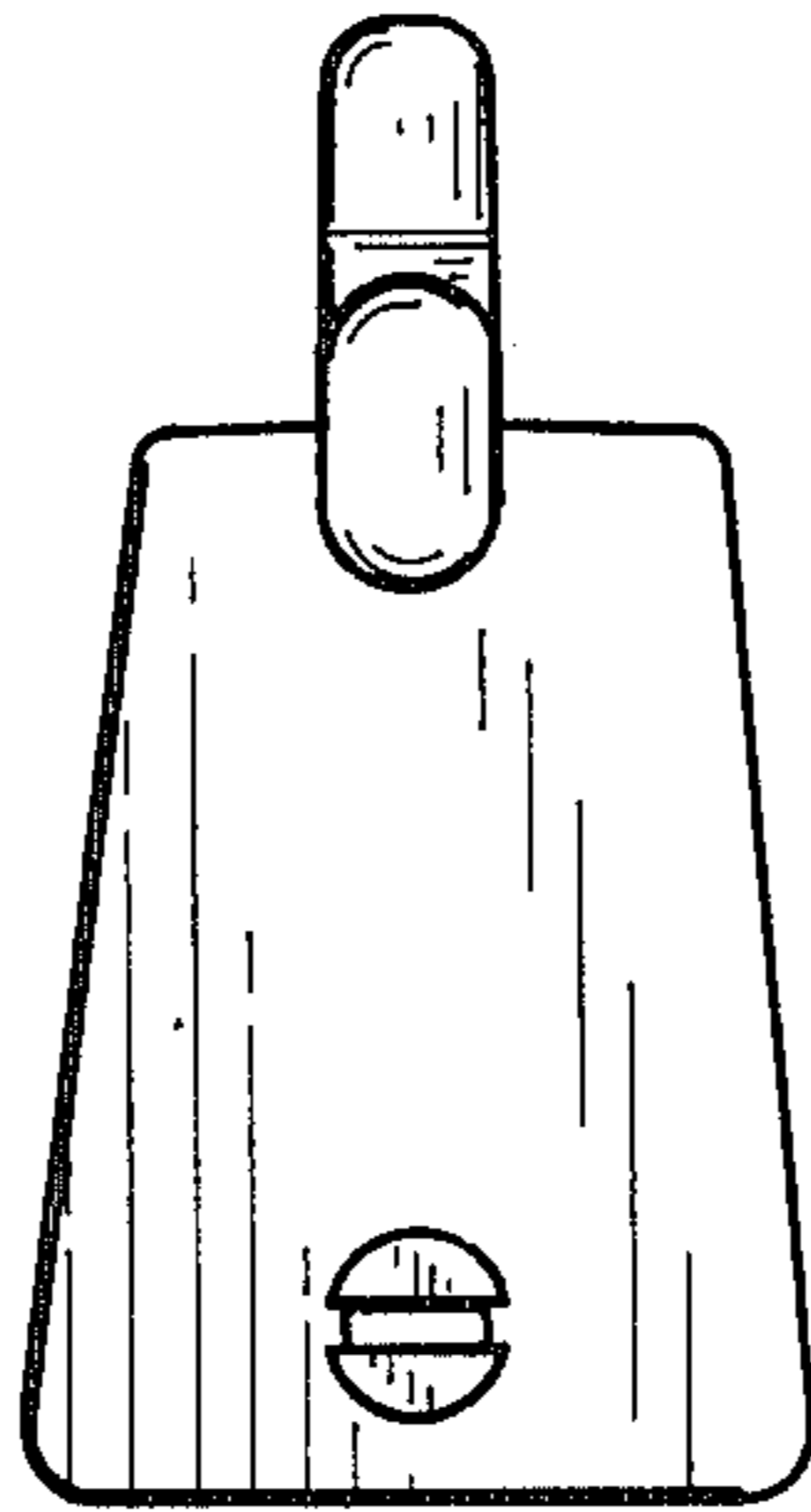


FIG. 5

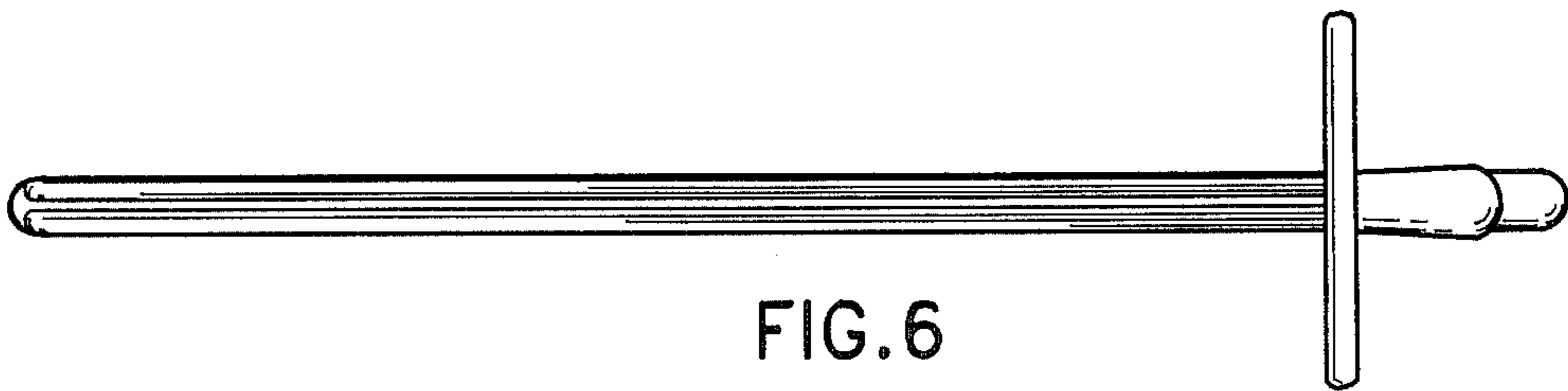


FIG. 6

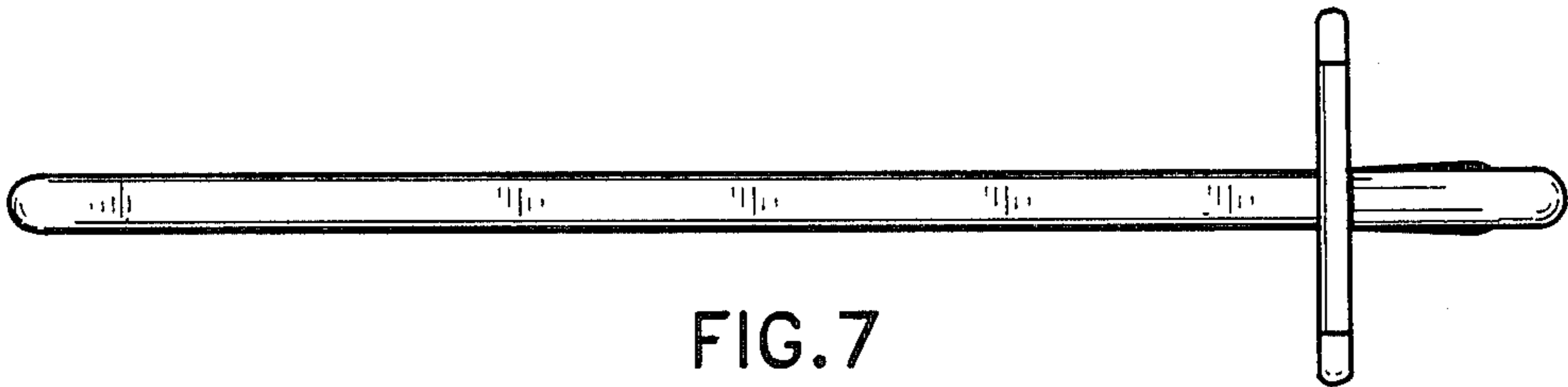


FIG. 7