

[54] **ESPRESSO MACHINE**

[75] **Inventor: Alberto Pandolfi, Milan, Italy**

[73] **Assignee: 501 Brevelle Gaggia S.p.A., Robecco Sul Naviglio, Italy**

[**] **Term: 14 Years**

[21] **Appl. No.: 822,253**

[22] **Filed: Jan. 24, 1986**

[30] **Foreign Application Priority Data**

Jul. 26, 1985 [IT] Italy 53643/85[U]

[52] **U.S. Cl. D7/309; D7/311**

[58] **Field of Search D7/309, 305, 310, 311, D7/300, 312, 308**

[56] **References Cited**

U.S. PATENT DOCUMENTS

- D. 196,629 10/1963 Decarli D7/309
- D. 292,258 10/1987 Diefenbach D7/311 X
- 3,740,231 6/1973 Drwal et al. D7/309 X

FOREIGN PATENT DOCUMENTS

401399 5/1966 Switzerland D7/308

OTHER PUBLICATIONS

Domus, Apr. 1977, p. 725 "Mini Gaggia Vapor", Domestic Espresso Coffee and Tea Machine (Prod. Aplimont, Barcelona).

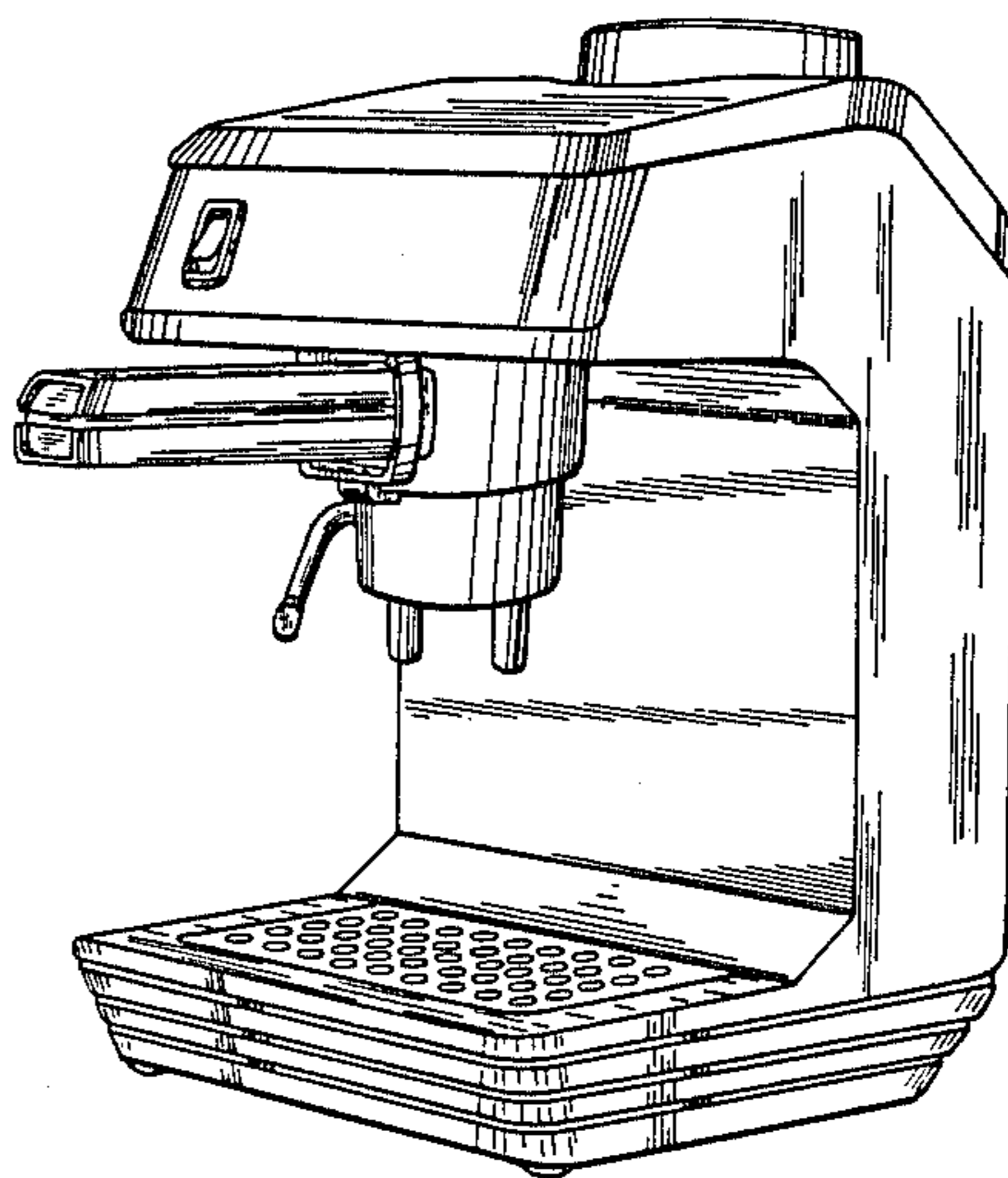
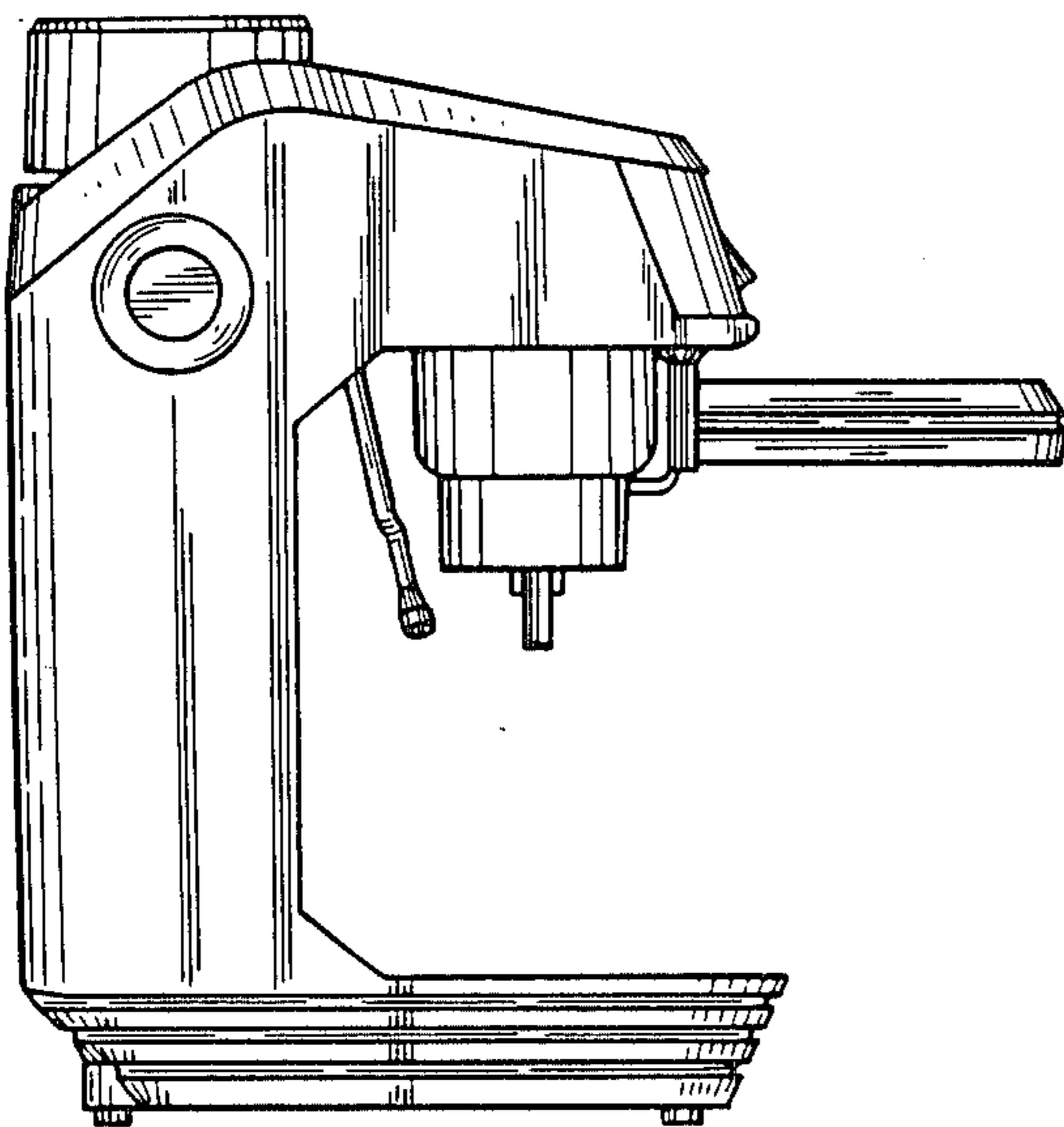
Primary Examiner—Winifred E. Herrmann
Attorney, Agent, or Firm—D. Peter Hochberg; Mark M. Kusner; Louis J. Weisz

[57] **CLAIM**

The ornamental design for an espresso machine, as shown.

DESCRIPTION

FIG. 1 is an elevational view of one side of an espresso machine showing my new design;
 FIG. 2 is a front elevational view thereof;
 FIG. 3 is a top plan view thereof;
 FIG. 4 is an elevational view showing the other side thereof;
 FIG. 5 is a rear elevational view thereof;
 FIG. 6 is a bottom plan view thereof; and
 FIG. 7 is a perspective view thereof.



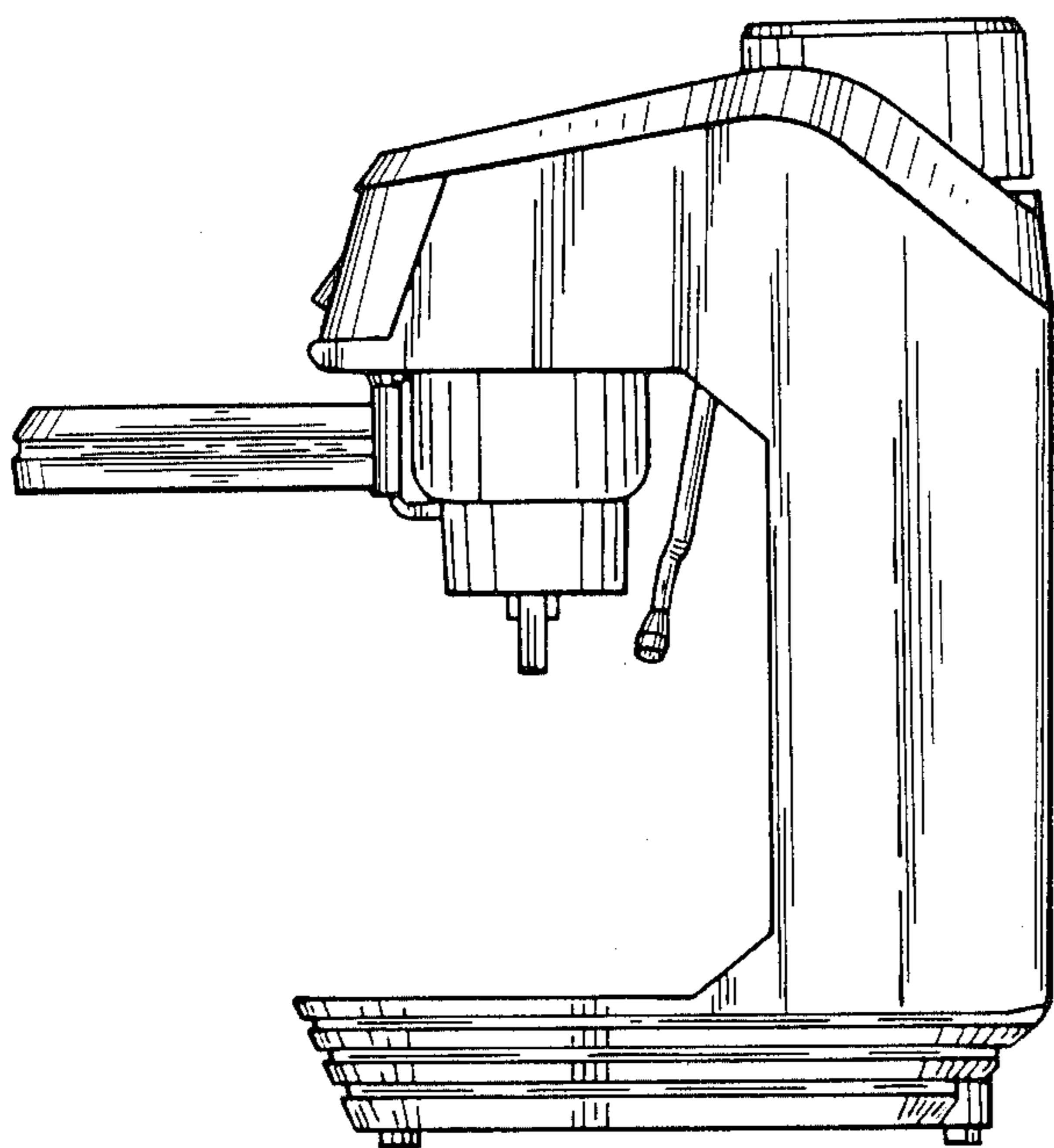


FIG. 1

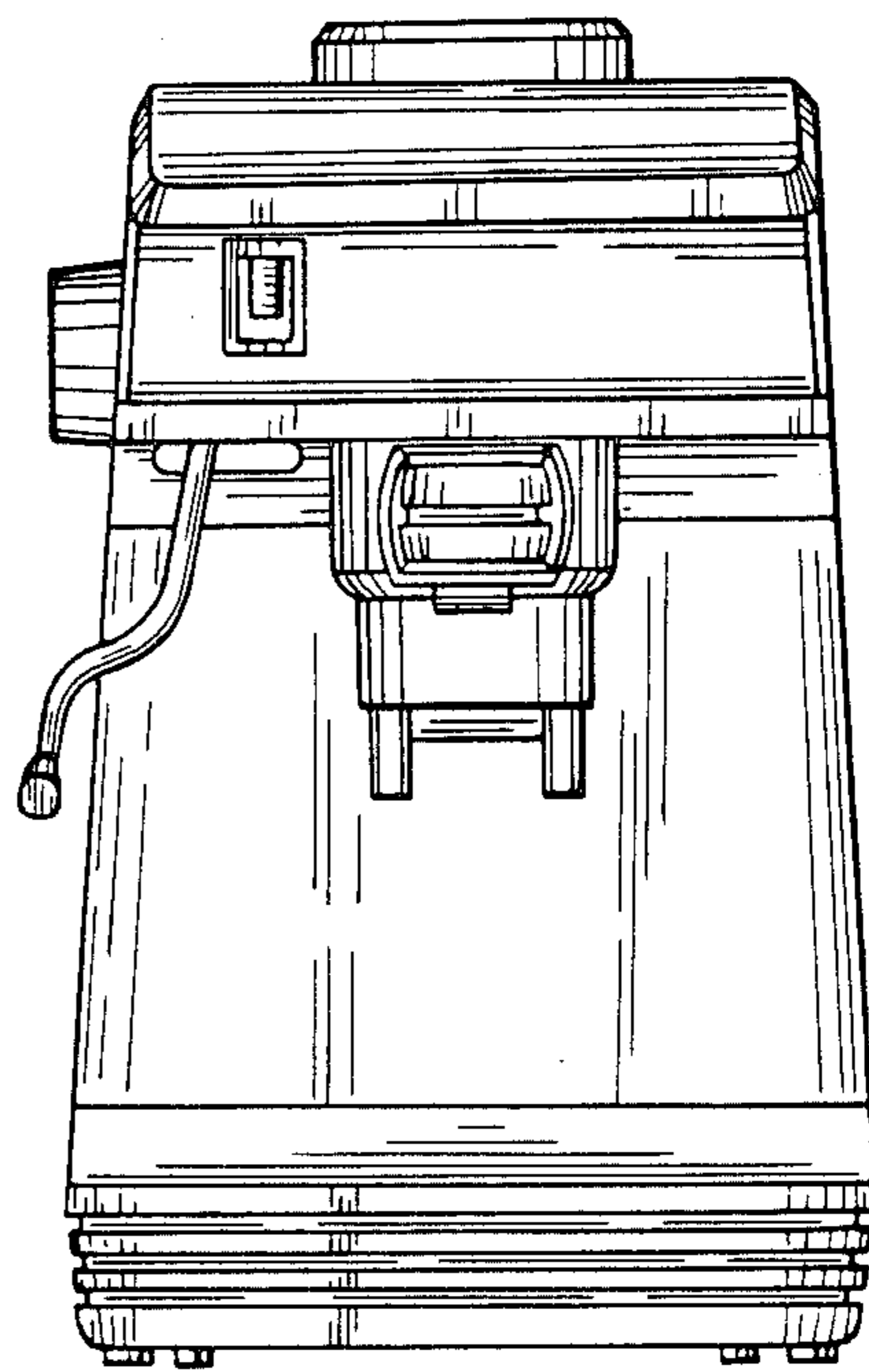


FIG. 2

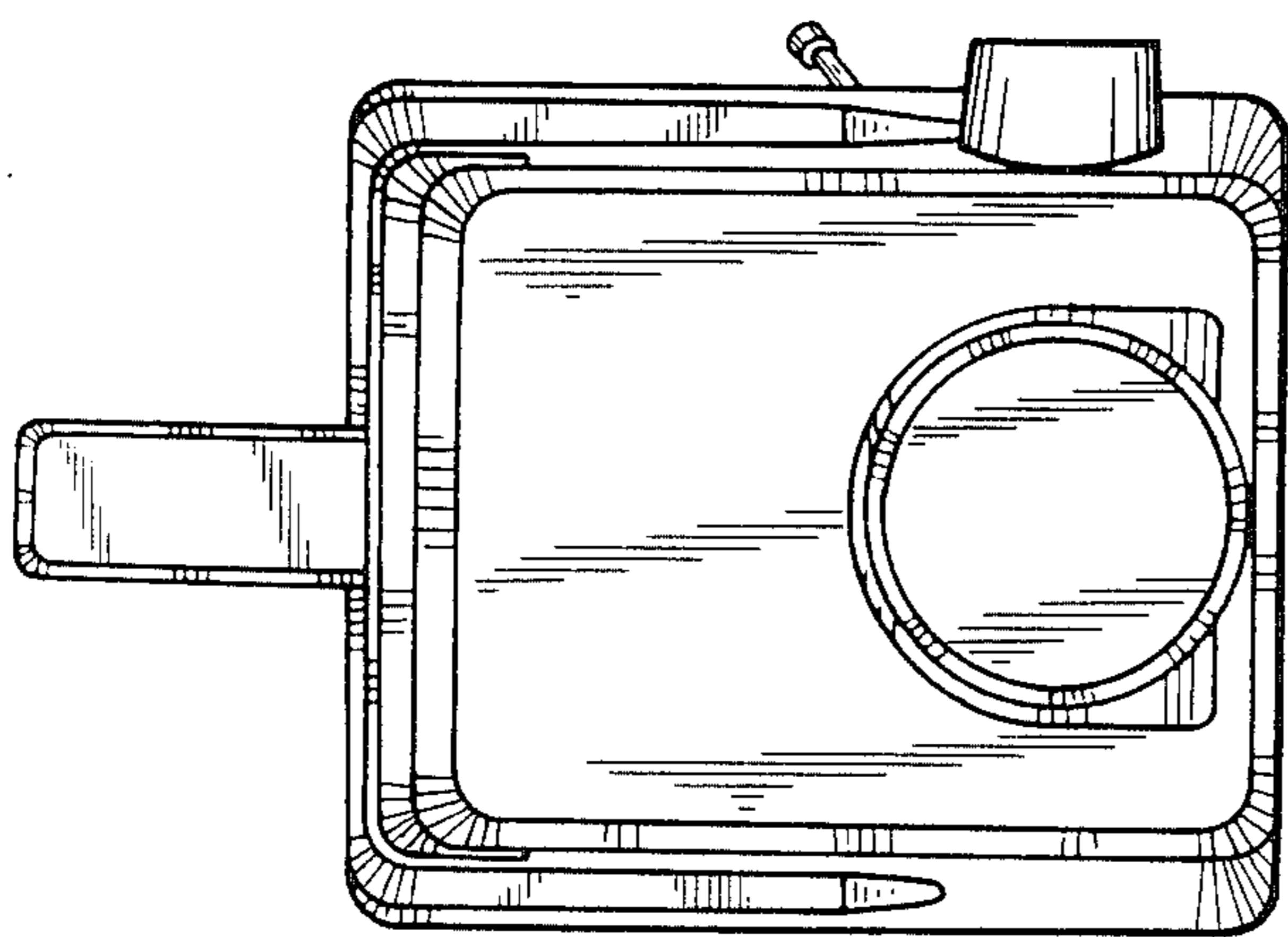


FIG. 3

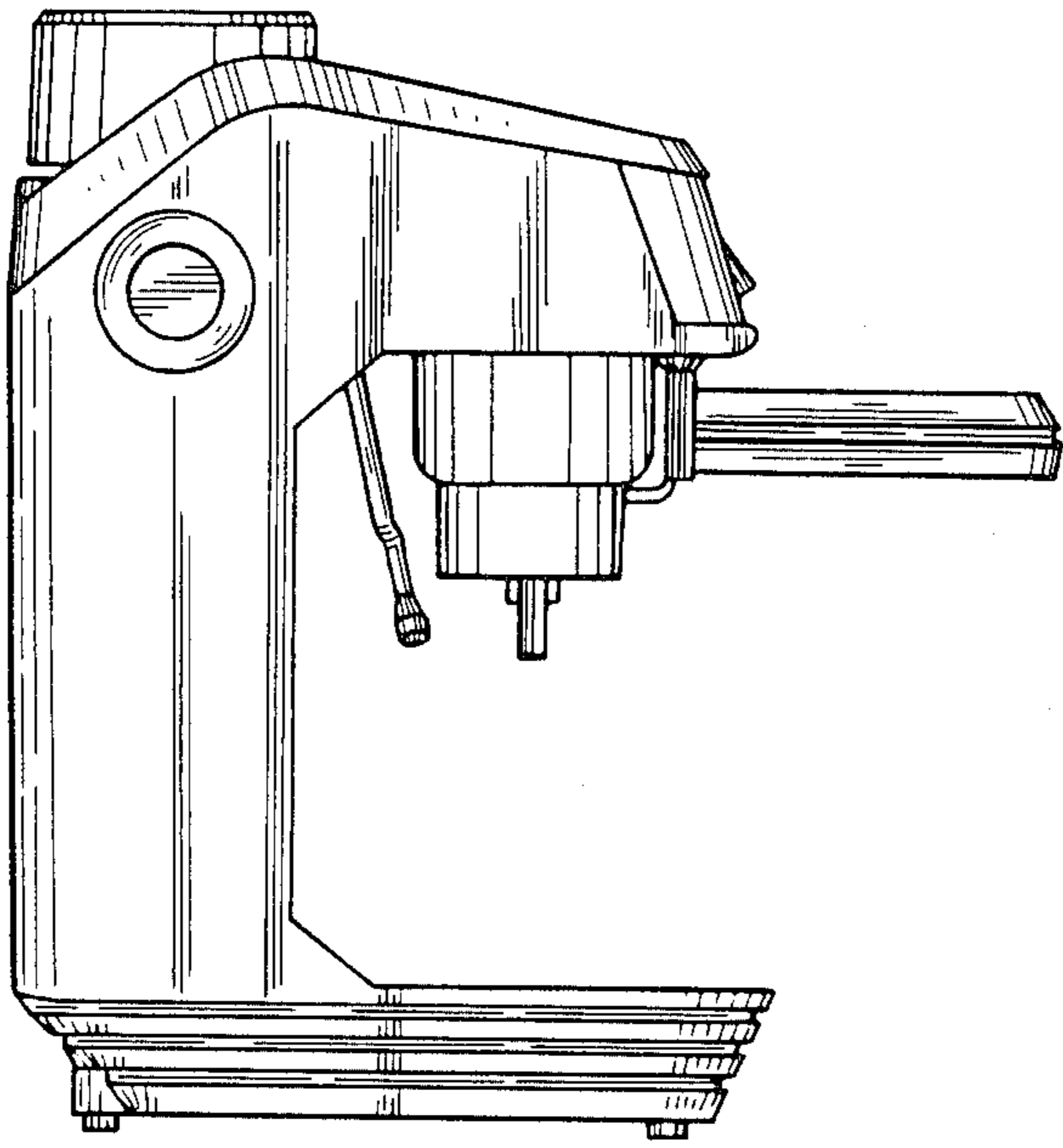


FIG. 4

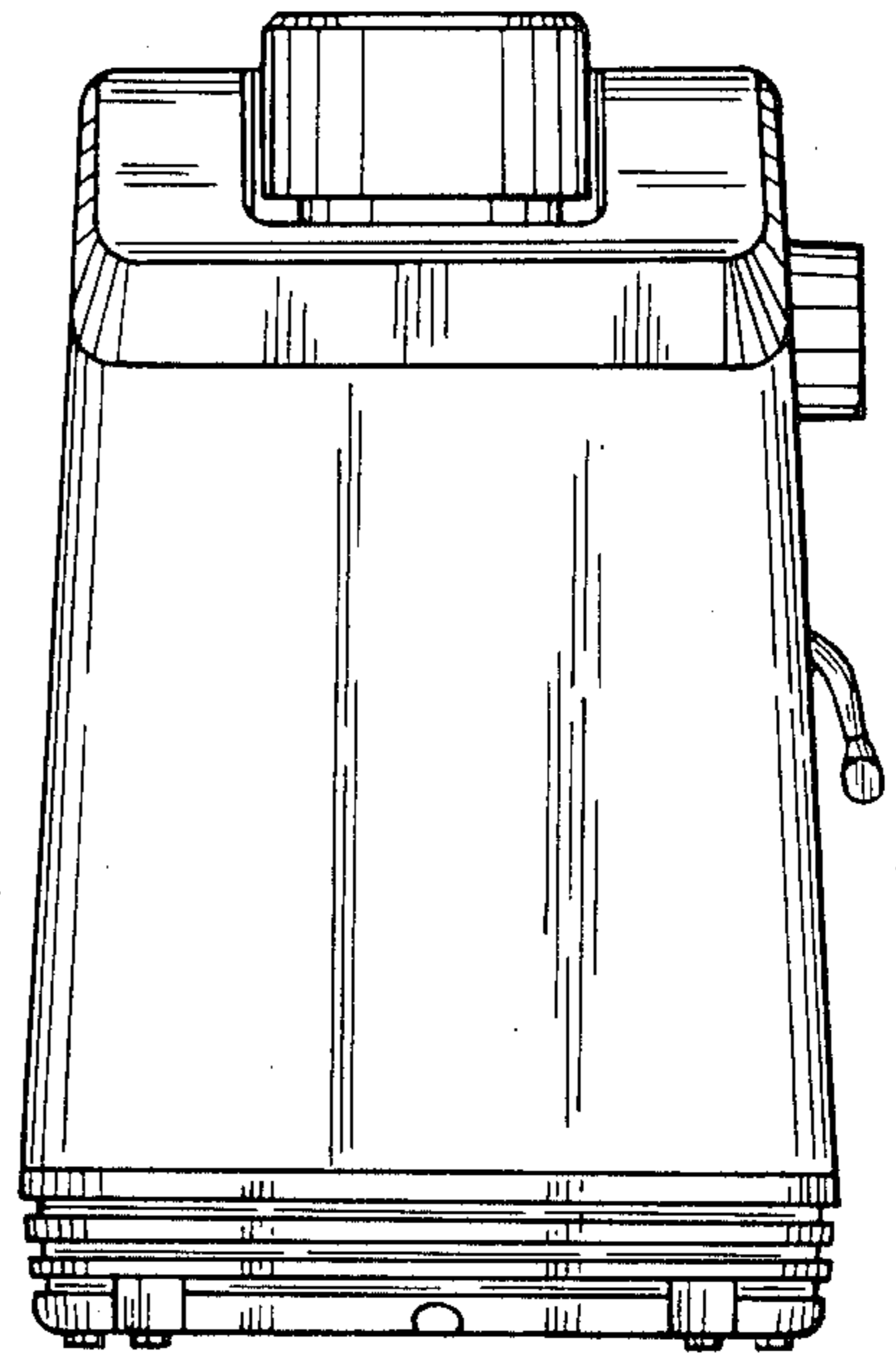


FIG. 5

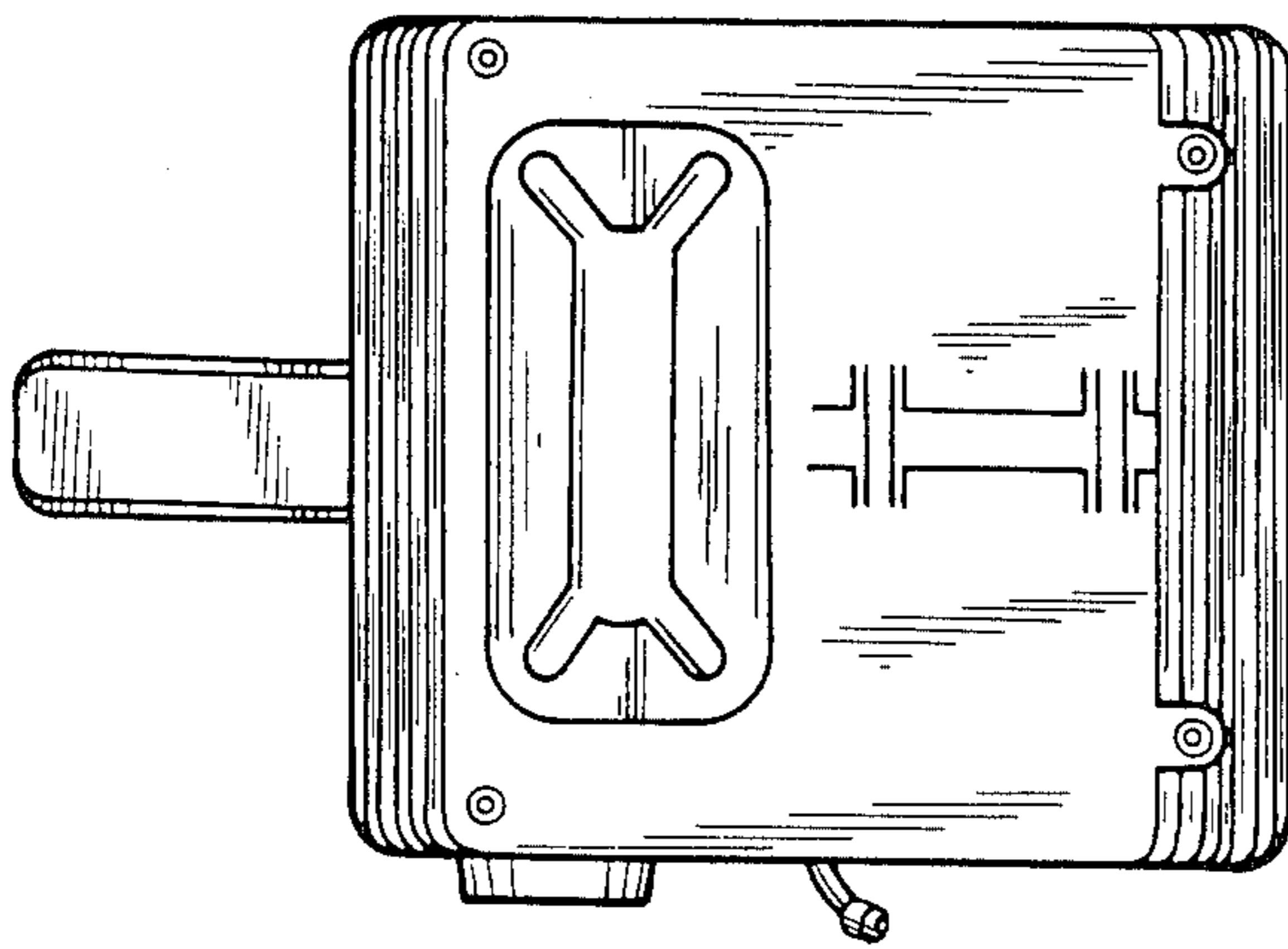


FIG. 6

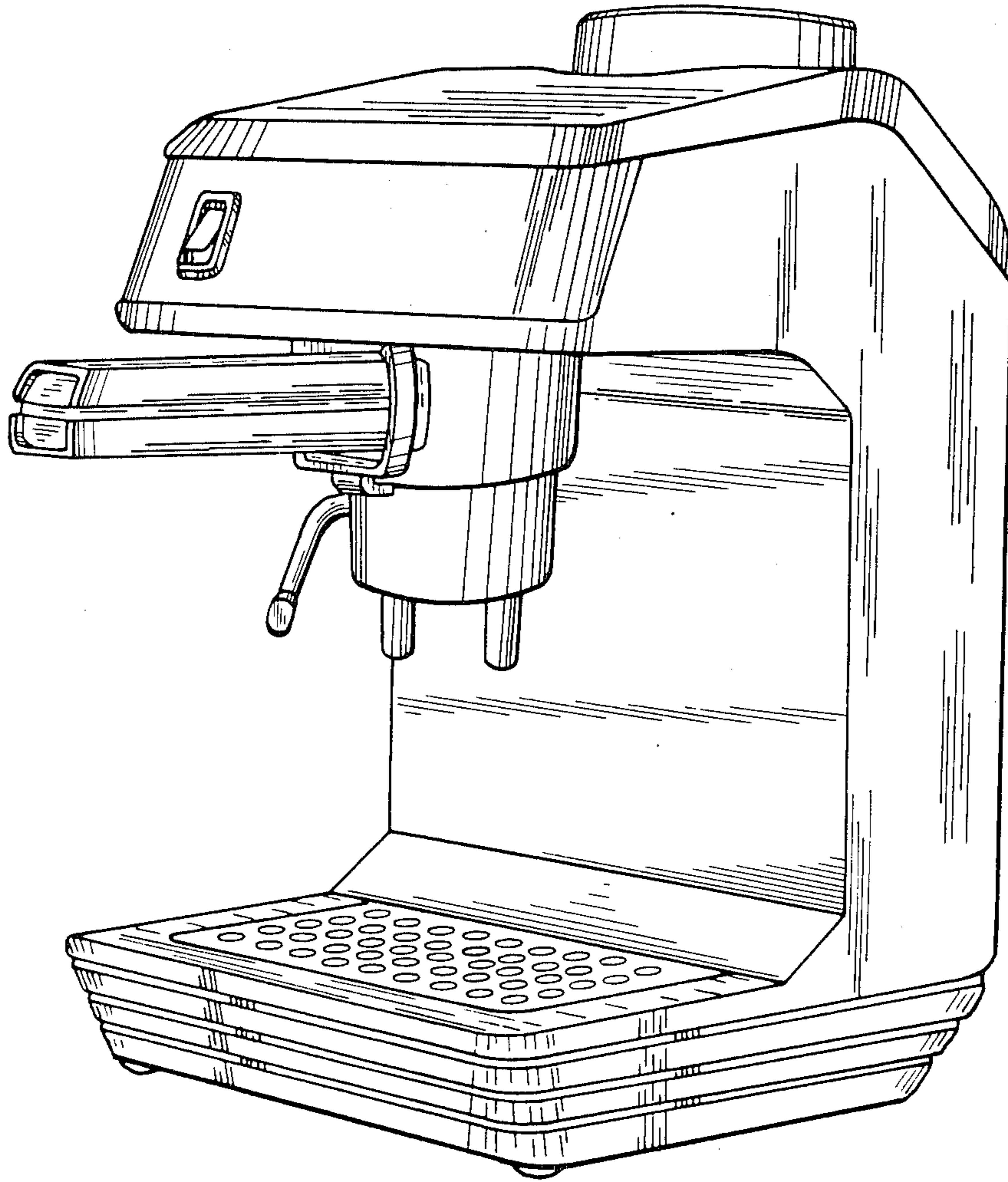


FIG. 7