

[54] ESPRESSO COFFEE MAKING MACHINE

[75] Inventor: Florian Seiffert, Wiesbaden, Fed. Rep. of Germany

[73] Assignee: Robert Krups Stiftung & Co. KG, Solingen, Fed. Rep. of Germany

[**] Term: 14 Years

[21] Appl. No.: 844,745

[22] Filed: Mar. 14, 1986

[52] U.S. Cl. D7/309; D7/311

[58] Field of Search D7/309, 305, 310, 311, D7/312, 300, 306-308, 397, 399; 99/293, 299, 302 R

[56] References Cited

U.S. PATENT DOCUMENTS

D. 139,232	10/1944	Timmis	D7/308
D. 248,721	8/1978	Sato et al.	D7/309
D. 255,120	5/1980	Bardeau	D7/309
D. 292,258	10/1987	Diefenbach	D7/311 X
4,644,856	2/1987	Borgmann	D7/309 X

OTHER PUBLICATIONS

Abitare 220, Dec., 1983, p. 61, panel #4 on left, "Kemi" Espresso Coffee Machine by Bauknecht Italiana.

Primary Examiner—Winifred E. Herrmann
Attorney, Agent, or Firm—Peter K. Kontler

[57] CLAIM

The ornamental design for an espresso coffee making machine as shown and described.

DESCRIPTION

FIG. 1 is a front left-side perspective view of an espresso coffee making machine showing one embodiment of my new design;

FIG. 2 is a front right-side perspective view thereof;

FIG. 3 is a rear left-side perspective view thereof;

FIG. 4 is a rear right-side perspective view thereof;

FIG. 5 is a left-side elevational view thereof;

FIG. 6 is a top plan view thereof;

FIG. 7 is a bottom plan view thereof;

FIG. 8 is a front elevational view thereof;

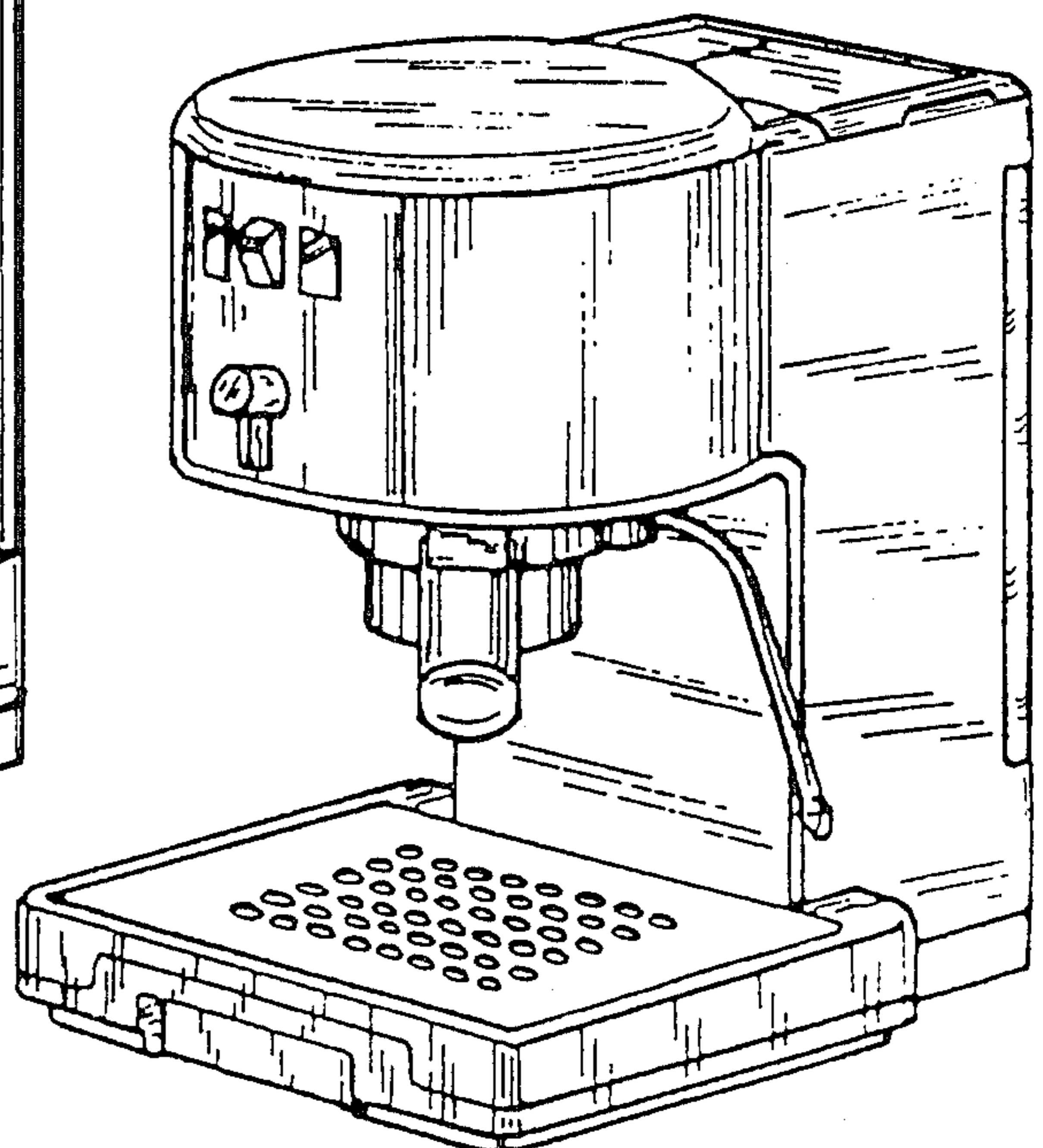
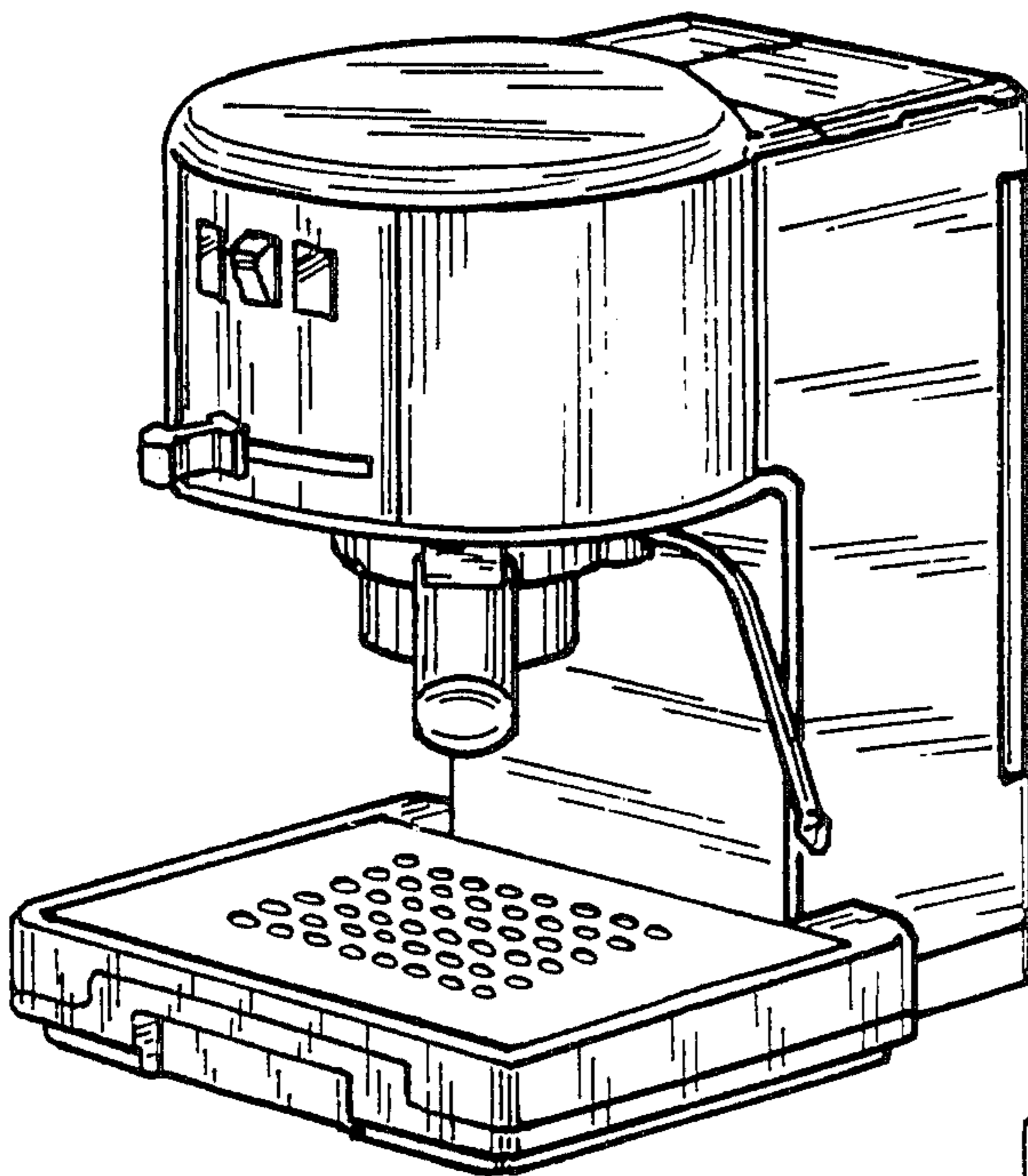
FIG. 9 is a rear elevational view thereof;

FIG. 10 is a right-side elevational view thereof;

FIG. 11 is a front left-side perspective view of an espresso coffee making machine showing a modification of my new design;

FIG. 12 is a front right-side perspective view of FIG. 11; and,

FIG. 13 is a front elevational view of FIG. 11.



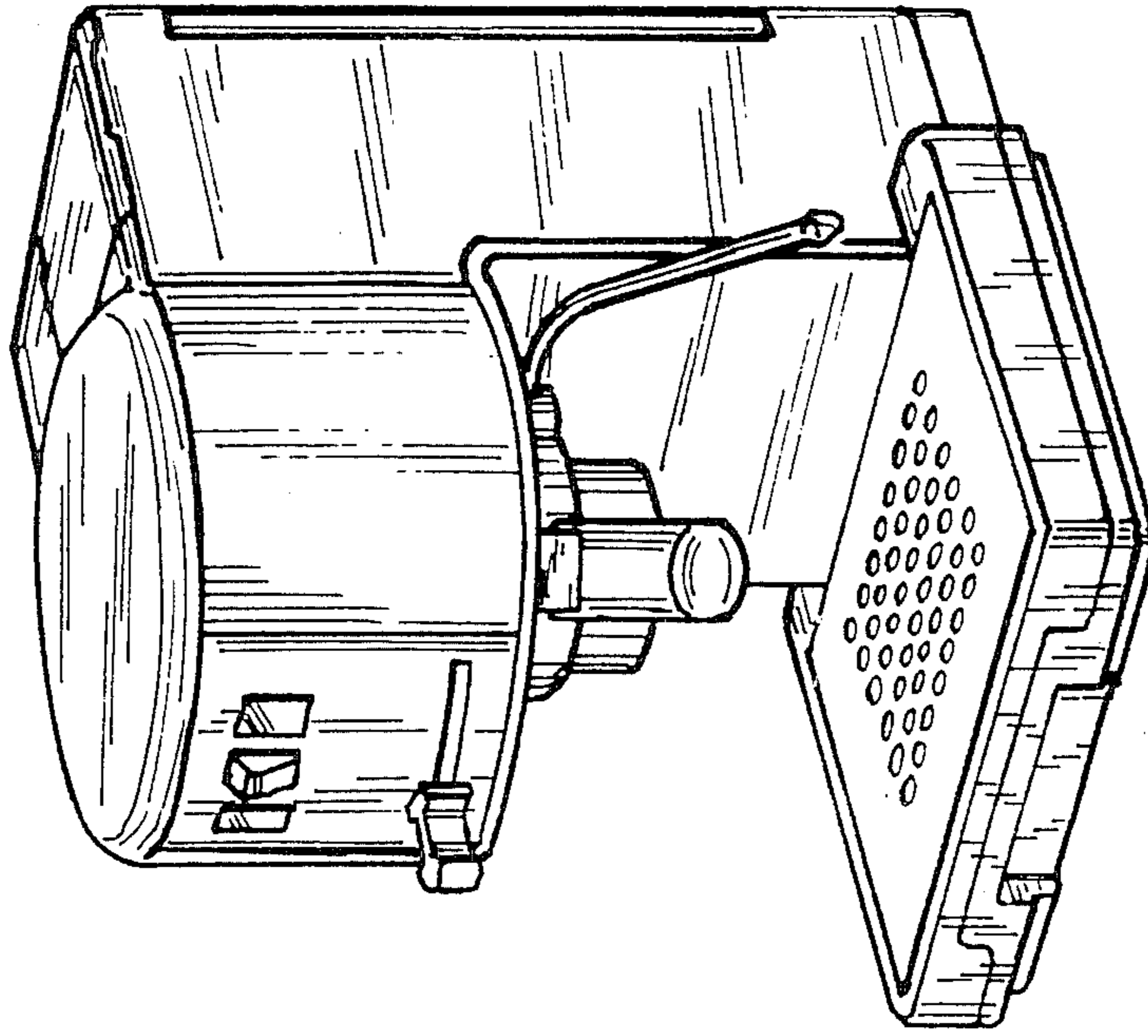


FIG. 2

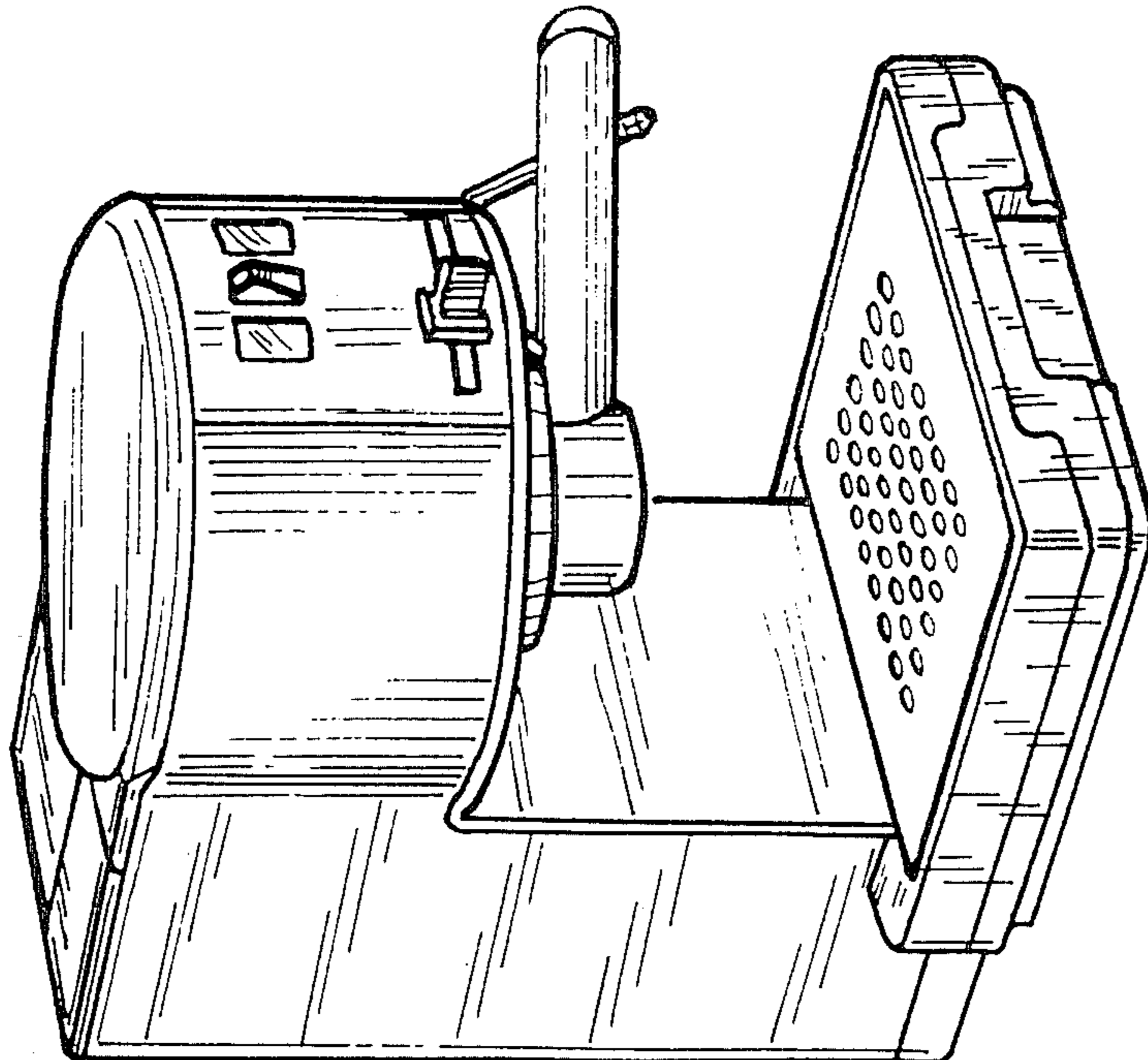


FIG. 1

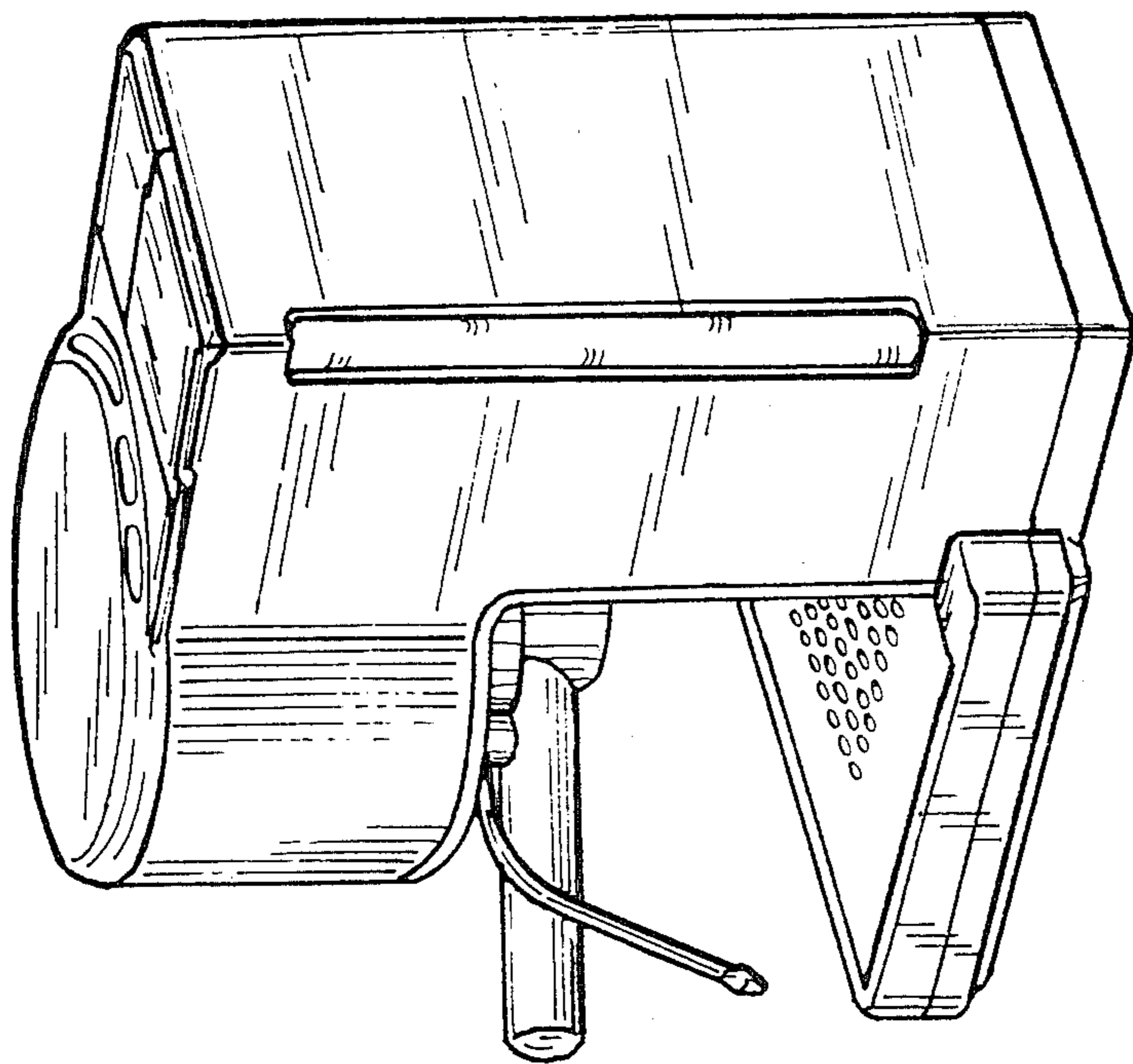


FIG. 4

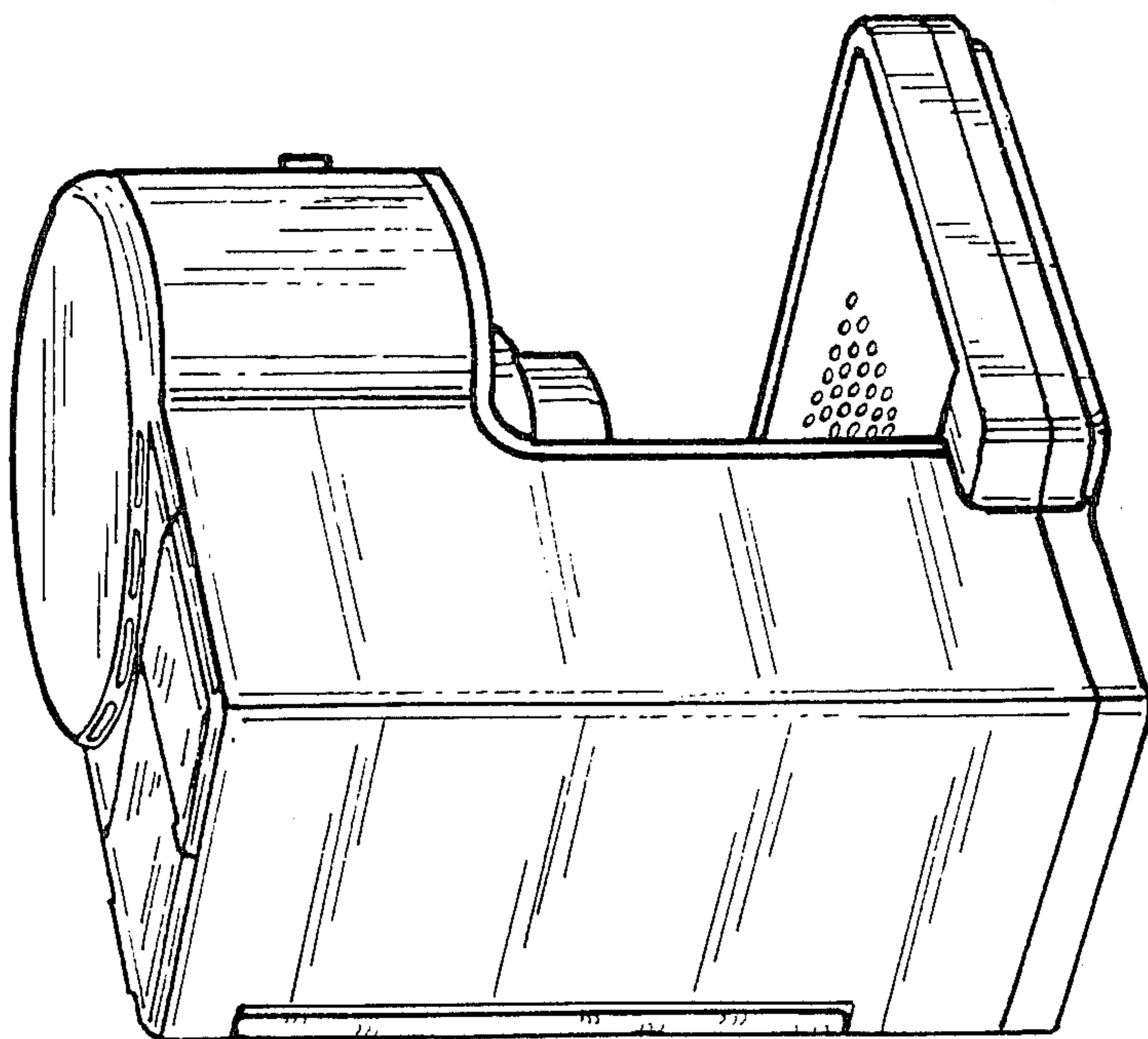


FIG. 3

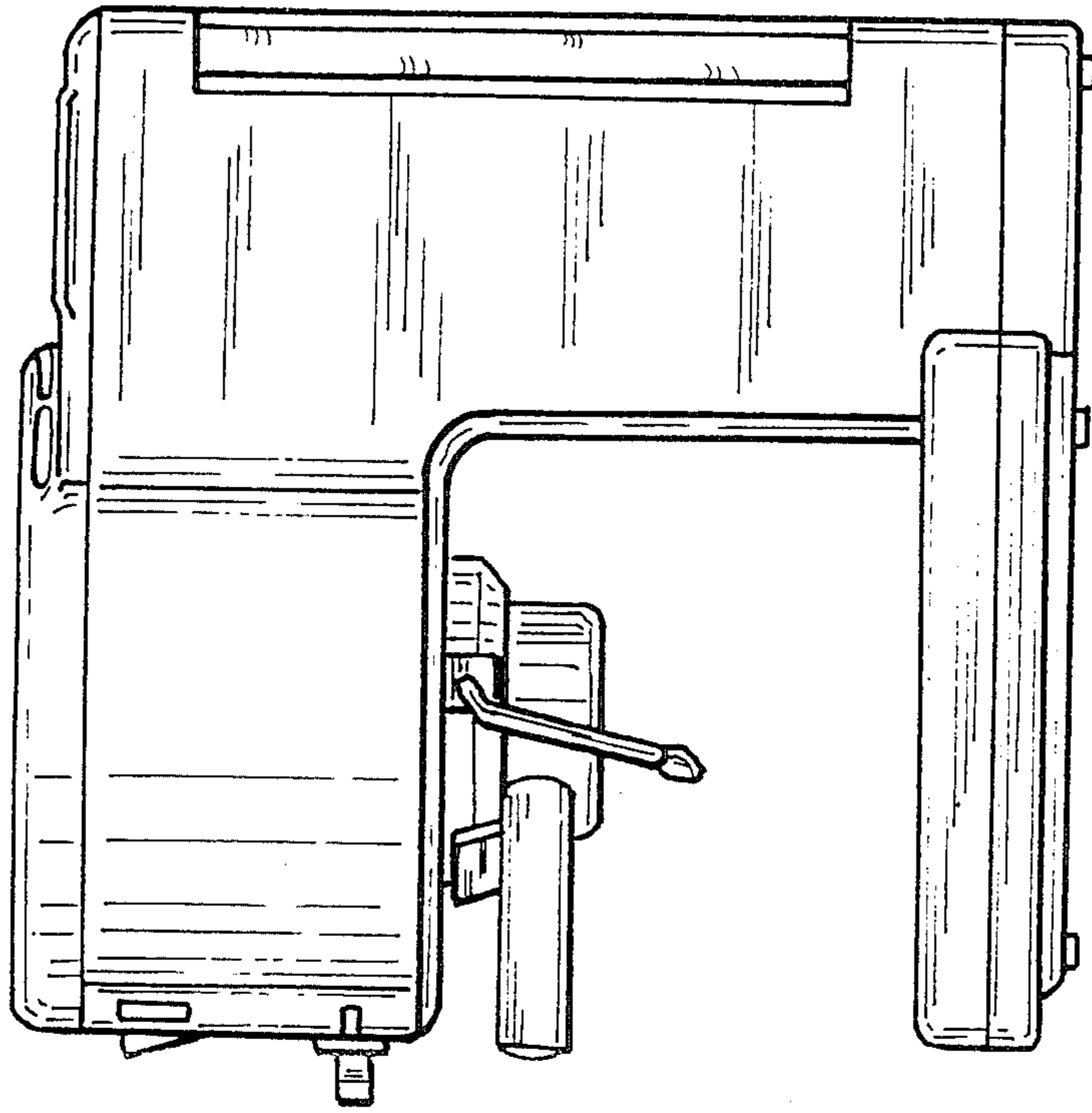


FIG. 10

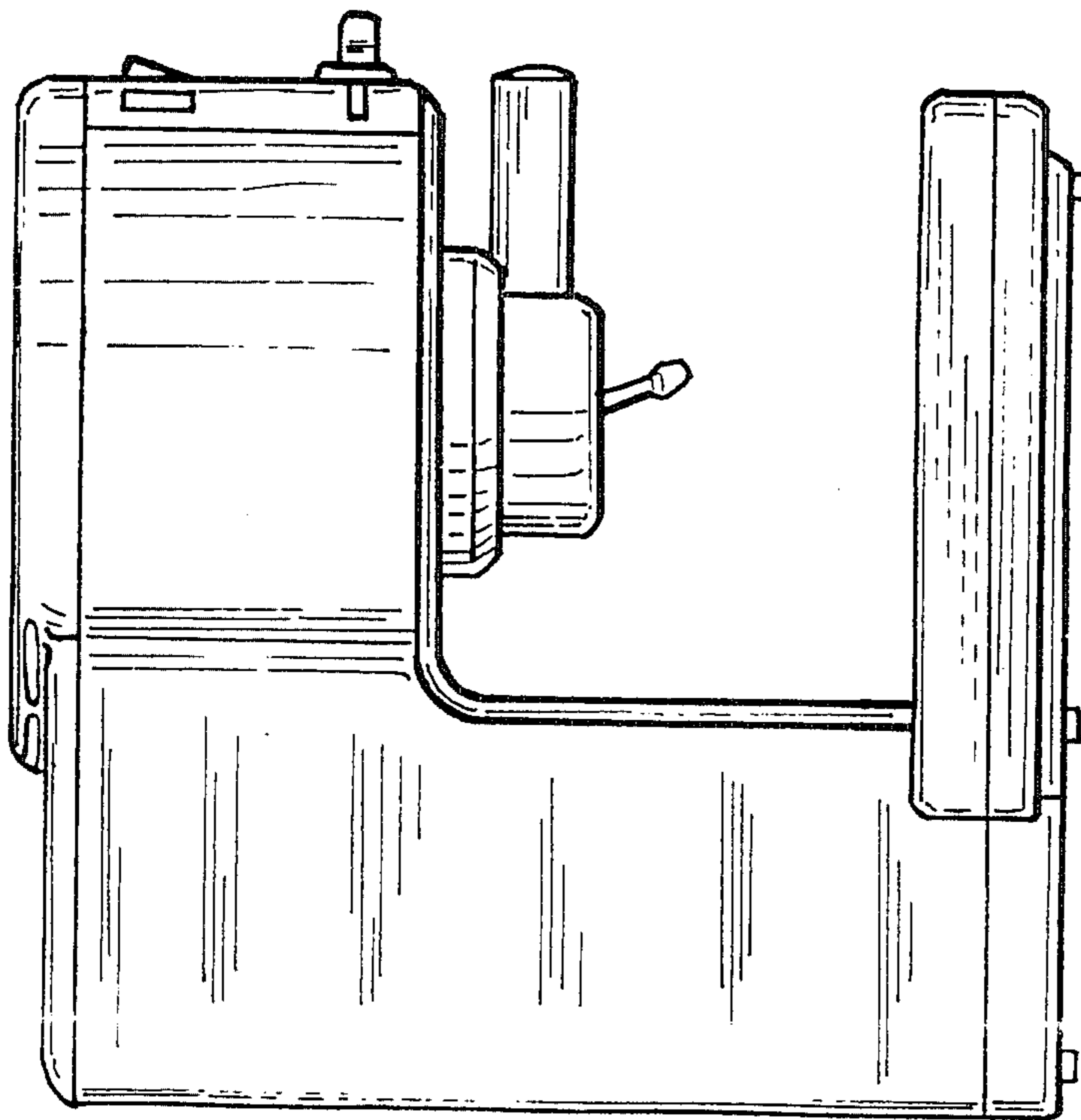


FIG. 5

FIG. 6

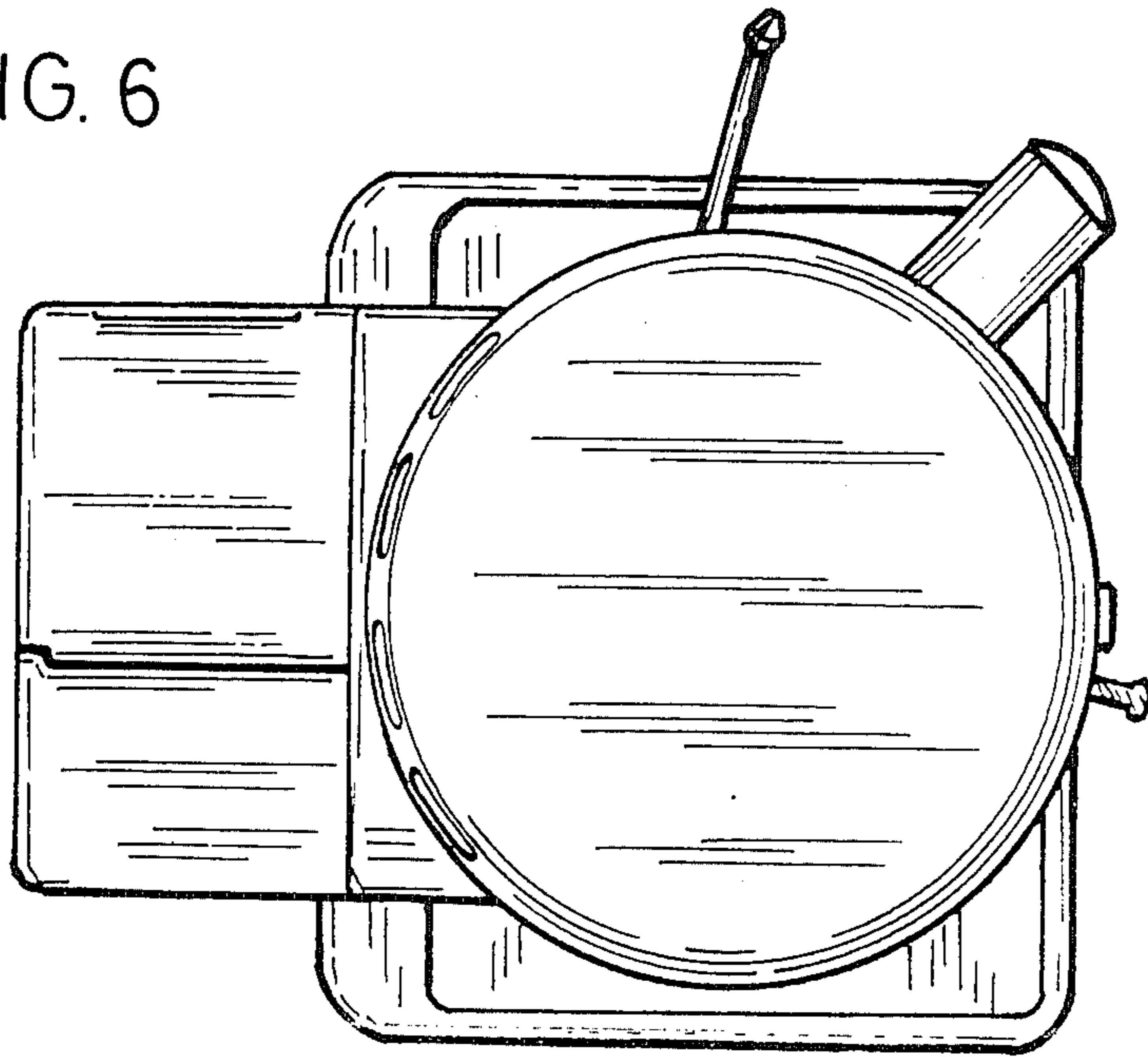
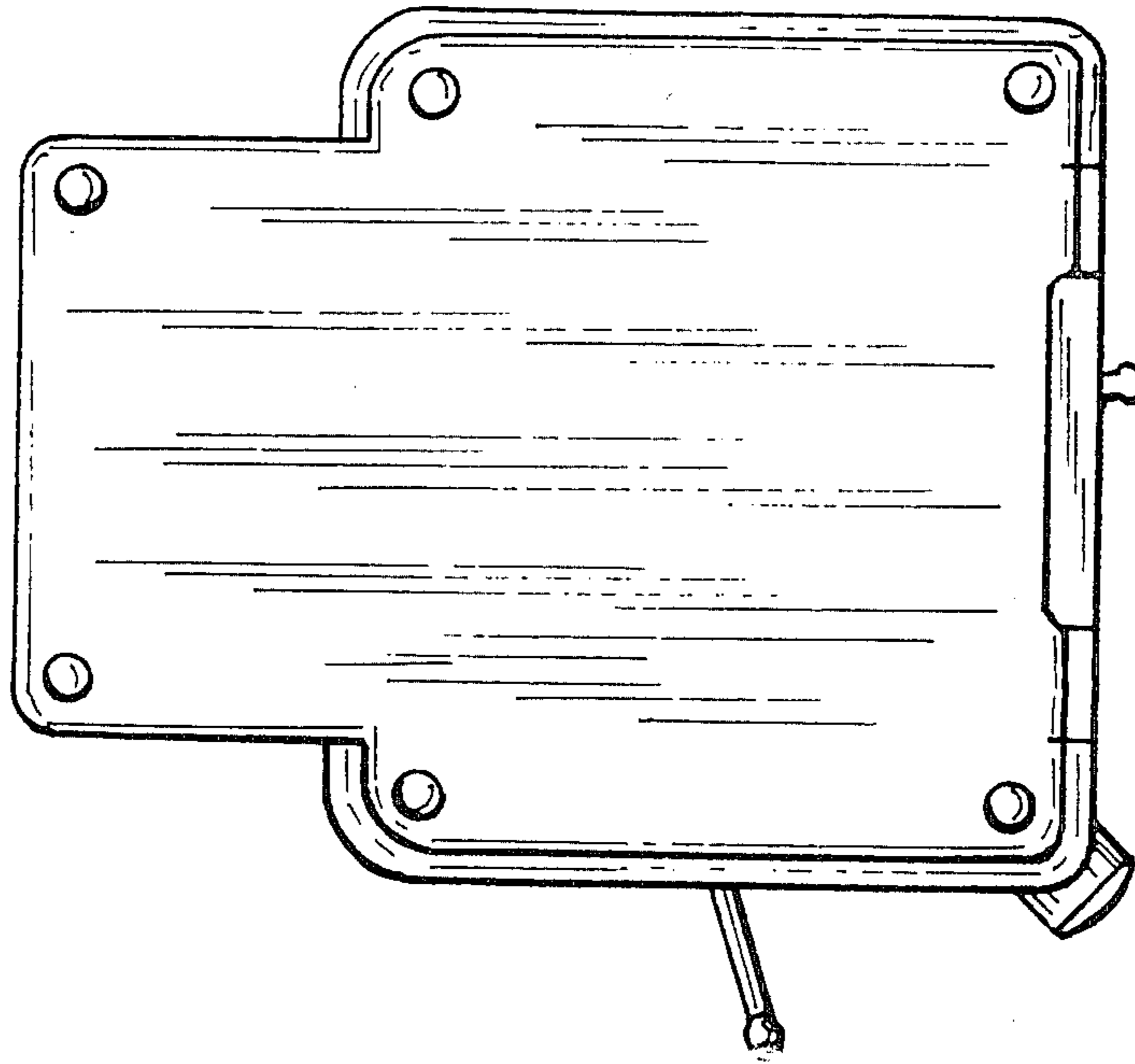


FIG. 7



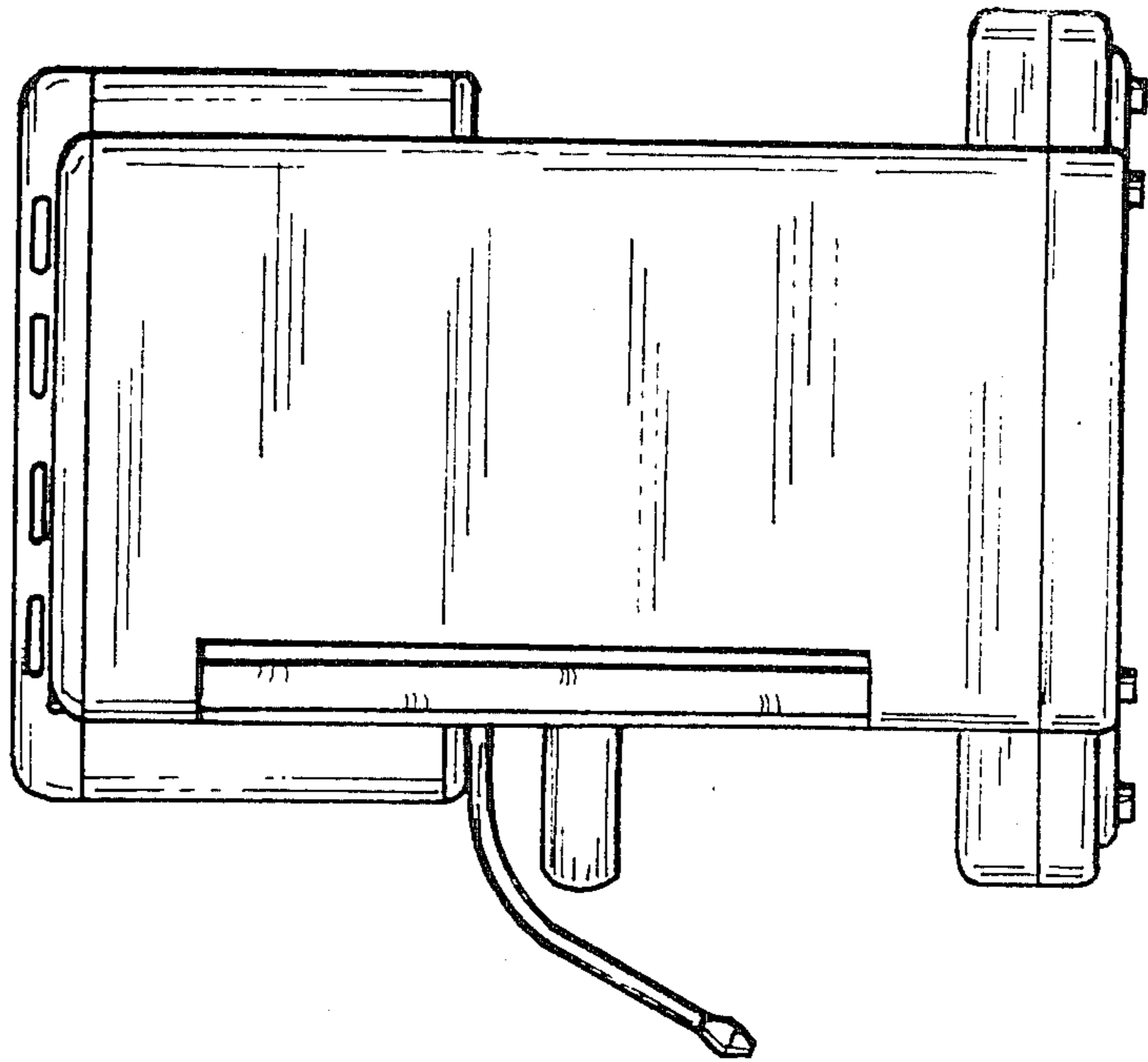


FIG. 9

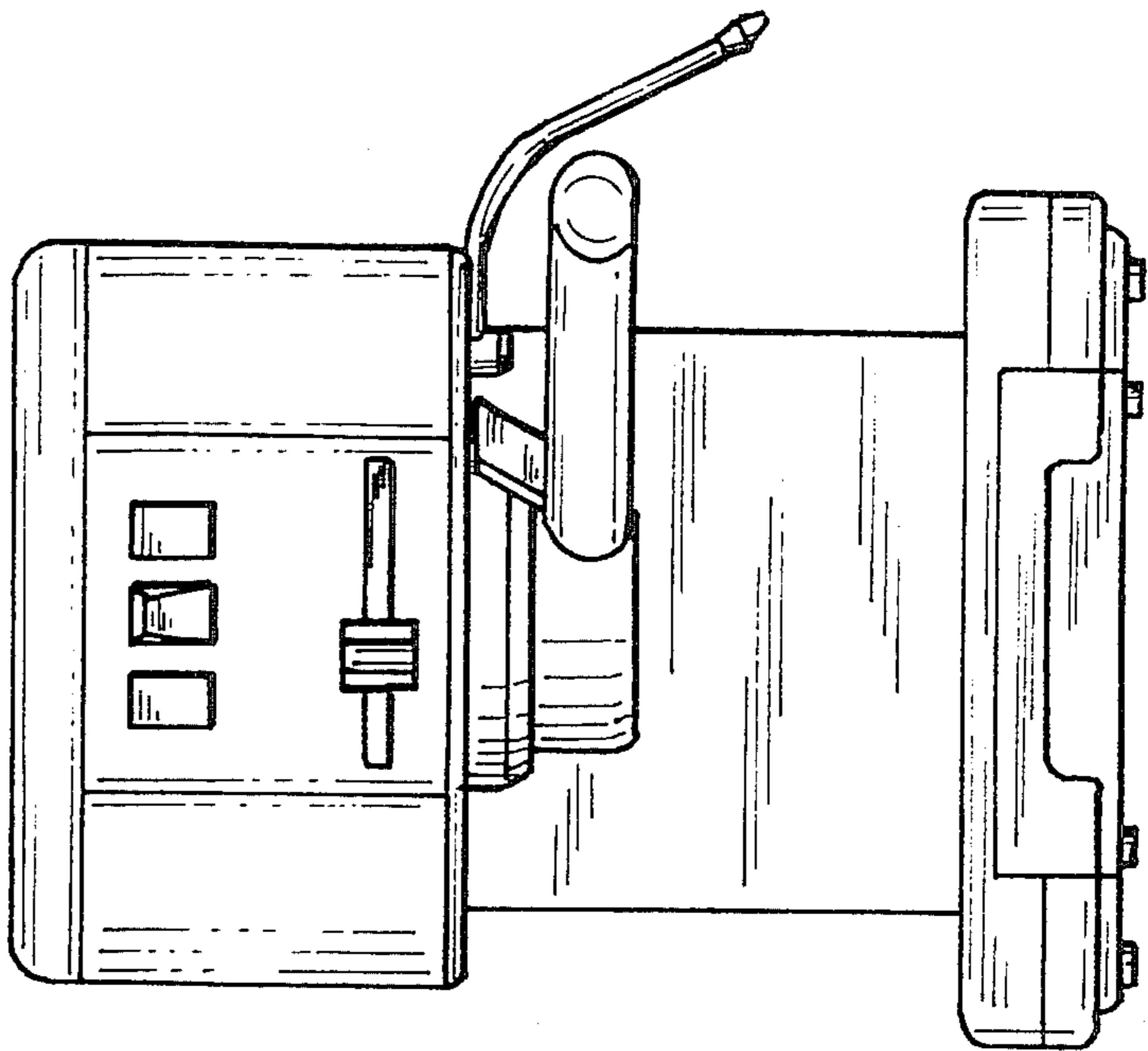


FIG. 8

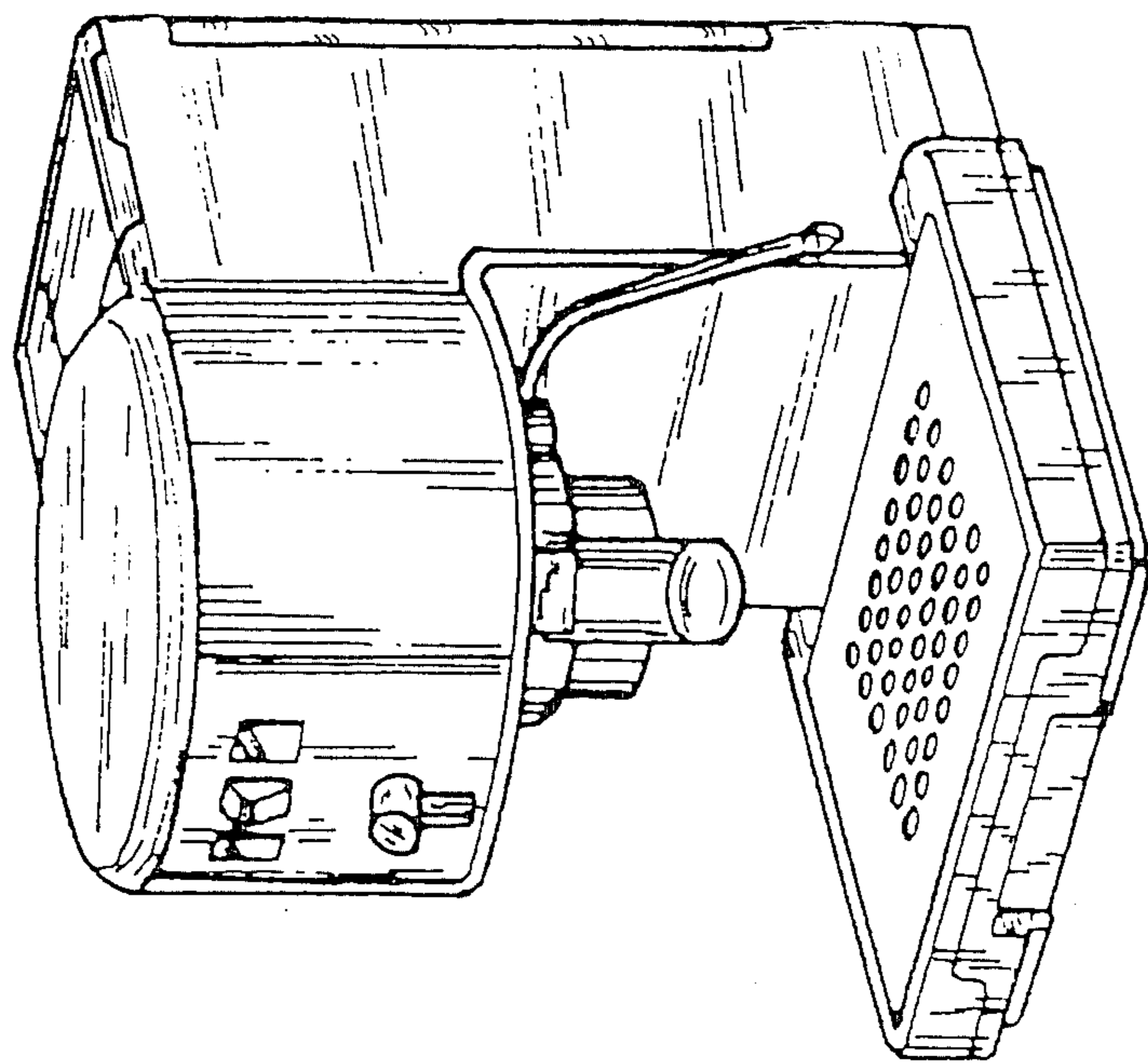


FIG. 12

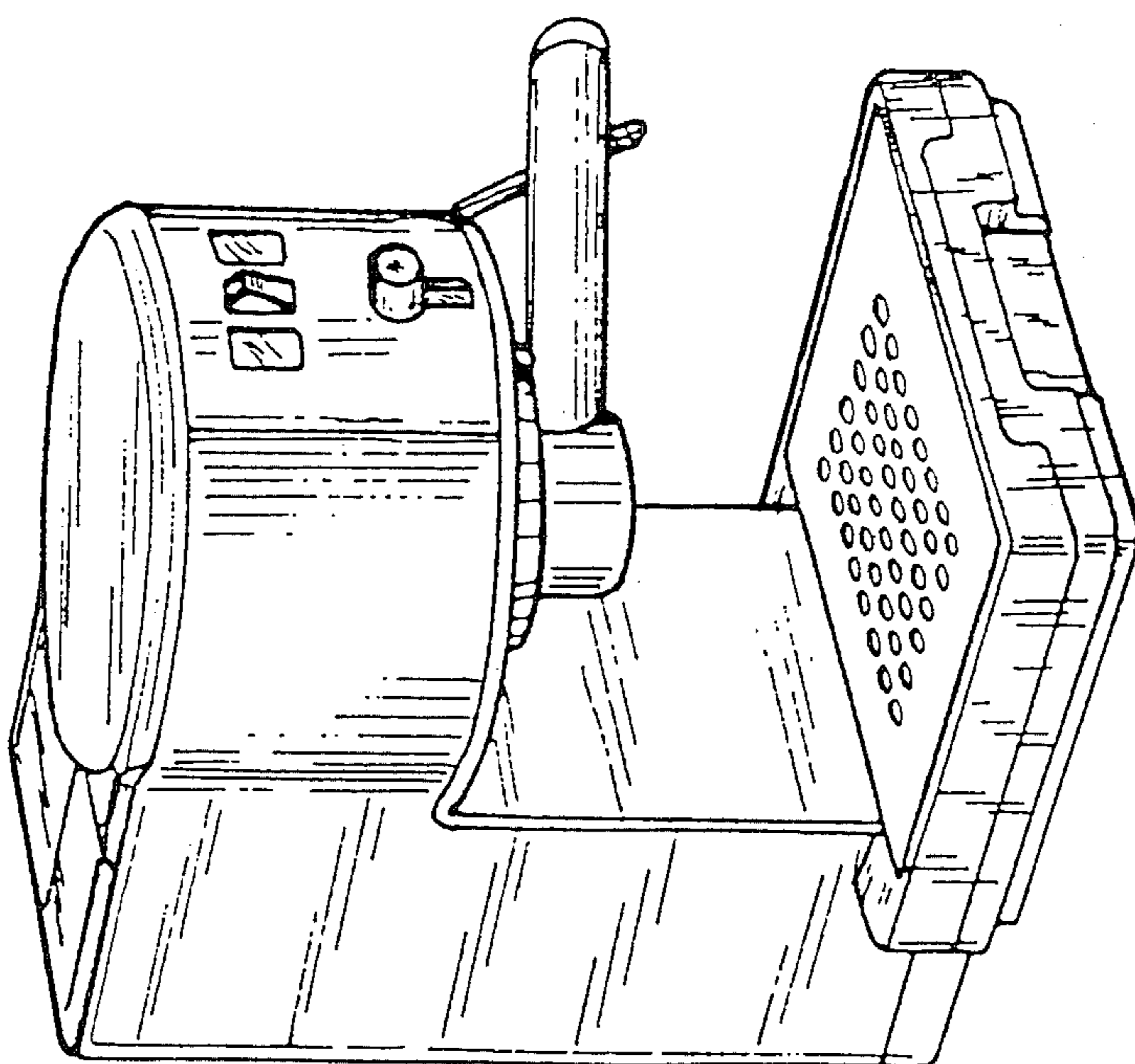


FIG. 11

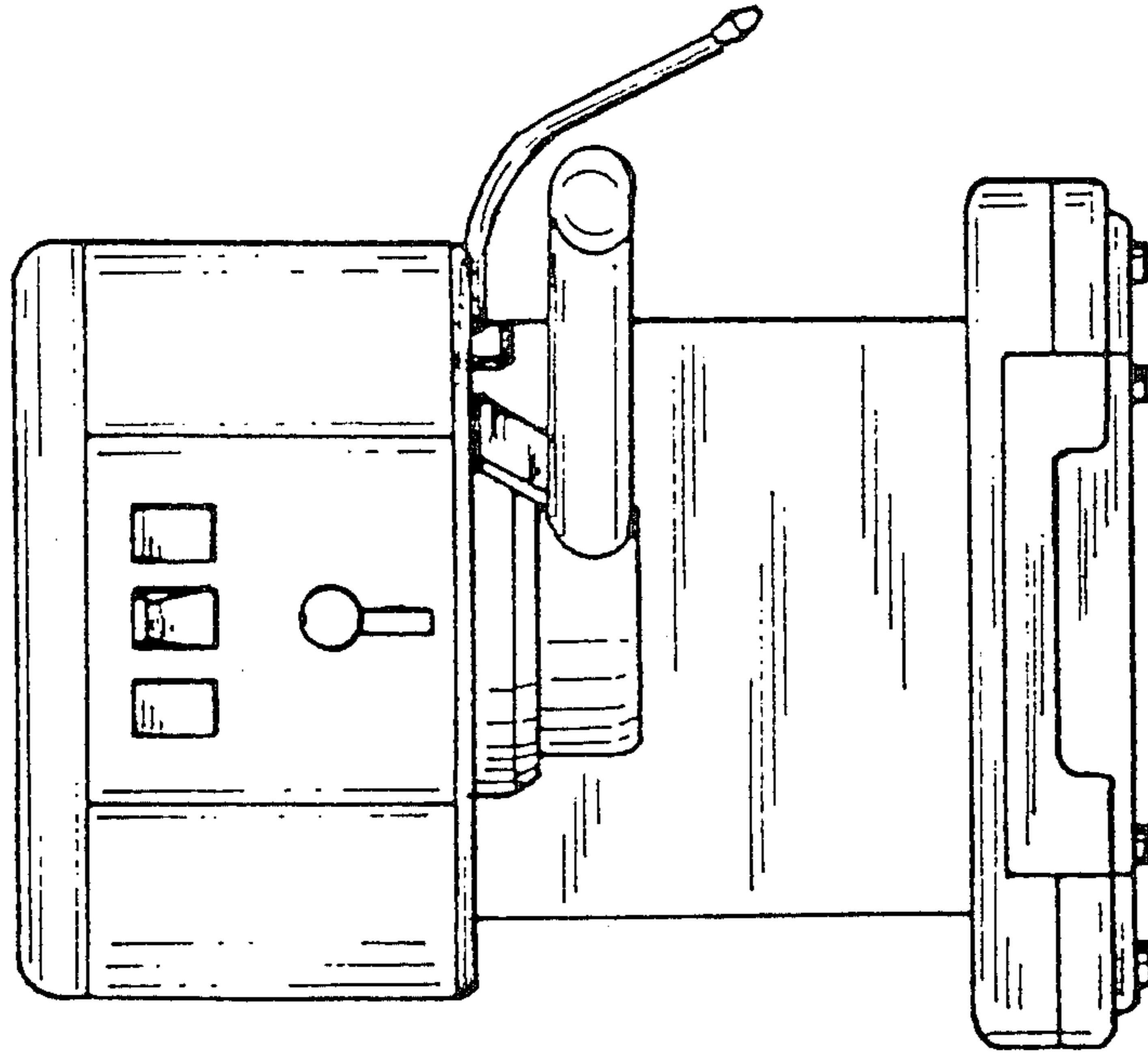


FIG. 13