

[54] **PLATE**

[75] **Inventor: Elsa Fischer-Treyden, Selb, Fed. Rep. of Germany**

[73] **Assignee: Rosenthal Aktiengesellschaft Rechtsabteilung, Fed. Rep. of Germany**

[**] **Term: 14 Years**

[21] **Appl. No.: 891,103**

[22] **Filed: Jul. 29, 1986**

[30] **Foreign Application Priority Data**

Feb. 4, 1986 [DE] Fed. Rep. of Germany 7622
[52] **U.S. Cl.** D7/23; D7/1
[58] **Field of Search** D7/1, 3, 23, 33-36, D7/30-32, 29

[56] **References Cited**

U.S. PATENT DOCUMENTS

D. 54,899 4/1920 Churchill D7/23
D. 256,756 9/1980 Painter et al. D7/29
D. 276,114 10/1984 Conti et al. D7/1

OTHER PUBLICATIONS

Giant Department Stores Gift & Jewelry Catalog, p. 132, Panel A/top, Veg. Bowl "Dover White".

Primary Examiner—Winifred E. Herrmann
Attorney, Agent, or Firm—Ostrolenk, Faber, Gerb & Soffen

[57] **CLAIM**

The ornamental design for a plate, as shown and described.

DESCRIPTION

FIG. 1 is a top view of a plate showing my new design; FIG. 2 is a side view thereof; FIG. 3 is a bottom view thereof; and FIG. 4 is a cross-sectional view along the line 4—4 and in the direction of arrows 4 in FIG. 1.

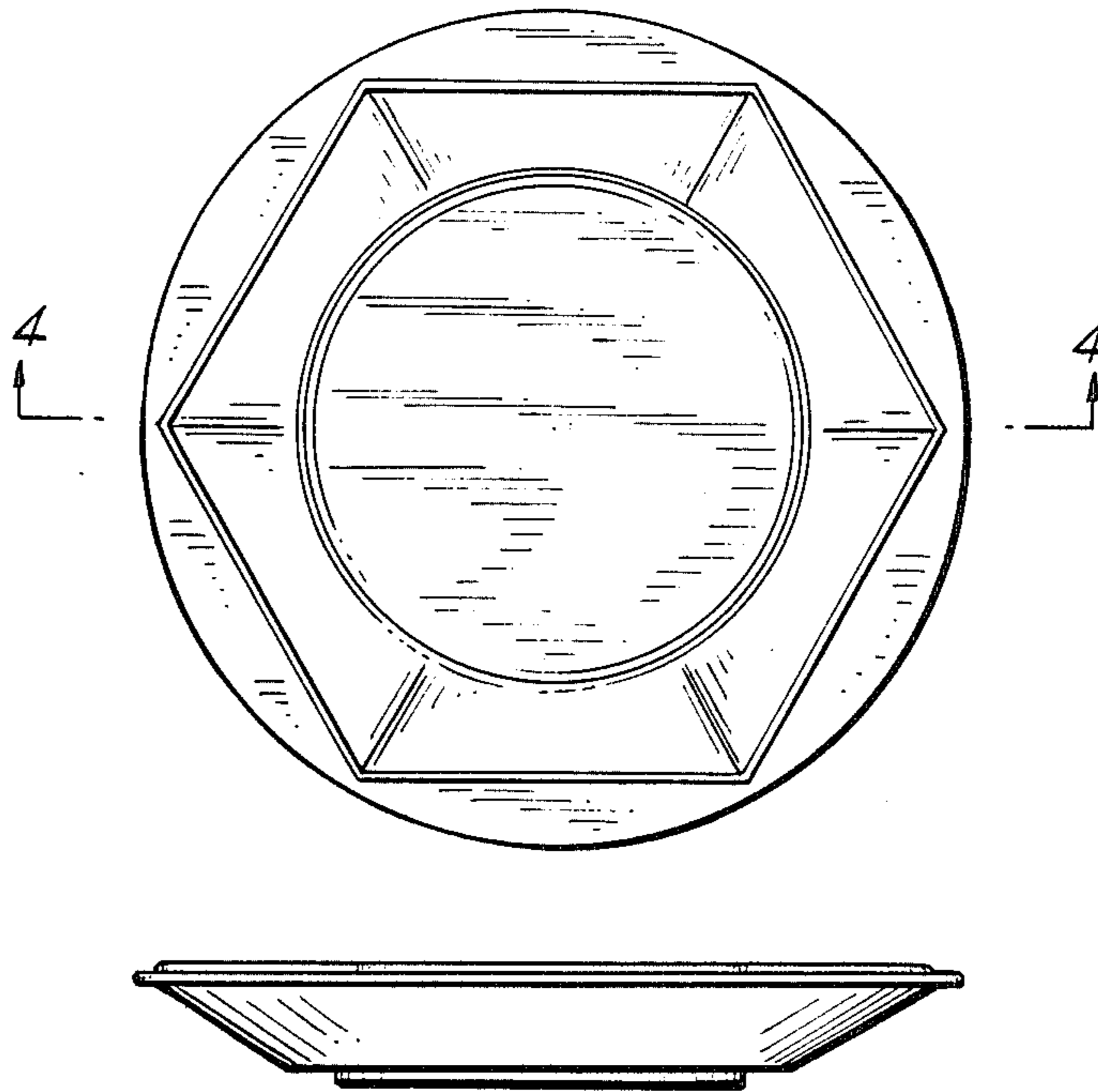


FIG. 1.

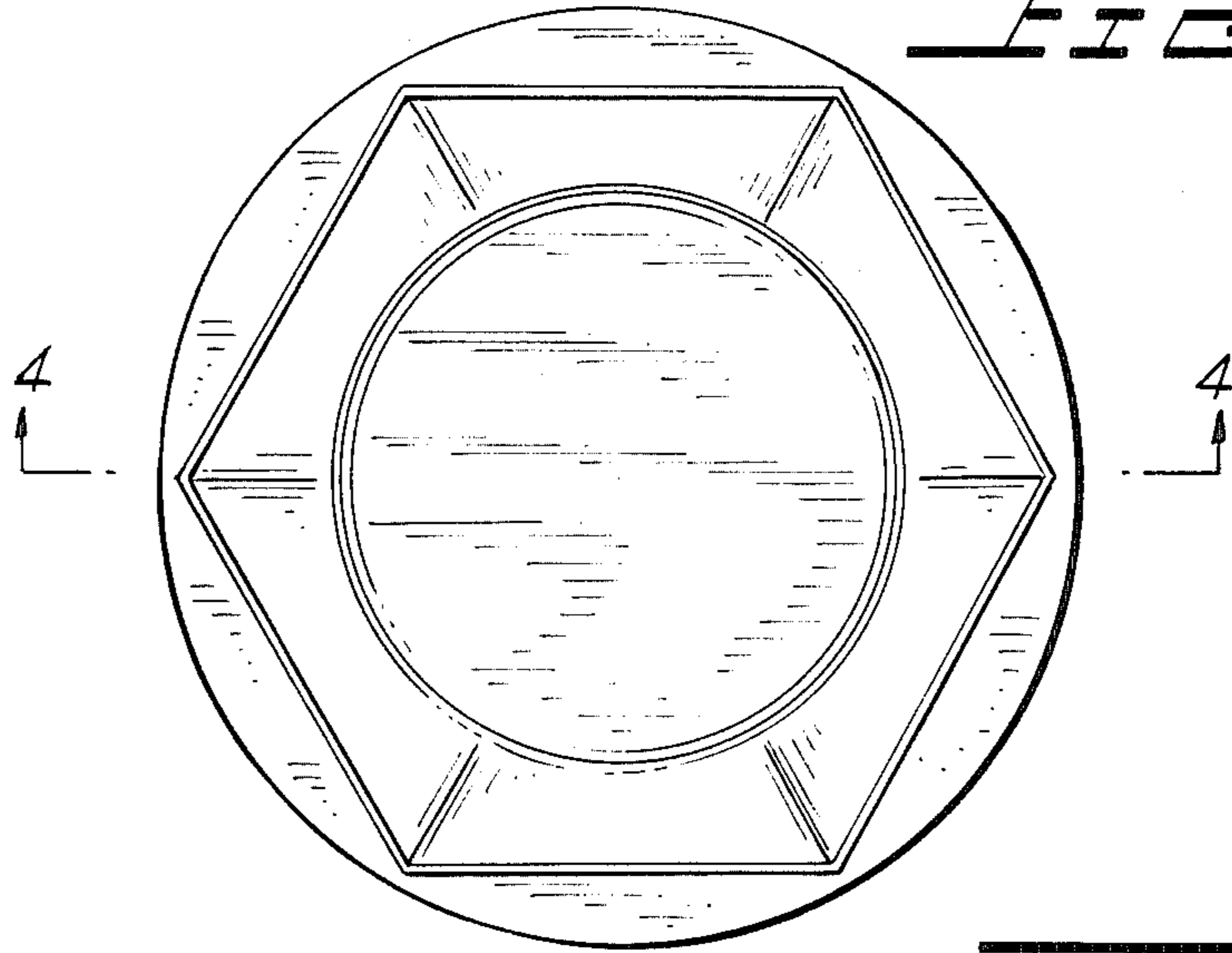


FIG. 2.

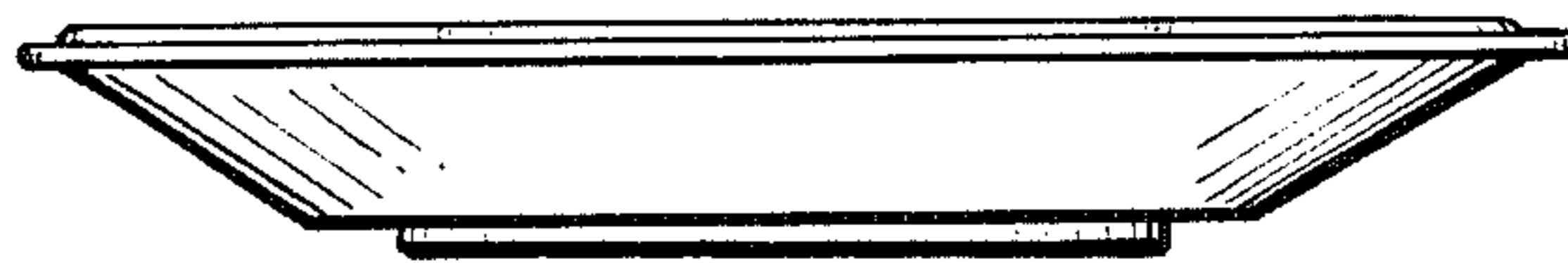


FIG. 3.

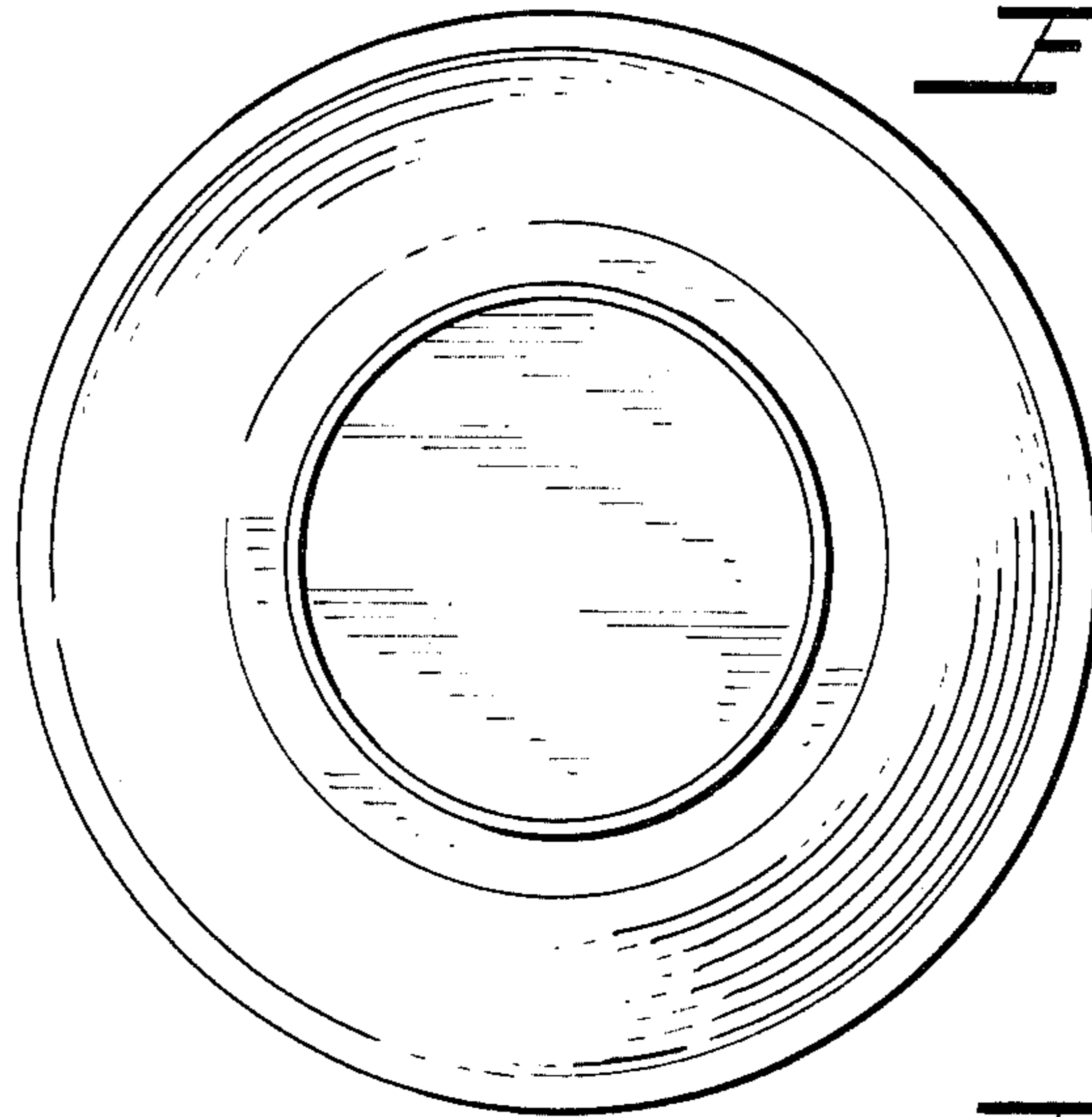


FIG. 4.

