

[54] TABLE ATTACHMENT FOR FOLDING CHAIR

[76] Inventor: Vilas D. Hershberger, R.R. 1, Hesston, Kans. 67062

[**] Term: 14 Years

[21] Appl. No.: 903,085

[22] Filed: Sep. 2, 1986

[52] U.S. Cl. D6/511; D6/338; D6/420

[58] Field of Search D6/335, 338, 406, 511, D6/420, 339, 480; 297/160, 161, 162, 239, 294; 248/447.1, 448

[56] References Cited

U.S. PATENT DOCUMENTS

D. 210,874	4/1968	Jordan et al.	D6/511
D. 261,577	11/1981	Heritage	D6/338
D. 266,719	11/1982	Hopkins	D6/511
D. 280,681	9/1985	Rowland	D6/338

D. 294,205	2/1988	Schmidgall	D6/406
4,159,846	7/1979	Tolleson	297/162
4,467,991	8/1984	Bailes	248/447.1

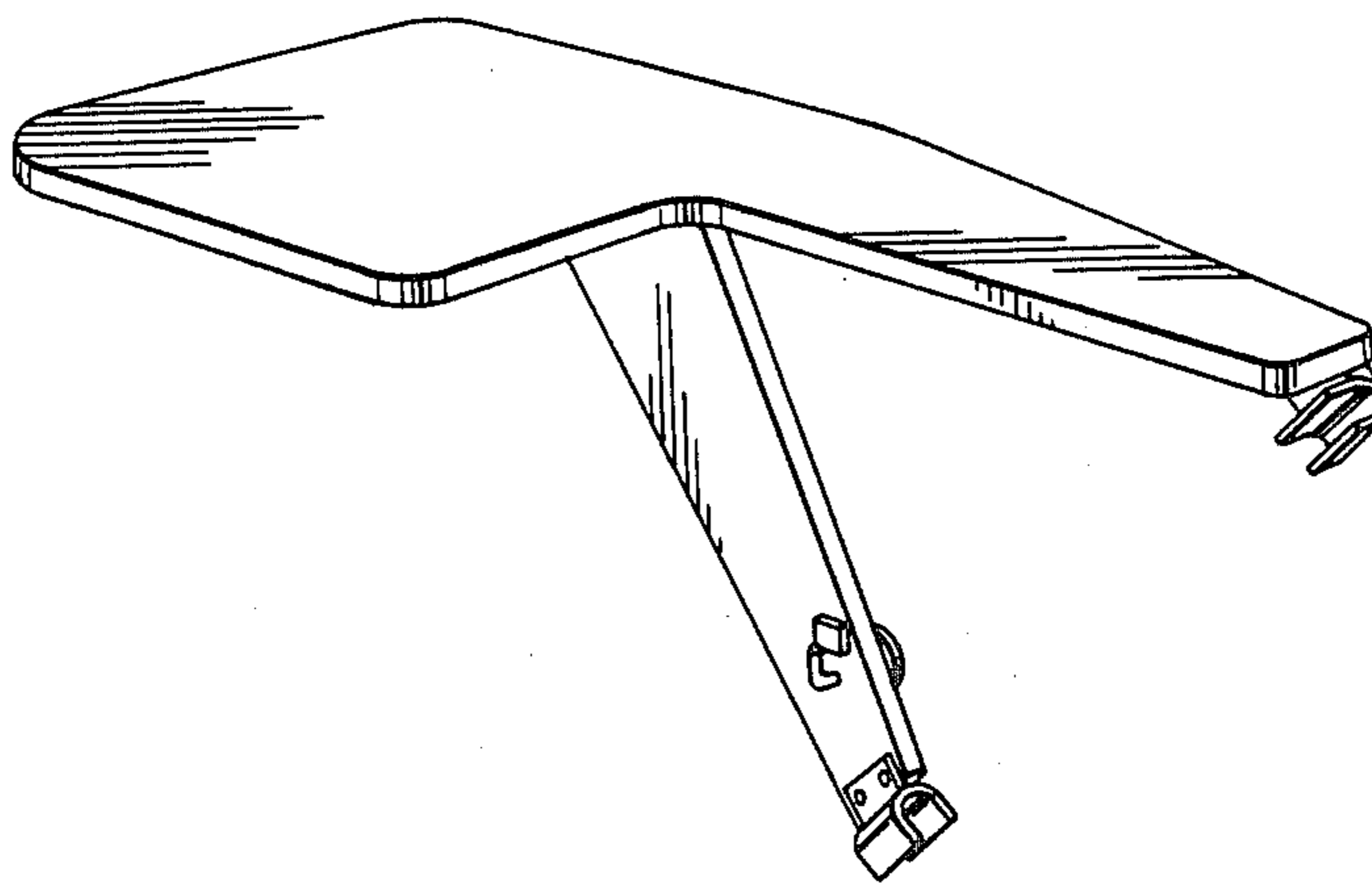
Primary Examiner—Bruce W. Dunkins
Attorney, Agent, or Firm—Kokjer, Kircher, Bradley, Wharton, Bowman & Johnson

[57] CLAIM

The ornamental design for a table attachment for folding chair, as shown and described.

DESCRIPTION

FIG. 1 is a top perspective view of a table attachment for folding chair embodying the my new design; FIG. 2 is a side elevational view, a chair being showing therein in broken lines for illustrative purposes only. FIG. 3 is an elevational view thereof showing the side opposite that shown in FIG. 2; FIG. 4 is a top plan view thereof; FIG. 5 is a bottom plan view thereof; FIG. 6 is a front elevational view thereof; and FIG. 7 is a rear elevational view thereof.



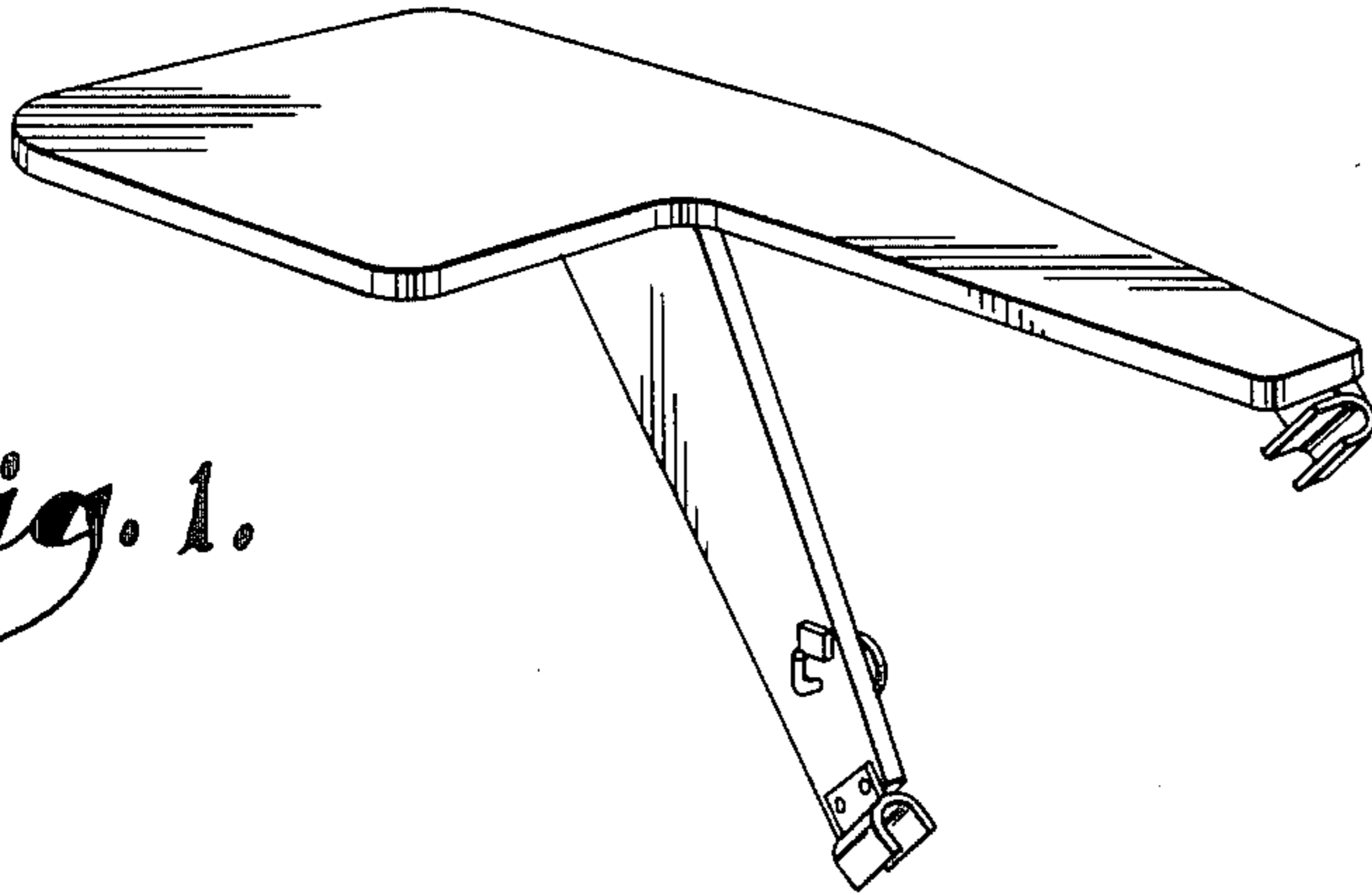


Fig. 1.

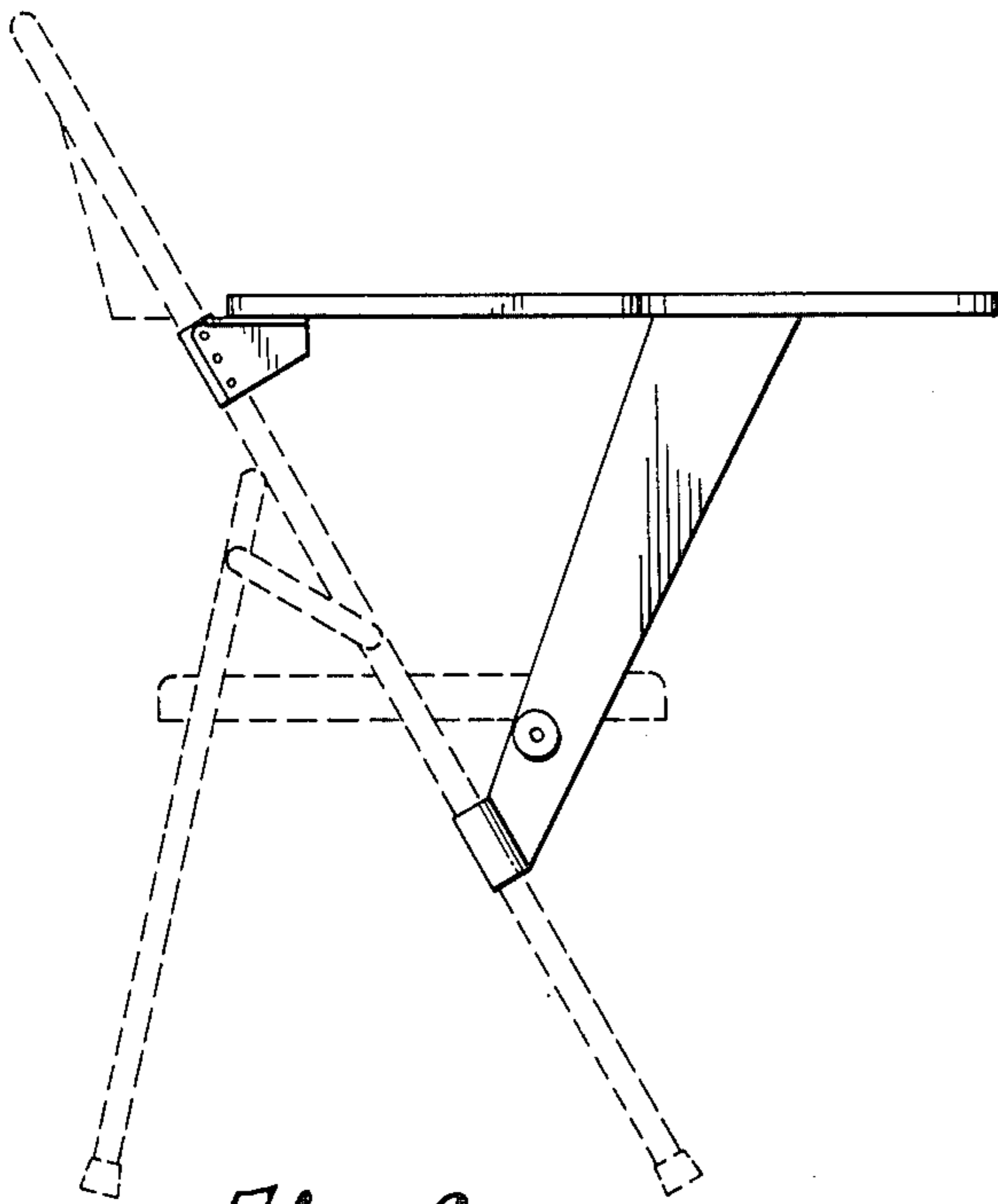


Fig. 2.

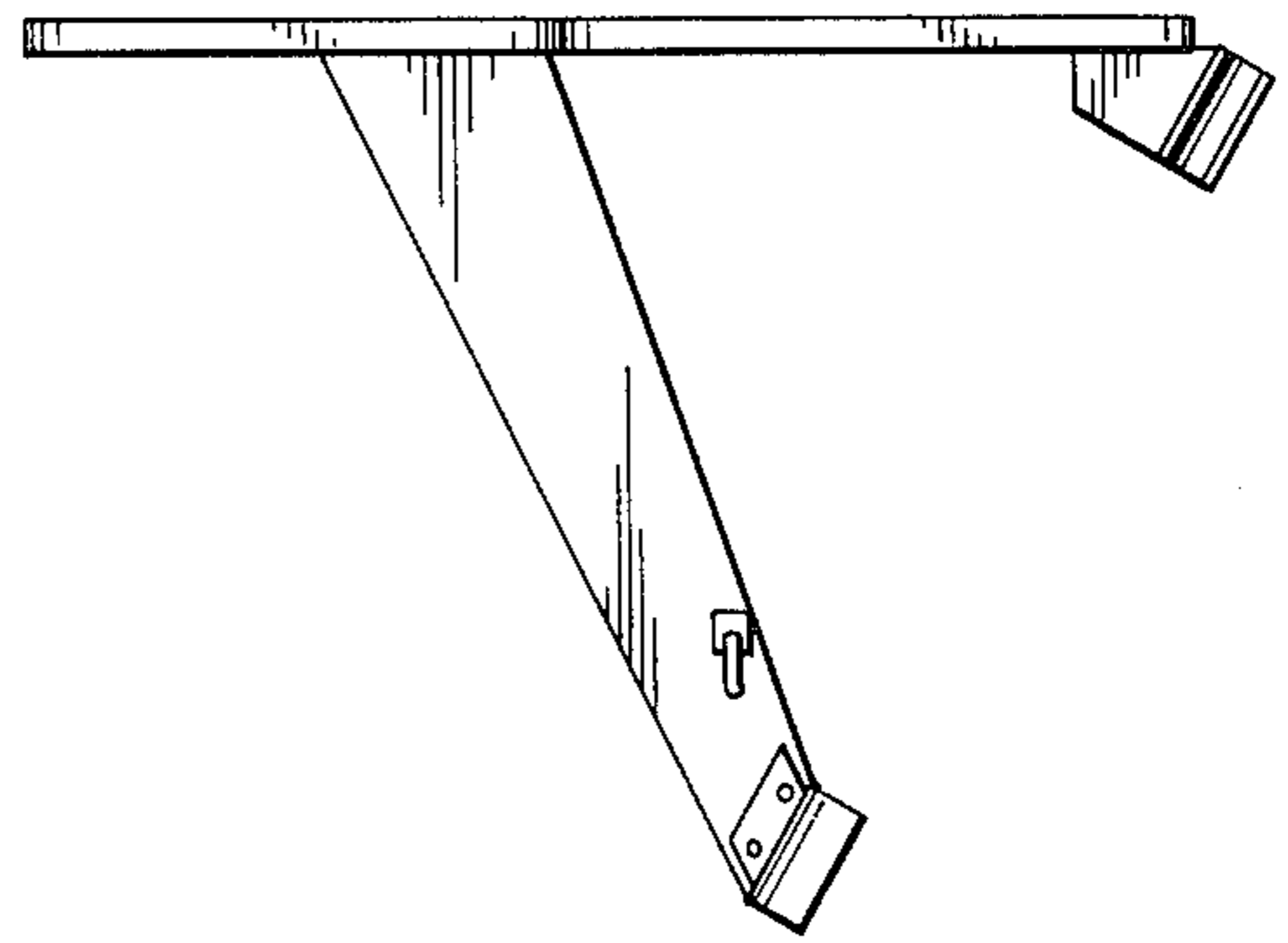


Fig. 3.

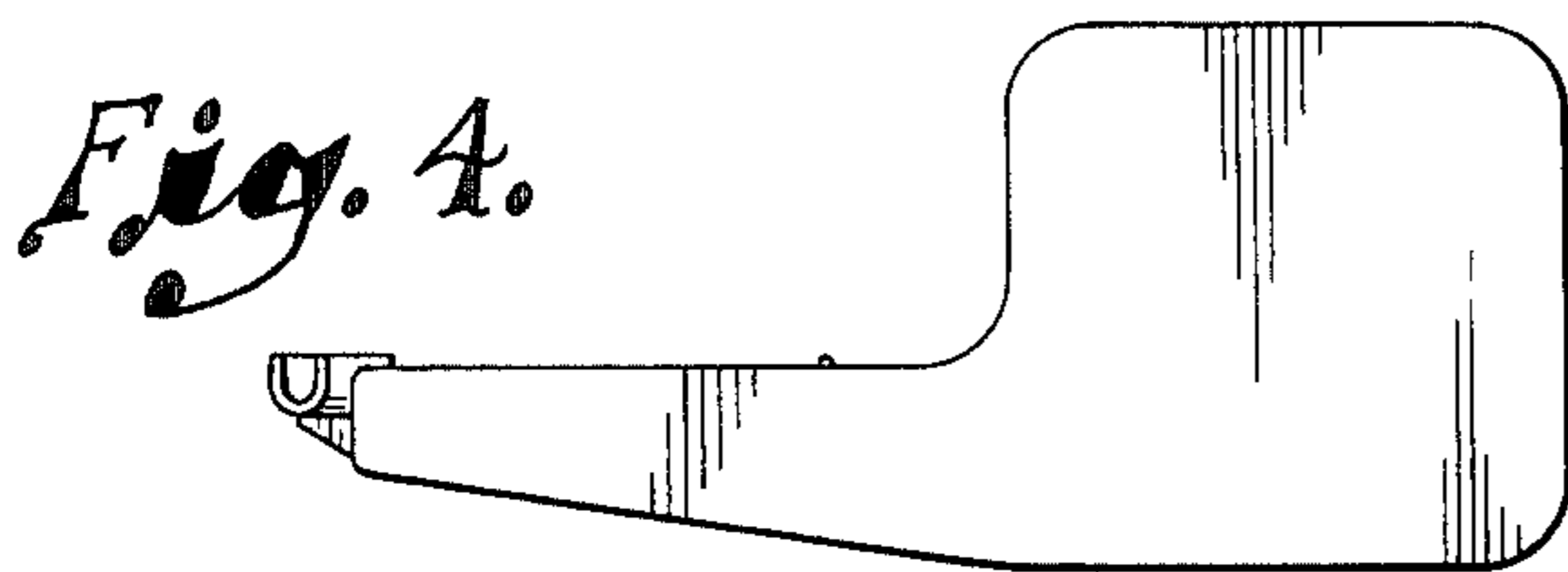


Fig. 4.

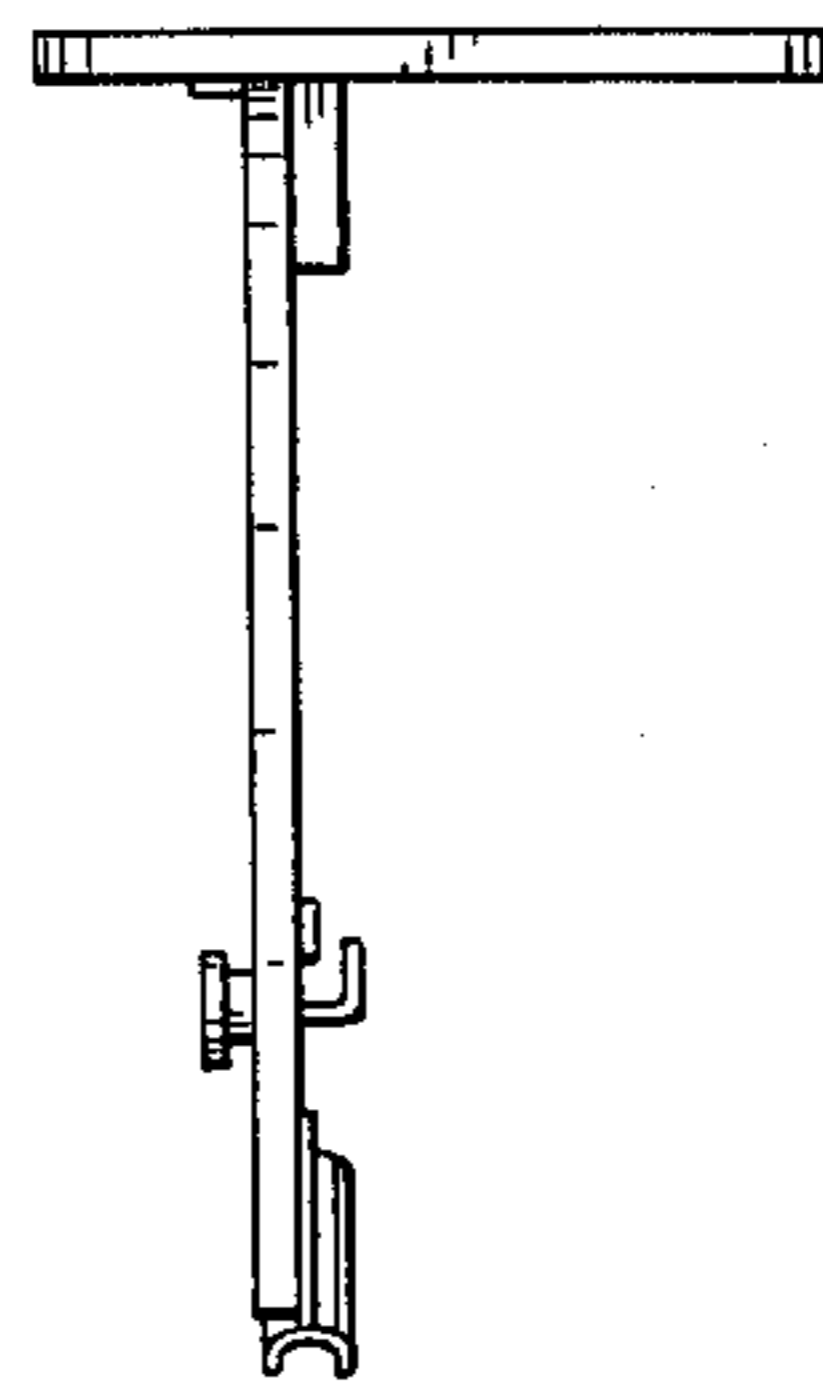


Fig. 6.

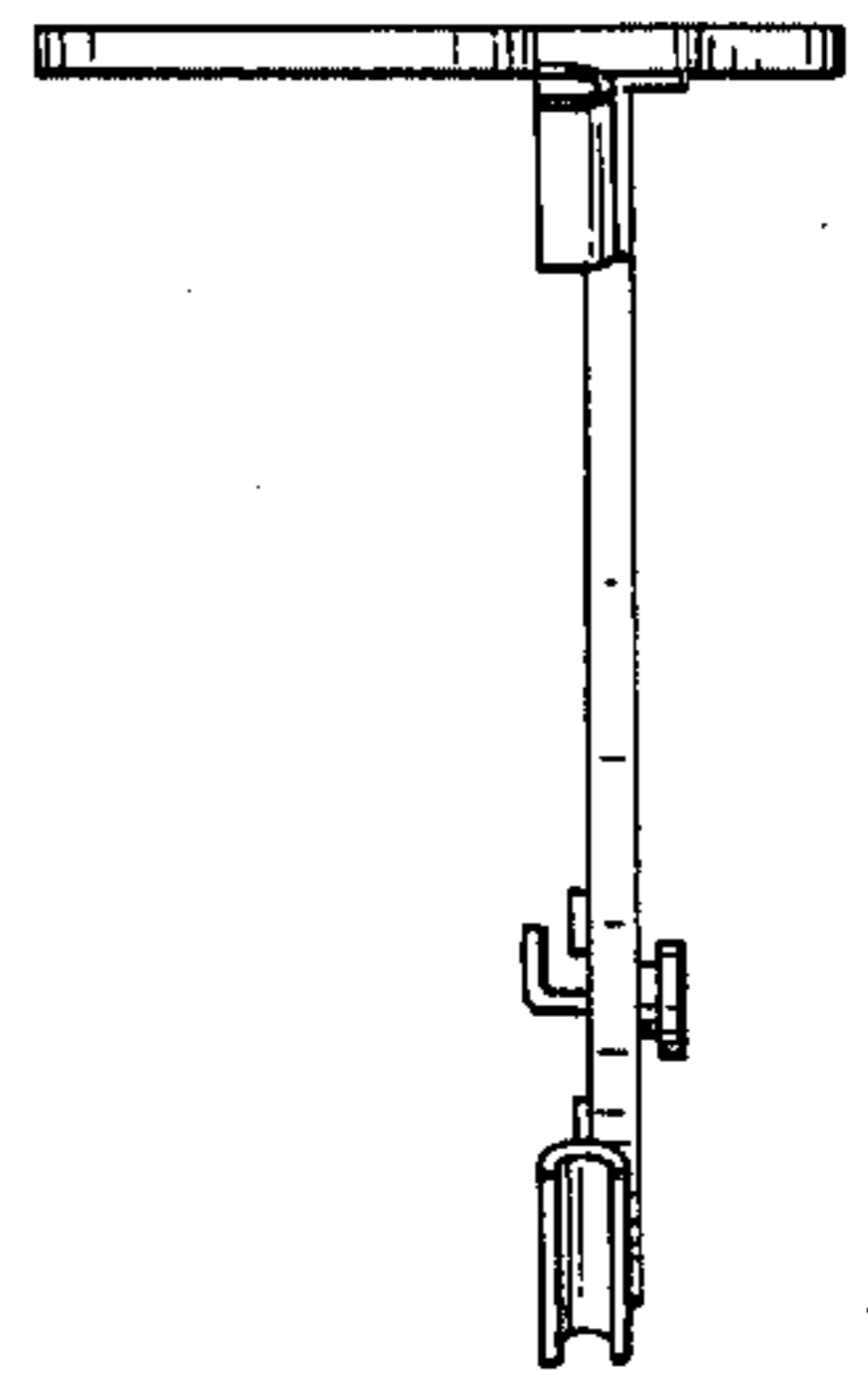


Fig. 7.

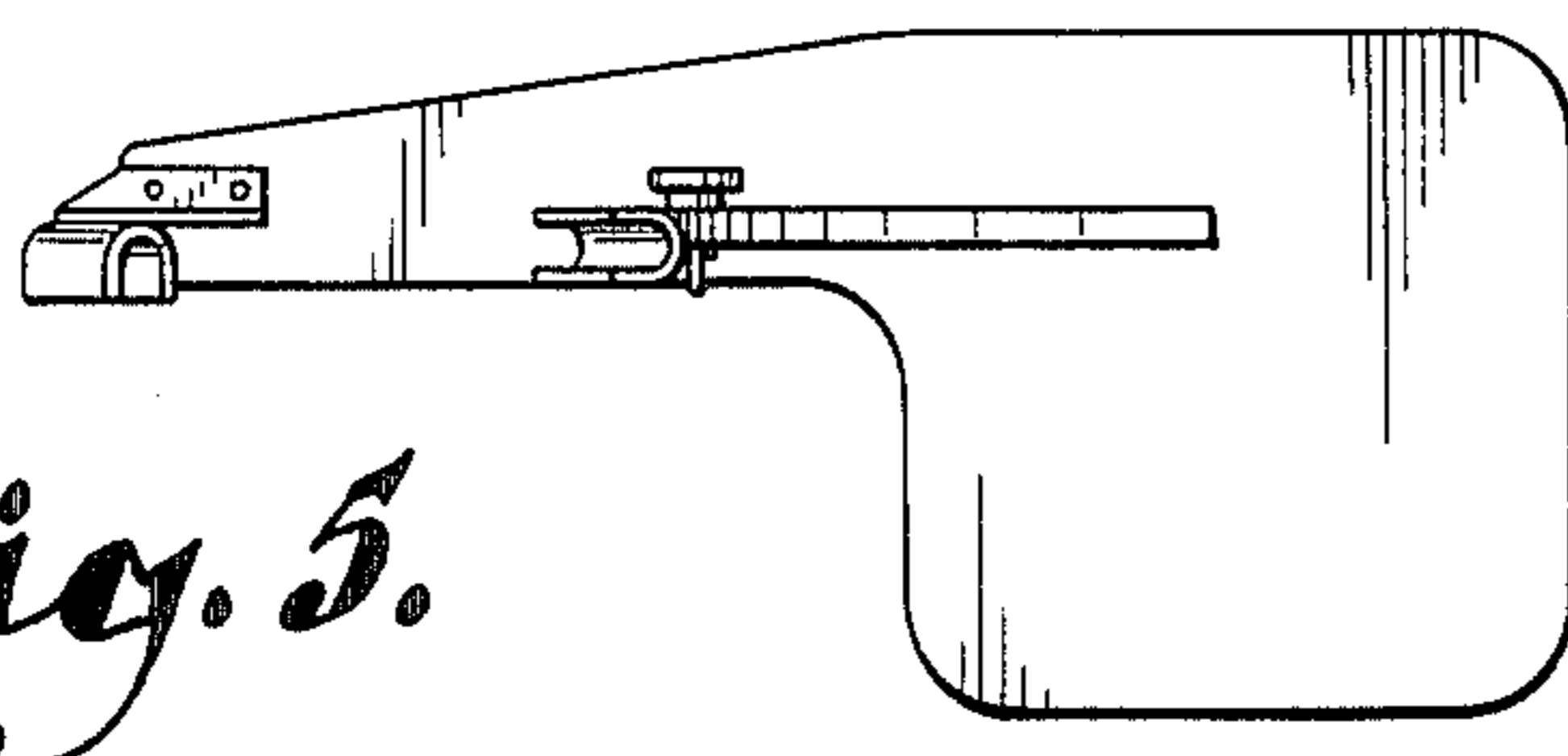


Fig. 5.