

[54] DIVIDER PANEL FOR AN OPERATOR WORKSTATION OR THE LIKE

[75] Inventor: Edmond J. Helstab, Ottawa, Canada

[73] Assignee: Northern Telecom Limited, Montreal, Canada

[**] Term: 14 Years

[21] Appl. No.: 862,427

[22] Filed: May 8, 1986

[52] U.S. Cl. D6/332; D6/494

[58] Field of Search D6/494, 492, 421, 332; 160/135, 351

[56] References Cited

U.S. PATENT DOCUMENTS

- D. 227,330 6/1973 Robinson D6/492 X
- D. 228,214 8/1973 Michiels D6/421
- D. 257,601 12/1980 Cyplik D6/332

- D. 257,604 12/1980 Cyplik D6/332
- D. 296,619 7/1988 Charman D6/332
- 3,418,765 12/1968 Propst et al. D6/332
- 4,232,183 11/1980 Person 160/135 X

Primary Examiner—Carmen H. Vales
Attorney, Agent, or Firm—Robert C. Hogeboom

[57] CLAIM

The ornamental design for a divider panel for an operator workstation or the like, as shown and described.

DESCRIPTION

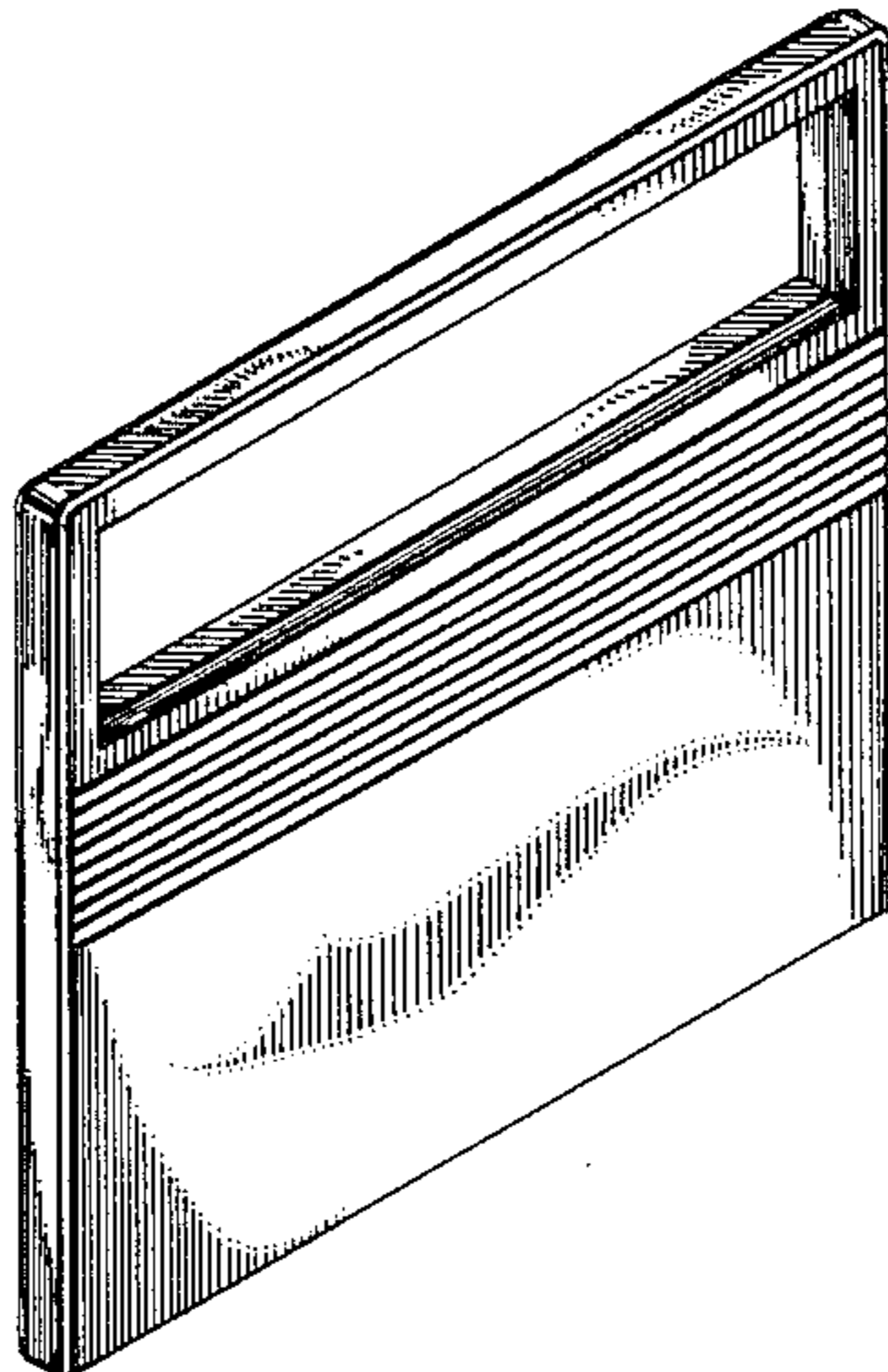
FIG. 1 is a perspective view of a divider panel for an operator workstation or the like showing my new design;

FIG. 2 is a top plan view thereof;

FIG. 3 is a bottom plan view thereof;

FIG. 4 is a front elevational view, the rear view being identical thereto; and

FIG. 5 is a left side elevational view, the right side being identical thereto.



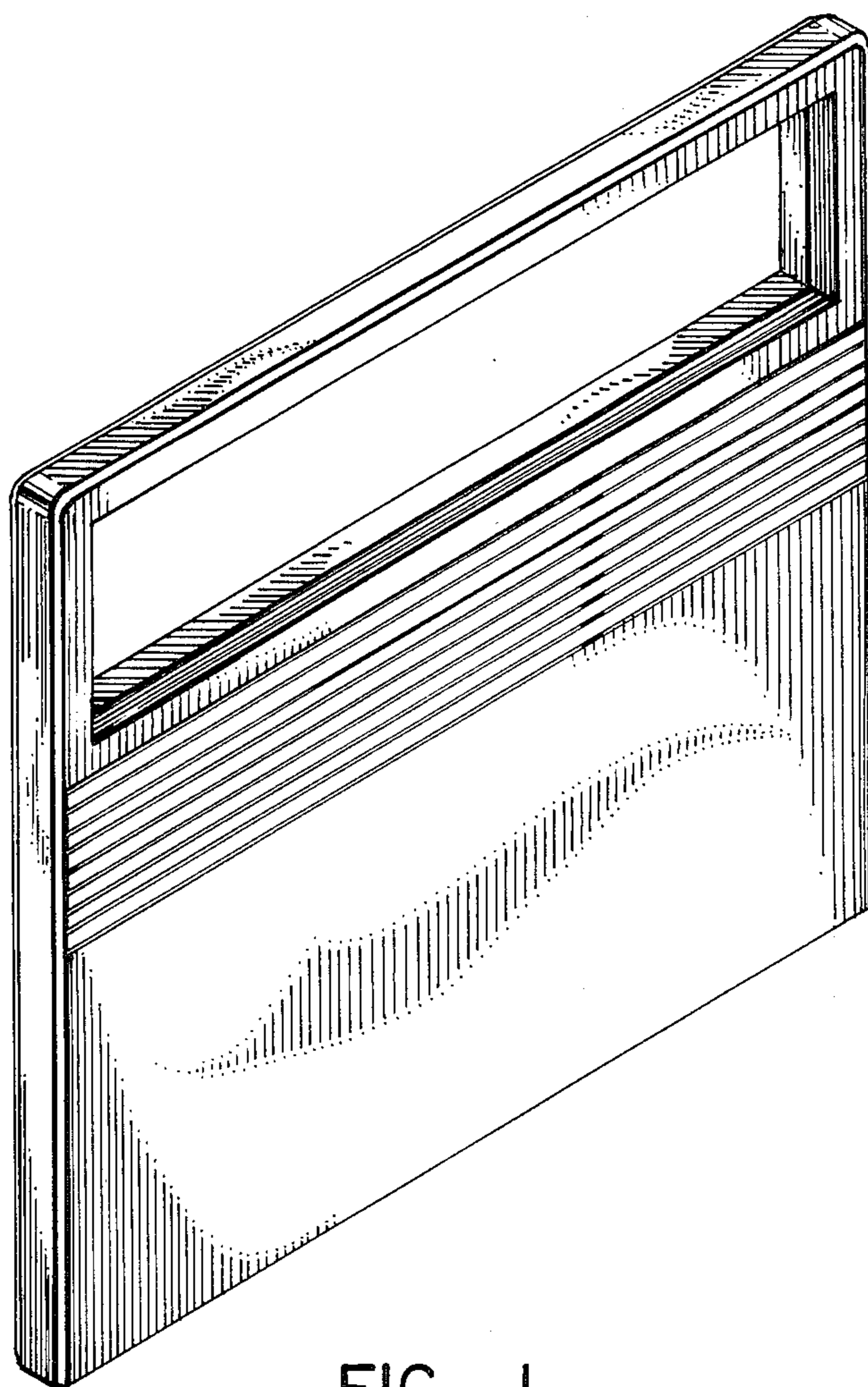


FIG. 1



FIG. 2

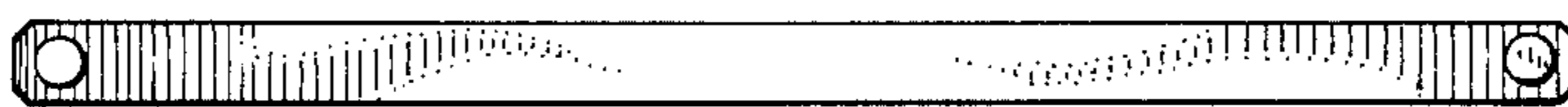


FIG. 3

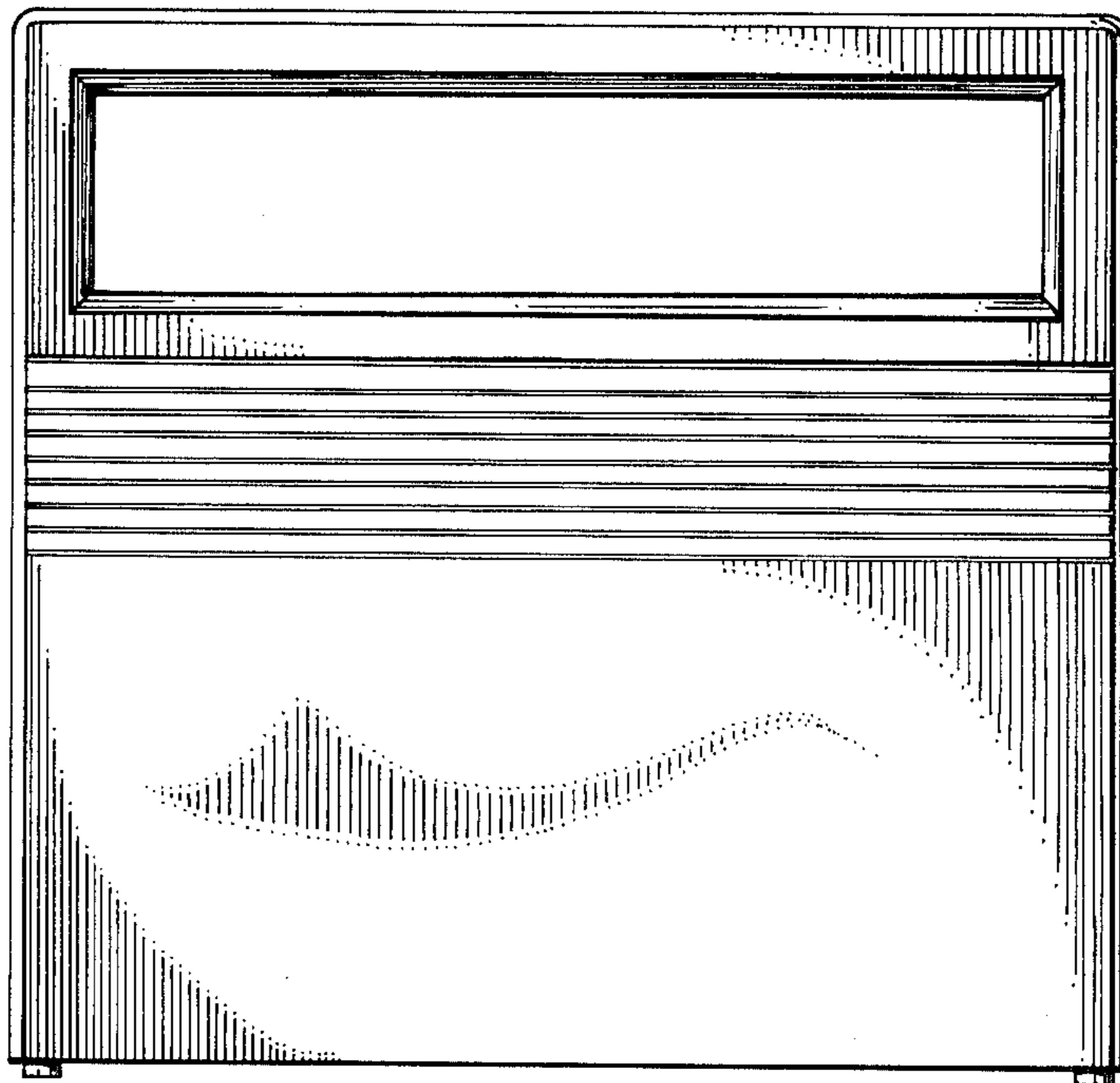


FIG. 4



FIG. 5