

[54] **HOT AIR BRUSH**

[75] **Inventor: Marten F. Elkerbout, Drachten, Netherlands**

[73] **Assignee: U.S. Philips Corporation, New York, N.Y.**

[\*\*] **Term: 14 Years**

[21] **Appl. No.: 18,122**

[22] **Filed: Feb. 24, 1987**

[30] **Foreign Application Priority Data**

Sep. 1, 1986 [GB] United Kingdom ..... 1036429  
[52] **U.S. Cl. .... D28/13; D4/116**  
[58] **Field of Search .... D28/9-18, D28/24-26, 29; 219/222; 34/96-101; 132/7, 9, 11 R; D4/116, 130, 133, 134; 15/160**

[56] **References Cited**

**U.S. PATENT DOCUMENTS**

D. 138,044 6/1944 Preble, Jr. .... D28/13  
D. 252,472 7/1979 Wistrand ..... D28/13  
D. 270,381 8/1983 Muller et al. .... D28/13  
3,057,364 10/1962 Freedman et al. .... D28/13  
4,292,986 10/1981 Ergaver et al. .... D28/29

*Primary Examiner*—Louis S. Zarfaz

[57] **CLAIM**

The ornamental design for a hot air brush, as shown.

**DESCRIPTION**

FIG. 1 is a top right rear perspective view of a hot air brush showing my new design;  
FIG. 2 is a top plan view thereof;  
FIG. 3 is a bottom plan view thereof;  
FIG. 4 is a right side elevational view thereof;  
FIG. 5 is a left side elevational view thereof;  
FIG. 6 is a rear elevational view thereof;  
FIG. 7 is a front elevational view thereof.

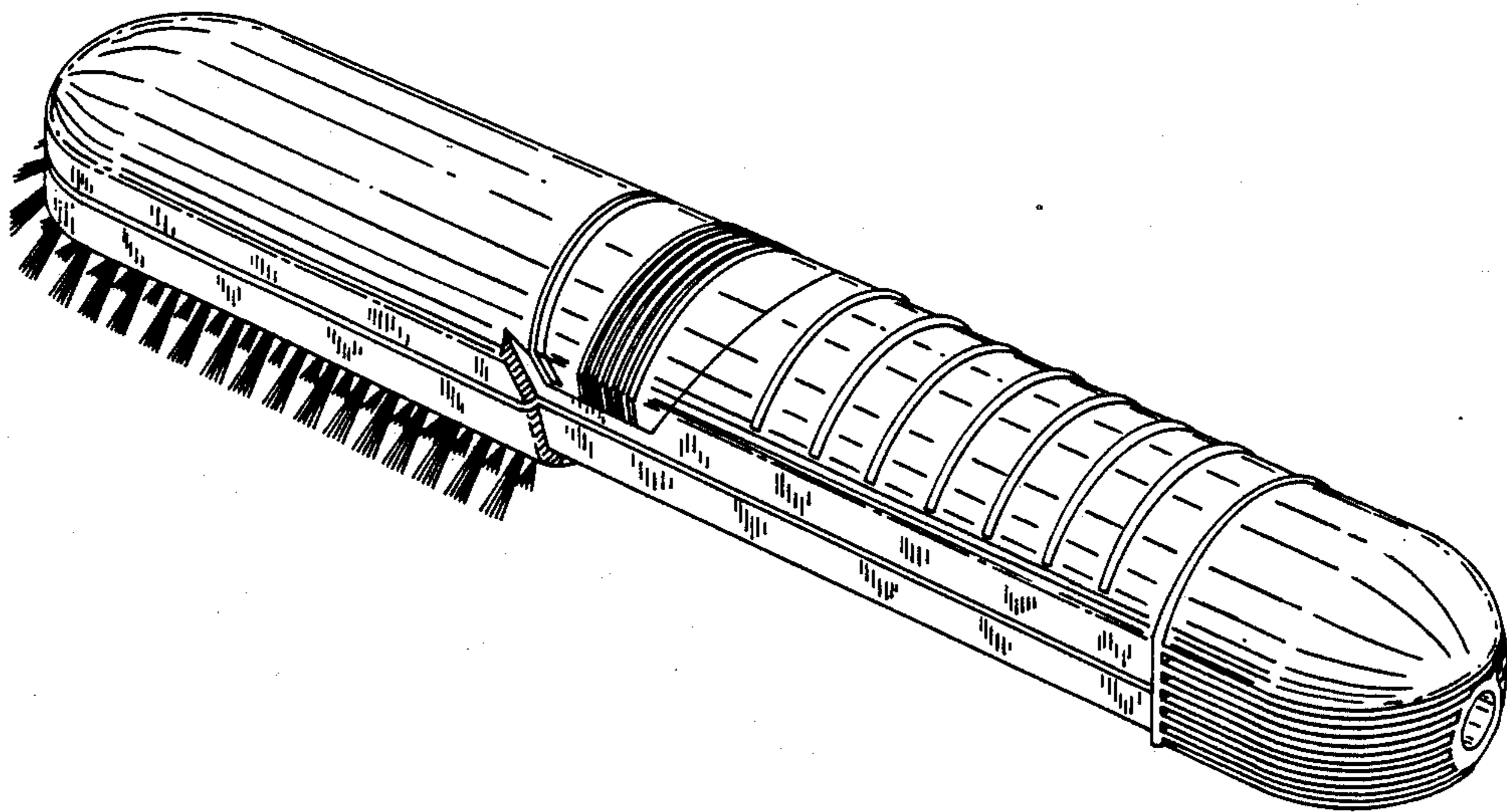


FIG. 1

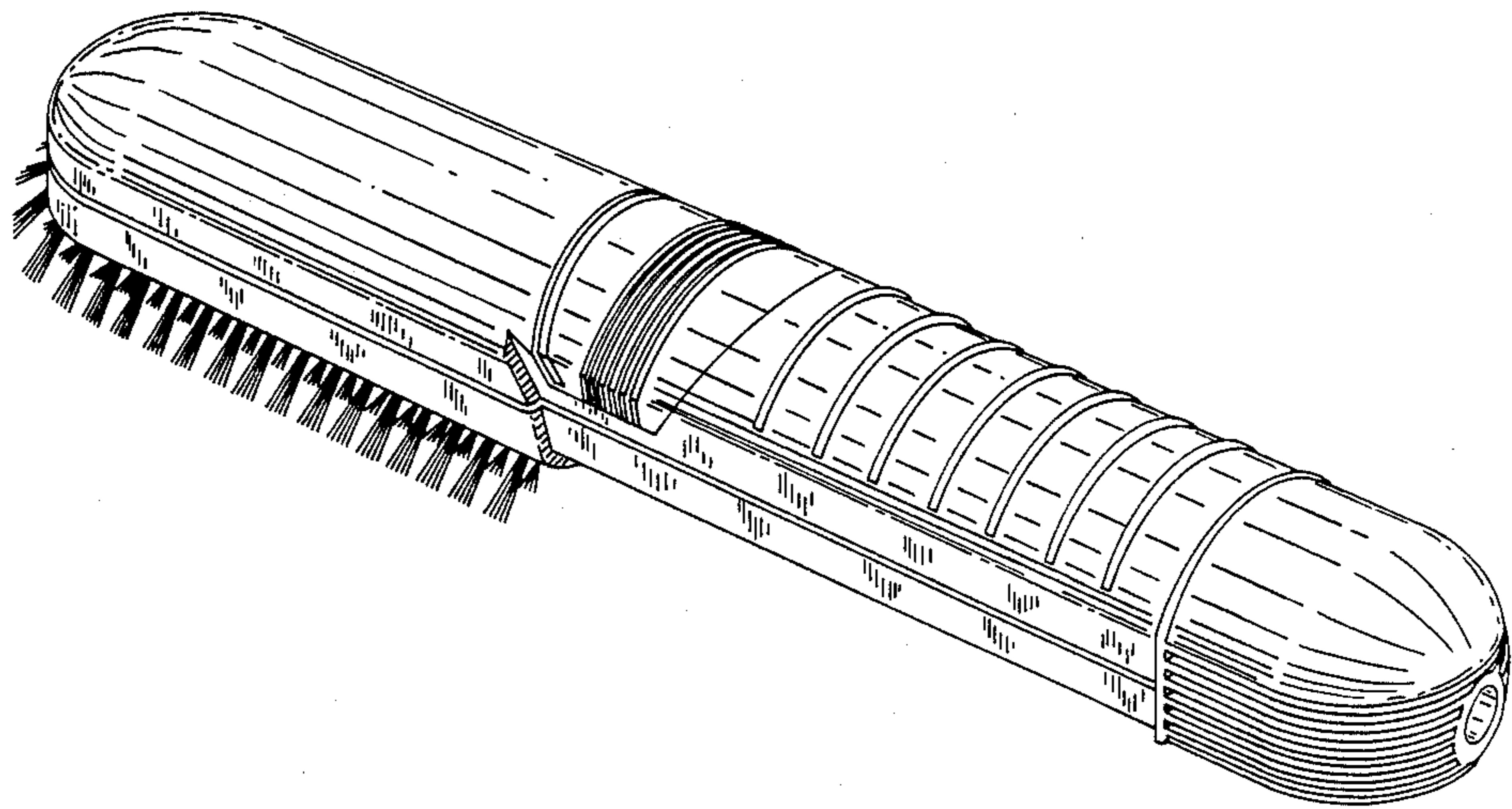


FIG. 2

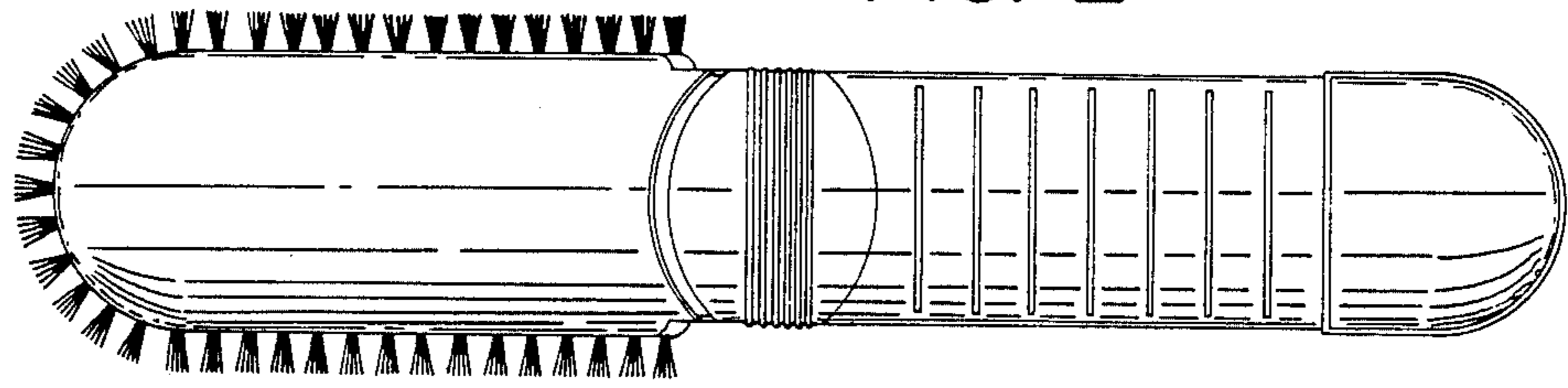


FIG. 3

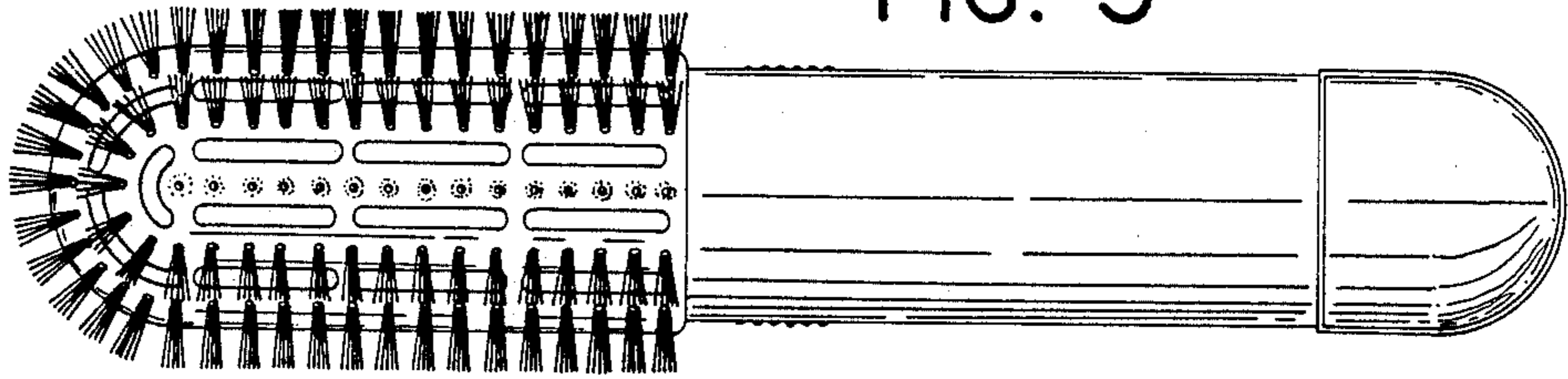


FIG. 4

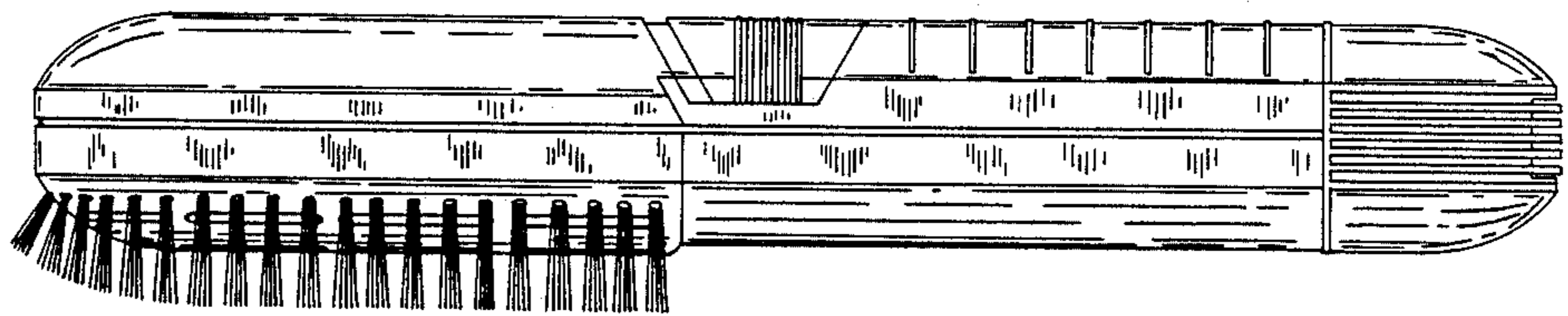


FIG. 5

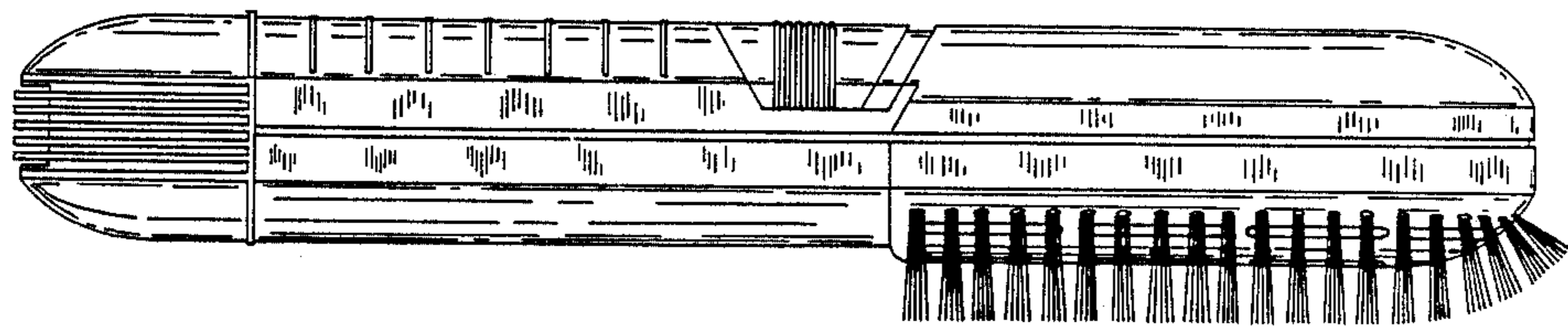


FIG. 6

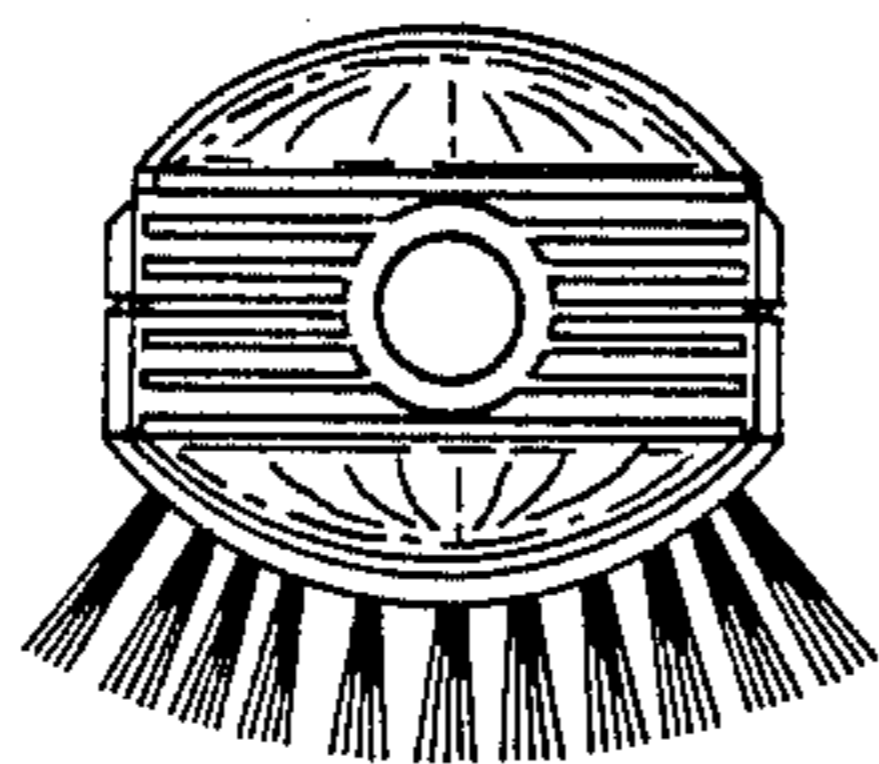


FIG. 7

