

# United States Patent [19]

Schmitt

[11] Patent Number: **Des. 299,974**

[45] Date of Patent: **\*\* Feb. 21, 1989**

[54] **ROLLER APPLICATOR FOR CREAM OR LOTION**

[75] Inventor: **Edward H. Schmitt, Glen Rock, N.J.**

[73] Assignee: **American Home Products Corporation (Del.), New York, N.Y.**

[\*\*] Term: **14 Years**

[21] Appl. No.: **902,332**

[22] Filed: **Aug. 29, 1986**

[52] U.S. Cl. .... **D28/7; D4/123; D28/10**

[58] Field of Search ..... **D28/4-8, D28/10, 99, 63, 90; D24/41, 63, 36; D4/122, 123; 132/1 R, 88.5, 88.7, DIG. 3; 401/208, 218-220**

[56] **References Cited**

## U.S. PATENT DOCUMENTS

D. 152,951	3/1949	Eldredge	.....	D24/36
D. 166,659	5/1952	Colotti	.....	D28/90
D. 178,476	8/1956	Watzulik	.....	D4/123
D. 228,967	10/1973	Holladay	.....	D24/36
D. 279,753	7/1985	Ricke	.....	D4/123 X

1,958,936	5/1934	Bajette et al.	.....	D24/41
2,867,826	1/1959	Breslaw	.....	401/208 X
2,892,202	6/1959	Williams	.....	401/20 X
3,284,839	11/1966	Cook	.....	401/208
4,168,128	9/1979	Fillmore et al.	.....	401/213

## FOREIGN PATENT DOCUMENTS

1157425	11/1983	Canada	.
85/02984	7/1985	PCT Int'l Appl.	.
2171060A	8/1986	United Kingdom	.

## OTHER PUBLICATIONS

Glamour, May 1985, Inverness Roll-On Depilatory at right (page unknown).

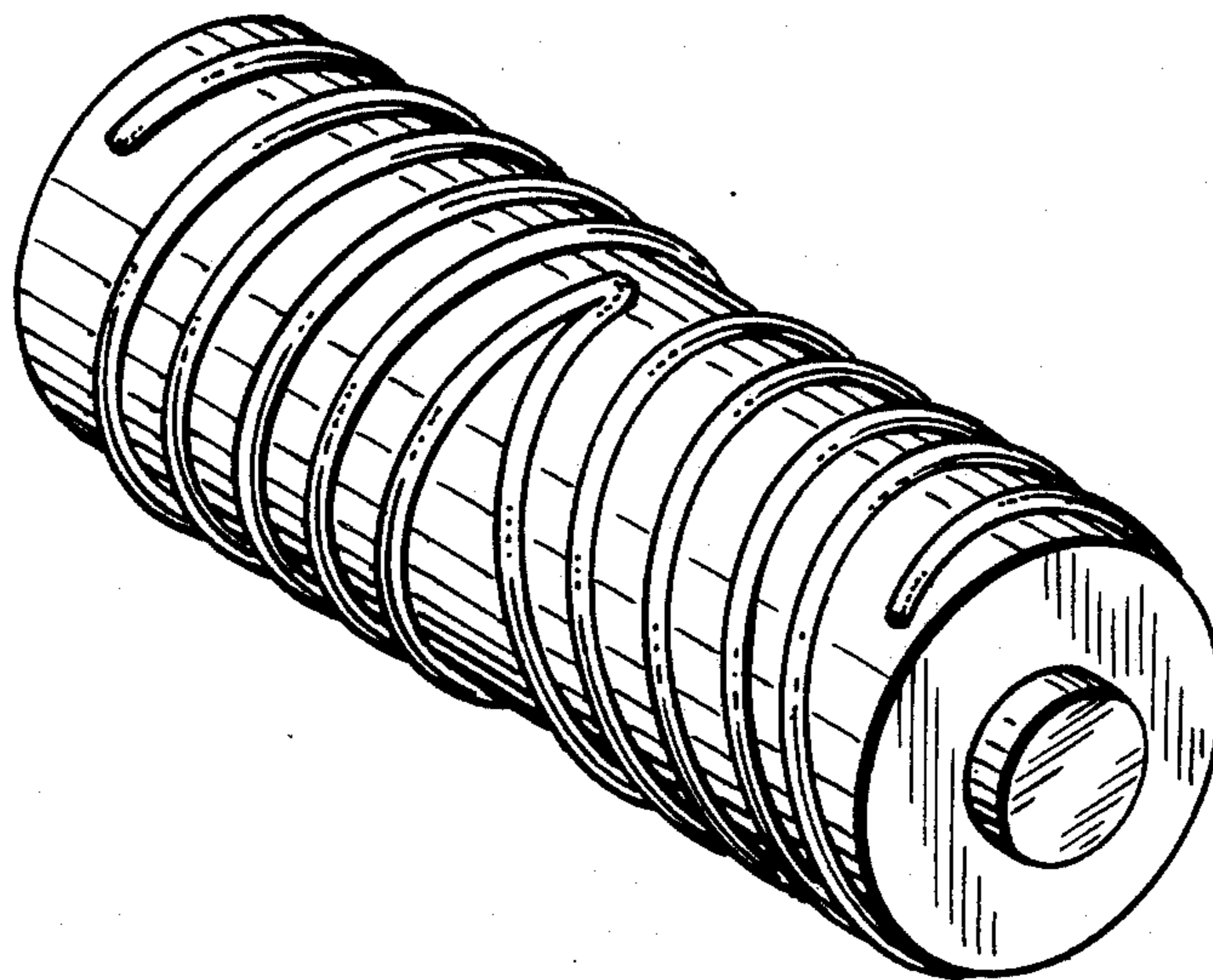
Primary Examiner—Louis S. Zarfes

## [57] CLAIM

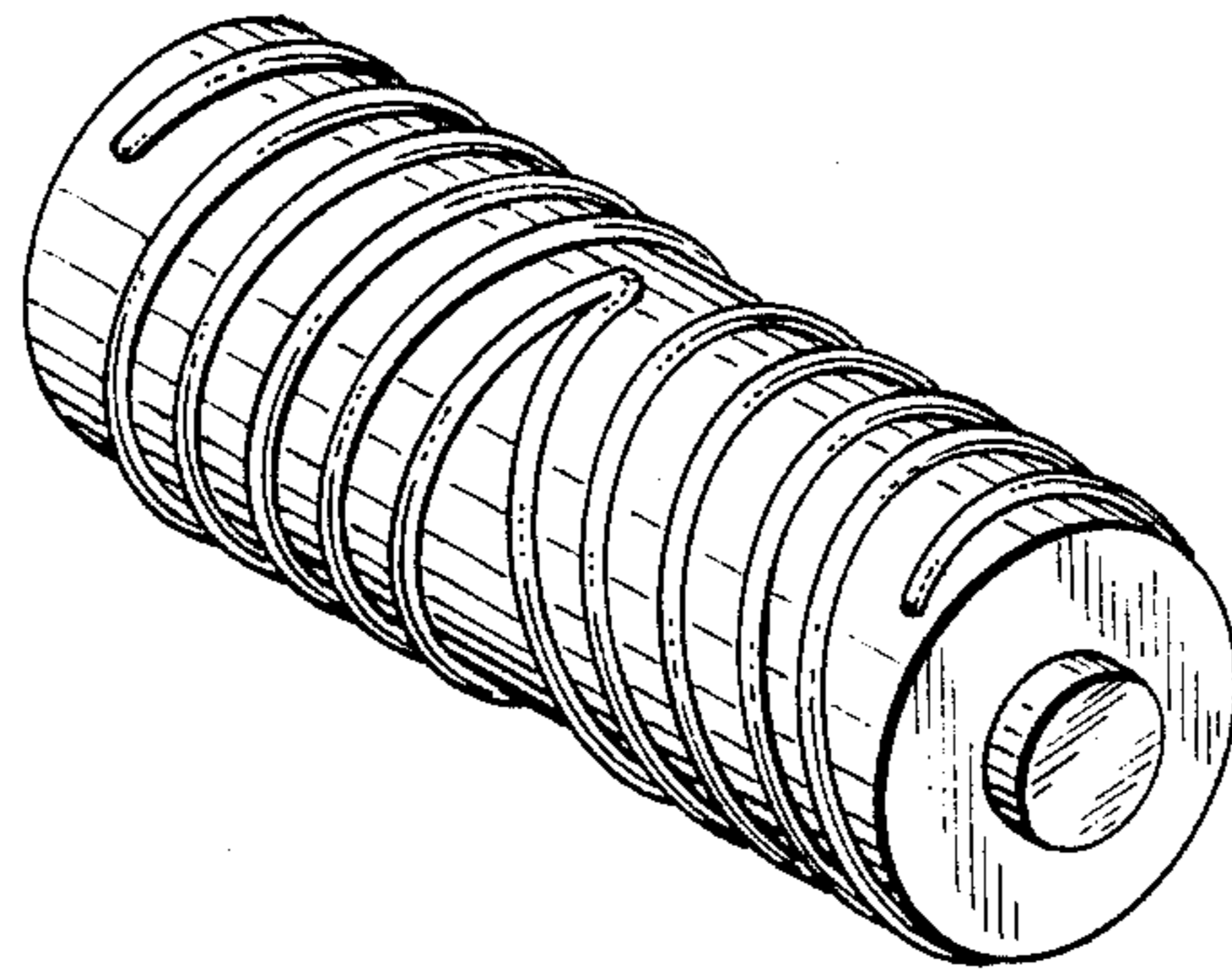
The ornamental design for a roller applicator for cream or lotion, as shown.

## DESCRIPTION

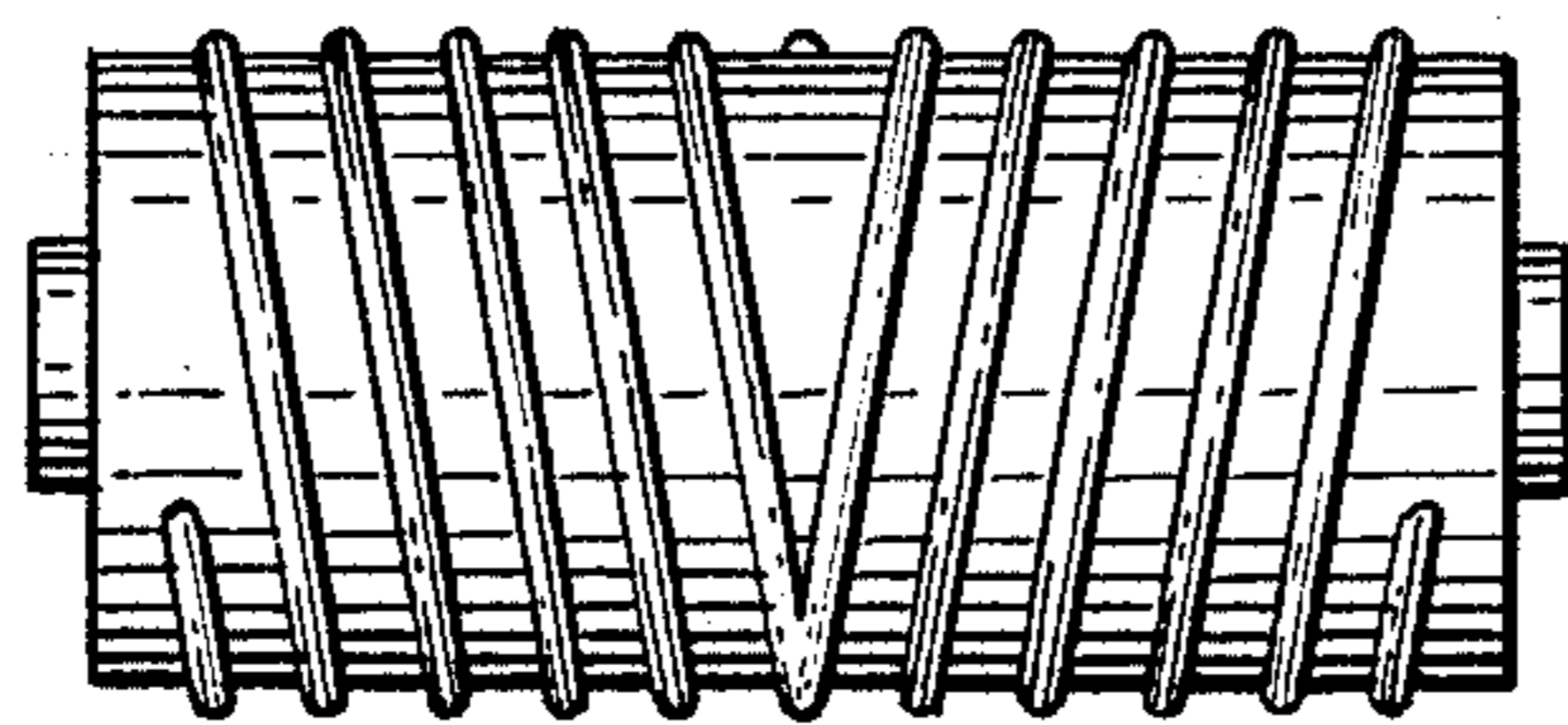
FIG. 1 is a perspective view of a roller applicator for cream or lotion showing my new design; FIG. 2 is the opposite side view from that seen in FIG. 1; and FIG. 3 is an end view.



*FIG. 1*



*FIG. 2*



*FIG. 3*

