

[54] **TILE**

[75] **Inventor: Barry P. Gilbert, Stoke-on-Trent, Great Britain**

[73] **Assignee: Daniel Platt & Sons Limited, England**

[**] **Term: 14 Years**

[21] **Appl. No.: 844,742**

[22] **Filed: Mar. 14, 1986**

[30] **Foreign Application Priority Data**

Sep. 17, 1985 [GB] United Kingdom 1029248
[52] **U.S. Cl. D25/138; D25/145**
[58] **Field of Search D25/138, 145, 157, 149, D25/162**

[56] **References Cited**

U.S. PATENT DOCUMENTS

D. 184,396 2/1959 Jenkins D25/138 X
4,177,305 12/1979 Feingold et al. D25/162 X

Primary Examiner—A. Hugo Word
Attorney, Agent, or Firm—Lalos & Keegan

[57] **CLAIM**

The ornamental design for a tile, as shown and described.

DESCRIPTION

FIG. 1 is a top front perspective view of a tile showing my new design;
FIG. 2 is a bottom perspective view thereof;
FIG. 3 is a top plan view thereof.

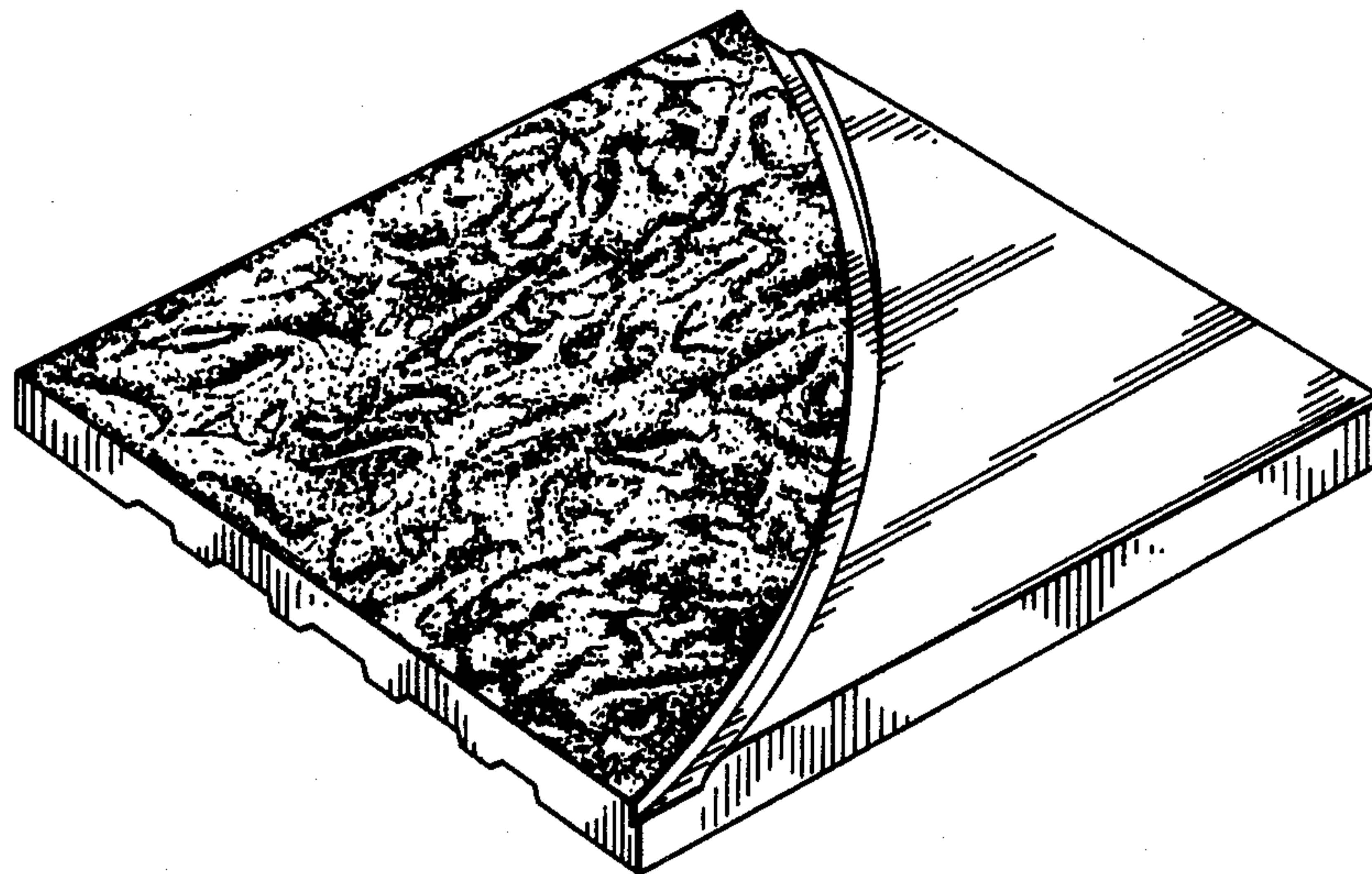


FIG. 1.

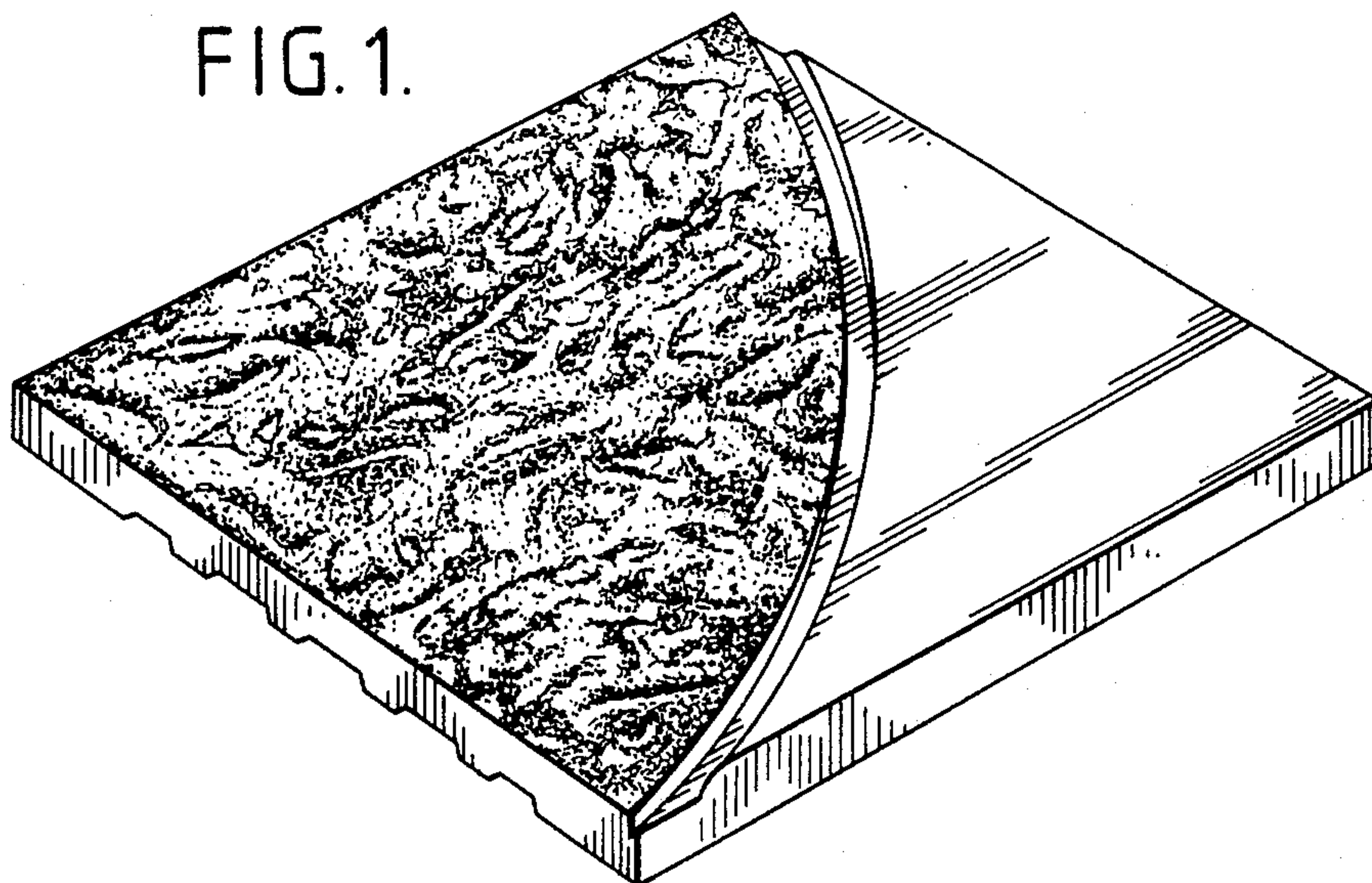


FIG. 2.

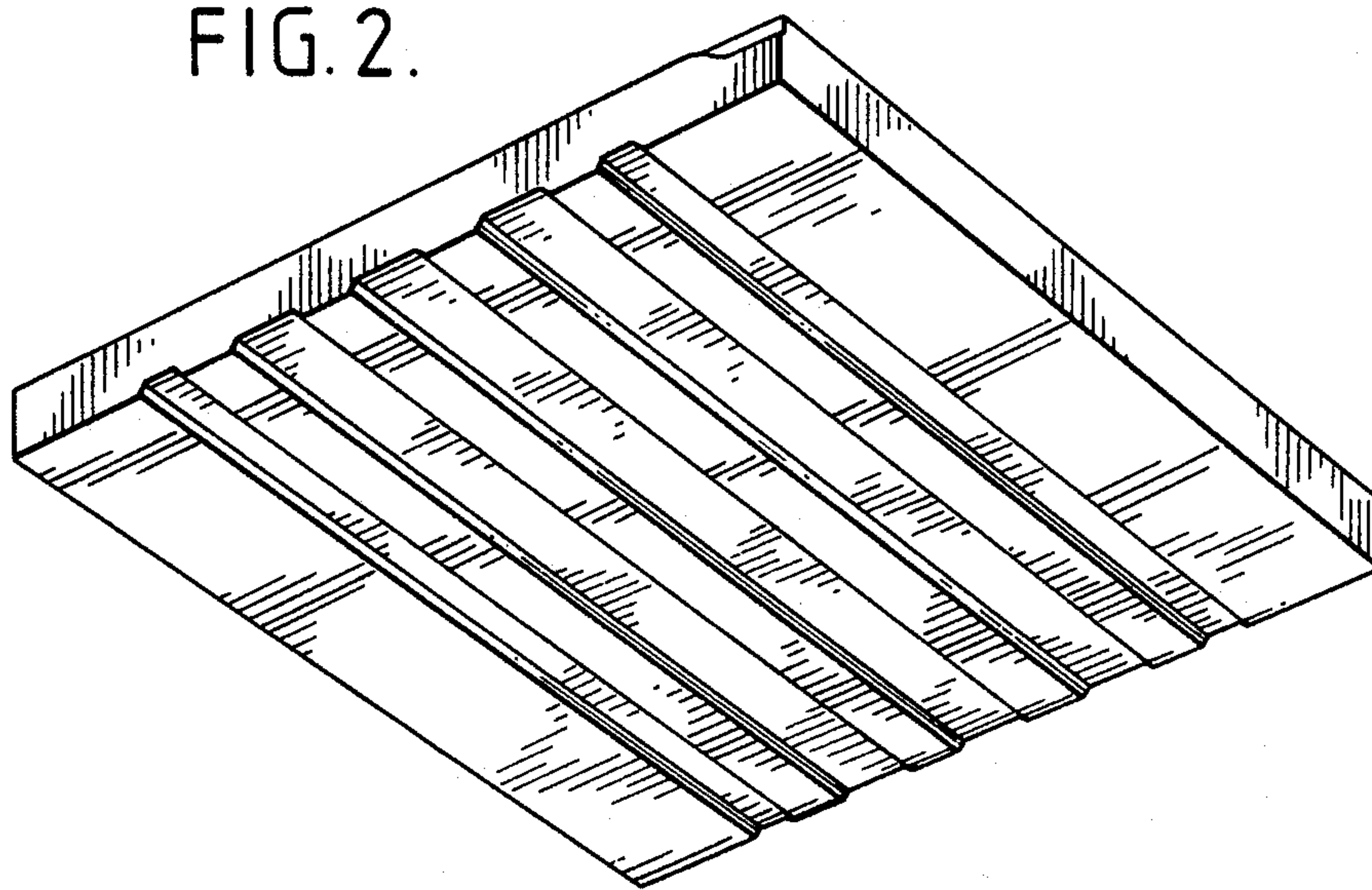


FIG. 3.

